



US00D580085S

(12) **United States Design Patent**  
**Svensson**

(10) **Patent No.:** **US D580,085 S**  
(45) **Date of Patent:** **\*\* Nov. 4, 2008**

(54) **LAMP**

D393,733 S \* 4/1998 Gaskins et al. .... D26/67  
D556,938 S \* 12/2007 Russello et al. .... D26/89

(75) Inventor: **Helena Tatjana Svensson**, Johanneshov  
(SE)

(73) Assignee: **Louis Poulsen Lighting A/S**,  
Copenhagen K (DK)

(\*\*) Term: **14 Years**

(21) Appl. No.: **29/287,276**

(22) Filed: **Jul. 18, 2007**

(51) **LOC (8) Cl.** ..... **26-05**

(52) **U.S. Cl.** ..... **D26/71; D26/87; D26/92**

(58) **Field of Classification Search** ..... D26/67-71,  
D26/85, 87, 92; 362/145, 183, 431, 545,  
362/800

See application file for complete search history.

(56) **References Cited**

**U.S. PATENT DOCUMENTS**

D201,700 S \* 7/1965 Stockwell ..... D26/71  
D210,907 S \* 4/1968 Villa ..... D26/68  
D236,909 S \* 9/1975 Richilano ..... D26/68  
D239,861 S \* 5/1976 Steenhoven ..... D26/71  
D313,483 S \* 1/1991 Blake ..... D26/71  
D381,106 S \* 7/1997 Brohard et al. .... D26/67  
D385,643 S \* 10/1997 Brohard et al. .... D26/71

**OTHER PUBLICATIONS**

“Morgon” pendant light on p. 309 of the 2005 Ikea catalog.\*  
<http://www.focus-lighting.dk/showproduct.php?productId=25>;  
NYX Stander H 1000 MM; design: Vilhelm Lauritzen AS.

\* cited by examiner

*Primary Examiner*—Clare E Heflin

(74) *Attorney, Agent, or Firm*—Jacobson Holman PLLC

(57) **CLAIM**

The ornamental design for a lamp, as shown and described.

**DESCRIPTION**

FIG. 1 is a front perspective view showing my new design for a lamp,

FIG. 2 is a bottom perspective view thereof,

FIG. 3 is a front view thereof,

FIG. 4 is a rear view thereof,

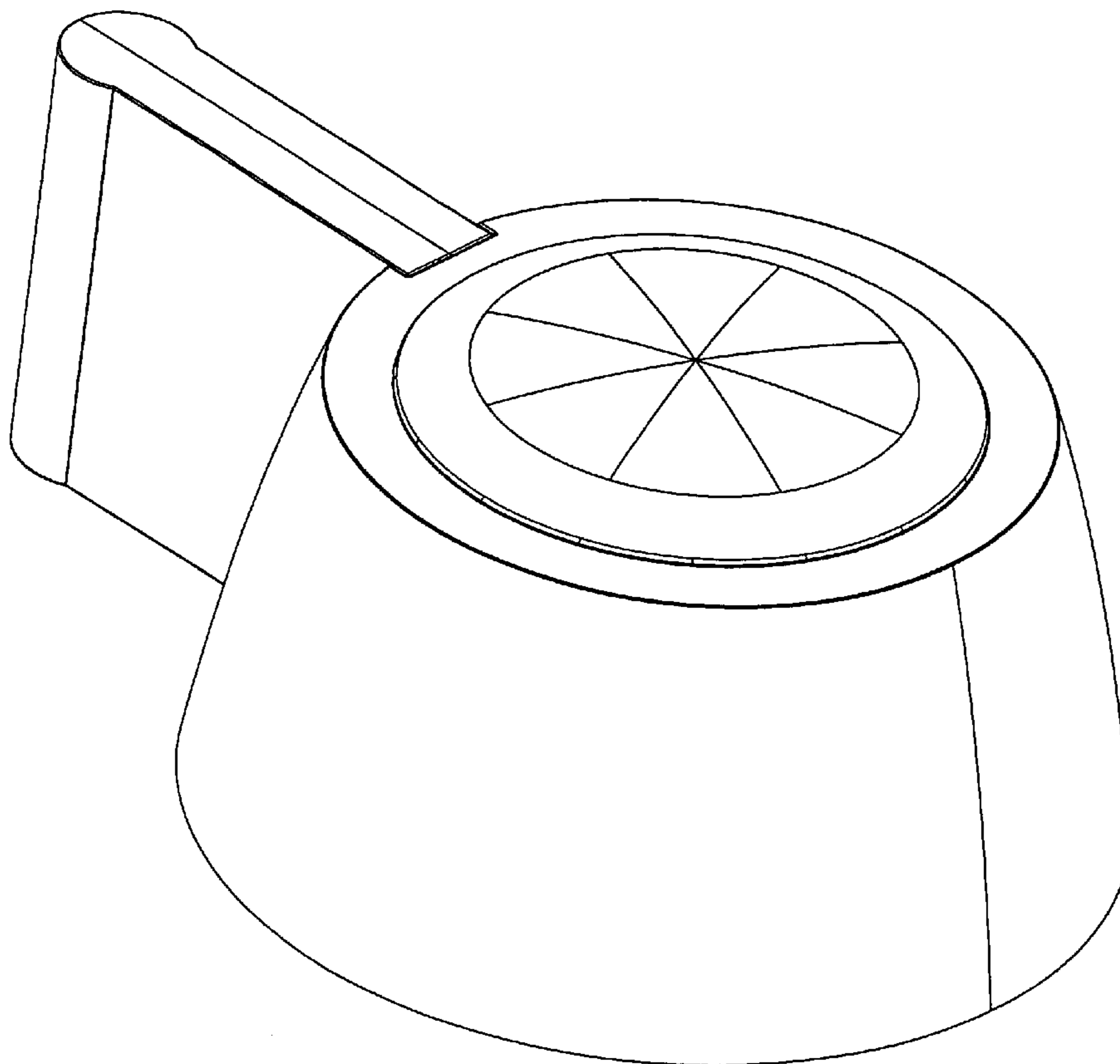
FIG. 5 is a left side view thereof,

FIG. 6 is a right side view thereof,

FIG. 7 is a top view thereof; and,

FIG. 8 is a bottom view thereof.

**1 Claim, 8 Drawing Sheets**



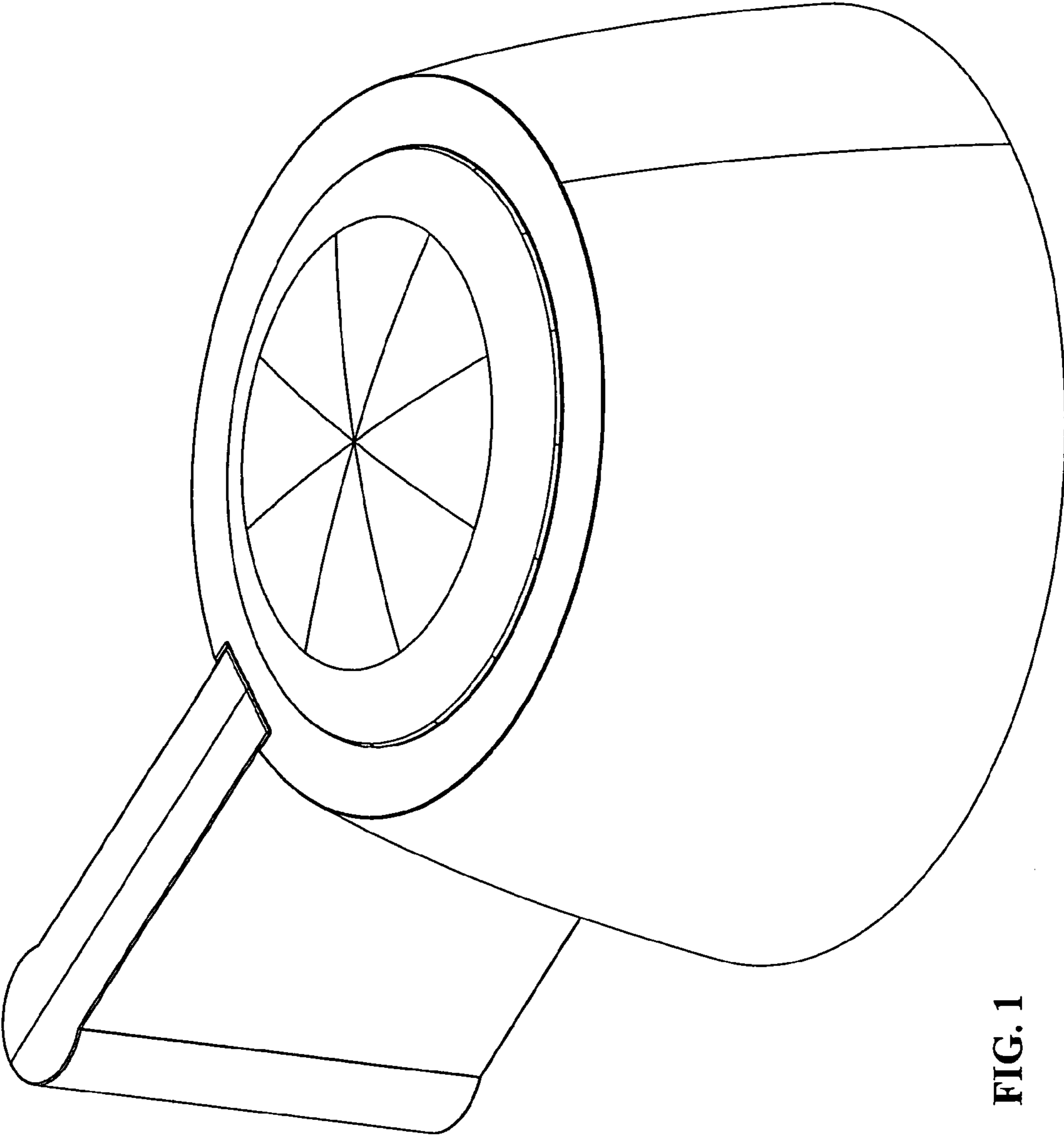


FIG. 1

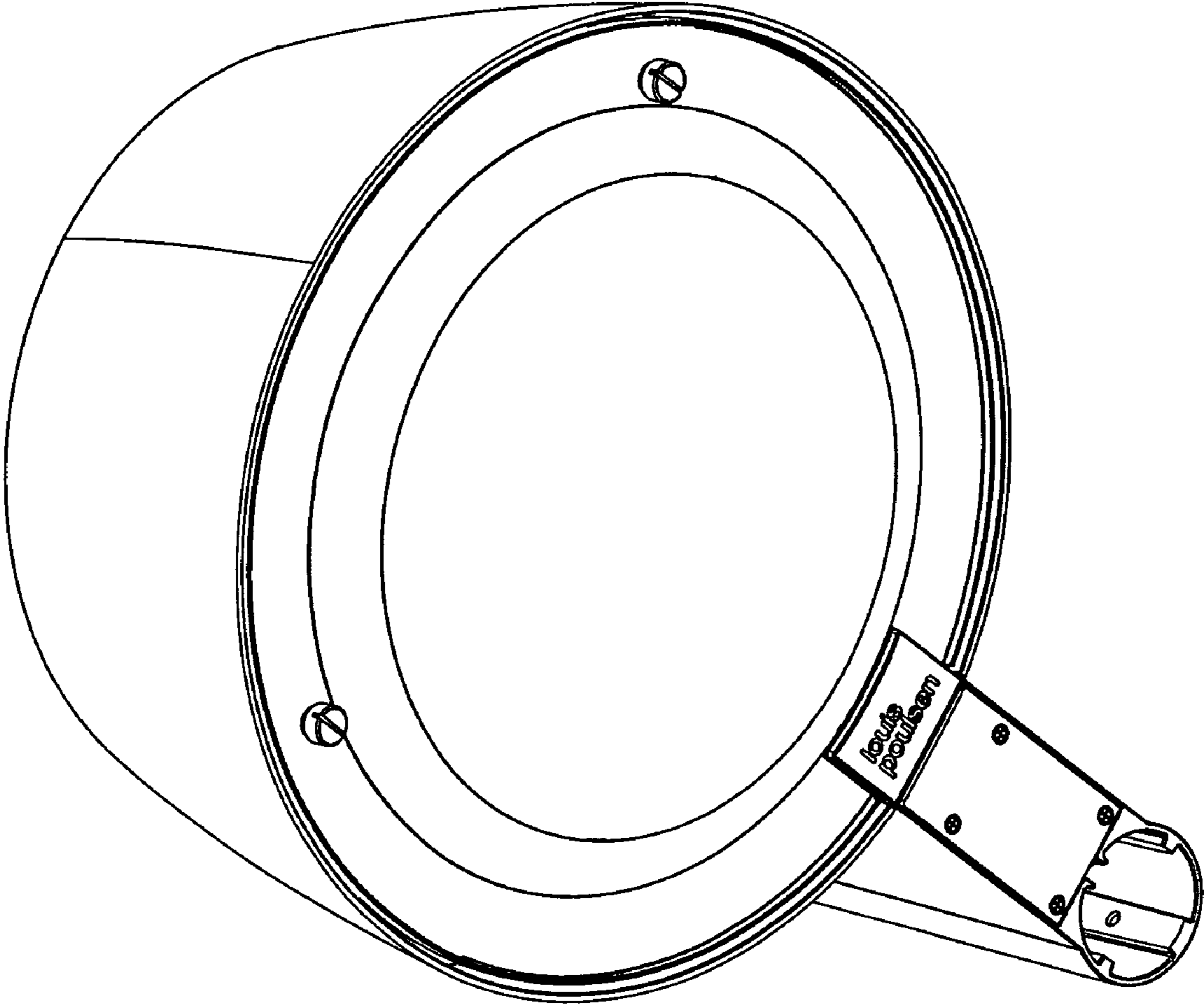


FIG. 2

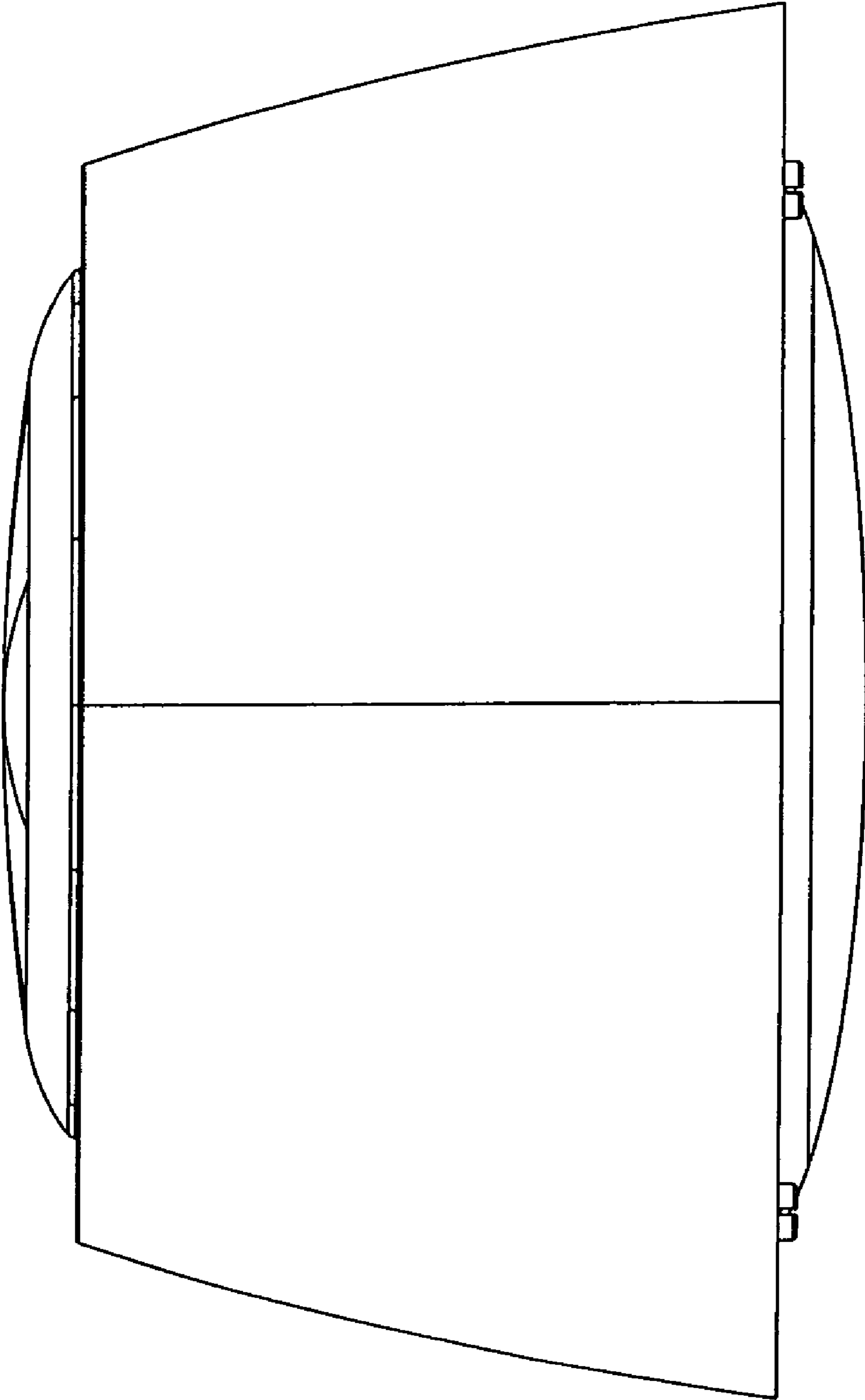


FIG. 3

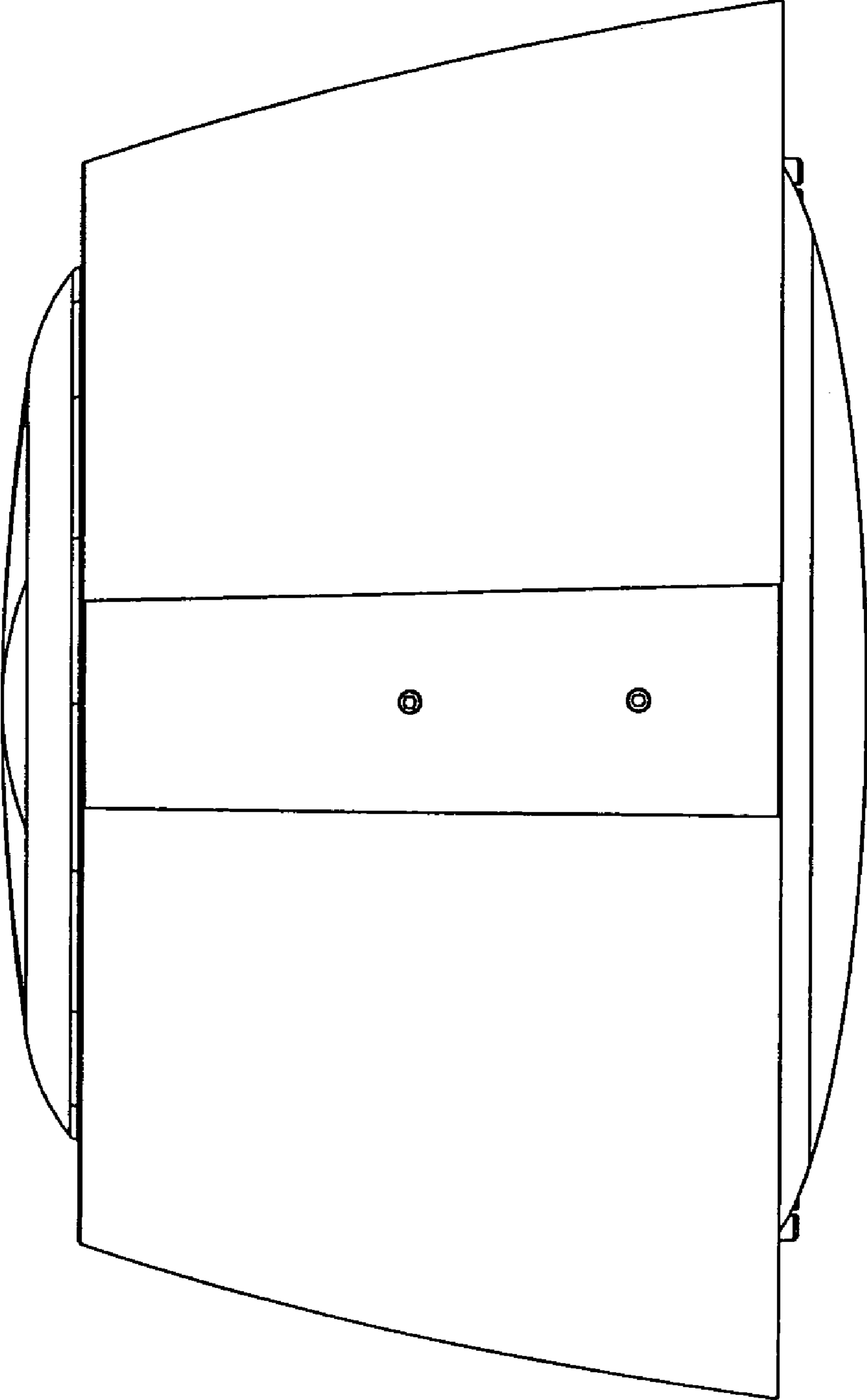


FIG. 4

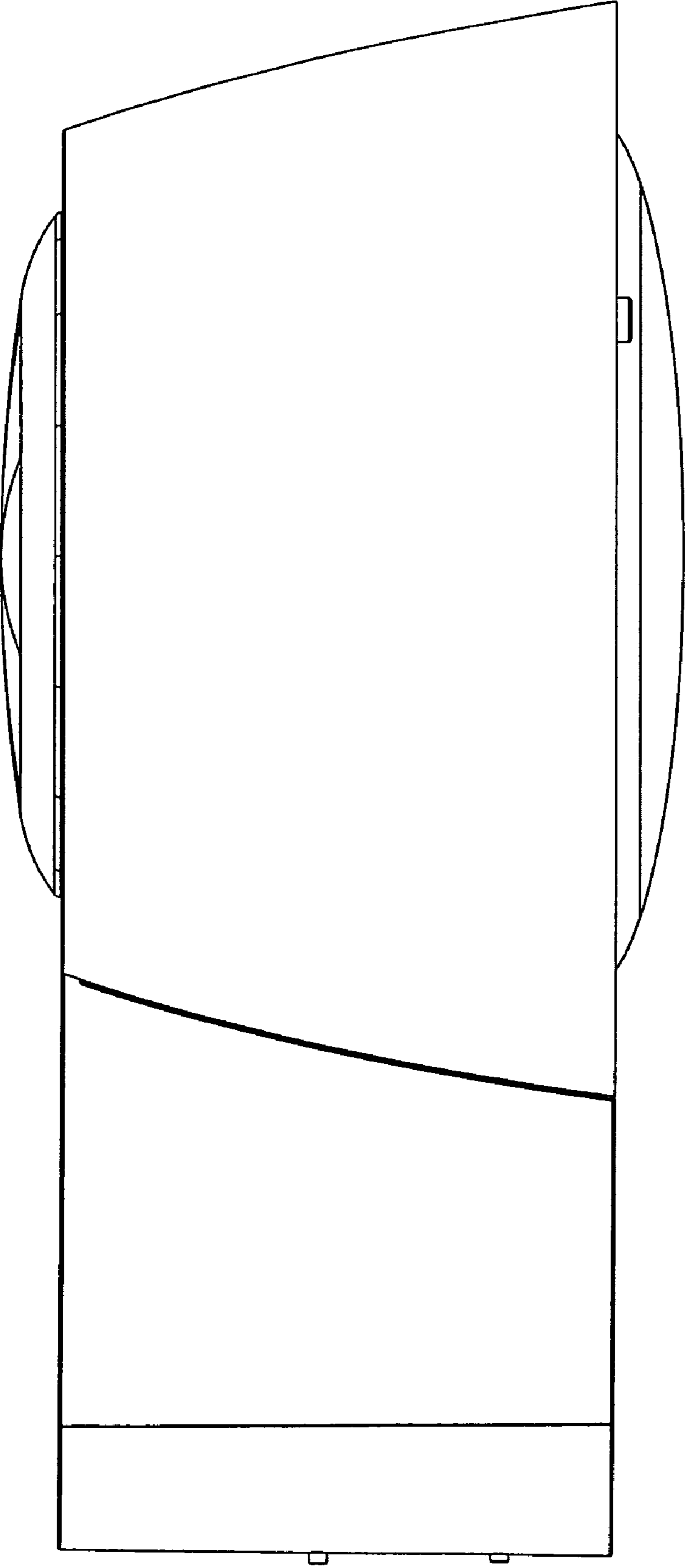


FIG. 5

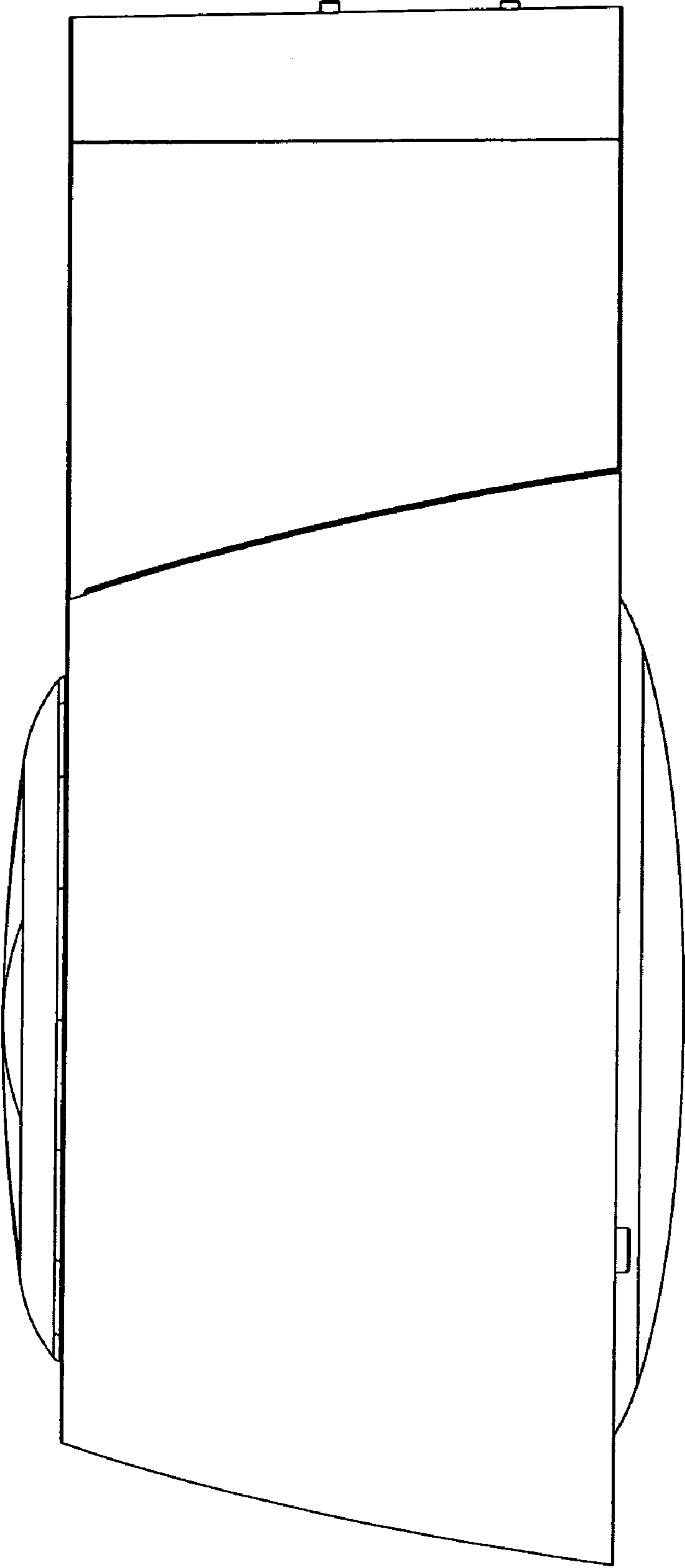


FIG. 6

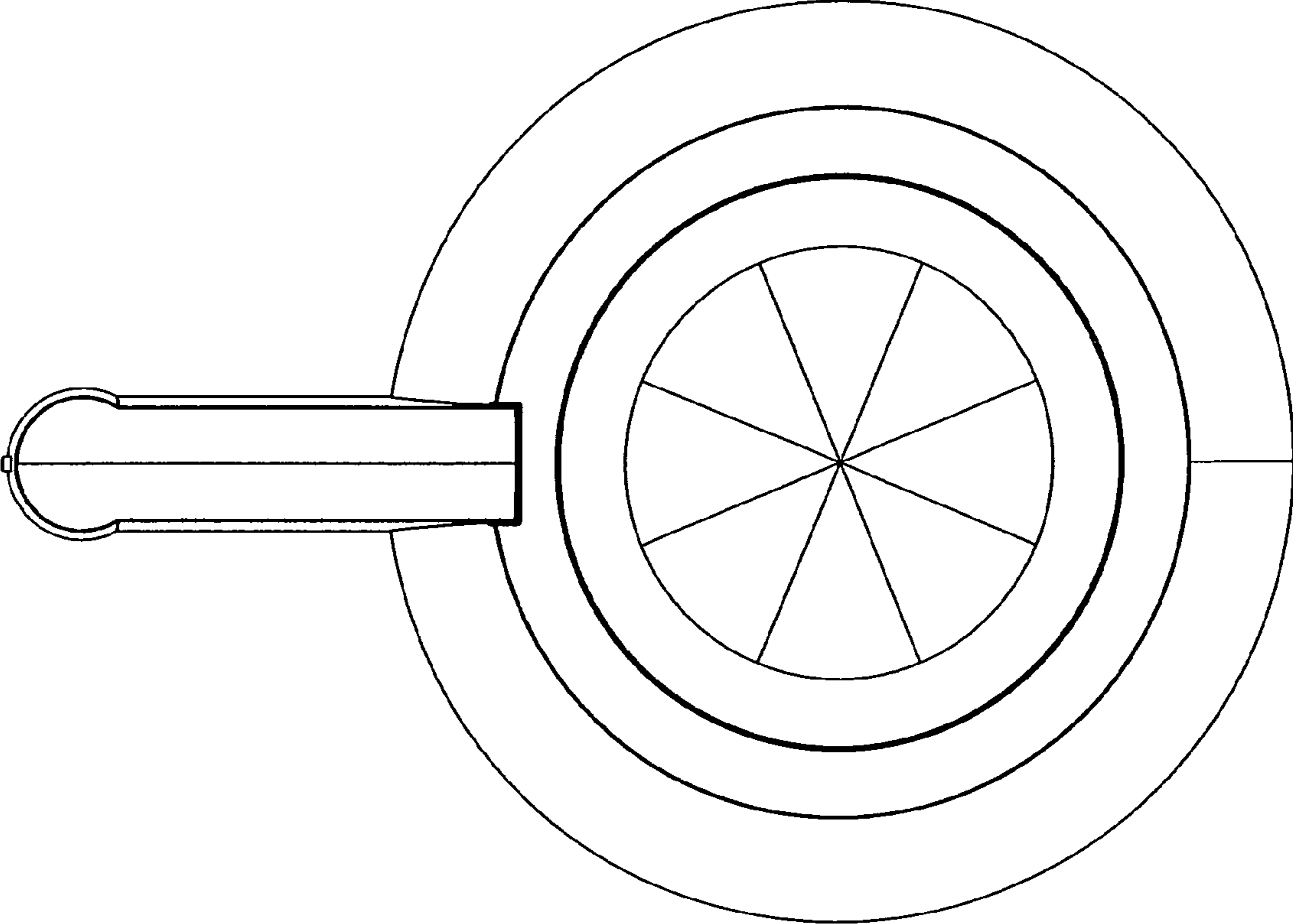


FIG. 7



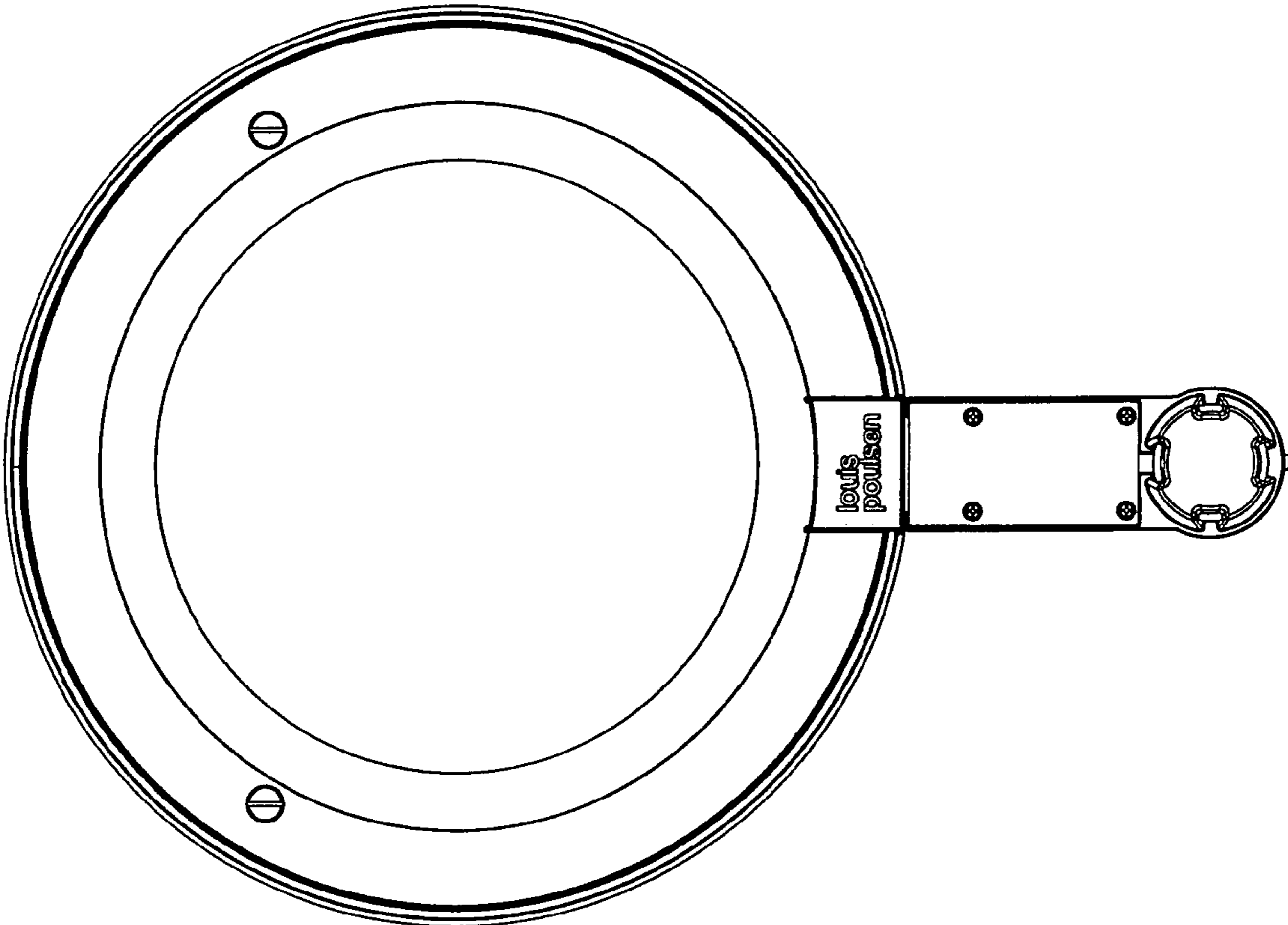


FIG. 8