



US00D580082S

(12) **United States Design Patent**
Zemar

(10) **Patent No.:** **US D580,082 S**

(45) **Date of Patent:** **** Nov. 4, 2008**

(54) **SOLAR FLAG LIGHT**

(76) **Inventor:** **Raymond A. Zemar**, 2833 S. Eleanor St., Chicago, IL (US) 60608

(**) **Term:** **14 Years**

(21) **Appl. No.:** **29/266,261**

(22) **Filed:** **Sep. 15, 2006**

(51) **LOC (8) Cl.** **26-05**

(52) **U.S. Cl.** **D26/63**

(58) **Field of Classification Search** D26/61-66,
D26/72, 51, 113, 118, 119; 362/101, 147,
362/157, 159, 187, 190, 267, 269, 270, 277,
362/275, 278, 282, 285, 287, 288, 290, 404,
362/410, 413, 418, 419, 427, 428, 429, 430,
362/640, 647, 648, 652, 653, 655

See application file for complete search history.

(56) **References Cited**

U.S. PATENT DOCUMENTS

5,599,091	A *	2/1997	Kira	362/269
5,651,606	A *	7/1997	Krogman	362/96
D414,579	S *	9/1999	Denison et al.	D26/68
D417,519	S *	12/1999	Cutler	D26/63
D492,053	S *	6/2004	Graves et al.	D26/51
D494,536	S *	8/2004	Pu	D13/102
D531,748	S *	11/2006	Sanoner	D26/68
D535,584	S *	1/2007	Garrett	D11/181
D542,959	S *	5/2007	Yao	D26/68
2004/0201996	A1 *	10/2004	Weber	362/374

* cited by examiner

Primary Examiner—Cathron Brooks

Assistant Examiner—Barbara Fox

(74) *Attorney, Agent, or Firm*—Ober/Kaler; Royal W. Craig

(57) **CLAIM**

The ornamental design for a solar flag light, as shown and described.

DESCRIPTION

The design of the present invention and as shown in FIGS. 1-8 is an ornamental solar flag light.

FIG. 1 is a right side perspective view of a solar flag light according to my new design.

FIG. 2 is a bottom left-side perspective view of the solar flag light of FIG. 1.

FIG. 3 is a bottom right-side perspective view of the solar flag light of FIGS. 1-2;

FIG. 4 is a top view of the solar flag light of FIGS. 1-3

FIG. 5 is an inside view of the solar flag light of FIGS. 1-4.

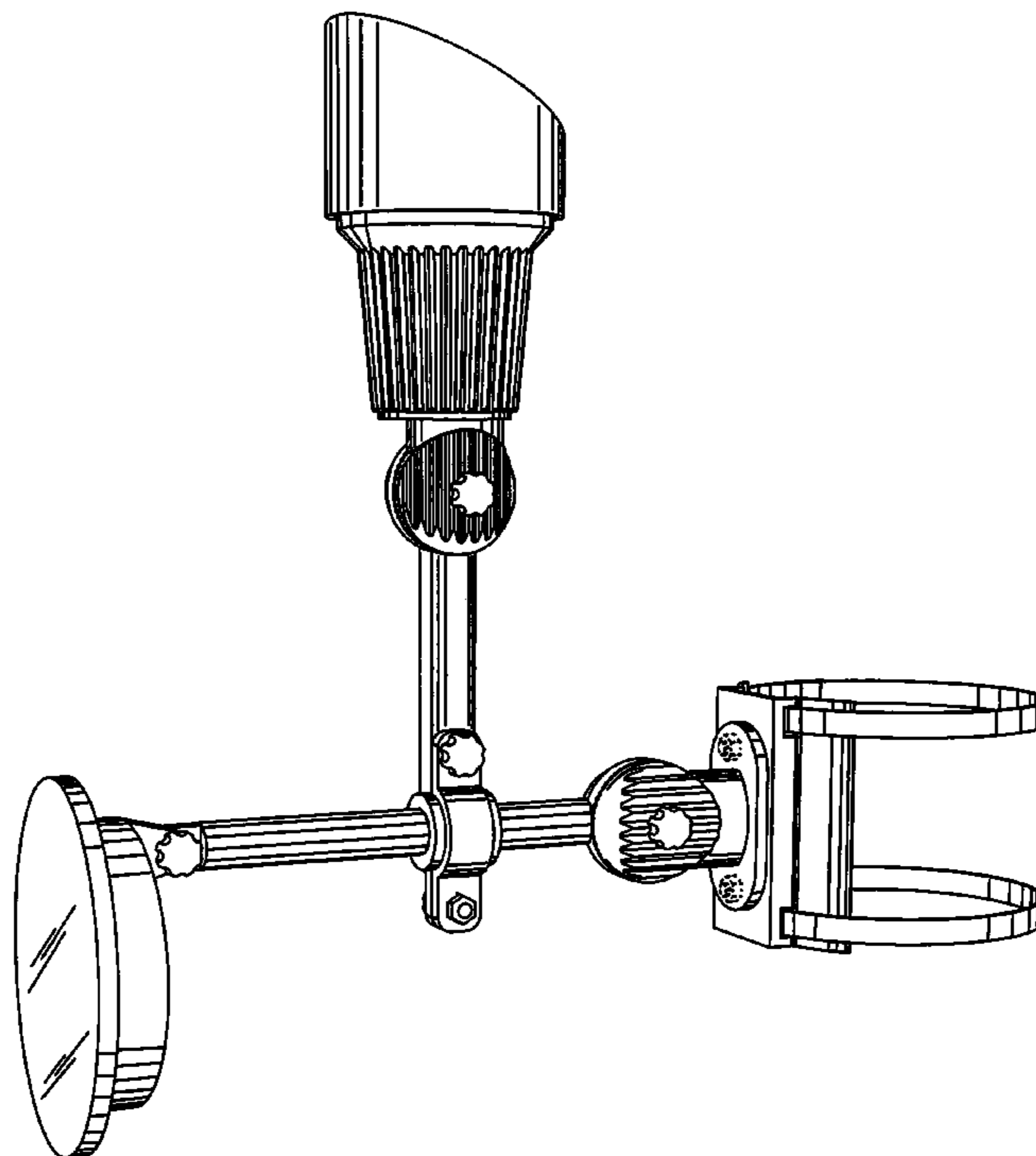
FIG. 6 is a bottom view of the solar flag light of FIGS. 1-5.

FIG. 7 is a left side perspective view of the solar flag light of FIGS. 1-6; and,

FIG. 8 is a right side perspective view of the solar flag light of FIGS. 1-7.

The broken lines shown in the drawings are for the purposes of illustrating portions of the solar flag light and form no part of the claim.

1 Claim, 8 Drawing Sheets



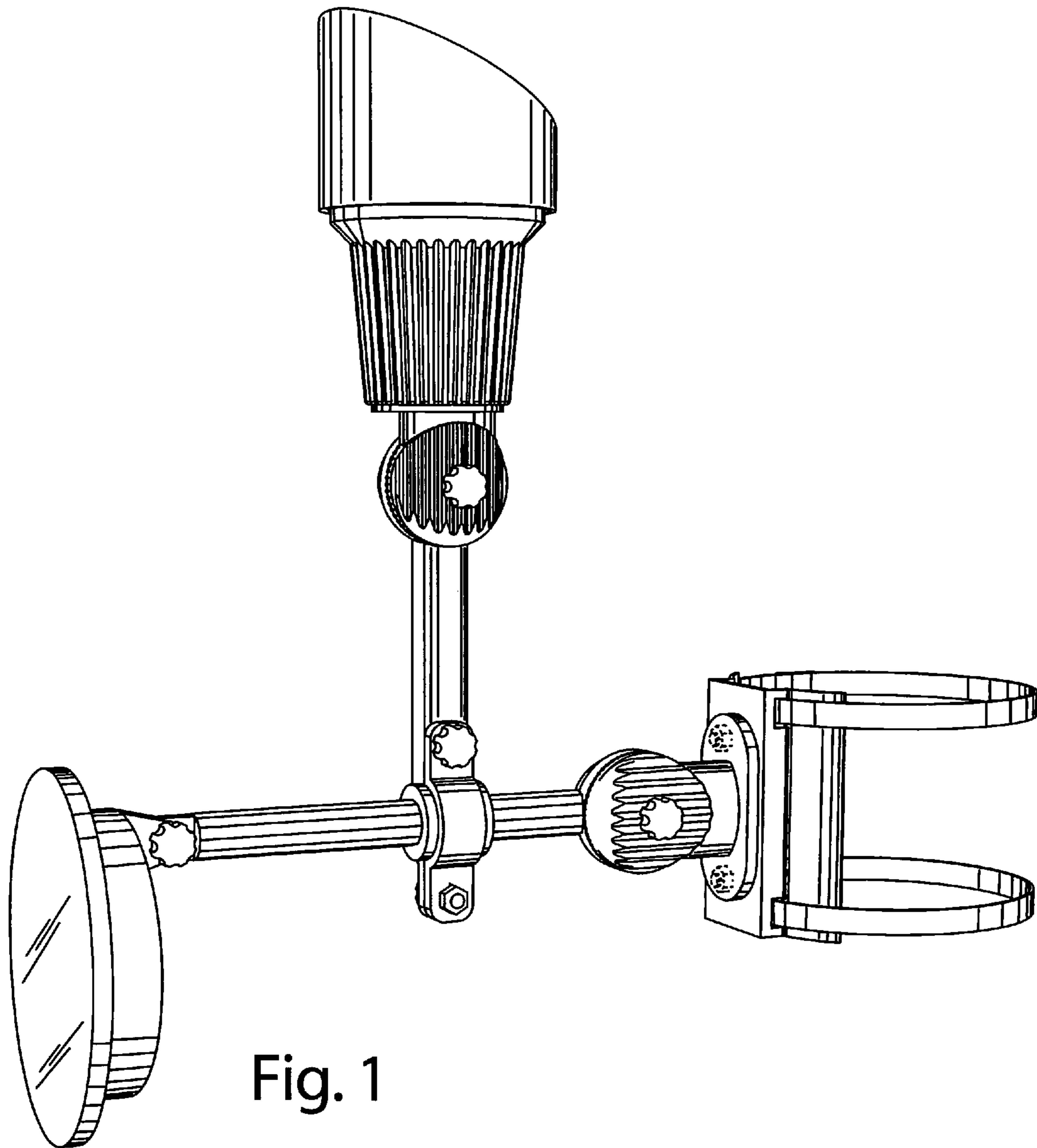


Fig. 1

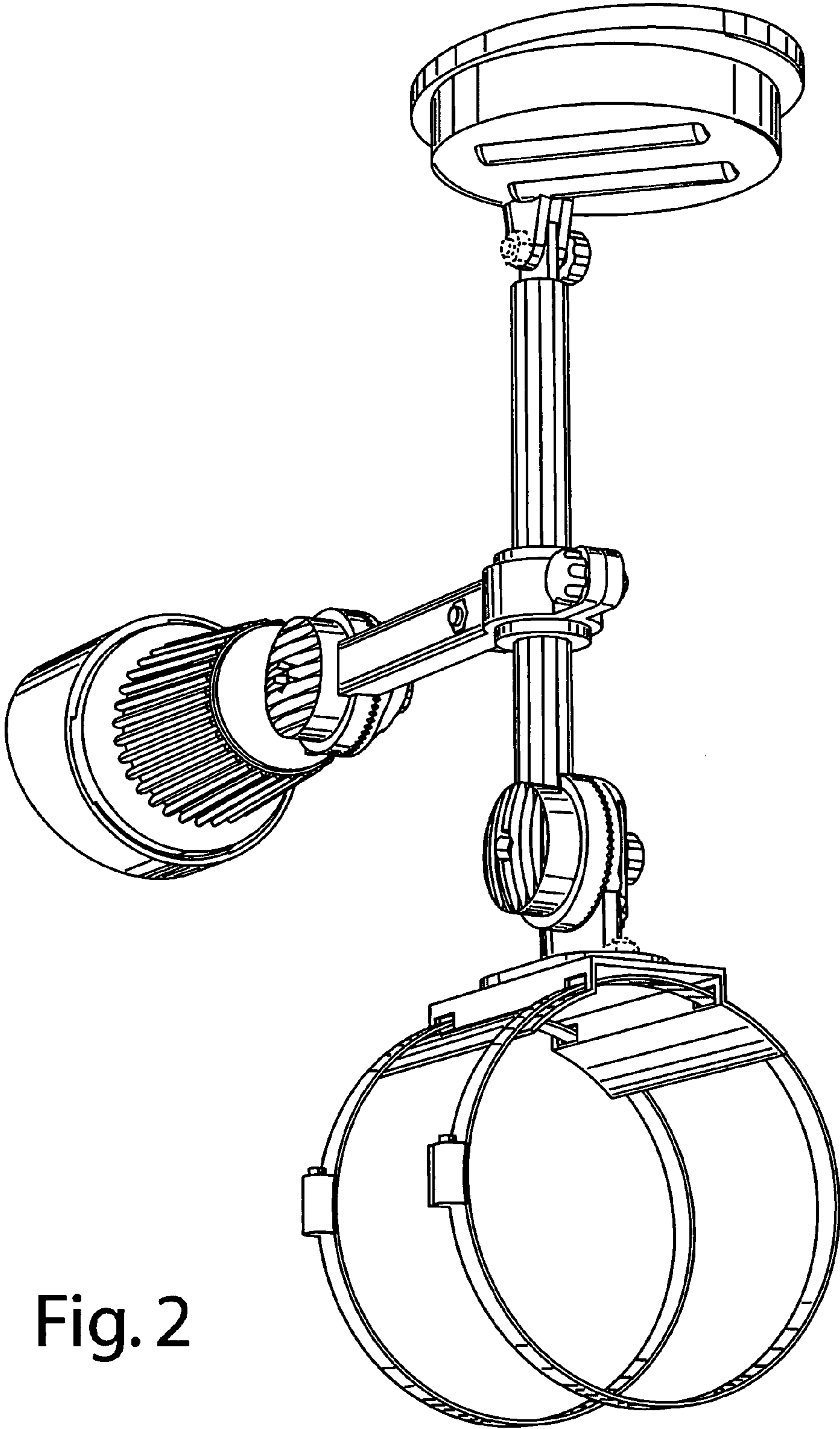


Fig. 2

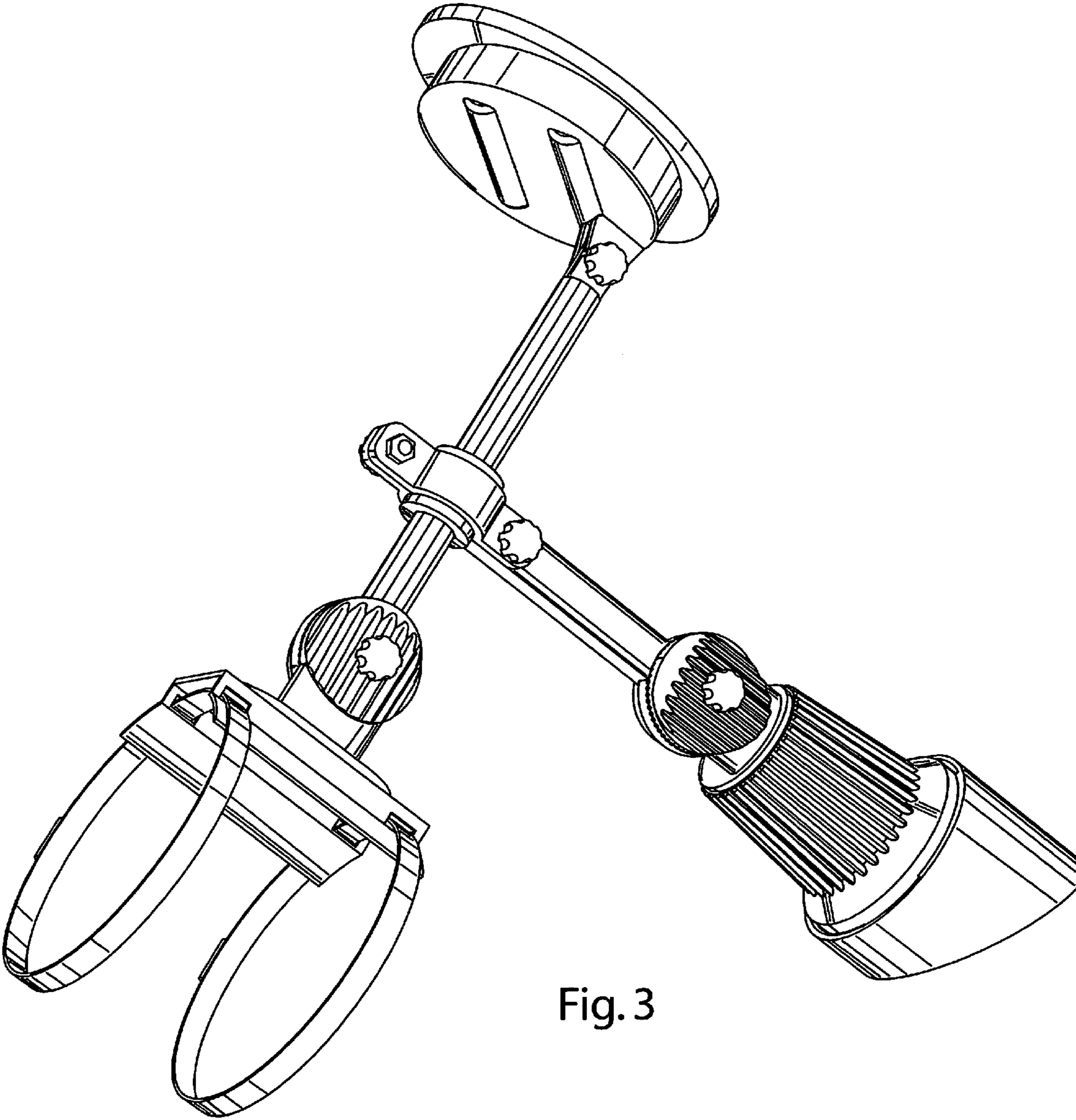


Fig. 3

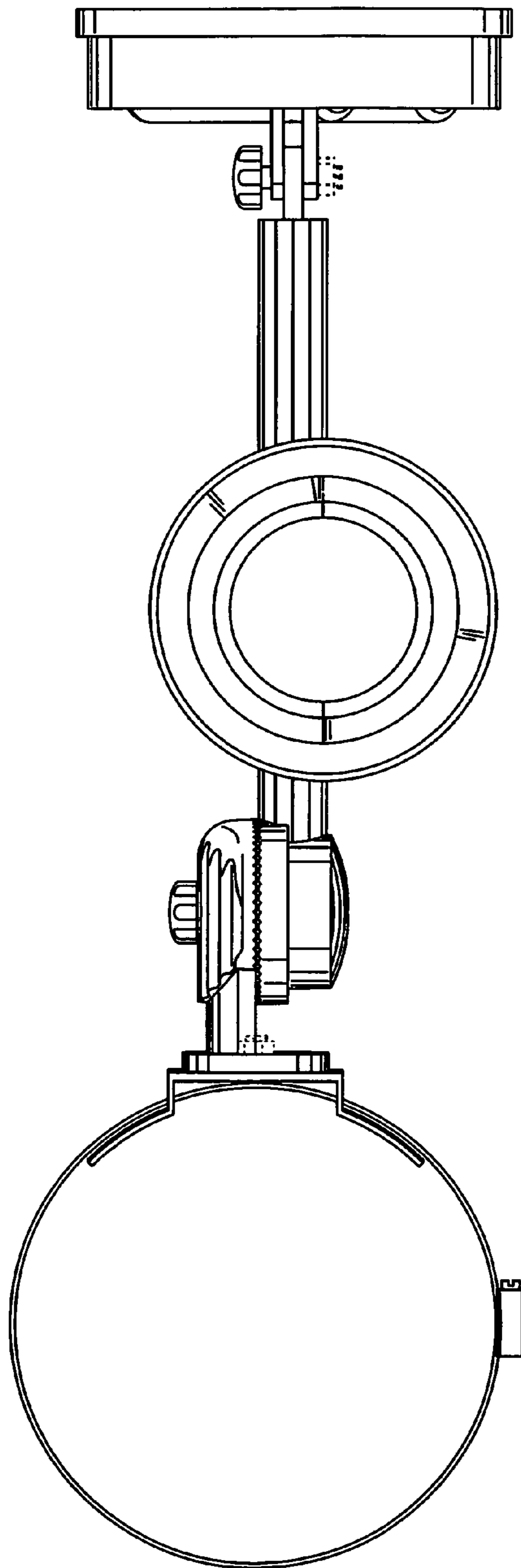


Fig. 4

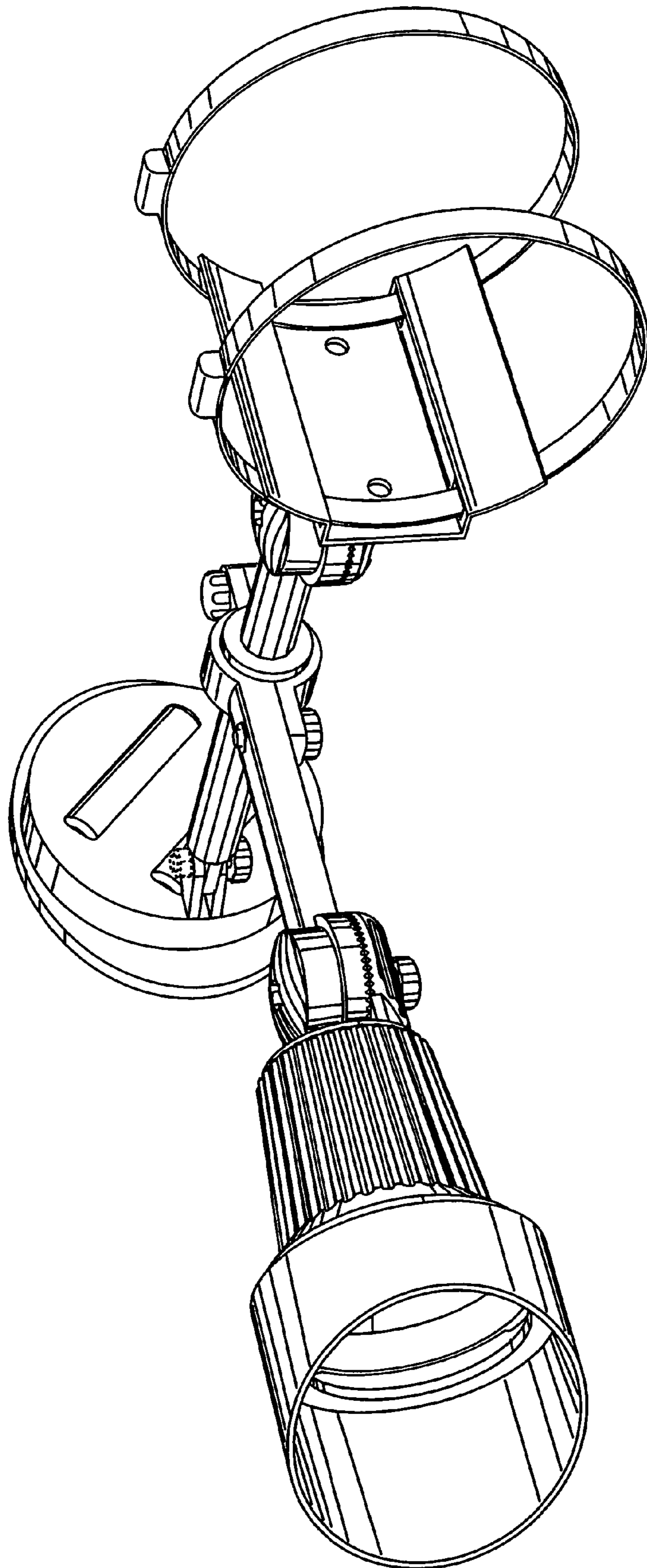


Fig. 5

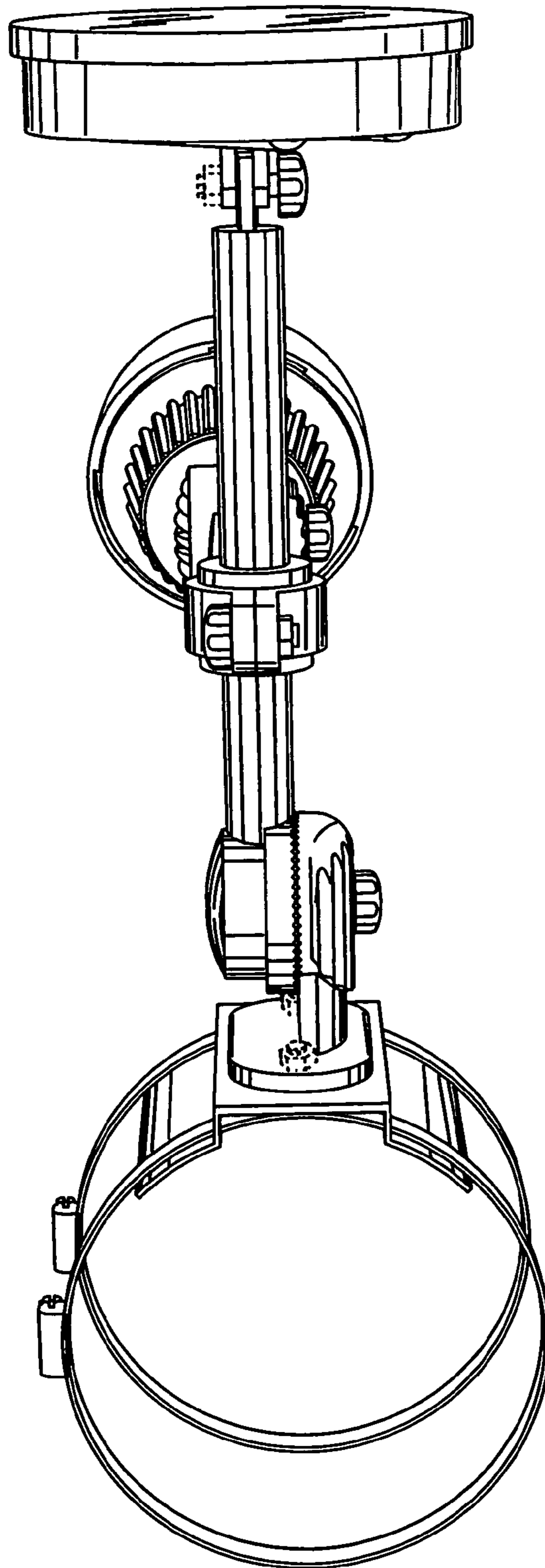


Fig. 6

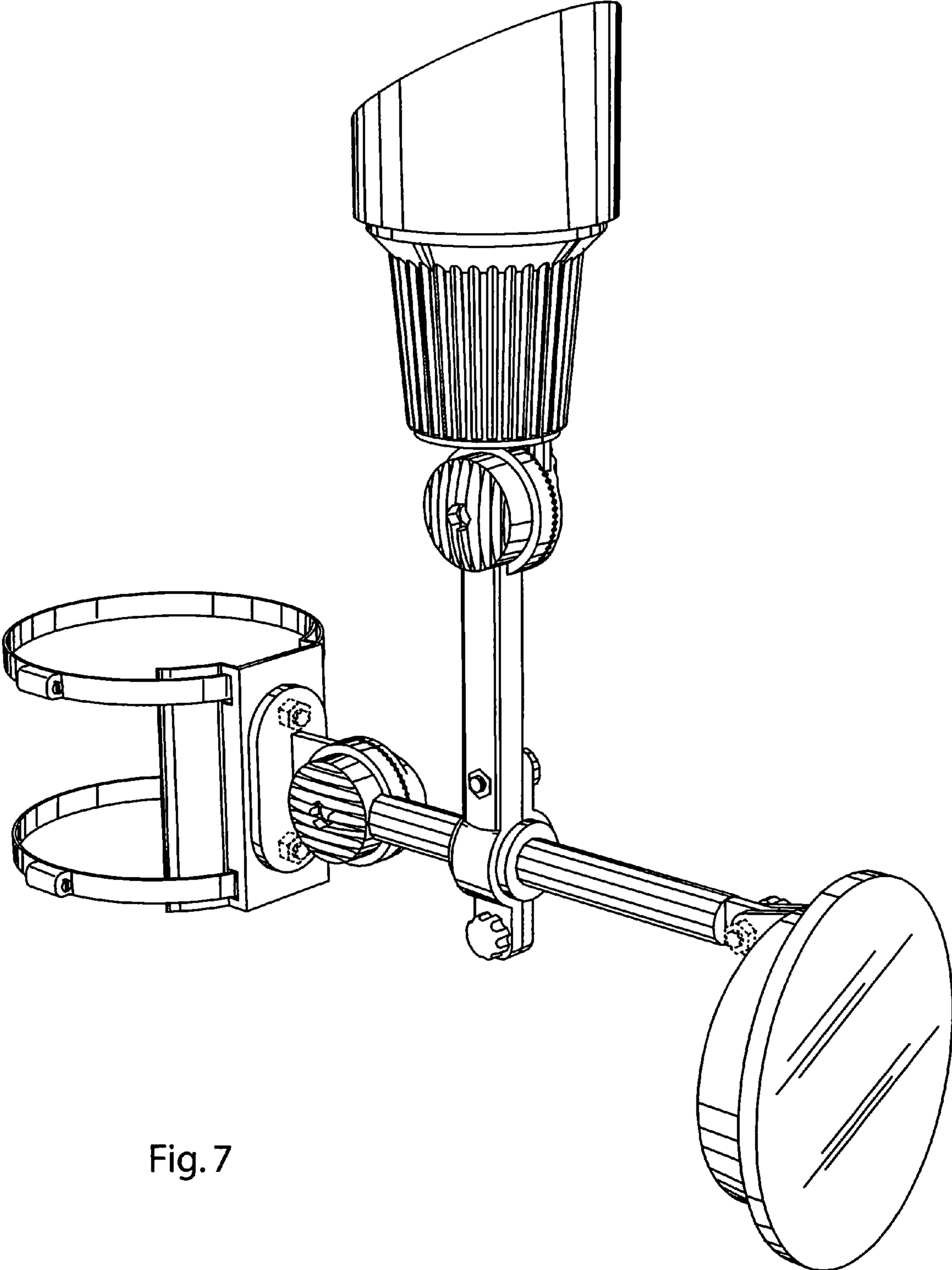


Fig. 7

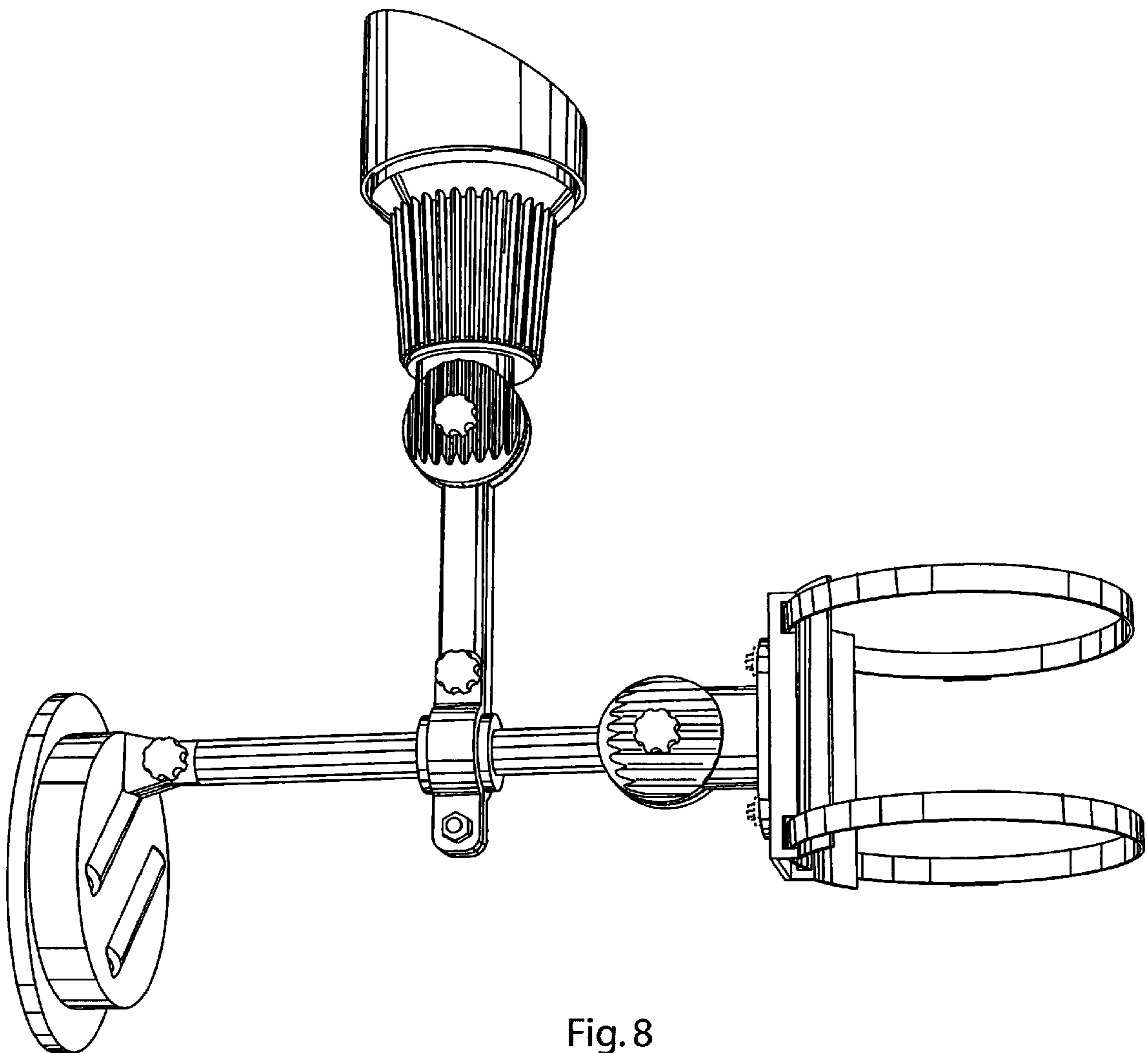


Fig. 8