



US00D580081S

(12) **United States Design Patent**
Herper et al.

(10) **Patent No.:** **US D580,081 S**

(45) **Date of Patent:** **** Nov. 4, 2008**

(54) **LIGHTING APPARATUS ATTACHABLE TO FURNITURE HINGE**

2008/0115327 A1* 5/2008 Eberl et al. 16/382

* cited by examiner

(75) Inventors: **Markus Herper**, Muehltal (DE); **Boris Kruedener**, Dramstadt (DE)

Primary Examiner—Cathron Brooks

Assistant Examiner—Barbara Fox

(73) Assignee: **Mepla-Werke Lautenschlaeger GmbH & Co. KG**, Reinheim (DE)

(57) **CLAIM**

The ornamental design for a lighting apparatus attachable to furniture hinge, as shown and described.

(**) Term: **14 Years**

(21) Appl. No.: **29/295,028**

DESCRIPTION

(22) Filed: **Sep. 20, 2007**

FIG. 1 is a plan view of the front of the lighting apparatus attachable to furniture hinge.

(30) **Foreign Application Priority Data**

FIG. 2 is a plan view of the rear of the lighting apparatus attachable to furniture hinge.

Mar. 22, 2007 (DE) 4 07 01 573

FIG. 3 is a plan view of the left side of the lighting apparatus attachable to furniture hinge.

(51) **LOC (8) Cl.** **26-05**

(52) **U.S. Cl.** **D26/60**

(58) **Field of Classification Search** D26/60-66,
D26/72, 85; 362/102, 240, 157-159, 183,
362/101, 431, 367

FIG. 4 is a plan view of the right side of the lighting apparatus attachable to furniture hinge.

See application file for complete search history.

FIG. 5 is a plan view of the top of the lighting apparatus attachable to furniture hinge.

(56) **References Cited**

U.S. PATENT DOCUMENTS

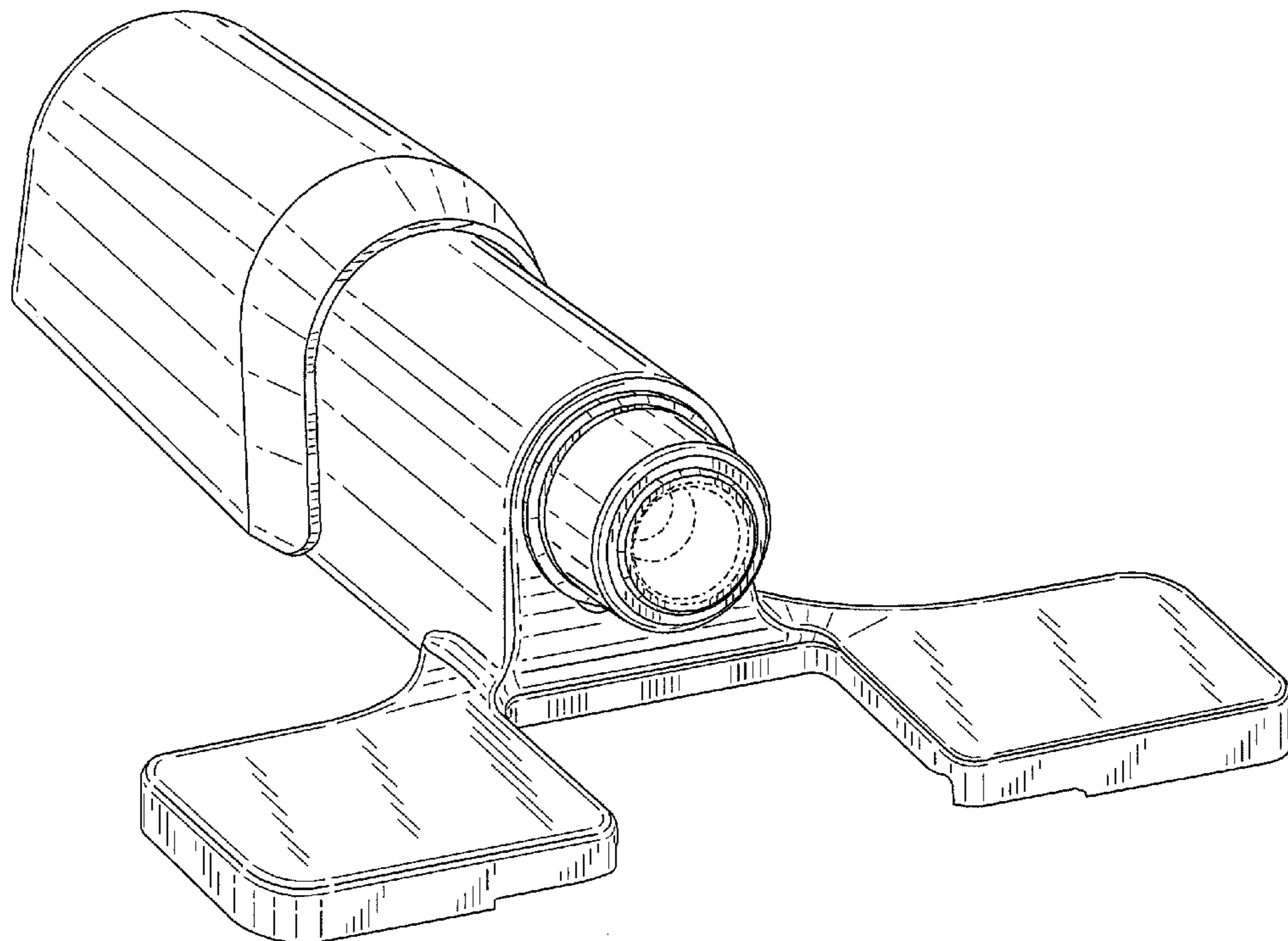
D80,251 S * 12/1929 von Nessen D26/72
D293,720 S * 1/1988 Witte D26/63
D296,015 S * 5/1988 Falconer et al. D26/72
D510,374 S * 10/2005 Greenwood et al. D16/203
2005/0157488 A1* 7/2005 Ford et al. 362/105
2007/0157429 A1* 7/2007 Gallasch et al. 16/238

FIG. 6 is a plan view of the bottom of the lighting apparatus attachable to furniture hinge; and,

FIG. 7 is a perspective front right view of the lighting apparatus attachable to furniture hinge.

The broken lines shown in the drawings are for the purpose of illustrating portions of the lighting apparatus attachable to furniture hinge and form no part of the claimed design.

1 Claim, 6 Drawing Sheets



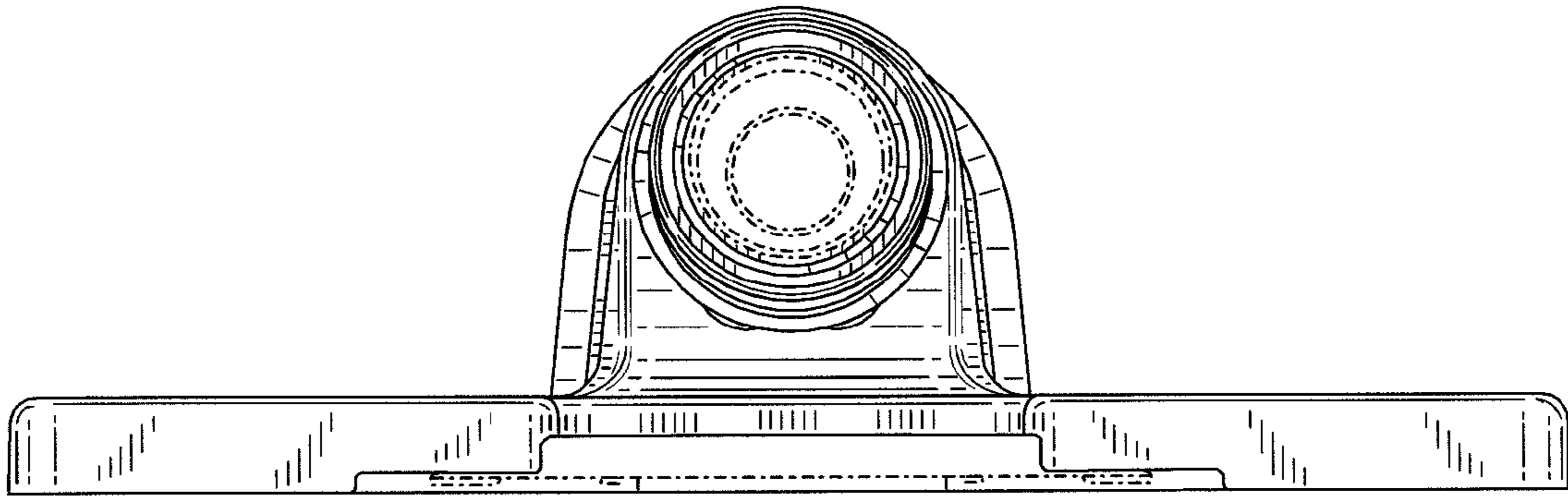


FIG. 1

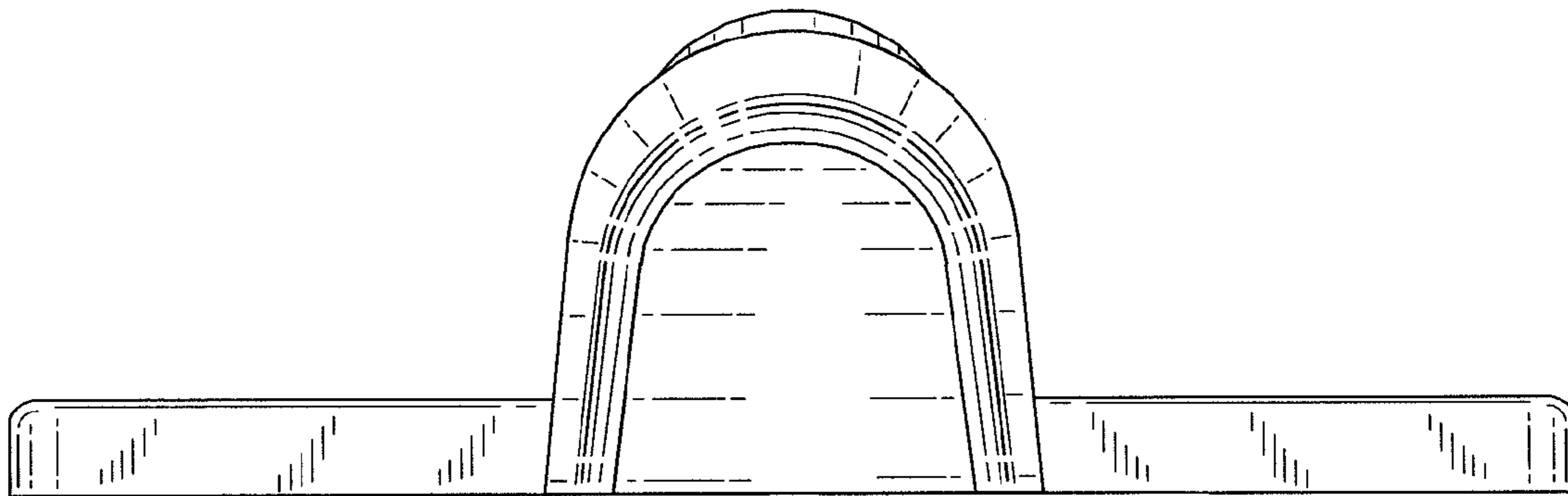


FIG. 2

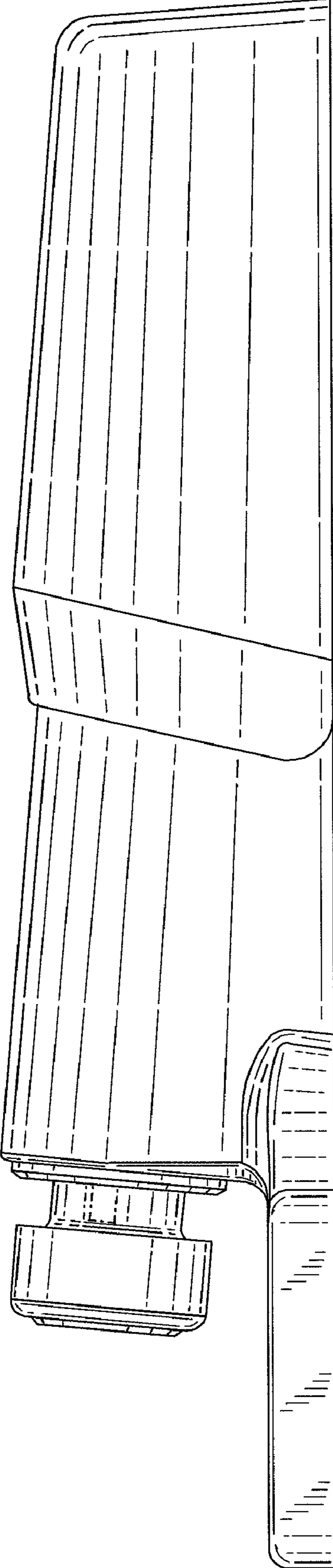


FIG. 3

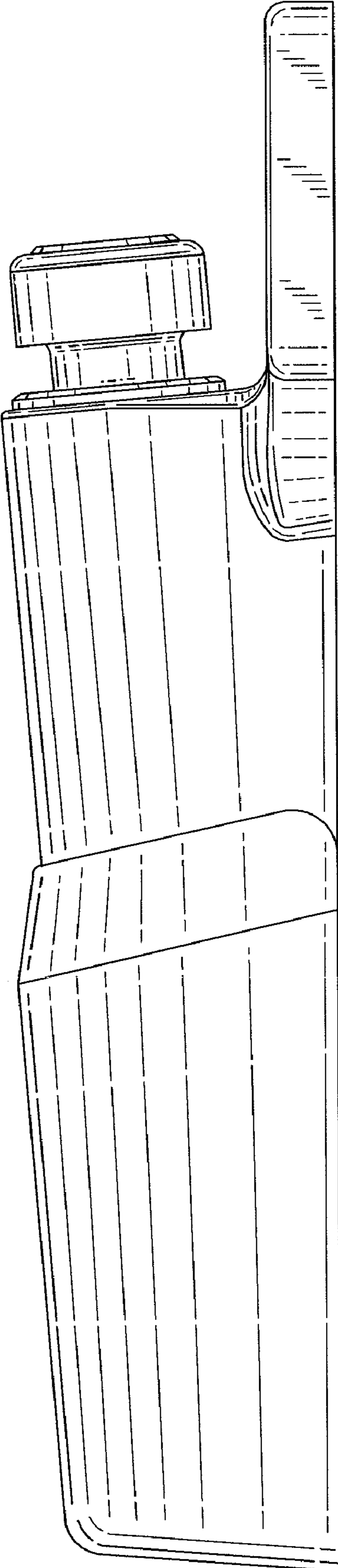


FIG. 4

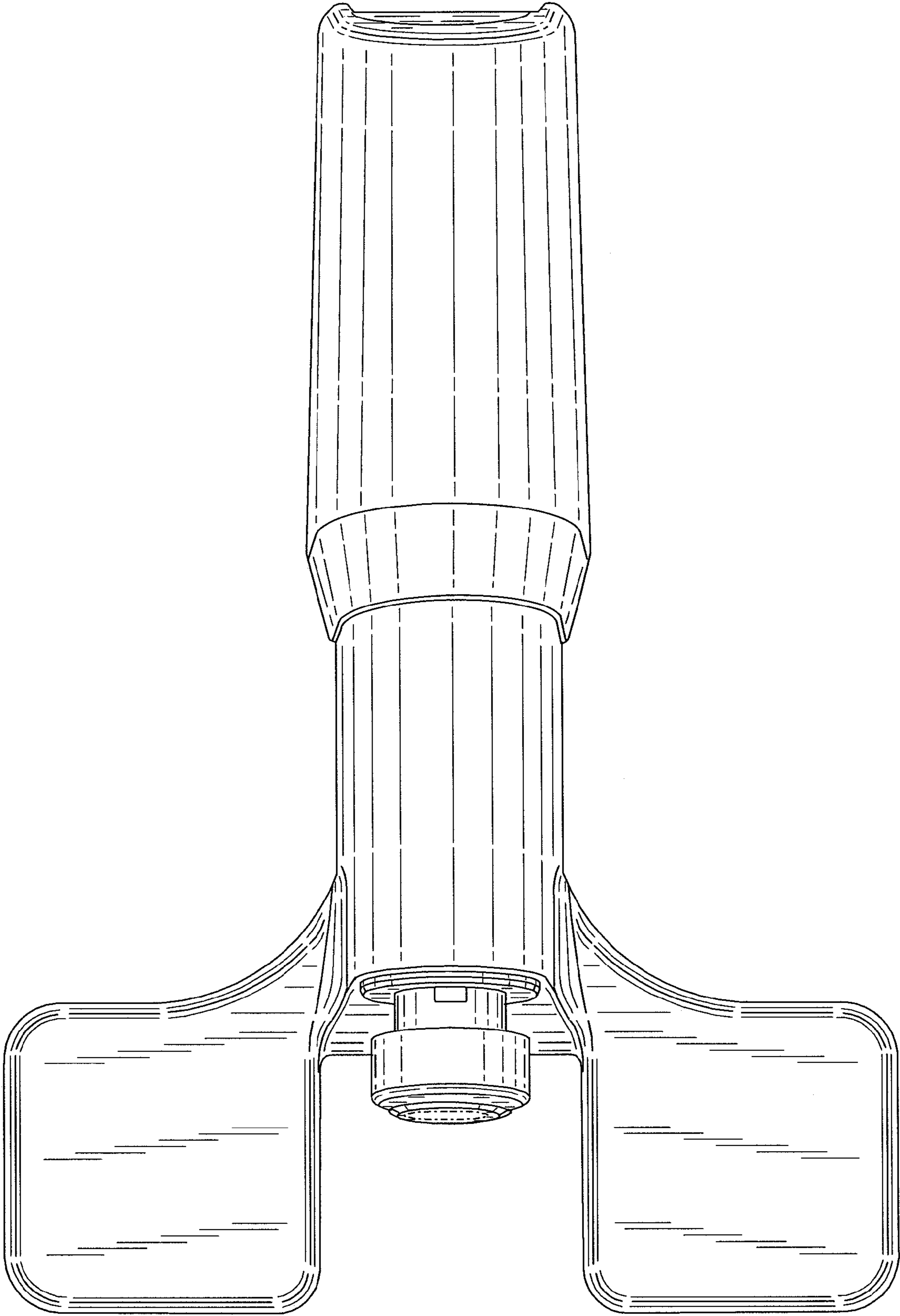


FIG. 5

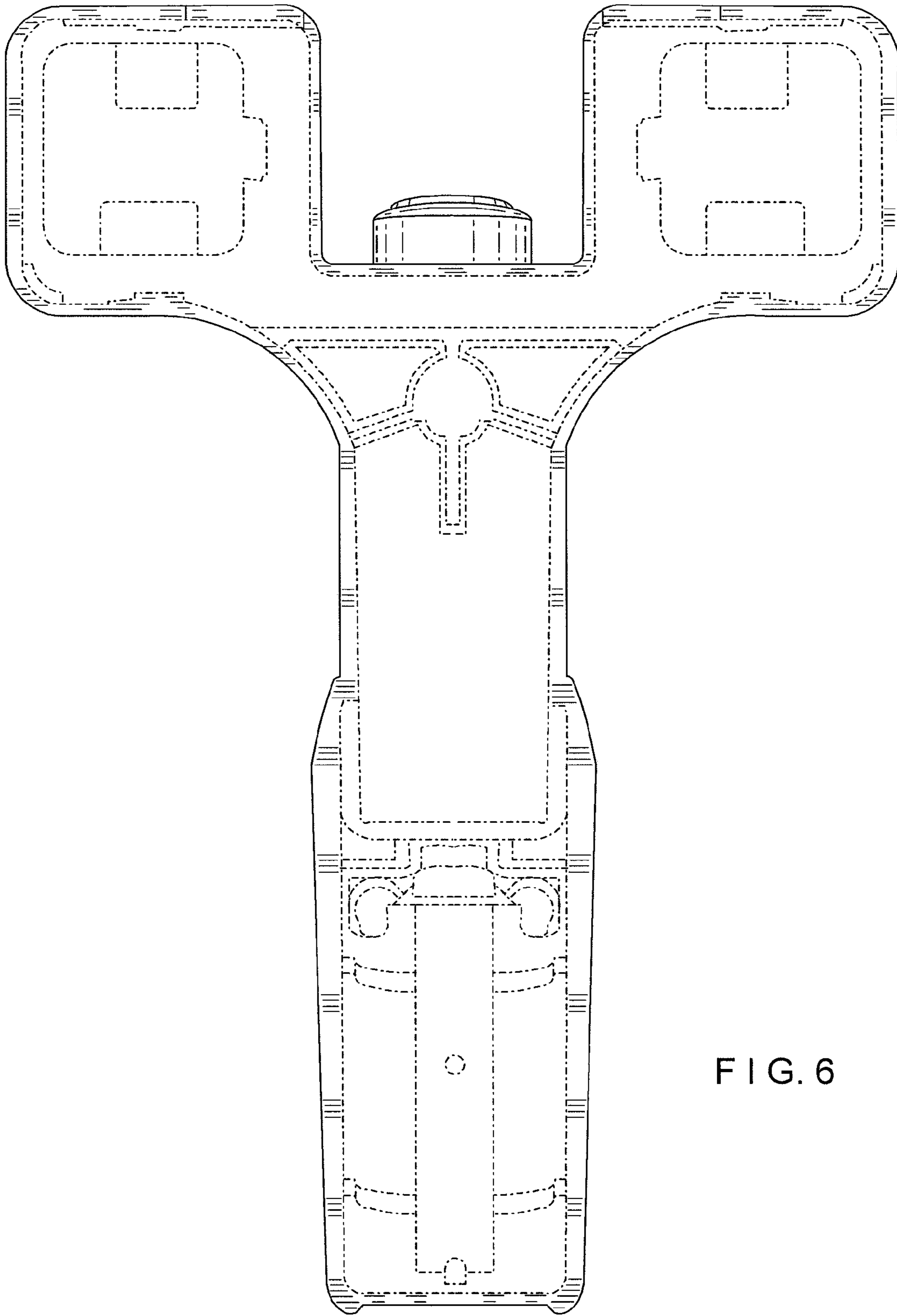


FIG. 6

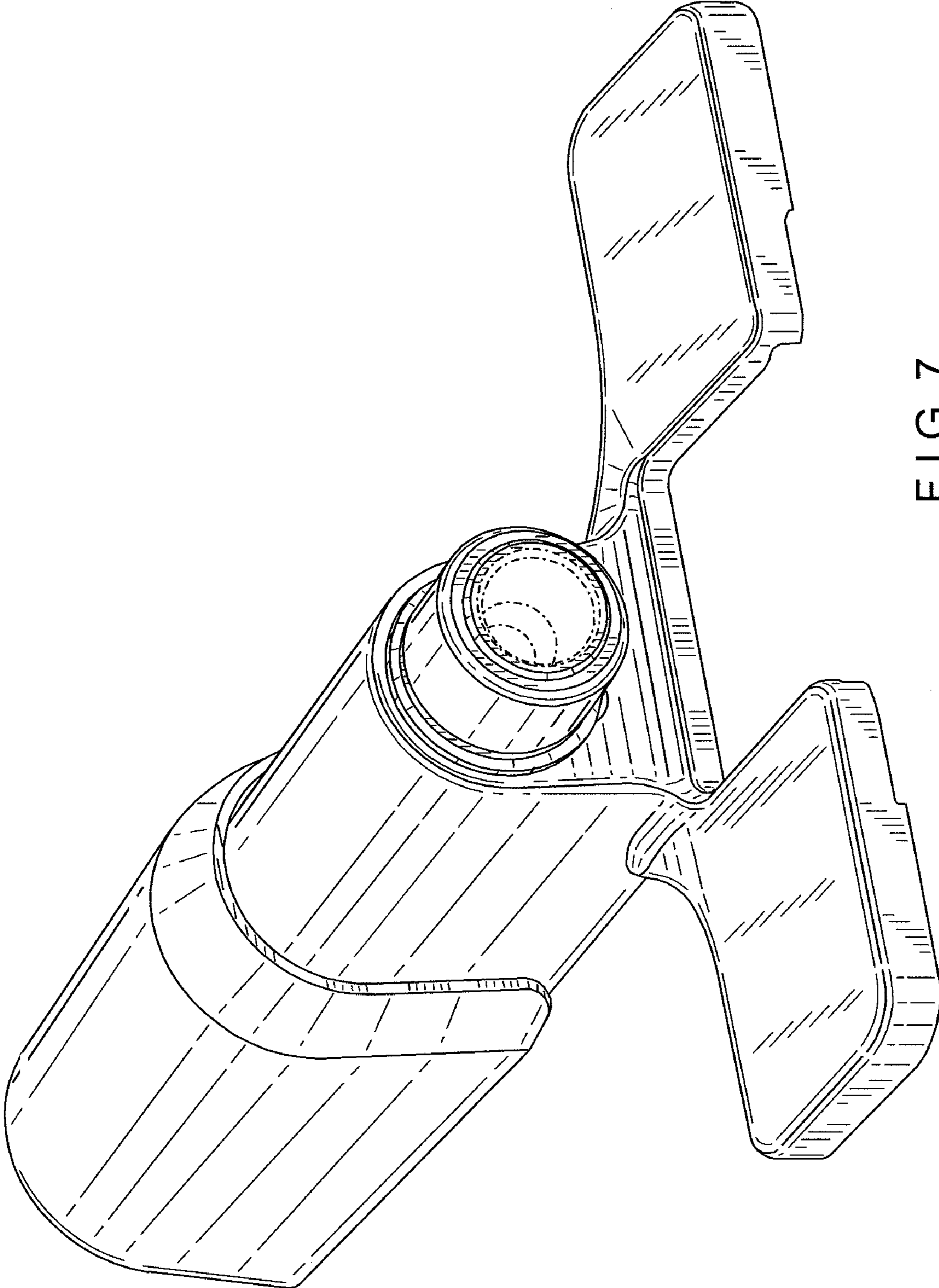


FIG. 7