



US00D580073S

(12) **United States Design Patent**  
**Moneo**

(10) **Patent No.:** **US D580,073 S**

(45) **Date of Patent:** **\*\* Nov. 4, 2008**

(54) **BLOCK FOR CONSTRUCTION**

(75) Inventor: **Rafael Moneo**, Madrid (ES)

(73) Assignee: **Seves S.p.A.**, Parma (IT)

(\*\*) Term: **14 Years**

(21) Appl. No.: **29/298,061**

(22) Filed: **Nov. 28, 2007**

(30) **Foreign Application Priority Data**

May 30, 2007 (EM) ..... 000731286-0001

(51) **LOC (8) Cl.** ..... **25-01**

(52) **U.S. Cl.** ..... **D25/113**

(58) **Field of Classification Search** ..... D25/102,  
D25/112-118, 158, 163; 405/16, 284, 286;  
52/102, 574, 596-612; D21/484-486, 490,  
D21/491, 493

See application file for complete search history.

(56) **References Cited**

U.S. PATENT DOCUMENTS

D58,660 S \* 8/1921 Clouser et al. .... D25/113  
D105,107 S \* 6/1937 Hower ..... D25/108  
D300,061 S \* 2/1989 Hackelsberger ..... D25/107

5,067,295 A \* 11/1991 Francik et al. .... 52/609  
D467,668 S \* 12/2002 Slagnes ..... D25/113  
D512,784 S \* 12/2005 Quintana ..... D25/115  
D513,077 S \* 12/2005 Quintana ..... D25/115

\* cited by examiner

*Primary Examiner*—Louis S Zarfes

*Assistant Examiner*—Anhdao Doan

(74) *Attorney, Agent, or Firm*—Pearne & Gordon LLP

(57) **CLAIM**

The ornamental design for a block for construction, as shown and described.

**DESCRIPTION**

FIG. 1 is a perspective view principally of the front of a block for construction, showing my new design;

FIG. 2 is a perspective view principally of the back thereof;

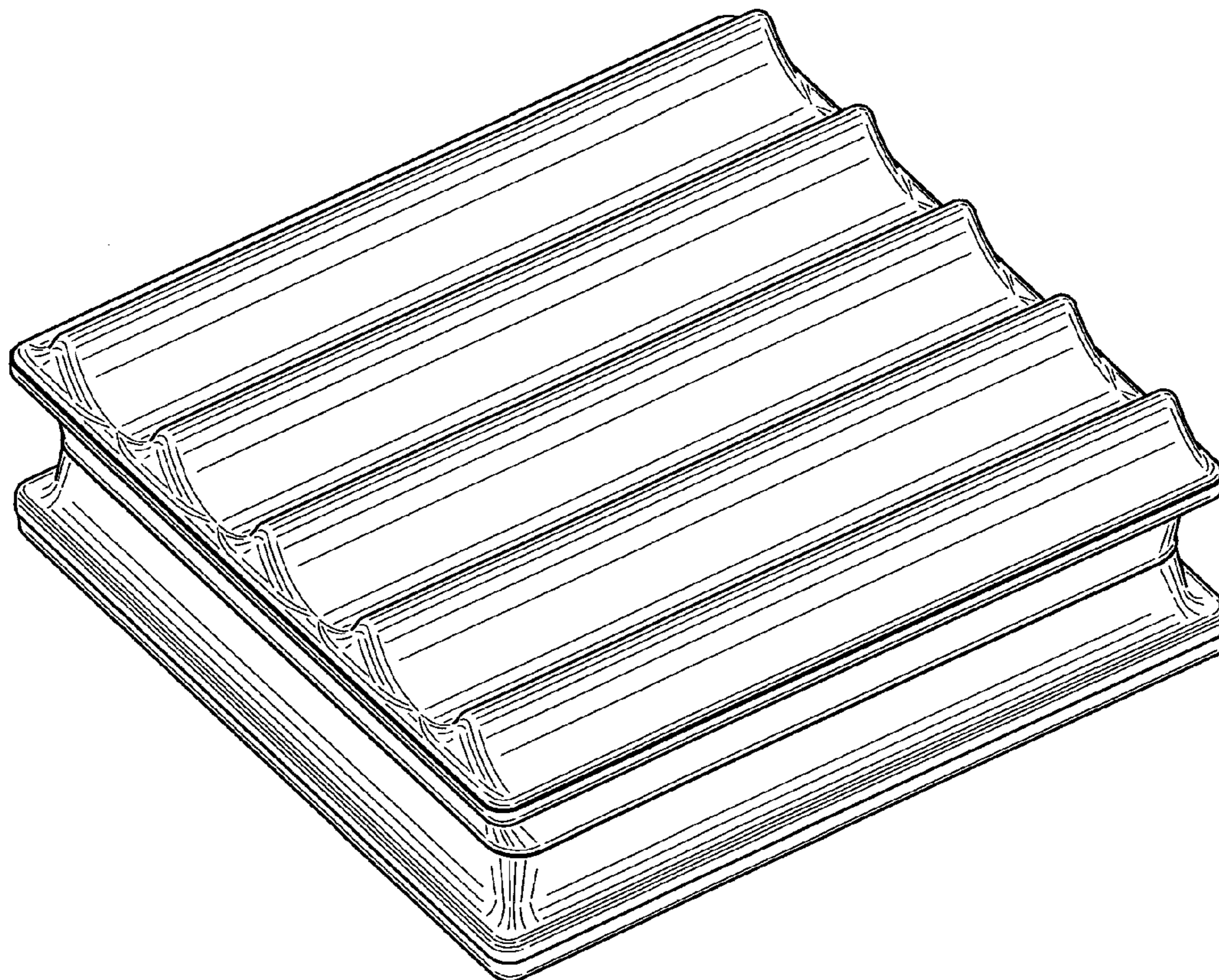
FIG. 3 is a front elevational view thereof;

FIG. 4 is a back elevational view thereof;

FIG. 5 is a bottom plan view thereof, the top plan view being a mirror image thereof; and,

FIG. 6 is a right side elevational view thereof, the left side elevational view being a mirror image thereof.

**1 Claim, 5 Drawing Sheets**



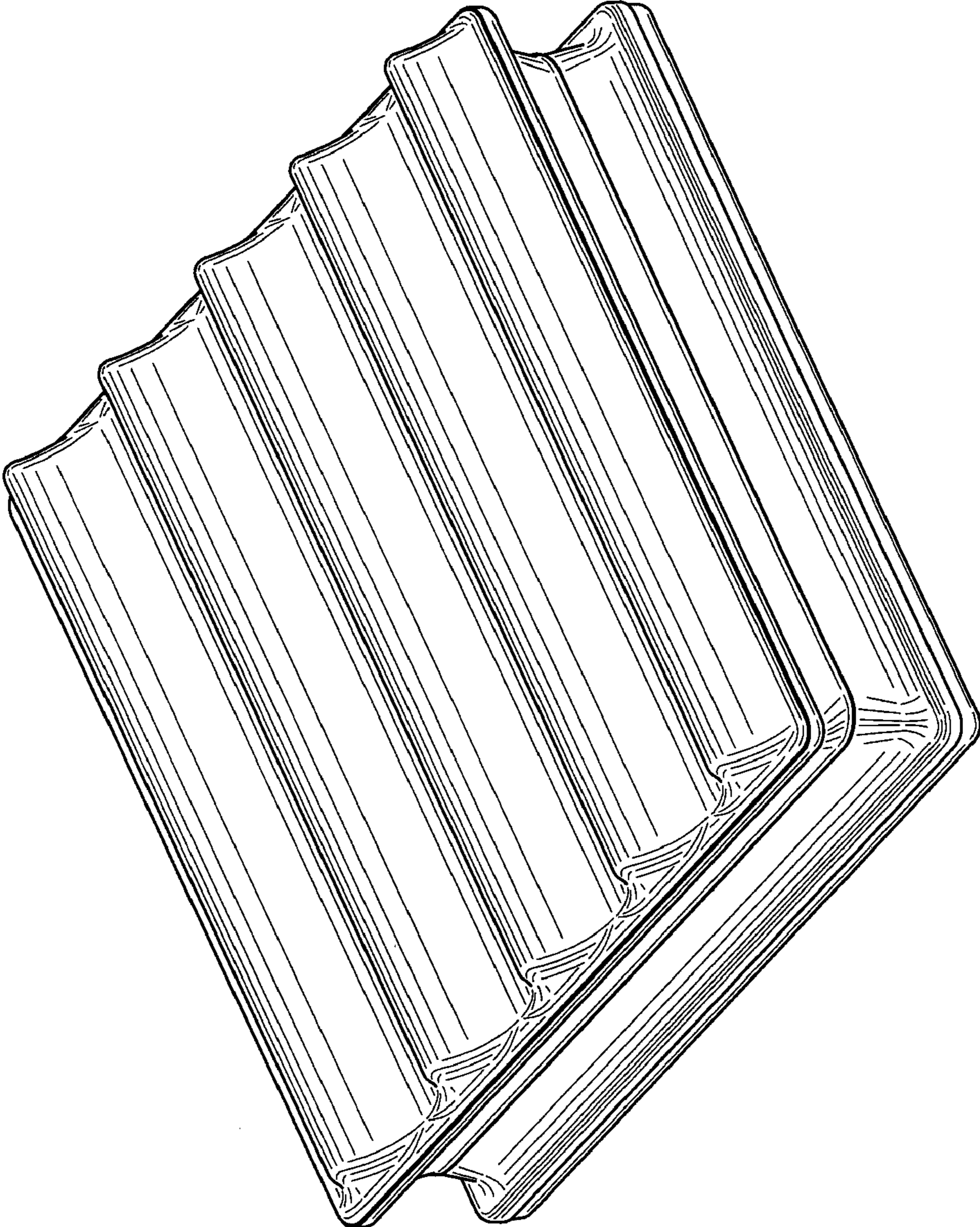


FIG. 1

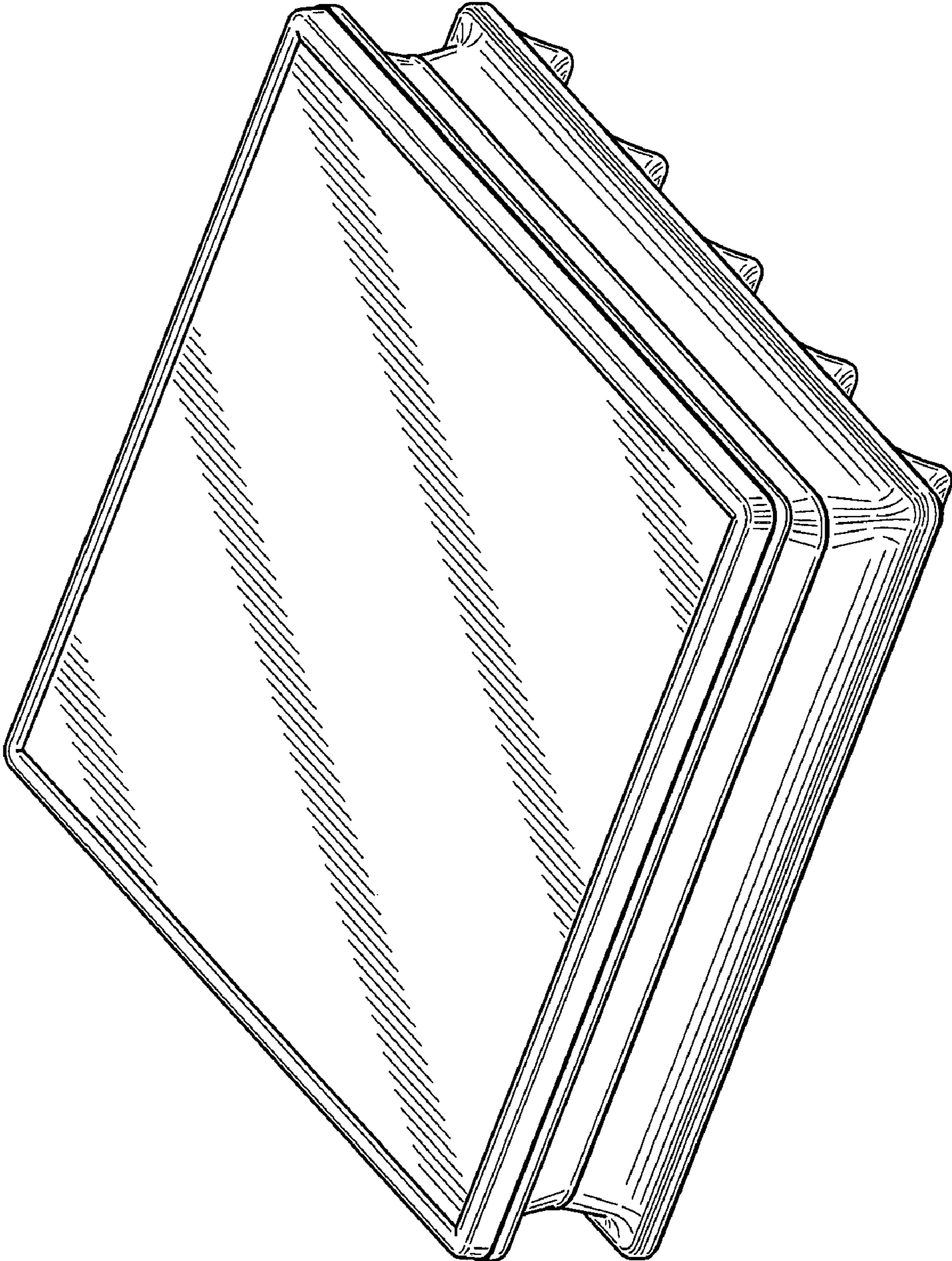


FIG. 2

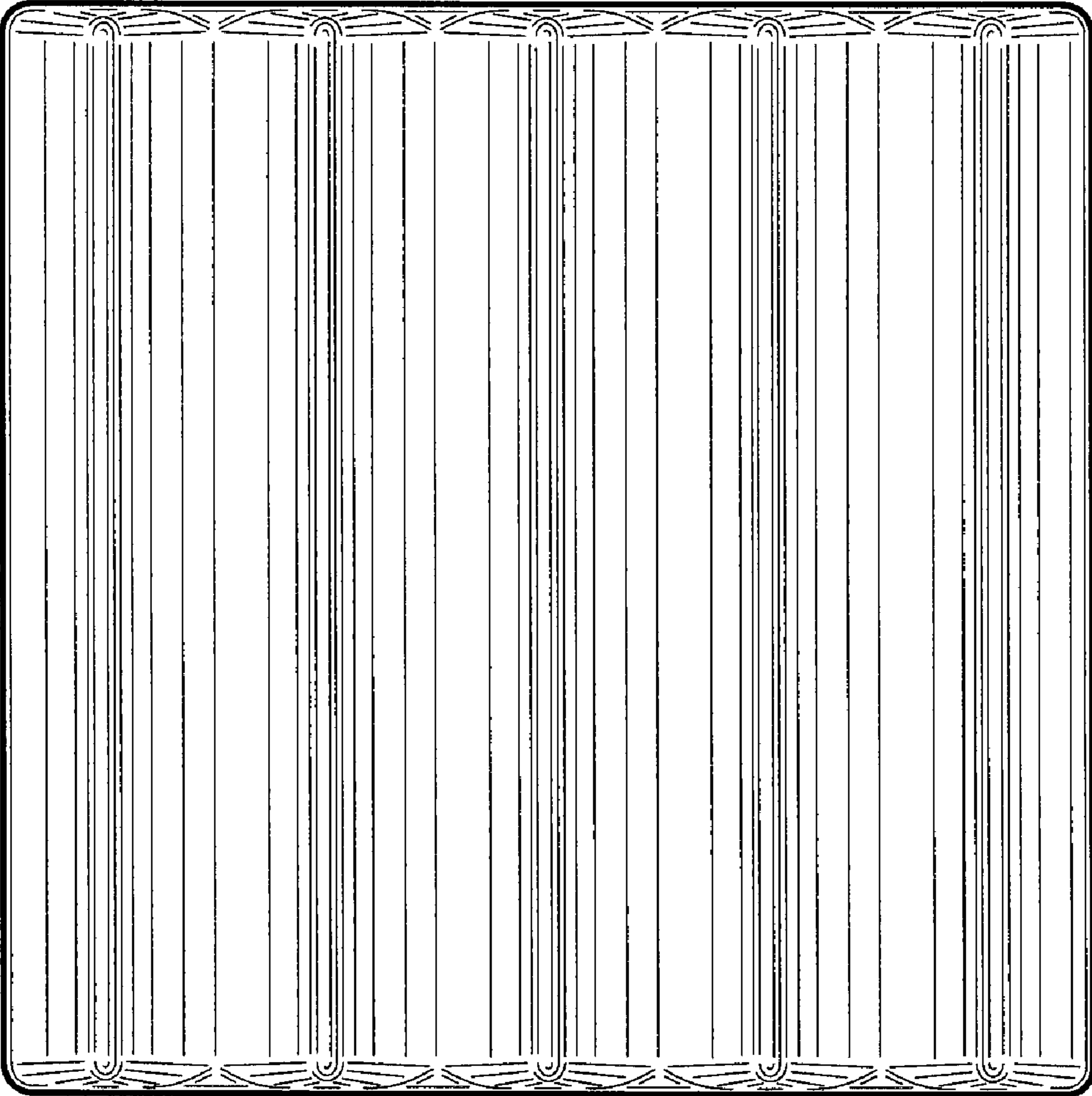


FIG. 3

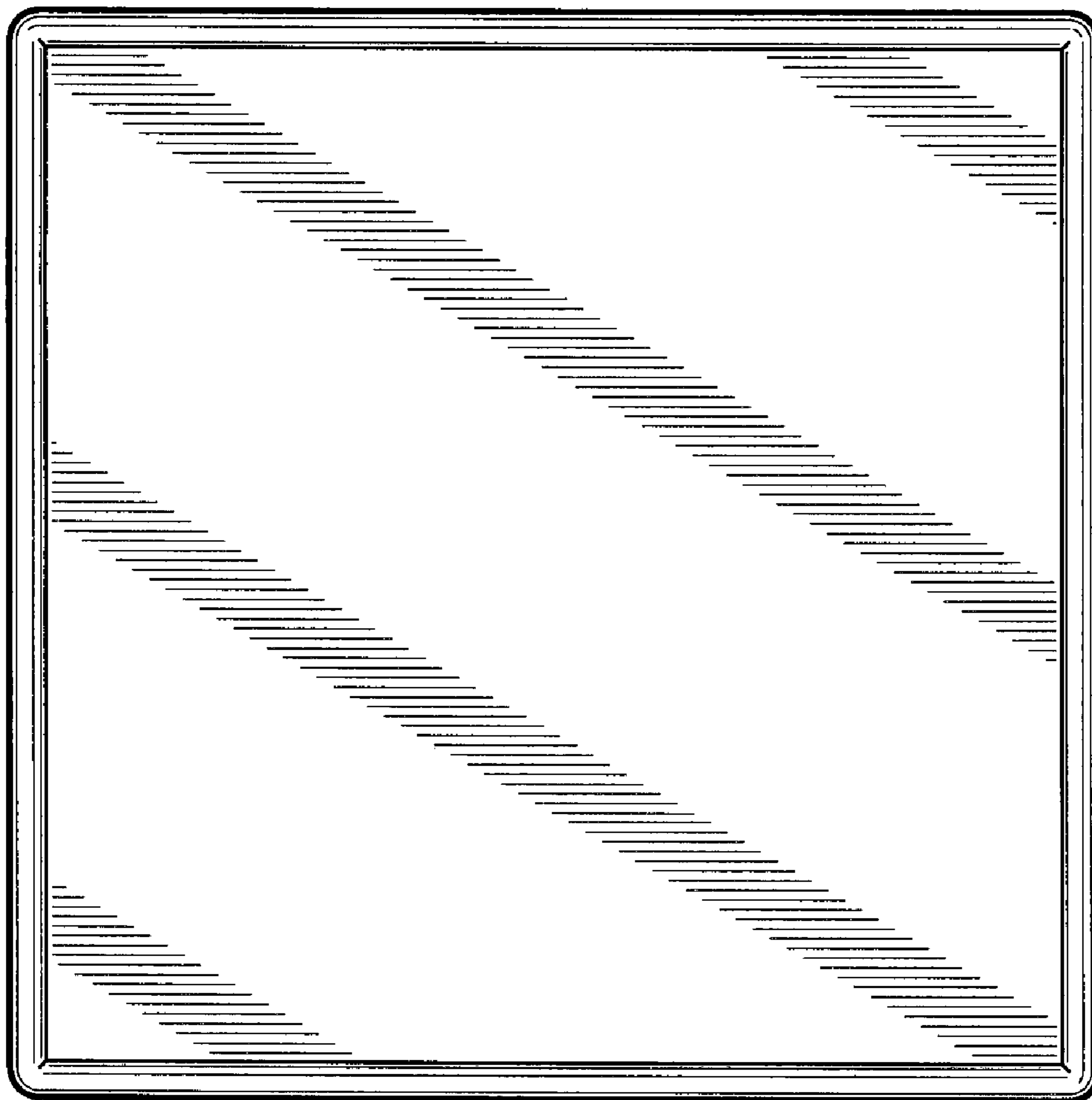


FIG. 4

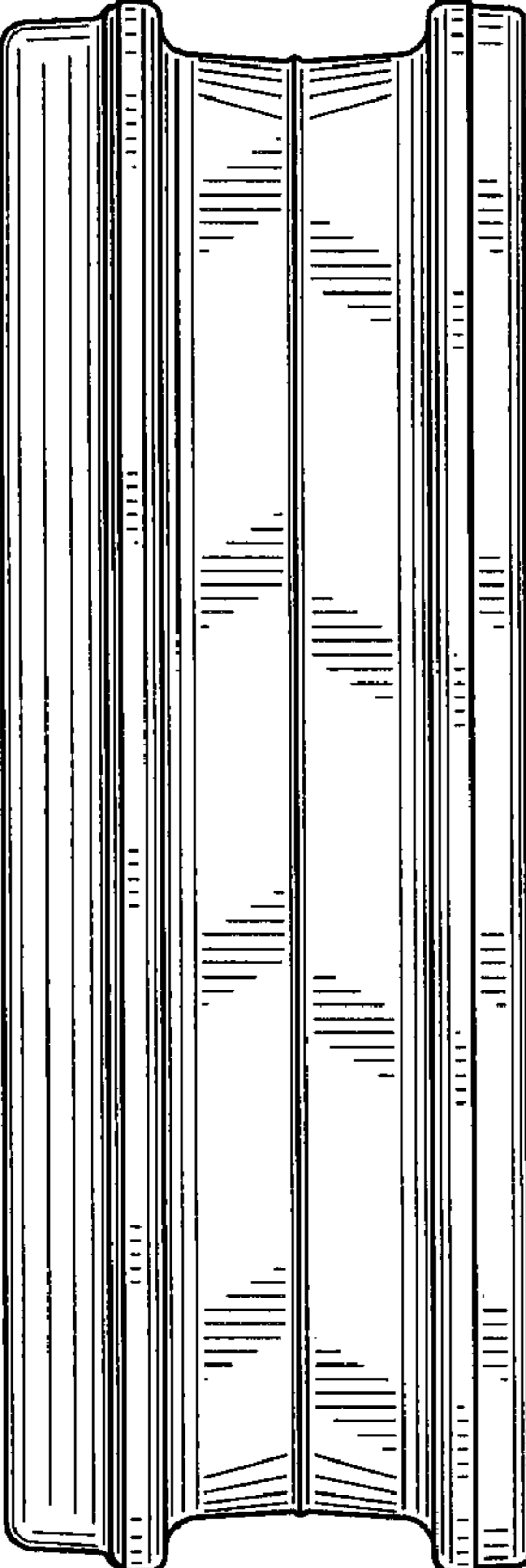


FIG. 5

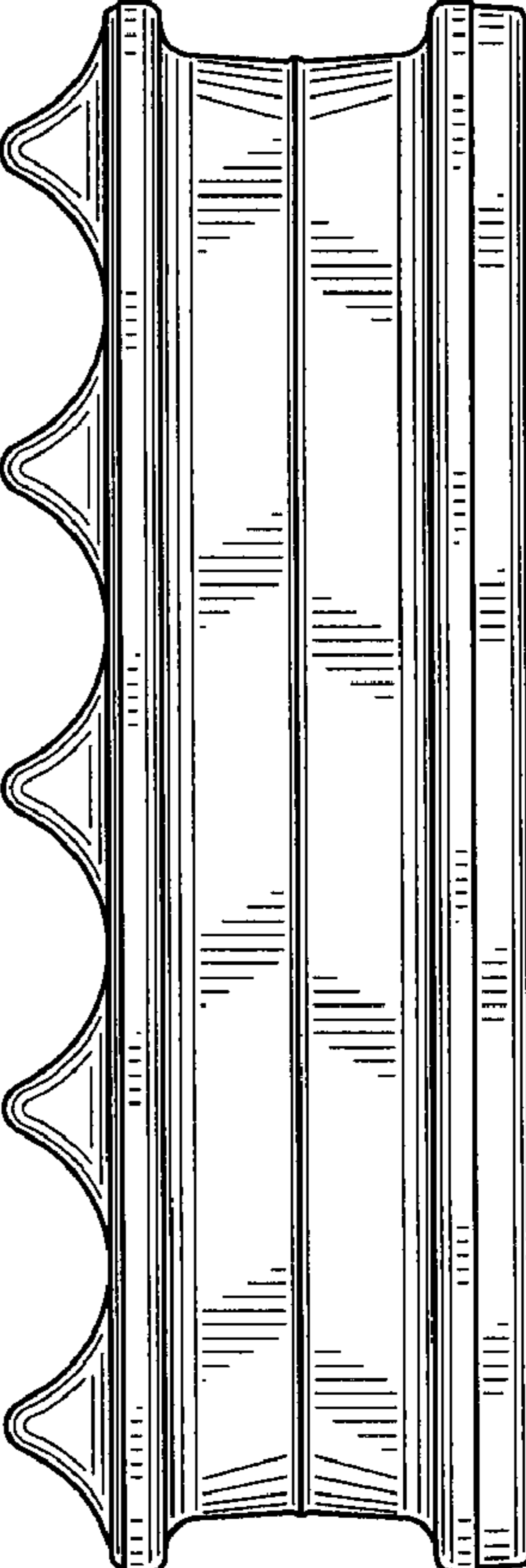


FIG. 6