



US00D580068S

(12) **United States Design Patent**
Shigesada et al.

(10) **Patent No.:** **US D580,068 S**
(45) **Date of Patent:** **** Nov. 4, 2008**

(54) **CAP OF CARTRIDGE FOR COMPONENT EXTRACTION**

WO 2006-038345 A2 4/2006

(75) Inventors: **Keiji Shigesada**, Odawara (JP); **Morio Fujiwara**, Odawara (JP); **Takuji Yamada**, Odawara (JP); **Katsuya Inana**, Kanagawa (JP)

OTHER PUBLICATIONS

U.S. Appl. No. 29/274,081, filed Mar. 28, 2007, Keiji Shigesada.

Primary Examiner—Louis S Zarfaz

Assistant Examiner—Anhdao Doan

(74) *Attorney, Agent, or Firm*—Sughrue Mion, PLLC

(73) Assignee: **FUJIFILM Corporation**, Tokyo (JP)

(57) **CLAIM**

(**) Term: **14 Years**

The ornamental design for a cap of cartridge for component extraction, as shown and described.

(21) Appl. No.: **29/274,082**

(22) Filed: **Mar. 28, 2007**

(30) **Foreign Application Priority Data**

Sep. 29, 2006 (JP) 2006-026528

(51) **LOC (8) Cl.** **24-01**

(52) **U.S. Cl.** **D24/216**

(58) **Field of Classification Search** D24/216–230;
422/100.101, 102, 104; 210/282, 455, 497.01
See application file for complete search history.

(56) **References Cited**

U.S. PATENT DOCUMENTS

3,295,686	A *	1/1967	Krueger	210/455
5,308,483	A *	5/1994	Sklar et al.	422/101
5,807,481	A *	9/1998	Hodgkins et al.	210/455
D421,129	S *	2/2000	Haynes	D24/224
6,495,042	B1 *	12/2002	Knight	210/497.01
D511,214	S *	11/2005	Sasano et al.	D24/224

(Continued)

FOREIGN PATENT DOCUMENTS

JP	2006-95499	A	4/2006
JP	2006-102566	A1	4/2006
WO	2005-037413	A1	4/2005
WO	2005-037983	A1	4/2005
WO	2006-038344	A1	4/2006

DESCRIPTION

FIG. 1 is a perspective view of the top, front and right side of a cap of cartridge for component extraction showing our new design;

FIG. 2 is a front elevational view thereof;

FIG. 3 is a rear elevational view thereof;

FIG. 4 is a top plan view thereof;

FIG. 5 is a bottom plan view thereof;

FIG. 6 is a right side elevational view thereof;

FIG. 7 is a left side elevational view thereof;

FIG. 8 is a cross-sectional view thereof taken at the direction of line 8—8 of FIG. 3;

FIG. 9 is a cross-sectional view thereof taken at line 9—9 of FIG. 3;

FIG. 10 is a cross-sectional view thereof taken at line 10—10 of FIG. 3;

FIG. 11 is a cross-sectional view thereof taken at line 11—11 of FIG. 3;

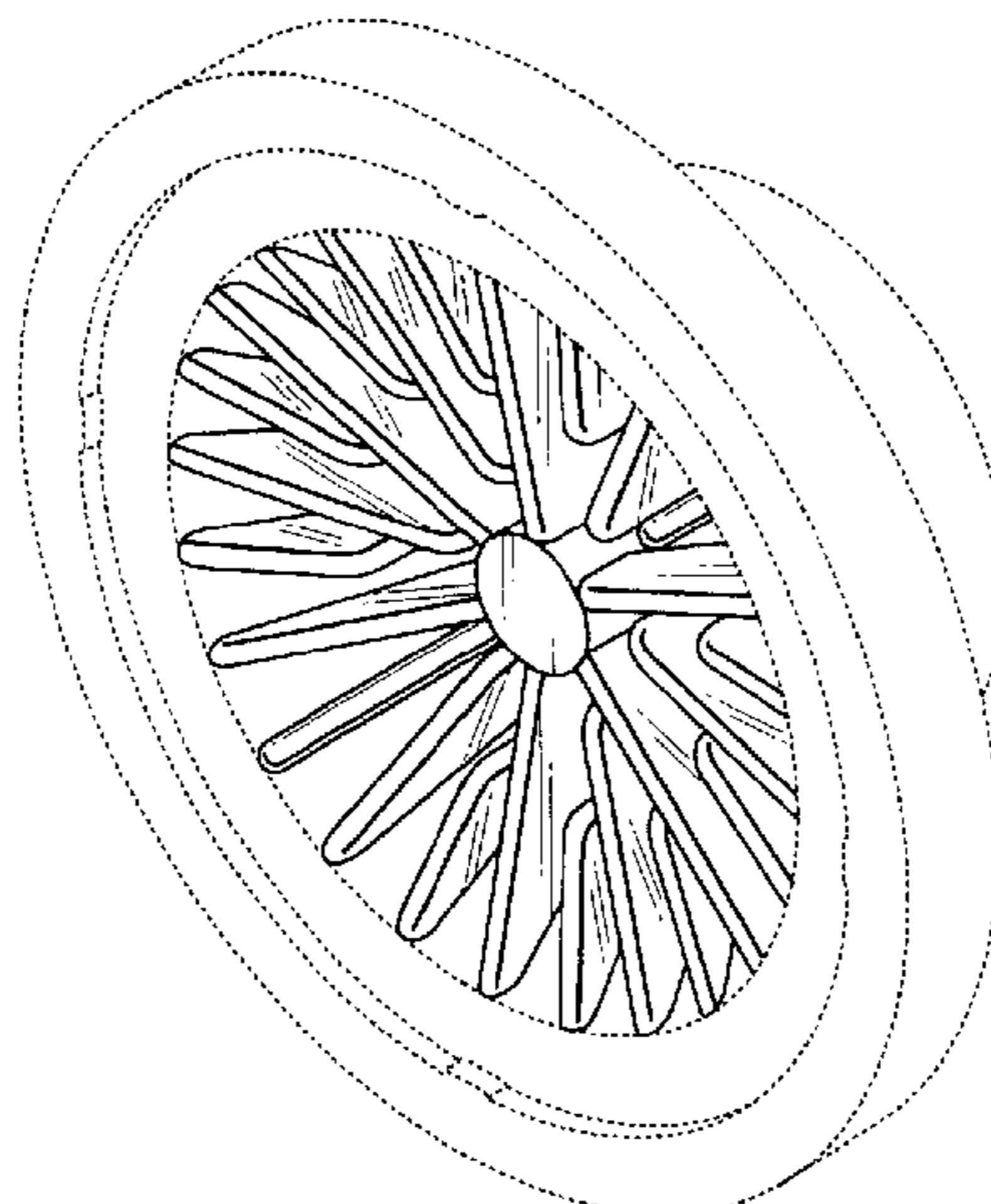
FIG. 12 is a front elevational view thereof without filter;

FIG. 13 is a cross-sectional view thereof taken at the direction of line 8—8 of FIG. 4, without filter; and,

FIG. 14 is an exploded perspective view thereof while in use.

The portions shown in broken lines are for environmental purposes only and form no part of the claimed design.

1 Claim, 8 Drawing Sheets



US D580,068 S

Page 2

U.S. PATENT DOCUMENTS									
D516,223	S *	2/2006	Smith	D24/224	2005/0242018	A1 *	11/2005	Hodgin et al.	210/198.2
7,247,245	B1 *	7/2007	Proulx et al.	210/455	2006/0065587	A1	5/2006	Shigesada et al.	
2004/0063169	A1 *	4/2004	Kane	422/101					* cited by examiner

FIG. 1

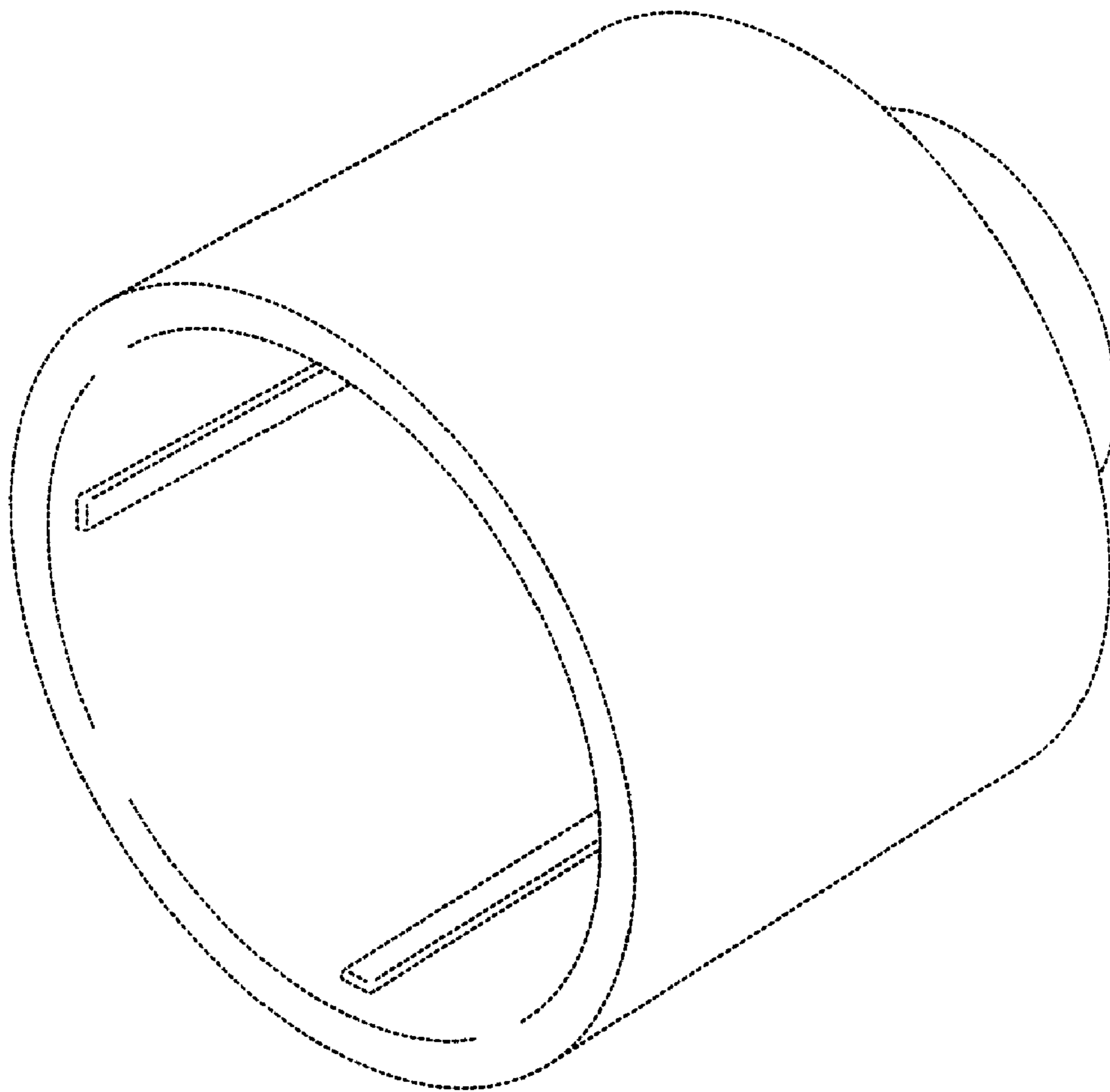


FIG.2

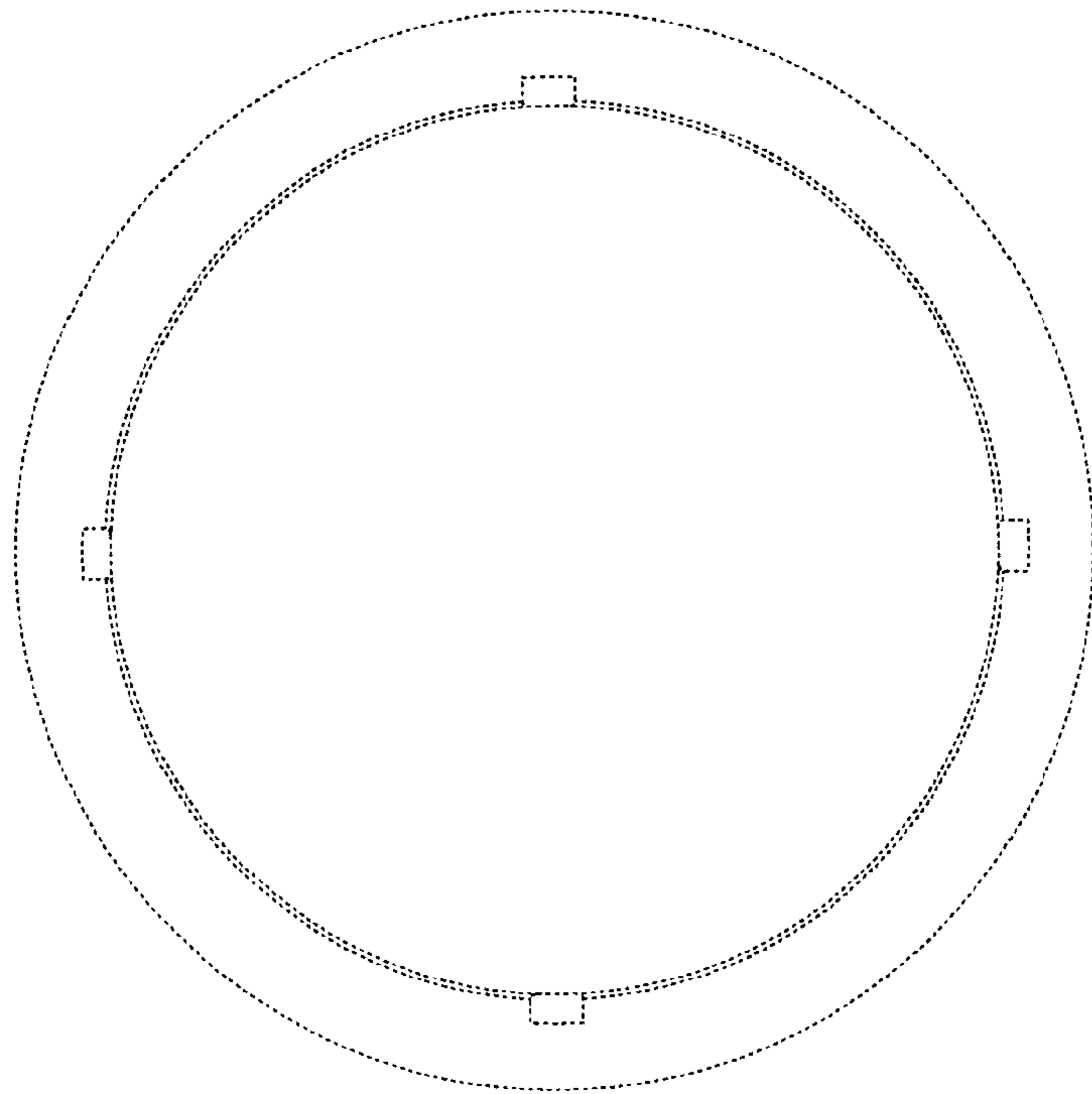


FIG.3

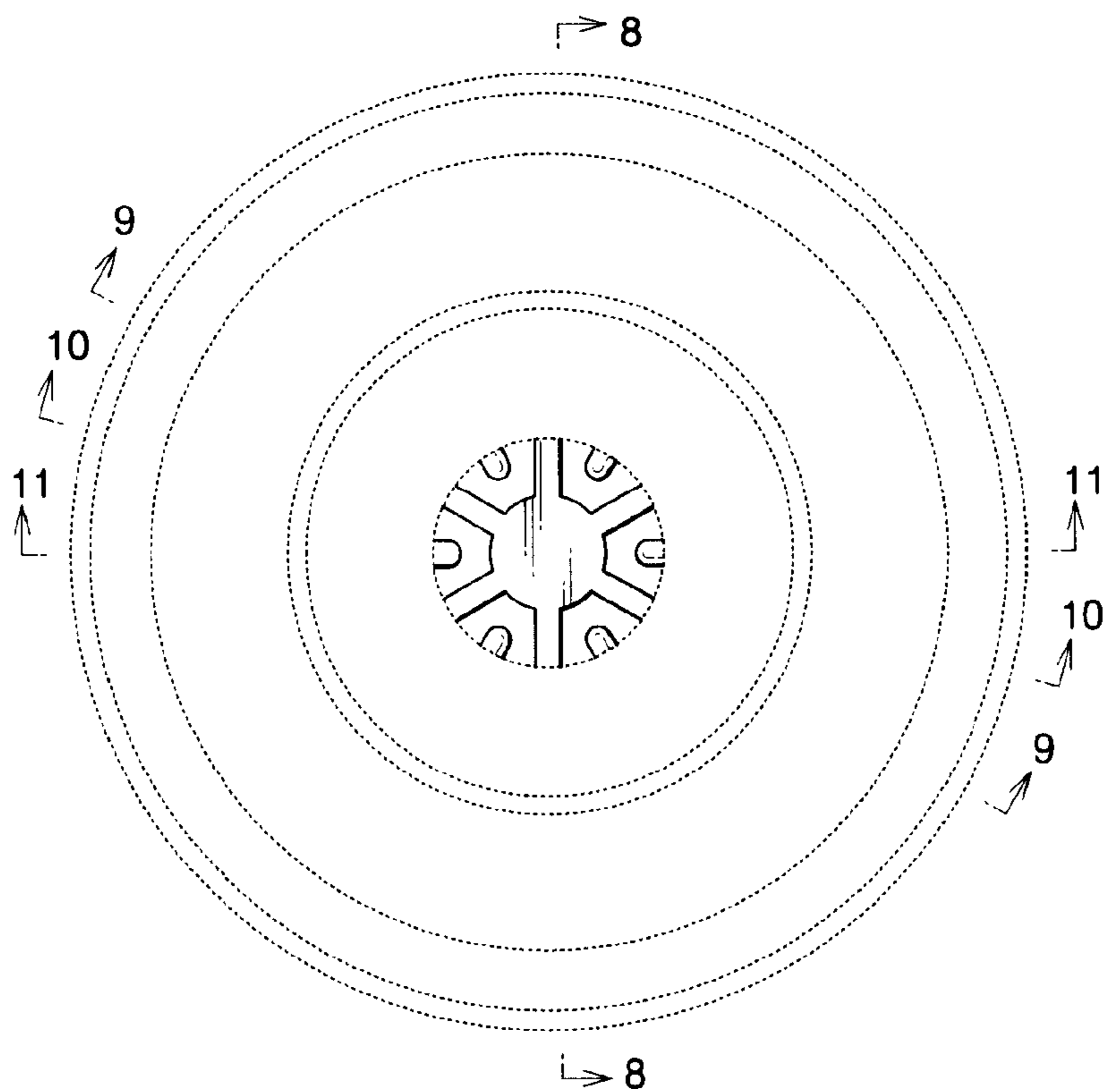


FIG.4

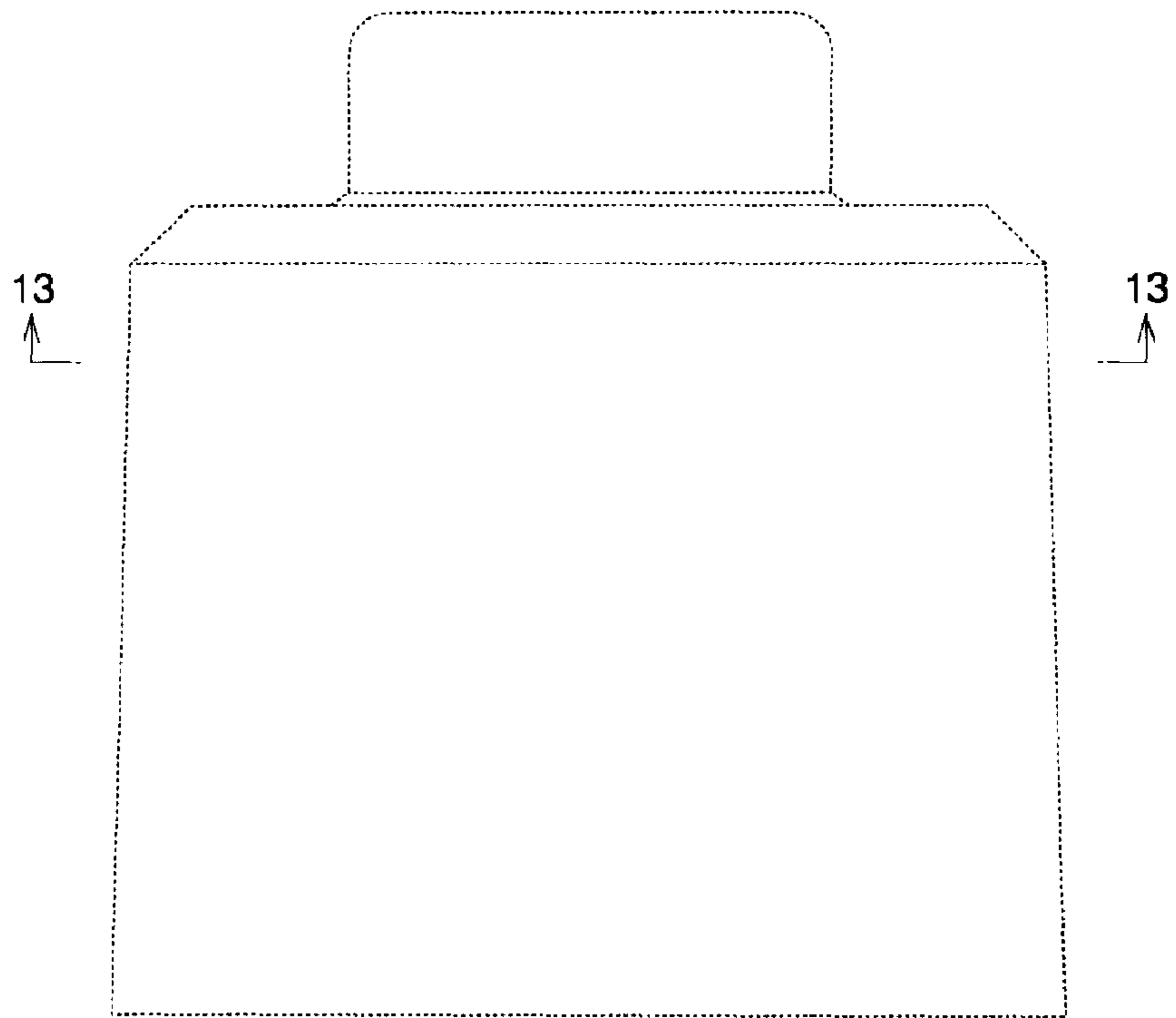


FIG.5

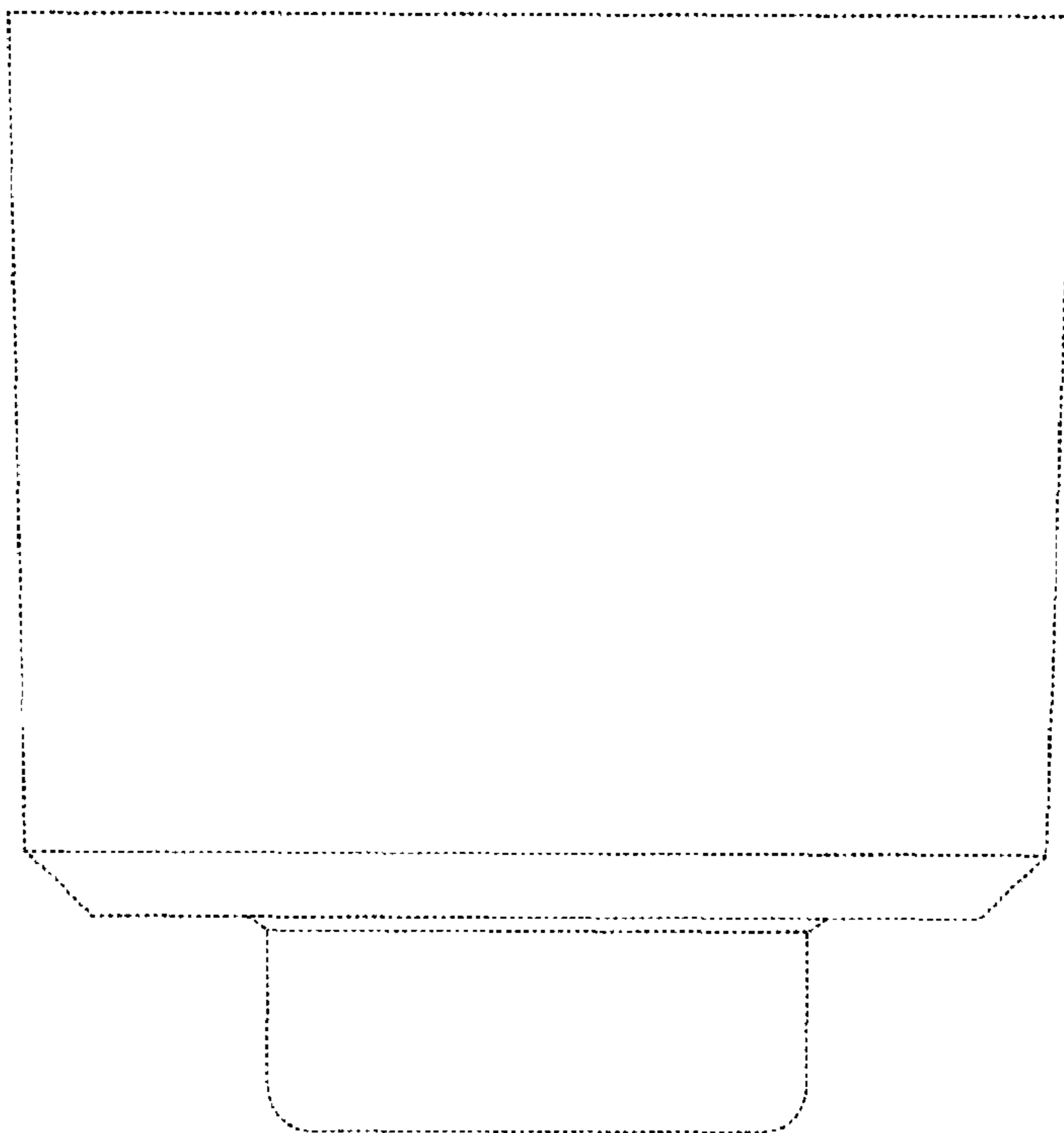


FIG. 6

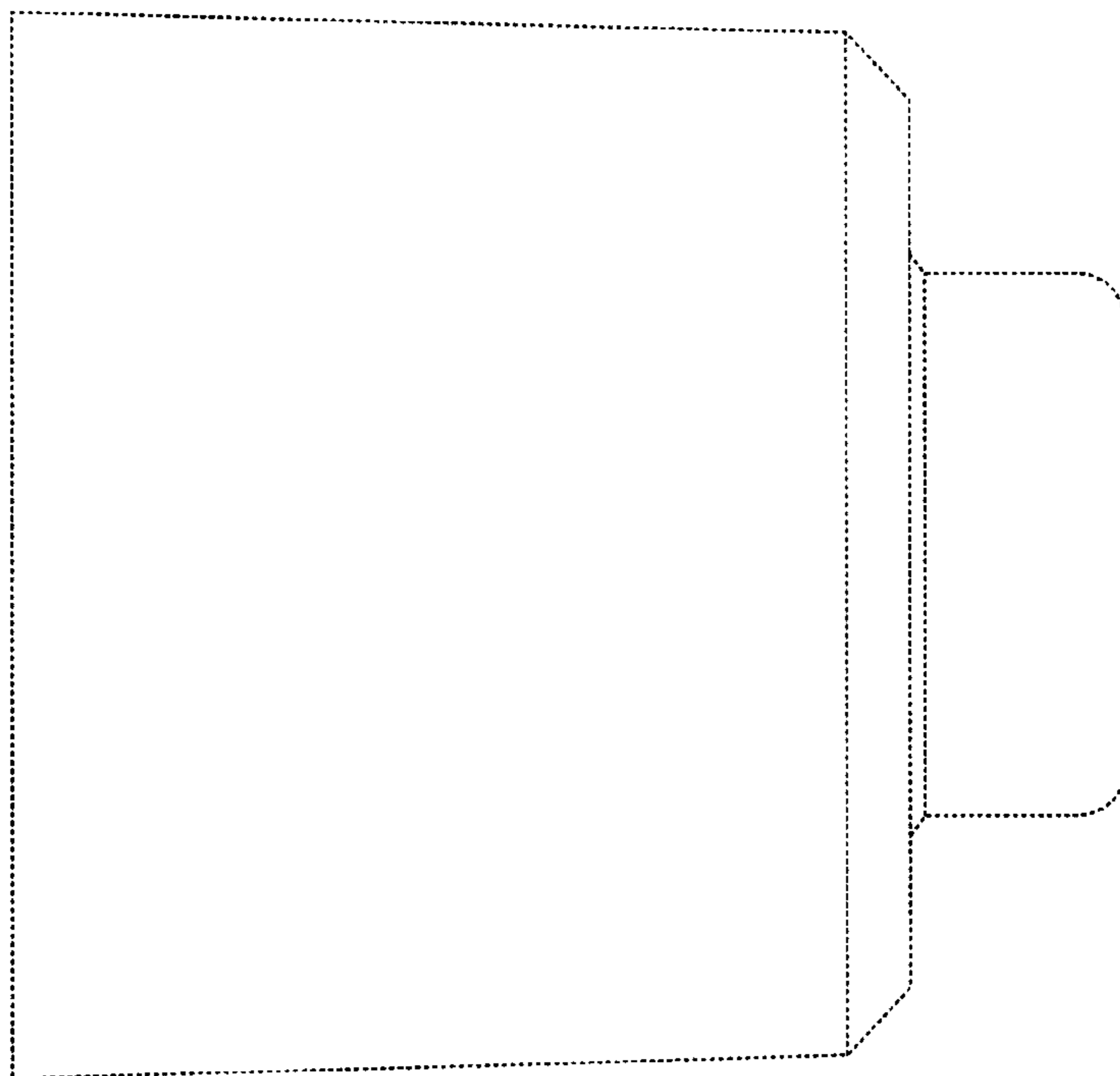


FIG. 7

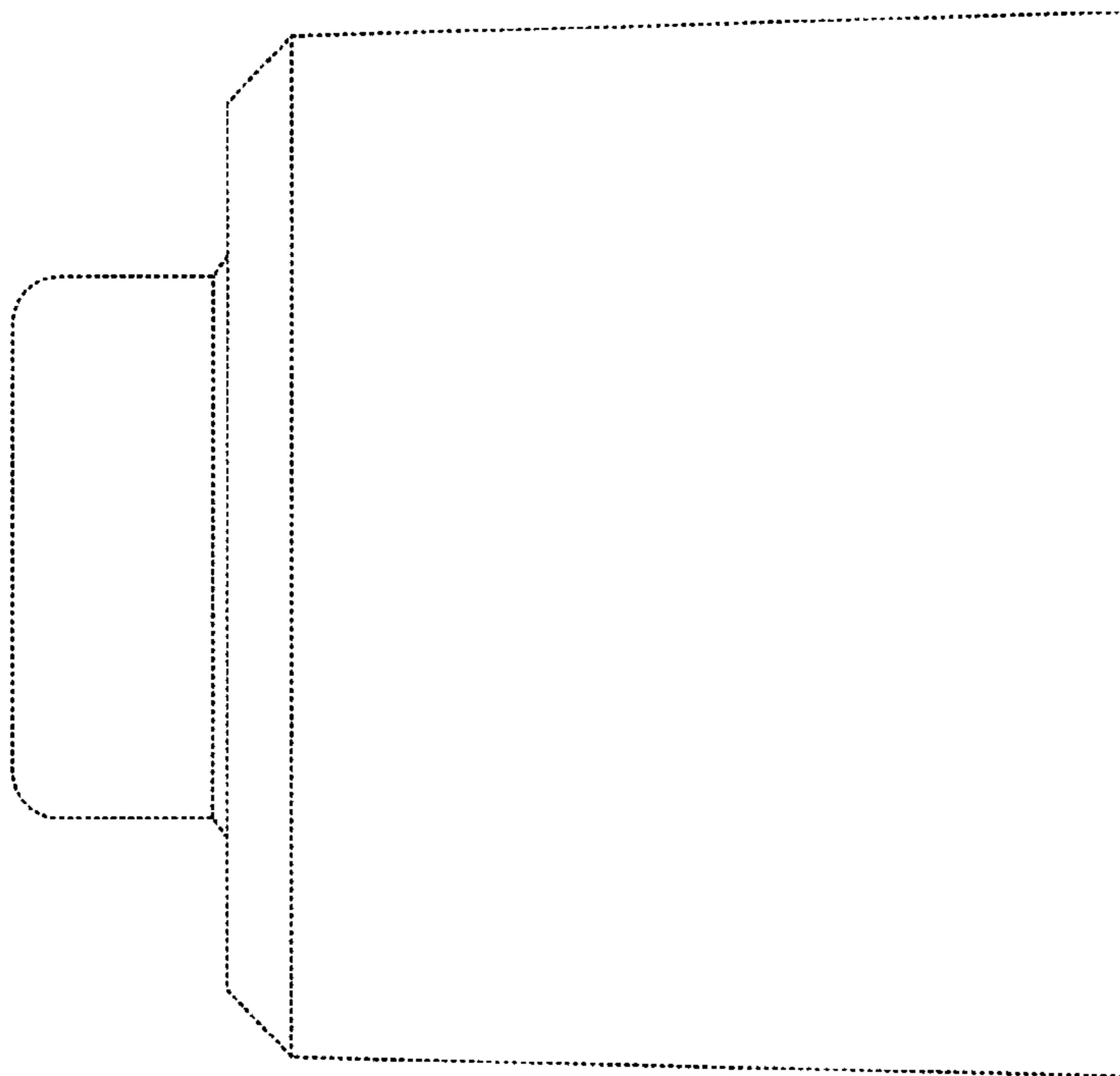


FIG.8

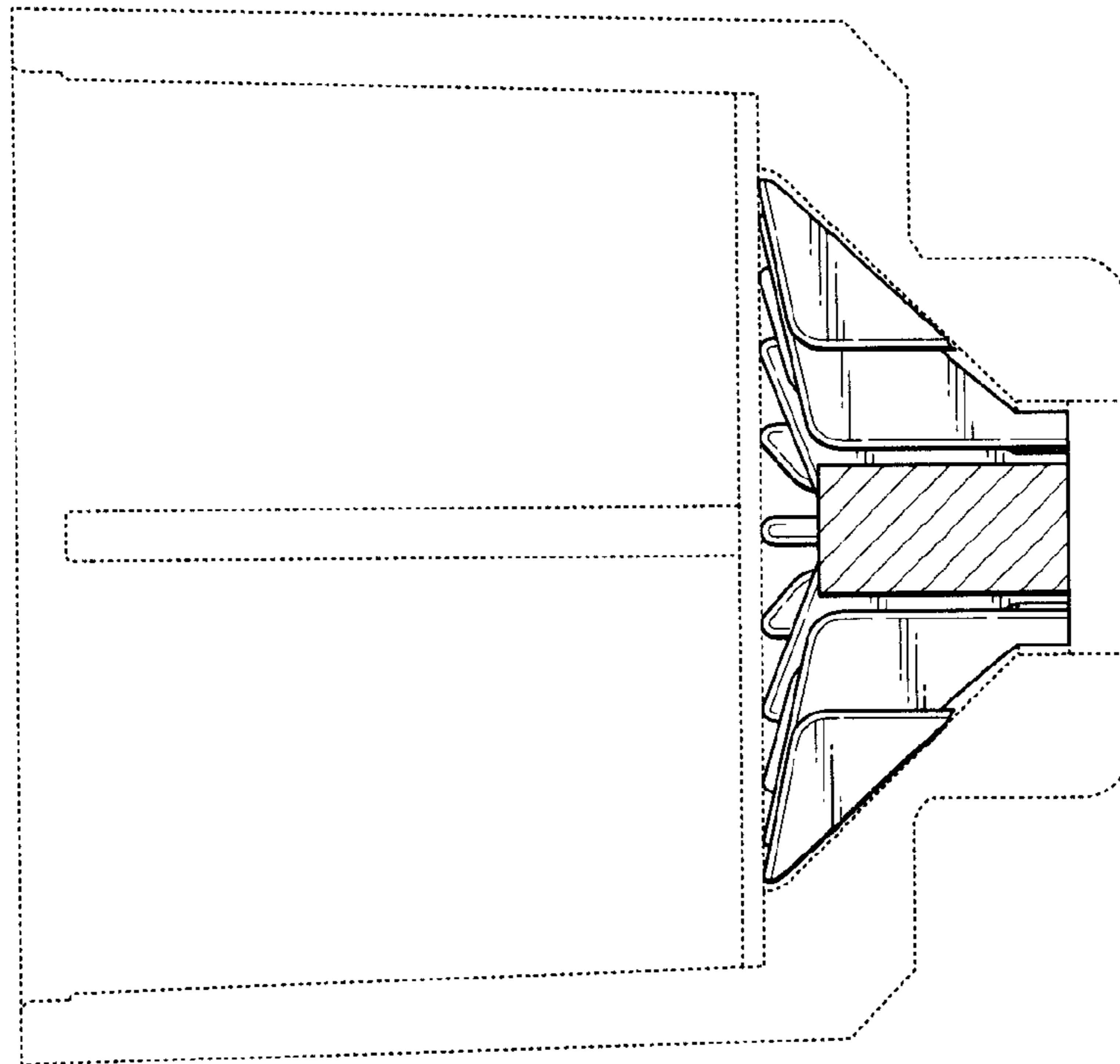


FIG.9

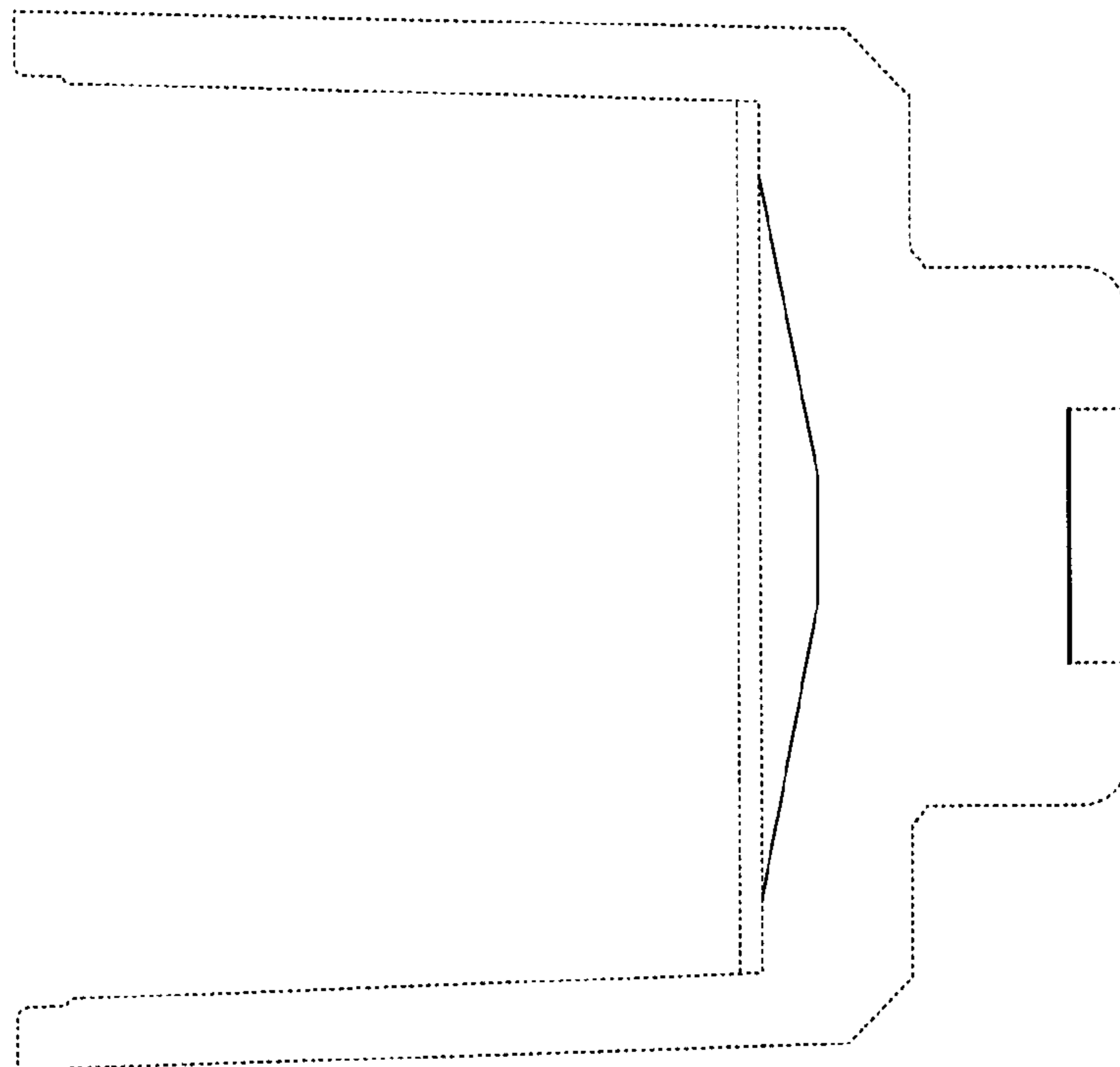


FIG.10

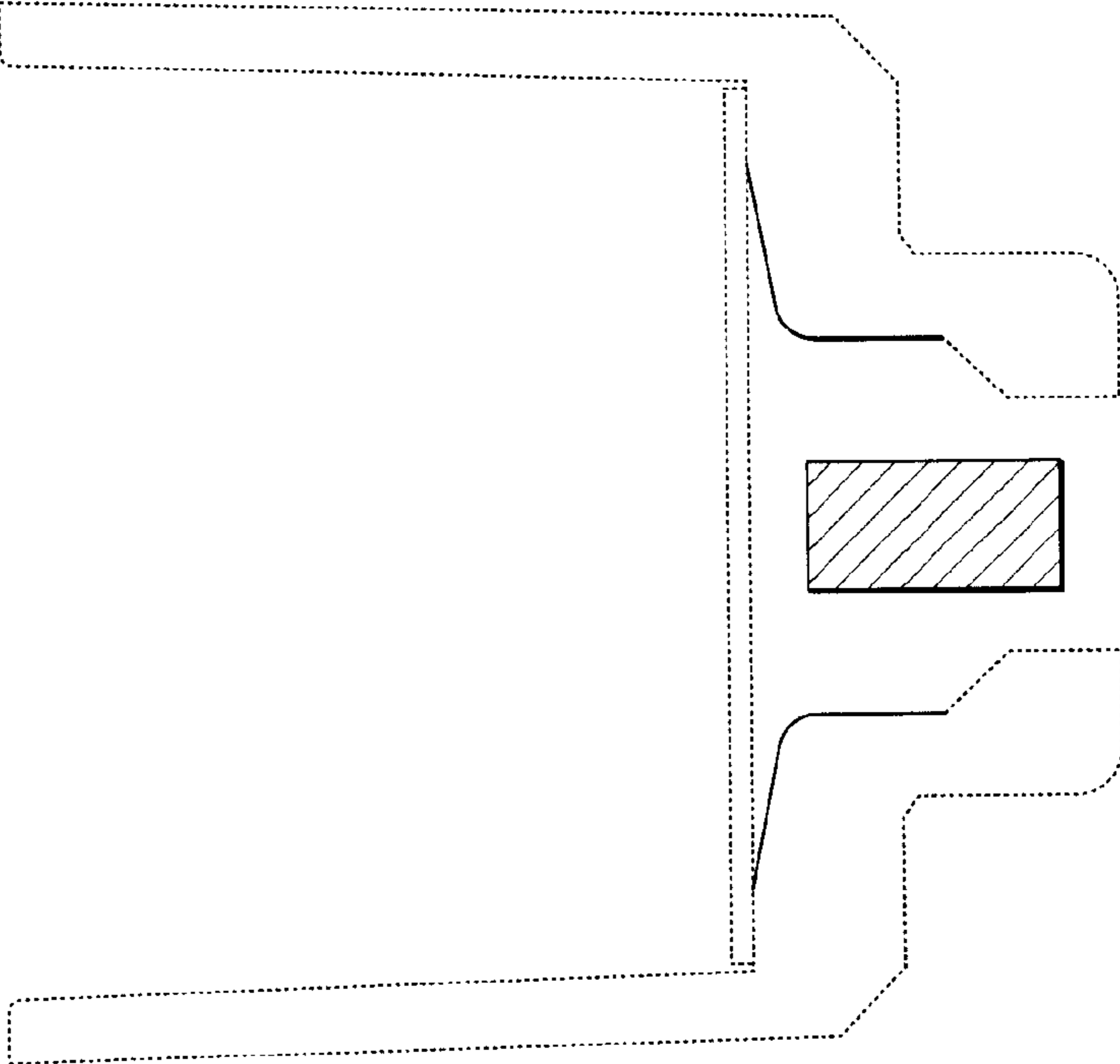


FIG.11

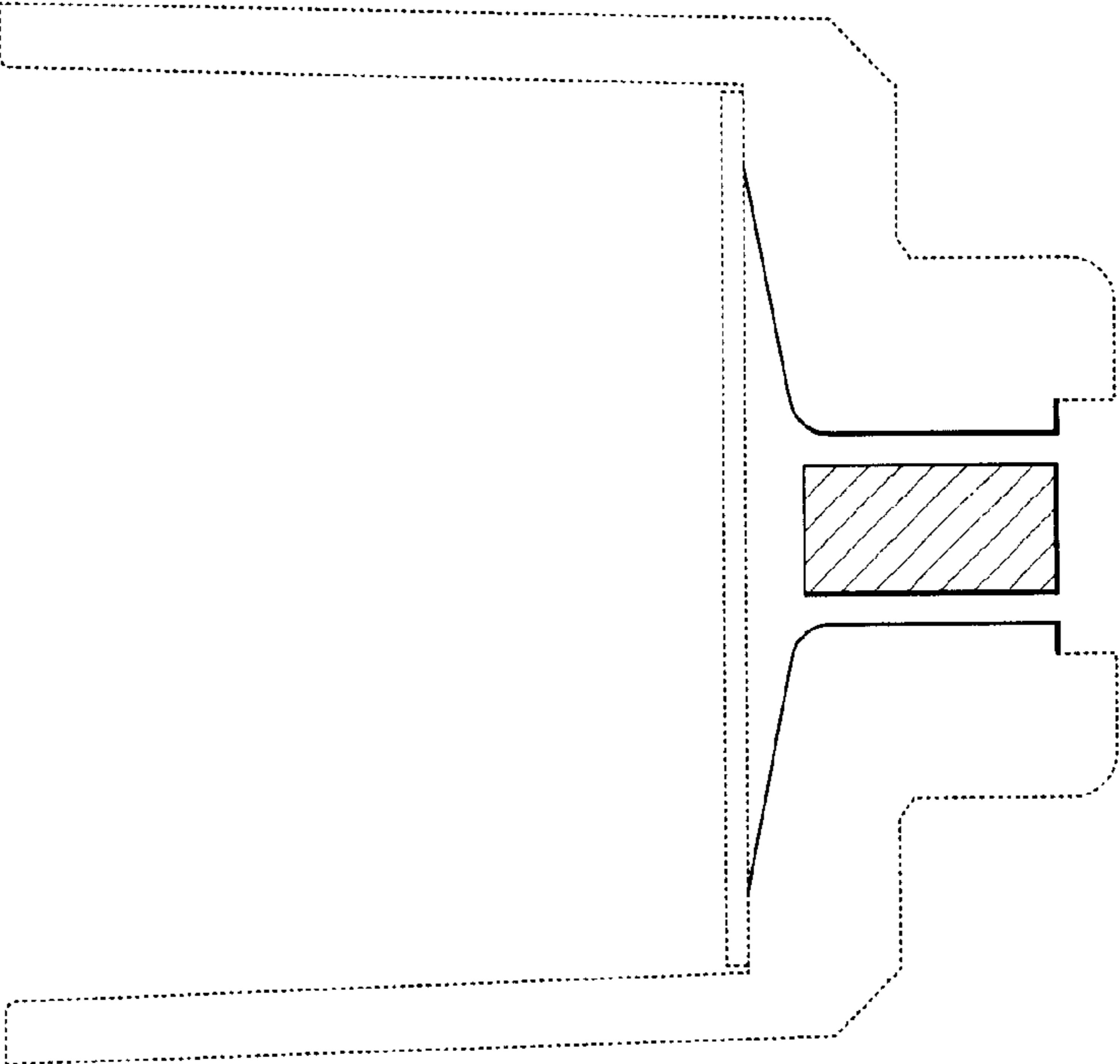


FIG.12

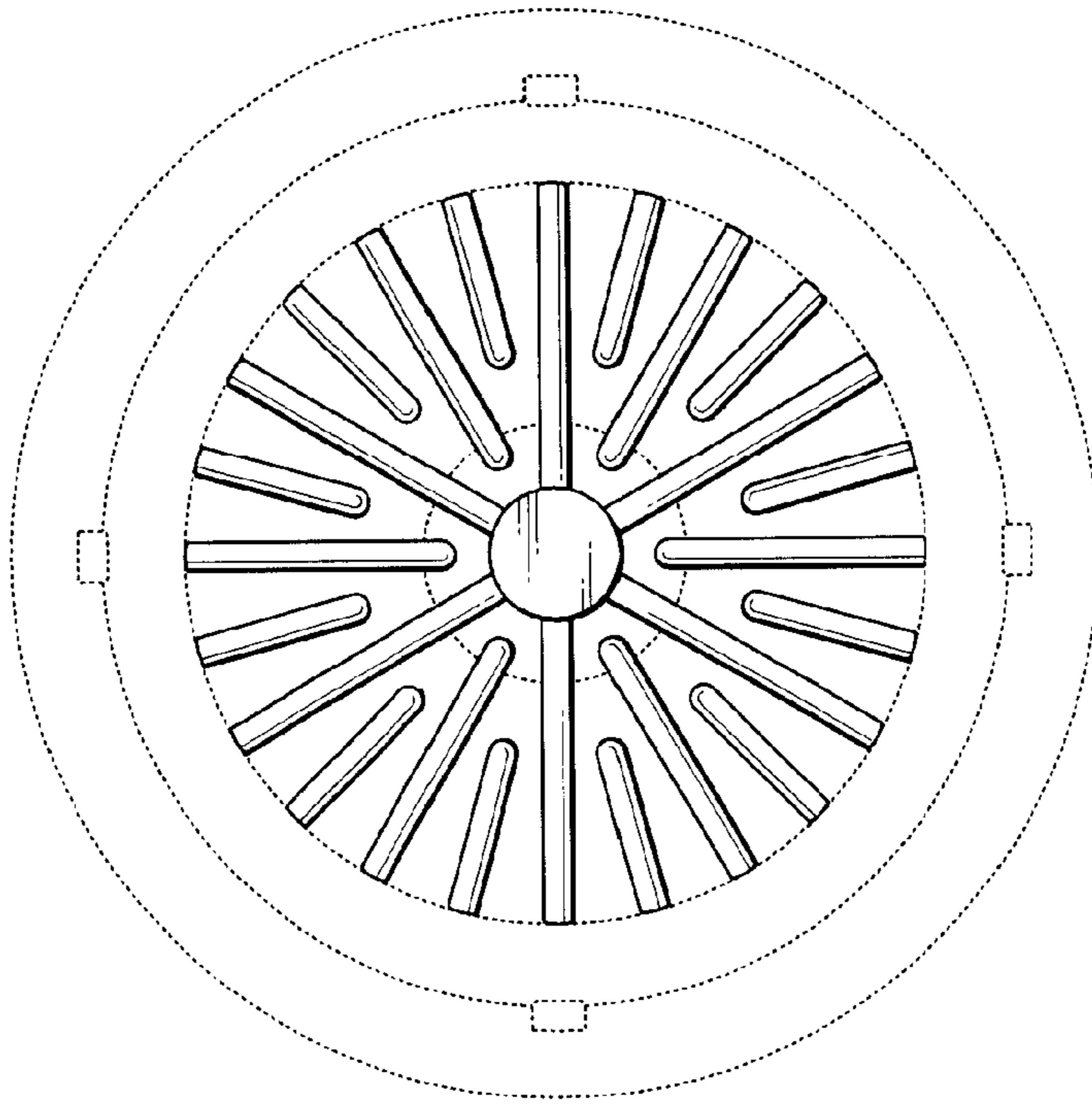


FIG.13

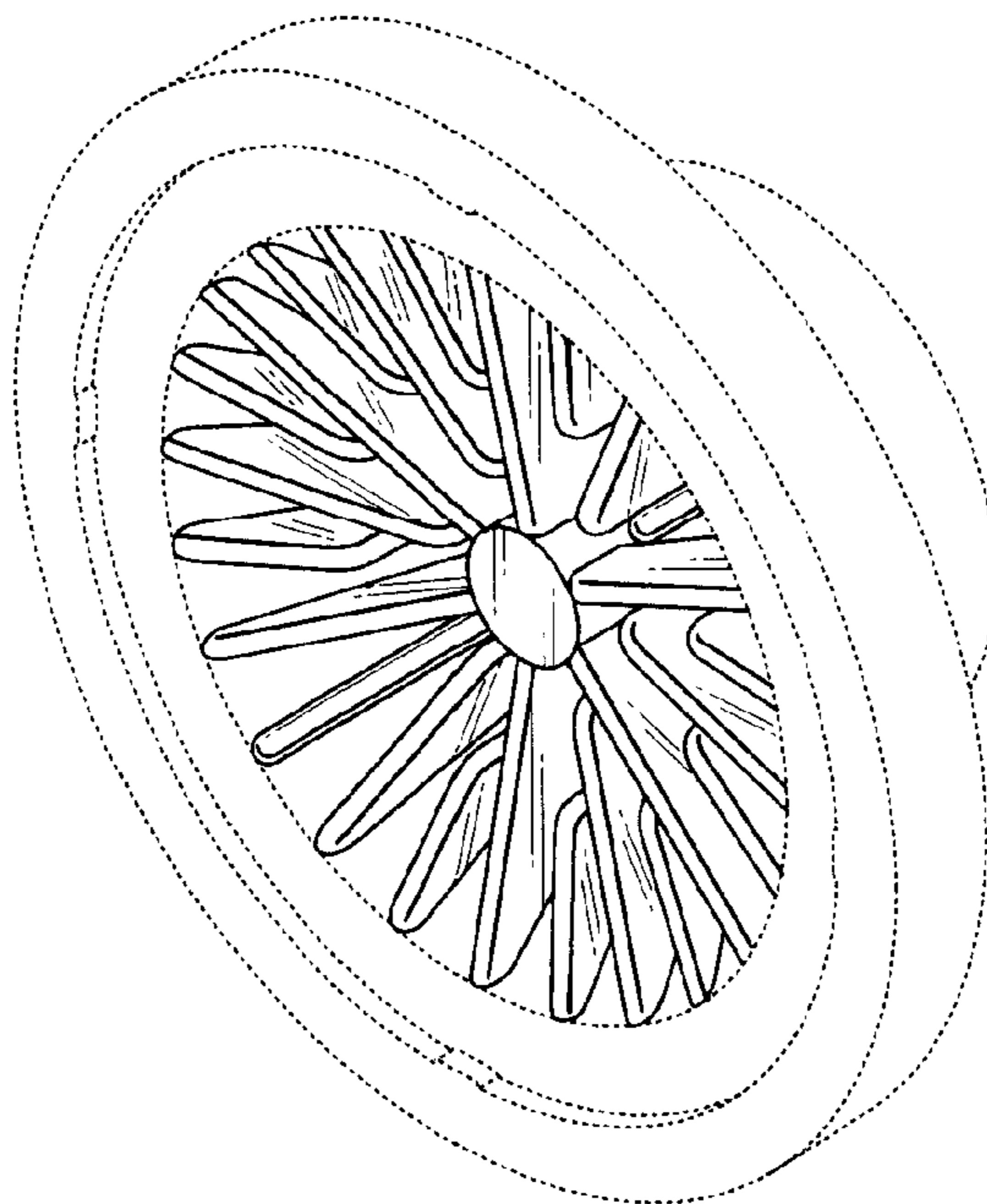


FIG. 14

