

US00D580048S

(12) **United States Design Patent**
Guney et al.

(10) **Patent No.:** **US D580,048 S**
(45) **Date of Patent:** **** Nov. 4, 2008**

(54) **SWIVEL ELBOW FOR MASK ASSEMBLY**

FOREIGN PATENT DOCUMENTS

(75) Inventors: **Memduh Guney**, Killara (AU);
Anthony Michael Ging, Vancouver
(CA); **Perry David Lithgow**, Glenwood
(AU); **Jim Saada**, Kellyville (AU);
Amal Shirley Amarasinghe, West
Pennant Hills (AU); **Joanne Elizabeth
Drew**, Balgowlah Heights (AU);
Borivoje Ljubojevic, Ryde (AU);
Timothy Tsun-Fai Fu, Carlingford (AU)

EP 1258266 11/2002

(Continued)

OTHER PUBLICATIONS

Gunaratnam et al., U.S. Appl. No. 29/214,556, filed Jun. 1, 2004.

(Continued)

Primary Examiner—Ian Simmons
Assistant Examiner—Christopher Lee

(73) Assignee: **ResMed Limited**, Bella Vista (AU)

(74) *Attorney, Agent, or Firm*—Nixon & Vanderhye P.C.

(**) Term: **14 Years**

(57) **CLAIM**

(21) Appl. No.: **29/287,918**

The ornamental appearance for a swivel elbow for mask assembly, as shown and described.

(22) Filed: **Oct. 2, 2007**

DESCRIPTION

Related U.S. Application Data

(60) Continuation of application No. 29/232,936, filed on Jun. 27, 2005, now Pat. No. Des. 556,897, which is a continuation of application No. 29/209,720, filed on Jul. 21, 2004, now Pat. No. Des. 540,464, which is a division of application No. 29/170,561, filed on Nov. 8, 2002, now Pat. No. Des. 496,098.

FIG. 1 is a front view of a swivel elbow for mask assembly according to a first embodiment of my/our design;

FIG. 2 is a rear view thereof;

FIG. 3 is a right side view thereof, with the left side view being a mirror image;

FIG. 4 is a top view thereof;

FIG. 5 is a bottom view thereof;

FIG. 6 is a front perspective view thereof;

FIG. 7 is a front view of a swivel elbow for mask assembly according to a second embodiment of my/our design;

FIG. 8 is a right side view thereof, with the left side view being a mirror image;

FIG. 9 is a top view thereof; and,

FIG. 10 is a bottom view thereof.

Where included, broken lines showing environment or structure are for illustrative purposes only and form no part of the claimed design.

(51) **LOC (8) Cl.** **29-02**

(52) **U.S. Cl.** **D24/110.1; D24/110.5;**
D24/129

(58) **Field of Classification Search** D24/110,
D24/110.1, 110.5, 110.6, 129, 164; D26/123;
128/207.13, 206.21, 205.25, 206.15, 205.24,
128/201.22

See application file for complete search history.

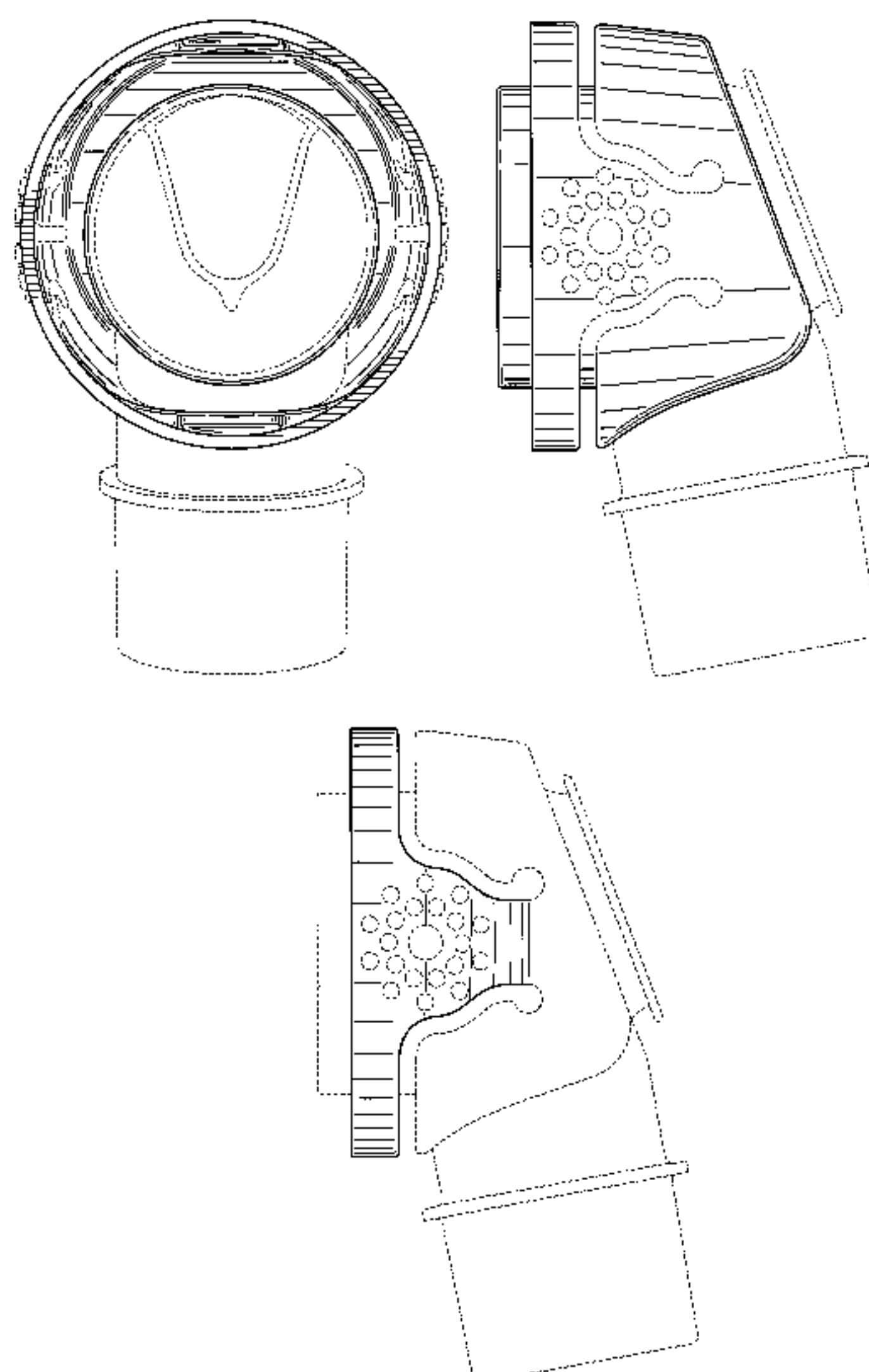
(56) **References Cited**

U.S. PATENT DOCUMENTS

443,191 A 12/1890 Illing

(Continued)

1 Claim, 8 Drawing Sheets



US D580,048 S

Page 2

U.S. PATENT DOCUMENTS

1,192,186 A 7/1916 Greene
 1,610,793 A 12/1926 Kaufman
 1,675,431 A 7/1928 Sharp
 2,931,356 A 4/1960 Schwarz
 D247,982 S 5/1978 Huddy
 4,167,185 A 9/1979 Lewis
 4,414,973 A 11/1983 Matheson et al.
 4,454,880 A 6/1984 Muto et al.
 H000397 H 1/1988 Stark
 4,739,755 A 4/1988 White et al.
 4,794,921 A 1/1989 Lindkvist
 4,807,617 A 2/1989 Nesti
 4,944,310 A 7/1990 Sullivan
 D335,367 S 5/1993 Mieskoski
 5,243,971 A 9/1993 Sullivan et al.
 5,245,995 A 9/1993 Sullivan et al.
 5,311,862 A 5/1994 Blasdell et al.
 5,349,949 A 9/1994 Schegerin
 5,535,739 A 7/1996 Rapoport et al.
 5,542,128 A 8/1996 Lomas
 D377,089 S 12/1996 Starr et al.
 5,657,752 A 8/1997 Landis et al.
 D383,204 S 9/1997 Lomas
 5,662,101 A 9/1997 Ogden et al.
 5,676,133 A 10/1997 Hickle et al.
 5,704,345 A 1/1998 Berthon-Jones
 5,709,204 A 1/1998 Lester
 5,724,965 A 3/1998 Handke et al.
 5,921,239 A 7/1999 McCall et al.
 5,937,851 A 8/1999 Serowski et al.
 5,979,133 A 11/1999 Funkhouser
 D423,096 S 4/2000 Kwok
 6,044,844 A 4/2000 Kwok et al.
 D428,139 S 7/2000 Smart
 D428,988 S 8/2000 Smart
 6,112,746 A 9/2000 Kwok et al.
 6,119,693 A 9/2000 Kwok et al.
 6,119,694 A 9/2000 Correa et al.
 6,192,886 B1 2/2001 Rudolph
 6,357,441 B1 3/2002 Kwok et al.
 6,374,826 B1 4/2002 Gunaratnam et al.
 D459,800 S 7/2002 Smart
 6,412,487 B1 7/2002 Gunaratnam et al.
 6,422,238 B1 7/2002 Lithgow
 D464,426 S 10/2002 Palkon et al.
 D464,427 S 10/2002 Smart
 D464,428 S 10/2002 Barnett et al.
 D464,728 S 10/2002 Paul
 6,457,473 B1 10/2002 Brostrom et al.
 6,467,483 B1 10/2002 Kopacko
 6,491,034 B1 12/2002 Gunaratnam et al.
 6,508,249 B2 1/2003 Hoenig
 6,513,526 B2 2/2003 Kwok et al.
 6,532,961 B1 3/2003 Kwok et al.
 6,550,070 B2 4/2003 Wiegand
 6,581,594 B1 6/2003 Drew et al.
 6,581,596 B1 6/2003 Truitt et al.
 D476,732 S 7/2003 Smart
 6,584,977 B1 7/2003 Serowski
 6,615,832 B1 9/2003 Chen
 6,619,288 B2 9/2003 Demers et al.
 6,631,718 B1 10/2003 Lovell
 6,634,358 B2 10/2003 Kwok et al.
 6,644,315 B2 11/2003 Ziaee
 D485,905 S 1/2004 Moore et al.
 D486,226 S 2/2004 Guney et al.
 D486,907 S 2/2004 Guney et al.
 6,691,707 B1 2/2004 Gunaratnam et al.
 D493,221 S 7/2004 Smart

D495,797 S 9/2004 Guney et al.
 D496,098 S 9/2004 Guney et al.
 6,796,308 B2 9/2004 Gunaratnam et al.
 D498,530 S 11/2004 Smart
 D505,489 S 5/2005 Sleeper
 D506,827 S 6/2005 Jones et al.
 6,907,882 B2 6/2005 Ging
 D507,348 S 7/2005 Moore et al.
 D515,204 S 2/2006 Guney et al.
 7,011,090 B2 3/2006 Drew et al.
 D535,023 S 1/2007 Smart et al.
 D537,523 S 2/2007 Dantanarayana et al.
 D540,464 S 4/2007 Guney et al.
 D540,941 S 4/2007 Ging et al.
 D545,961 S 7/2007 Hitchcock et al.
 D552,731 S 10/2007 Moore et al.
 D556,897 S 12/2007 Guney et al.
 D557,408 S 12/2007 Amarasinghe et al.
 D557,411 S 12/2007 Smart et al.
 D558,333 S 12/2007 Hitchcock et al.
 2001/0020474 A1 9/2001 Hecker et al.
 2001/0032648 A1 10/2001 Jestrabek-Hart
 2002/0023650 A1 2/2002 Gunaratnam et al.
 2002/0144684 A1 10/2002 Moone
 2003/0005931 A1 1/2003 Jaffre et al.
 2003/0075180 A1 4/2003 Raje et al.
 2003/0089373 A1 5/2003 Gradon et al.
 2003/0196657 A1 10/2003 Ging et al.
 2004/0094157 A1 5/2004 Dantanarayana et al.
 2005/0022820 A1 2/2005 Kwok et al.
 2005/0172969 A1 8/2005 Ging et al.
 2006/0124131 A1 6/2006 Chandran et al.

FOREIGN PATENT DOCUMENTS

EP 1 314 446 5/2003
 FR 2618340 1/1989
 FR 2735030 12/1996
 GB 799225 8/1958
 GB 2264646 9/1993
 GB 2379886 3/2003
 WO WO 87/01950 4/1987
 WO WO 98/04310 2/1998
 WO WO 98/12965 4/1998
 WO WO 99/61088 12/1999
 WO WO 00/69521 11/2000
 WO WO 00/78381 12/2000
 WO WO 00/78384 12/2000
 WO WO 01/32250 5/2001
 WO WO 01/62326 8/2001
 WO WO 02/11804 2/2002
 WO WO 02/096342 12/2002
 WO WO 2004/022147 3/2004
 WO WO 2004/096332 11/2004
 WO WO 2005/015468 6/2005

OTHER PUBLICATIONS

Ging et al., U.S. Appl. No. 10/390,720, filed Mar. 19, 2003.
 Scheiner et al., U.S. Appl. No. 29/266,941, filed Oct. 2, 2006.
 Smart, U.S. Appl. No. 29/258,791, filed Apr. 28, 2006.
 Lubke et al., U.S. Appl. No. 29/258,792, filed Apr. 28, 2006.
 Selvarajan et al., U.S. Appl. No. 29/261,579, filed Jun. 16, 2006.
 Kooij et al., U.S. Appl. No. 29/257,607, filed Apr. 7, 2006.
 Fu et al., U.S. Appl. No. 60/682,827, filed May 20, 2005.
 Fu et al., U.S. Appl. No. 60/721,967, filed Sep. 30, 2005.
 Edwards et al., U.S. Appl. No. 29/257,532, filed Apr. 2006.
 Hitchcock et al., U.S. Appl. No. 29/272,803, filed Feb. 20, 2007.
 European Search Report for EP 03252572, dated Jan. 13, 2004, 5 pages.
 U.S. Appl. No. 29/209,720, filed Jul. 2004, Guney et al.
 Parent U.S. Appl. No. 29/232,936, filed Jun. 27, 2005, Guney et al.

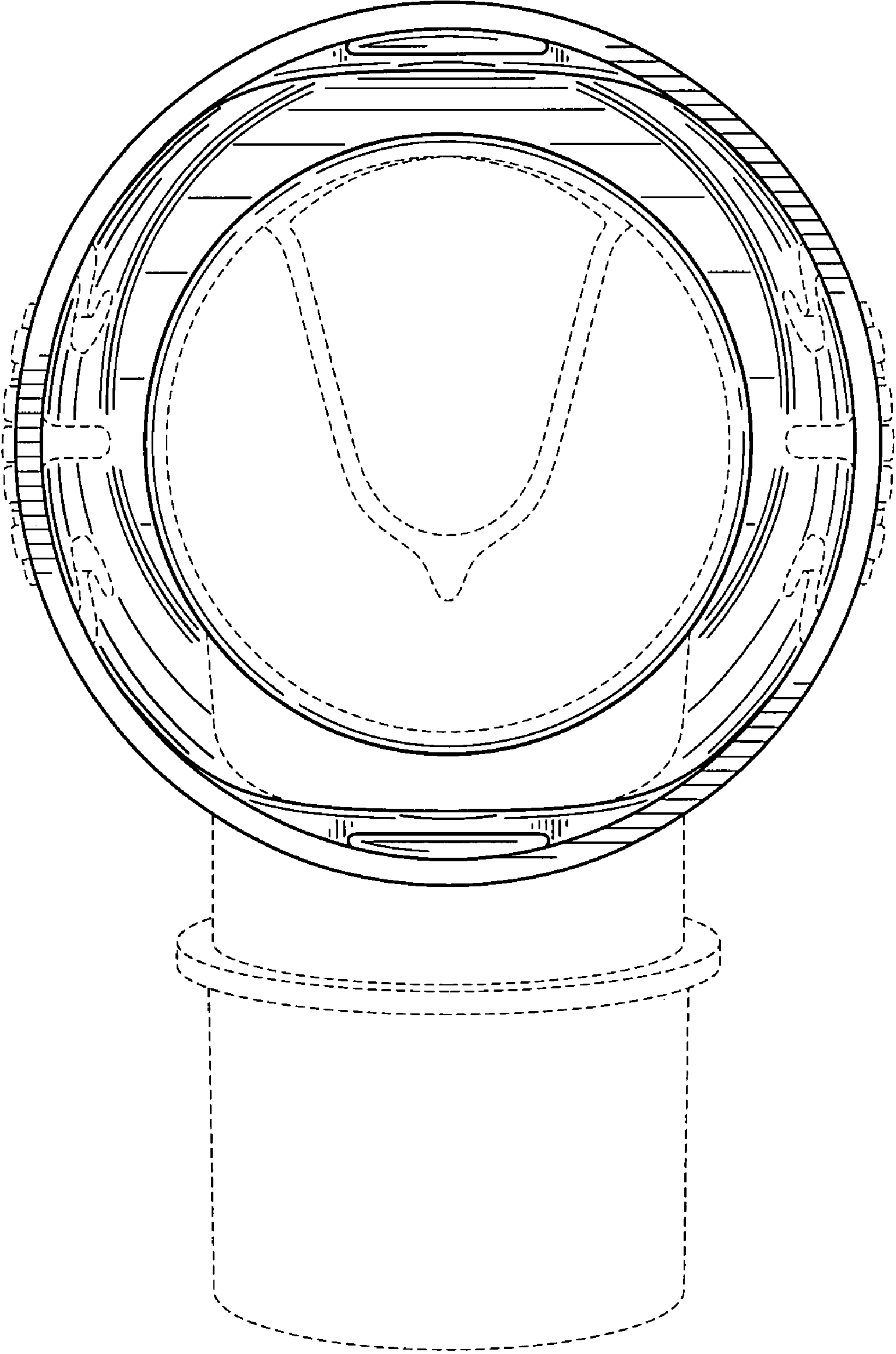


FIG. 1

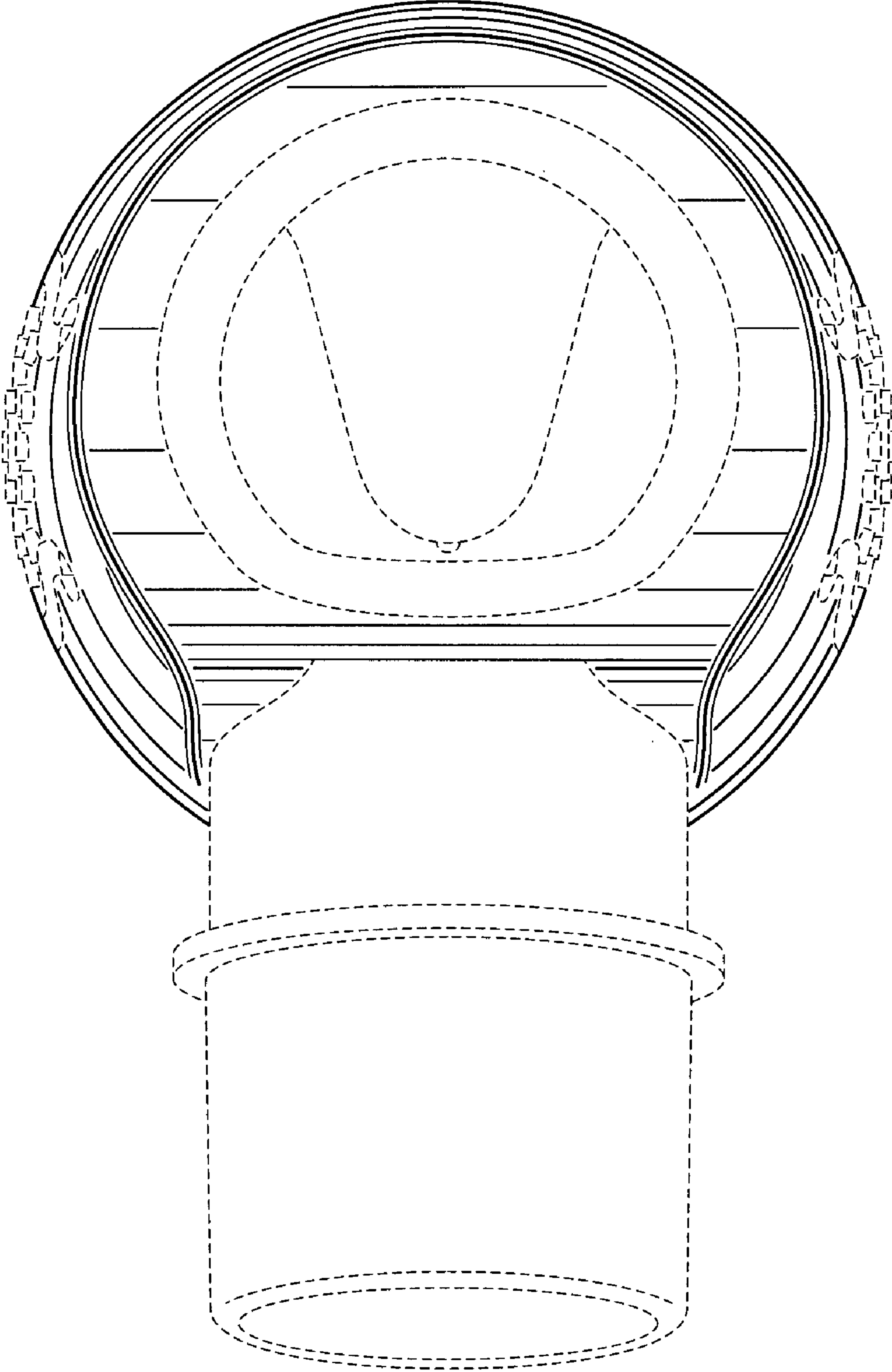


FIG. 2

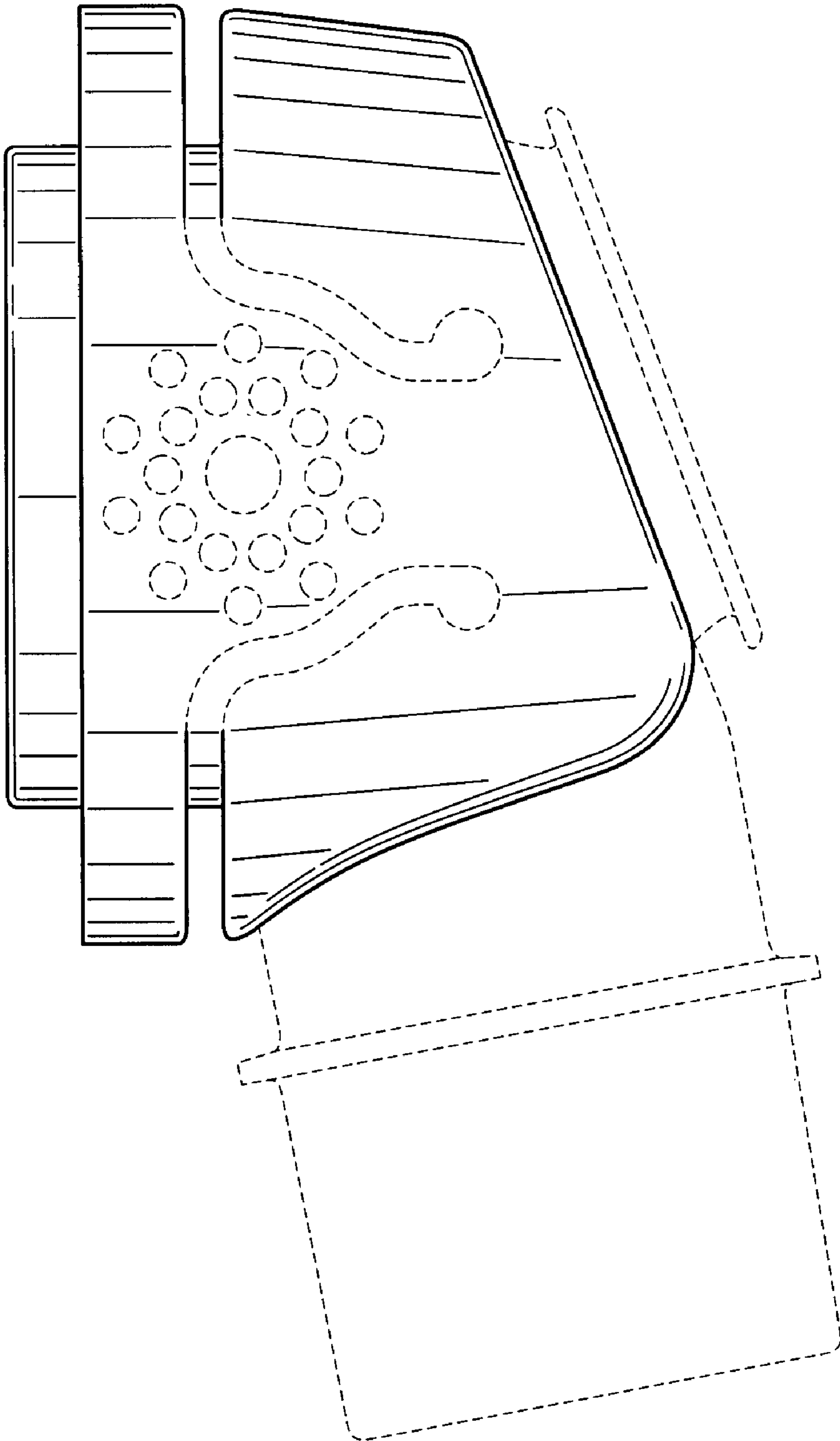


FIG. 3

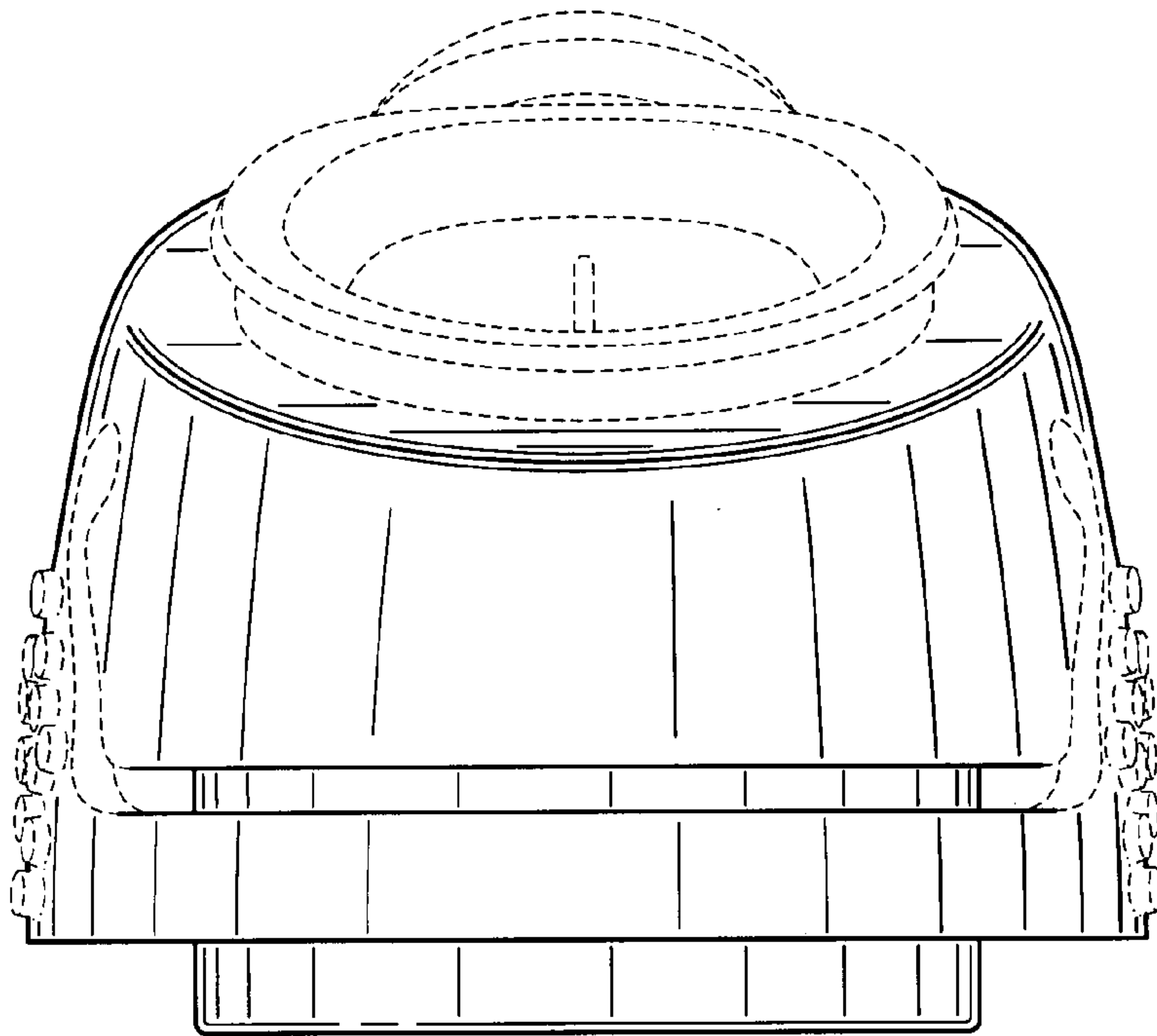


FIG. 4

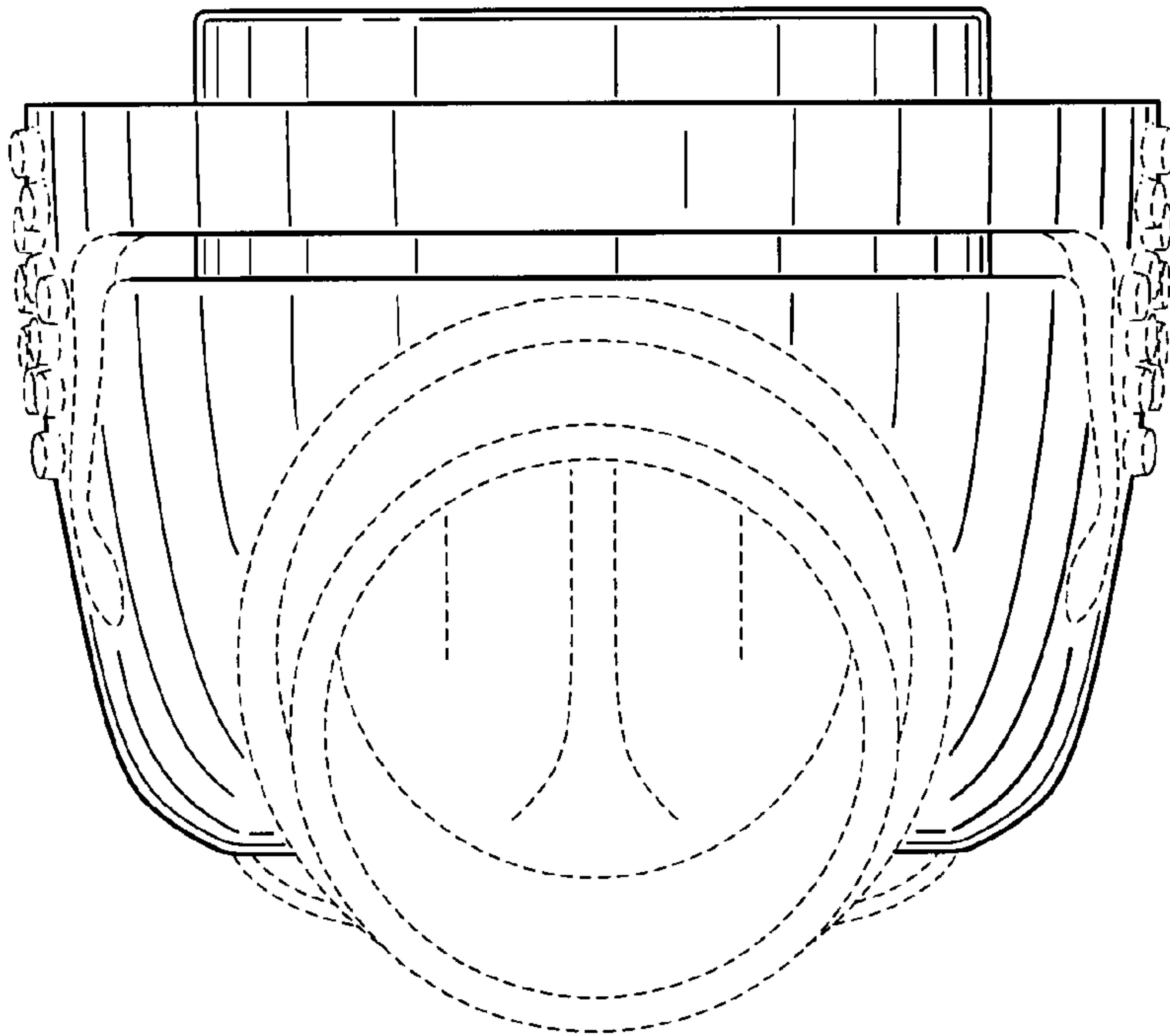


FIG. 5

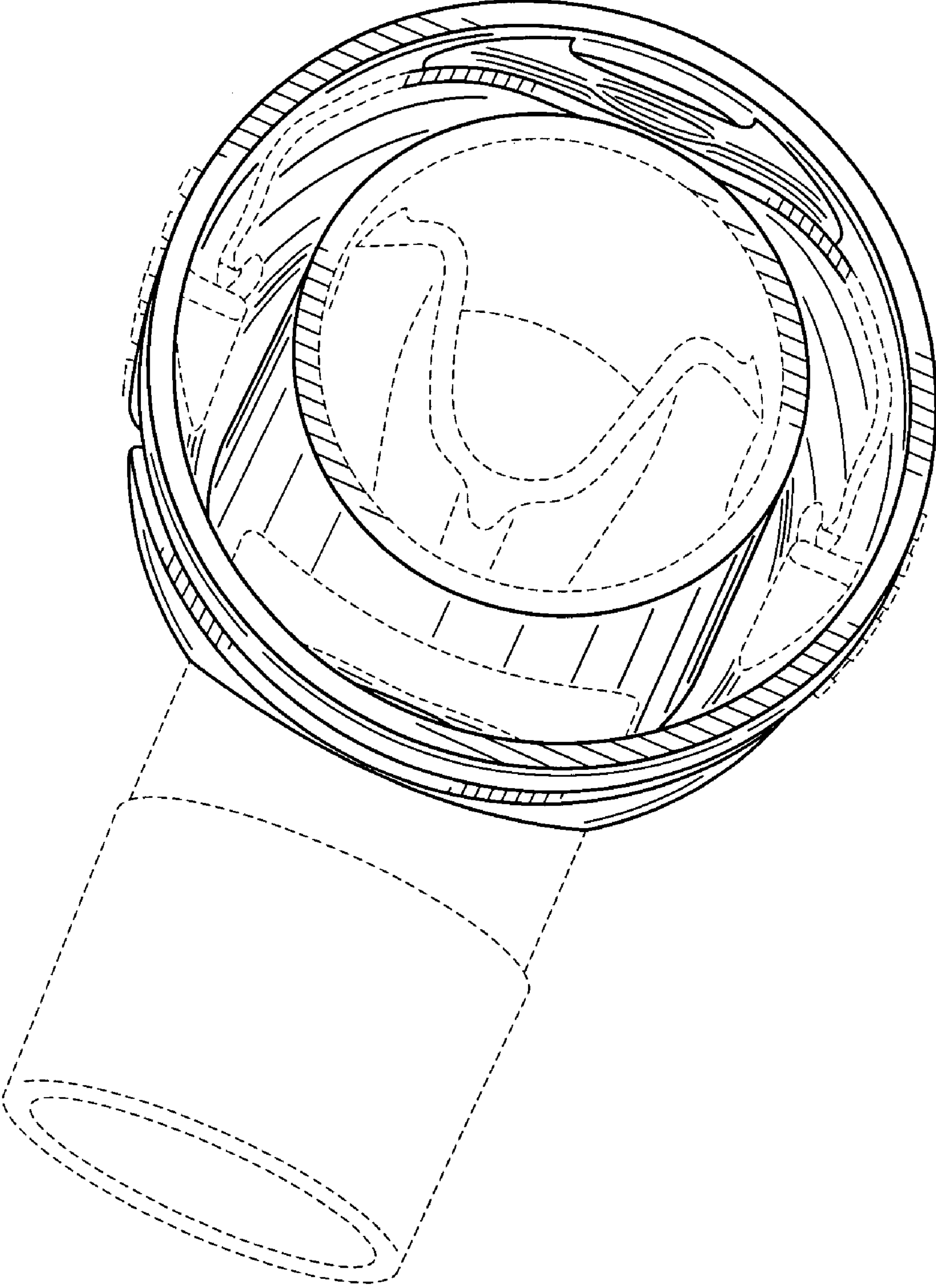


FIG. 6

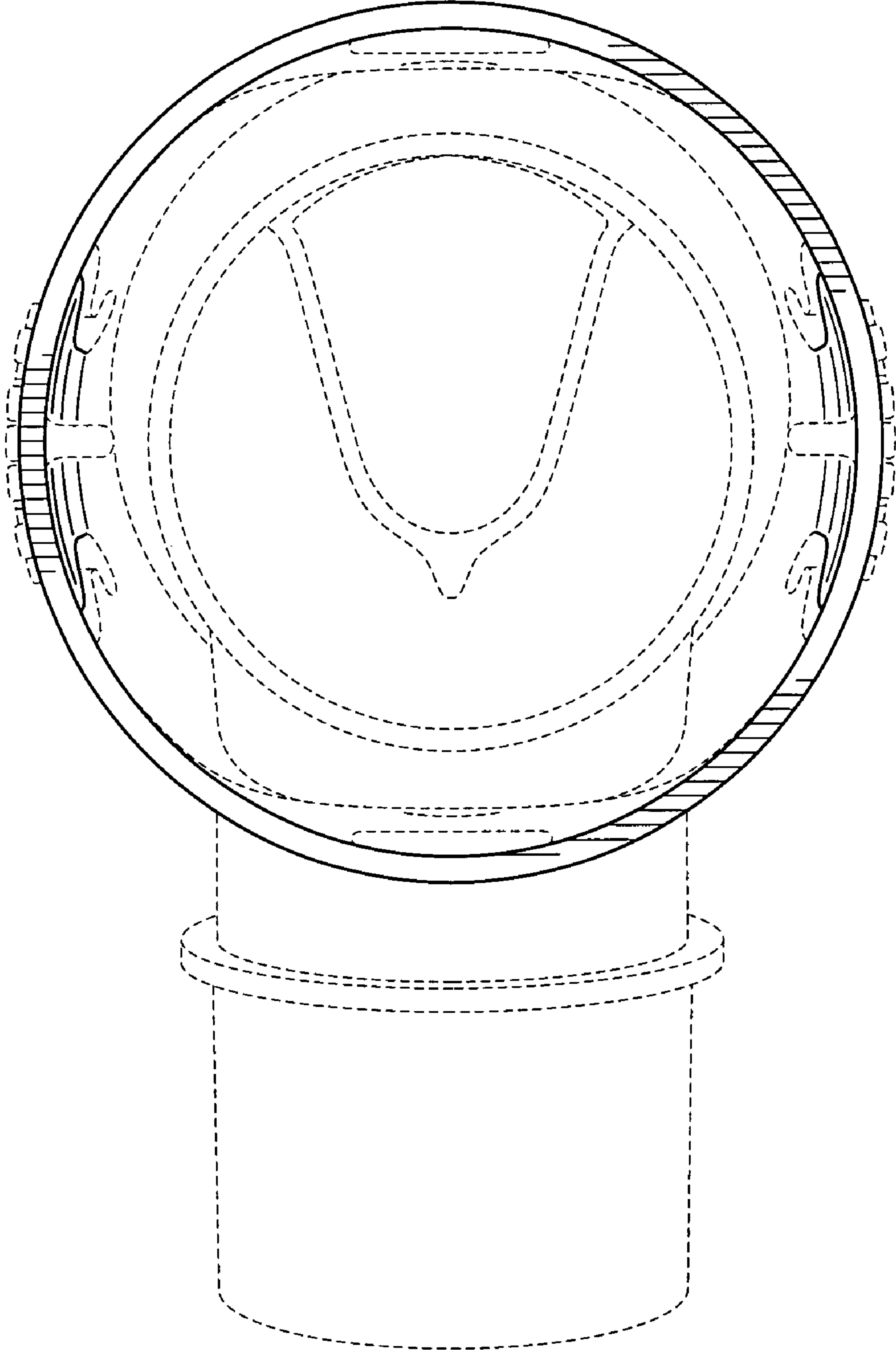


FIG. 7

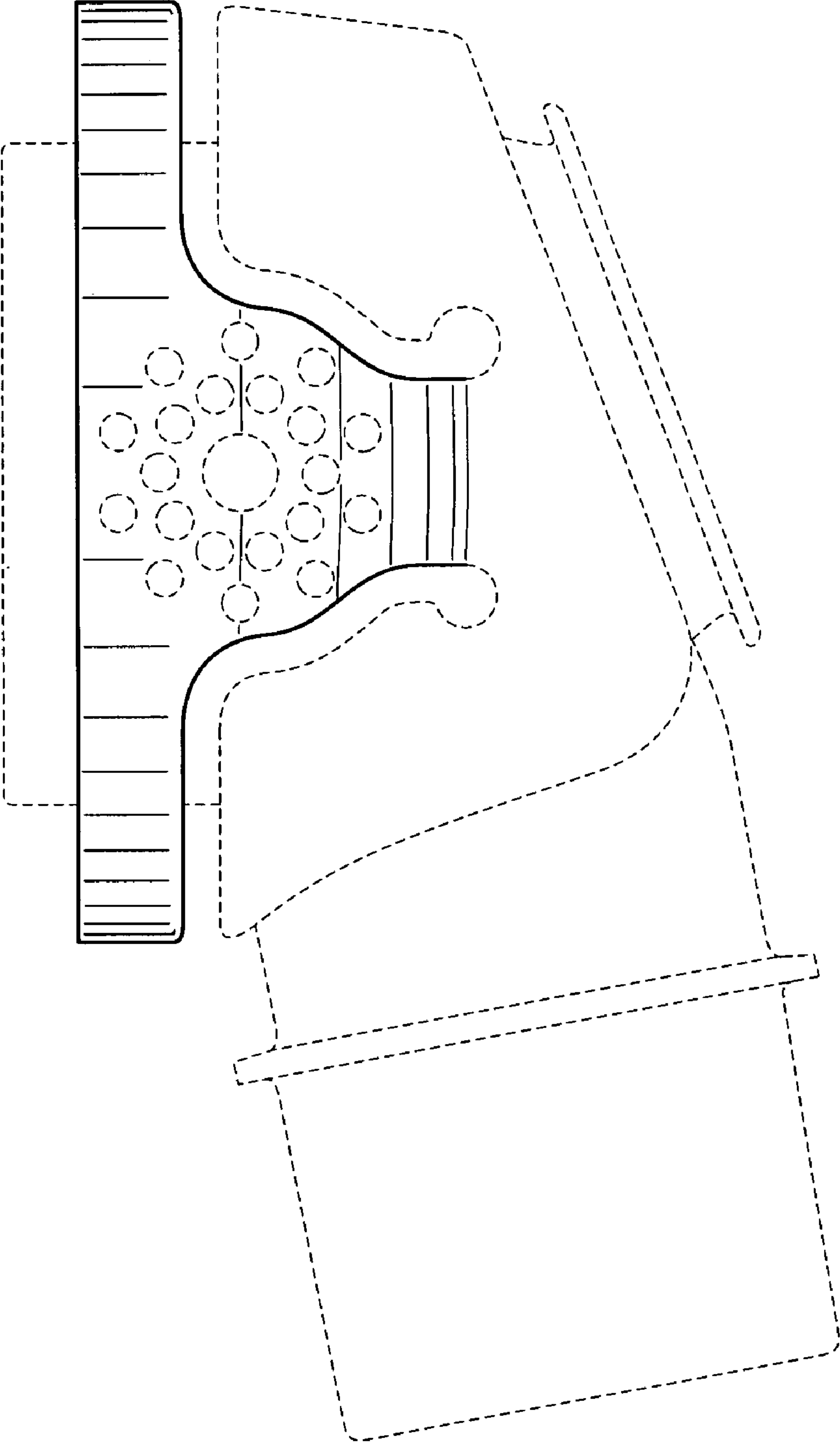


FIG. 8

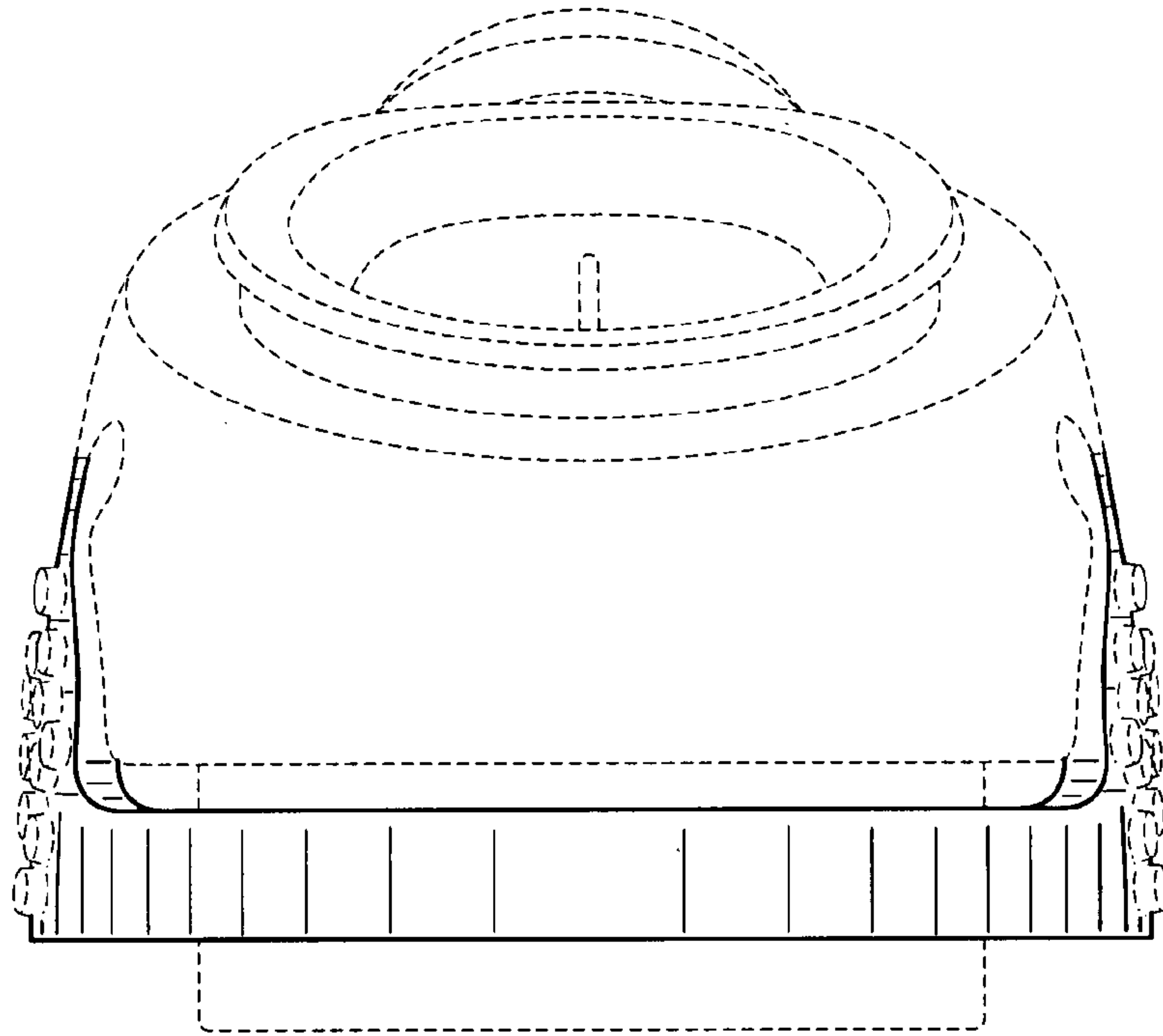


FIG. 9

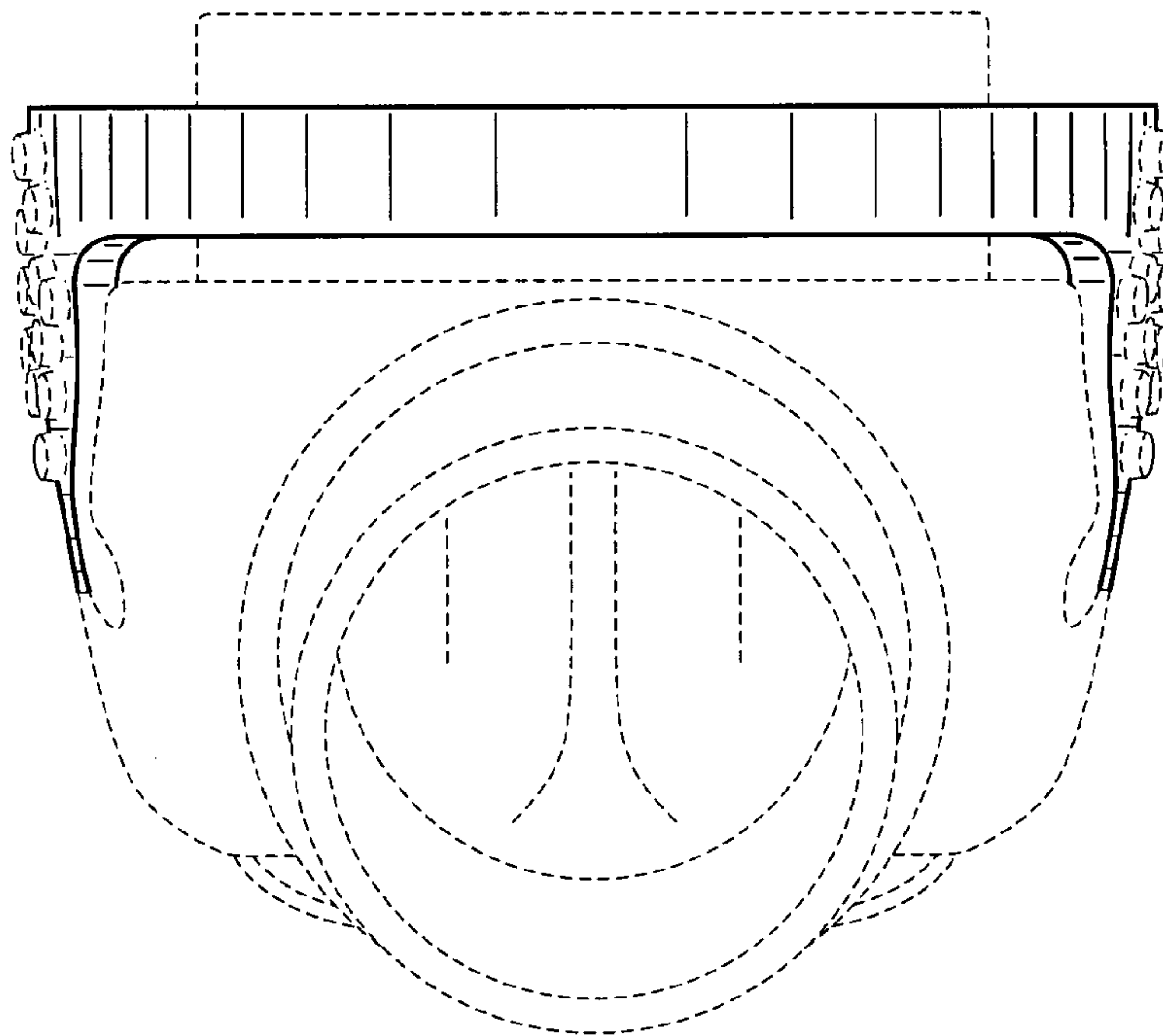


FIG. 10