



US00D580046S

(12) **United States Design Patent**
Pukall et al.

(10) **Patent No.:** **US D580,046 S**
(45) **Date of Patent:** **** Nov. 4, 2008**

(54) **MEDICAL DRAINAGE PUMP**

(75) Inventors: **Britta Pukall**, Männedorf (CH);
Therese Naef, Baden (CH); **Ivo Ramella**, Ebikon (CH); **Urs Koch**, Greppen (CH)

(73) Assignee: **Medela Holding AG**, Baar (CH)

(**) Term: **14 Years**

(21) Appl. No.: **29/302,282**

(22) Filed: **Jan. 14, 2008**

Related U.S. Application Data

(62) Division of application No. 29/268,573, filed on Nov. 9, 2006.

(51) **LOC (8) Cl.** **24-01**

(52) **U.S. Cl.** **D24/108; D24/111**

(58) **Field of Classification Search** D24/108,
D24/113, 111, 129, 109; 604/30, 33, 35,
604/154, 155, 74, 76; 128/DIG. 1, DIG. 12
See application file for complete search history.

(56) **References Cited**

U.S. PATENT DOCUMENTS

4,006,743 A * 2/1977 Kowarski 600/309
5,830,187 A * 11/1998 Kriesel et al. 604/132
5,921,962 A * 7/1999 Kriesel et al. 604/132
D439,341 S * 3/2001 Tumey et al. D24/169
6,196,992 B1 * 3/2001 Keilman et al. 604/67
D461,891 S * 8/2002 Moberg D24/111
D471,274 S * 3/2003 Diaz et al. D24/111

D484,146 S * 12/2003 Urano et al. D15/7
D520,024 S * 5/2006 Chen D15/7
D544,092 S * 6/2007 Lewis D24/108
D564,087 S * 3/2008 Yodfat et al. D24/108
2008/0045887 A1 * 2/2008 Larsson et al. 604/74

* cited by examiner

Primary Examiner—Ian Simmons

Assistant Examiner—Carissa C Fitts

(74) *Attorney, Agent, or Firm*—McDonnell Boehnen Hulbert & Berghoff LLP

(57) **CLAIM**

The ornamental design for a medical drainage pump, as shown and described.

DESCRIPTION

FIG. 1 is a right front side perspective view of a medical drainage pump showing our new design;

FIG. 2 is a left front left perspective view of the medical drainage pump of FIG. 1;

FIG. 3 is a bottom view of the medical drainage pump of FIG. 1;

FIG. 4 is a front view of the medical drainage pump of FIG. 1;

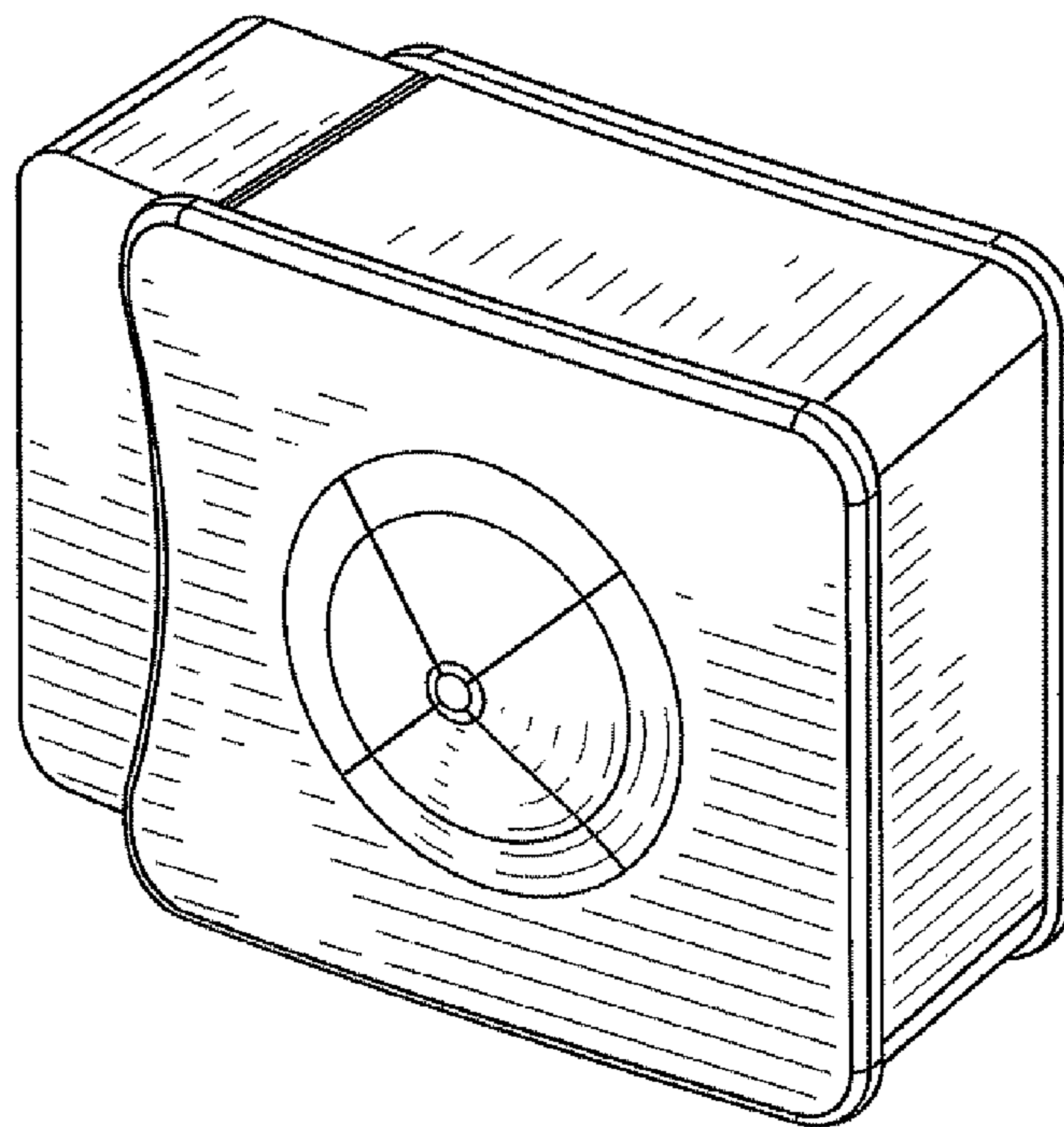
FIG. 5 is a rear view of the medical drainage pump of FIG. 1;

FIG. 6 is a right side view of the medical drainage pump of FIG. 1;

FIG. 7 is a left side view of the medical drainage pump of FIG. 1; and,

FIG. 8 is a top view of medical drainage pump of FIG. 1.

1 Claim, 3 Drawing Sheets



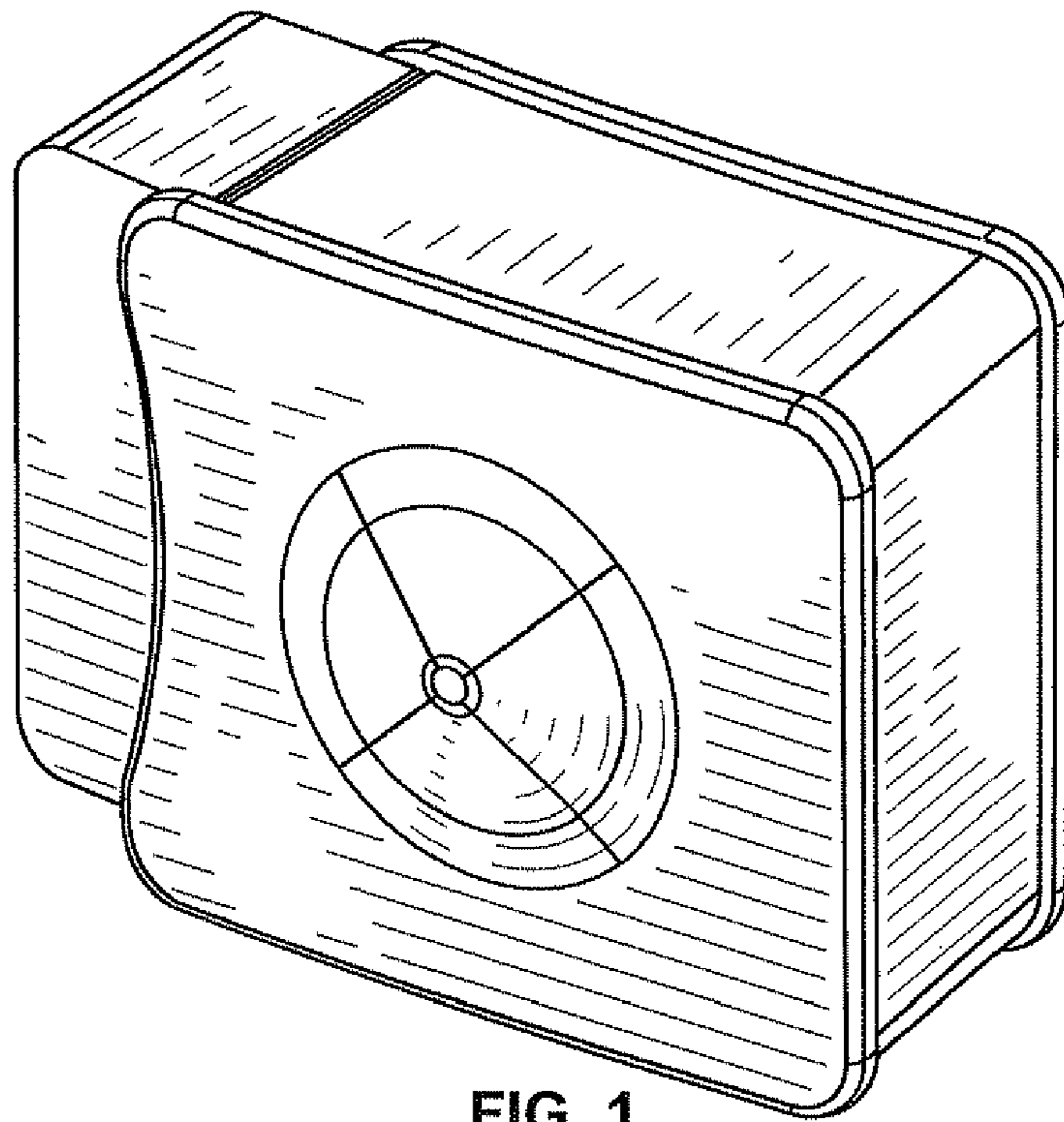


FIG. 1

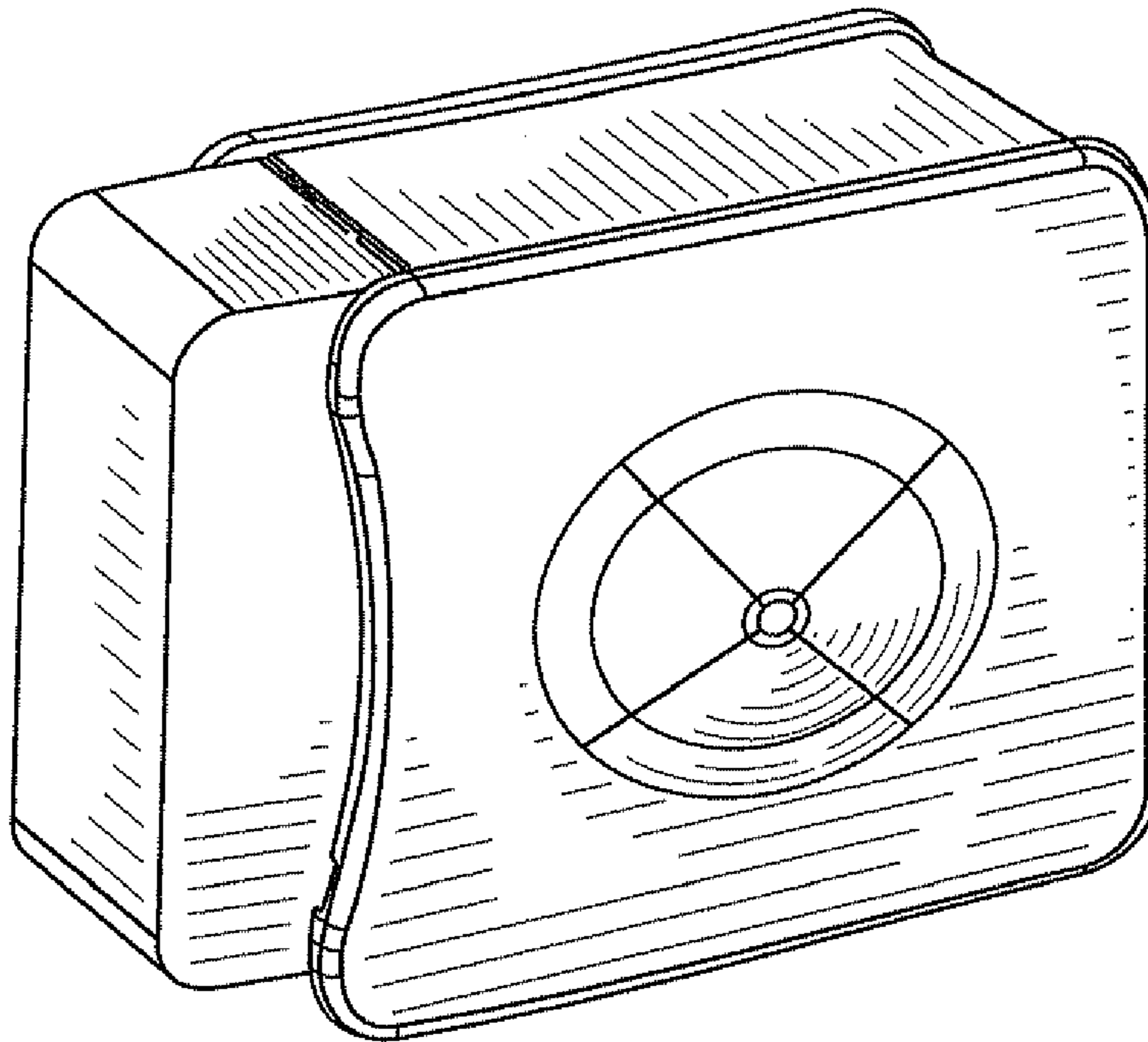


FIG. 2

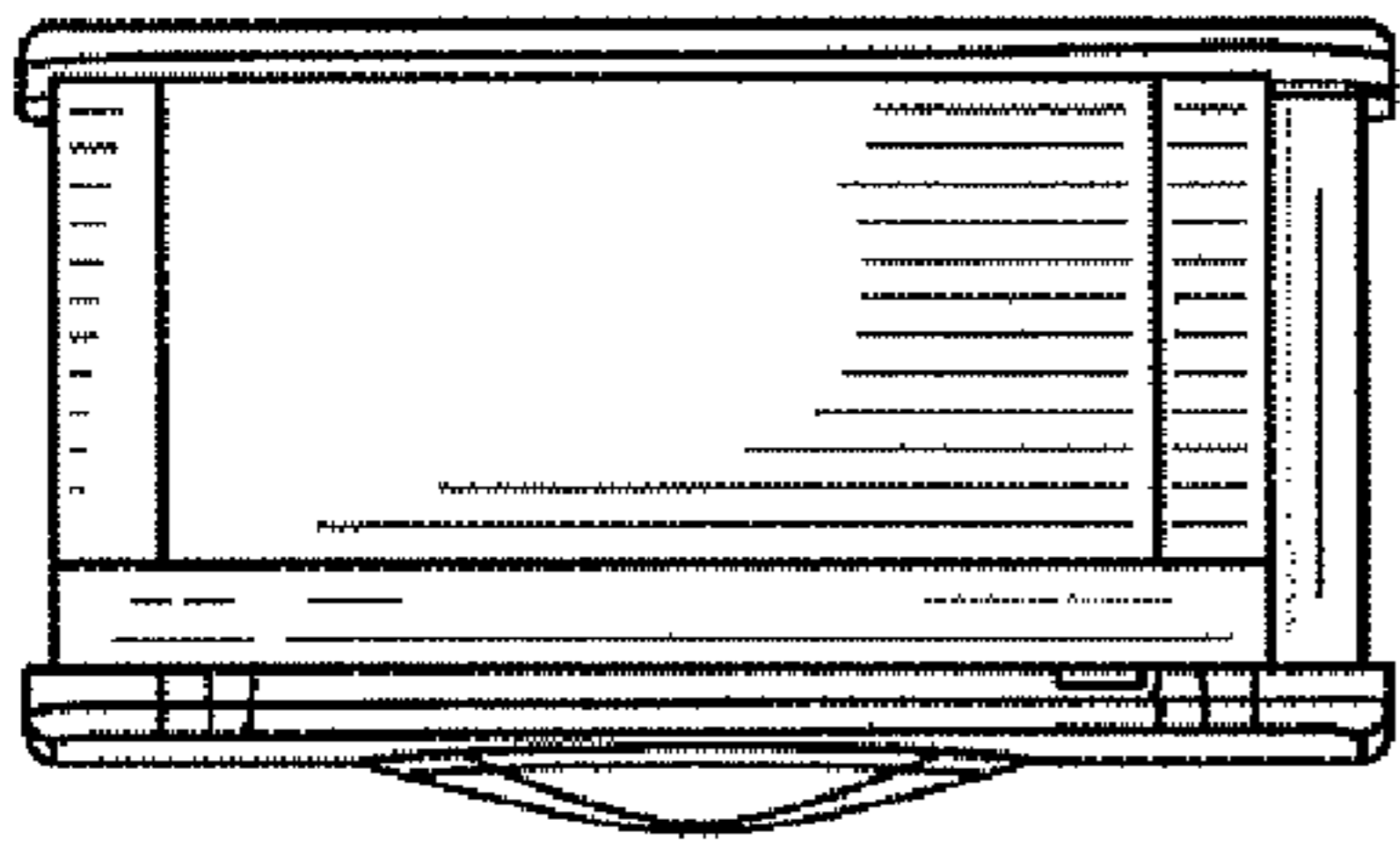


FIG. 4

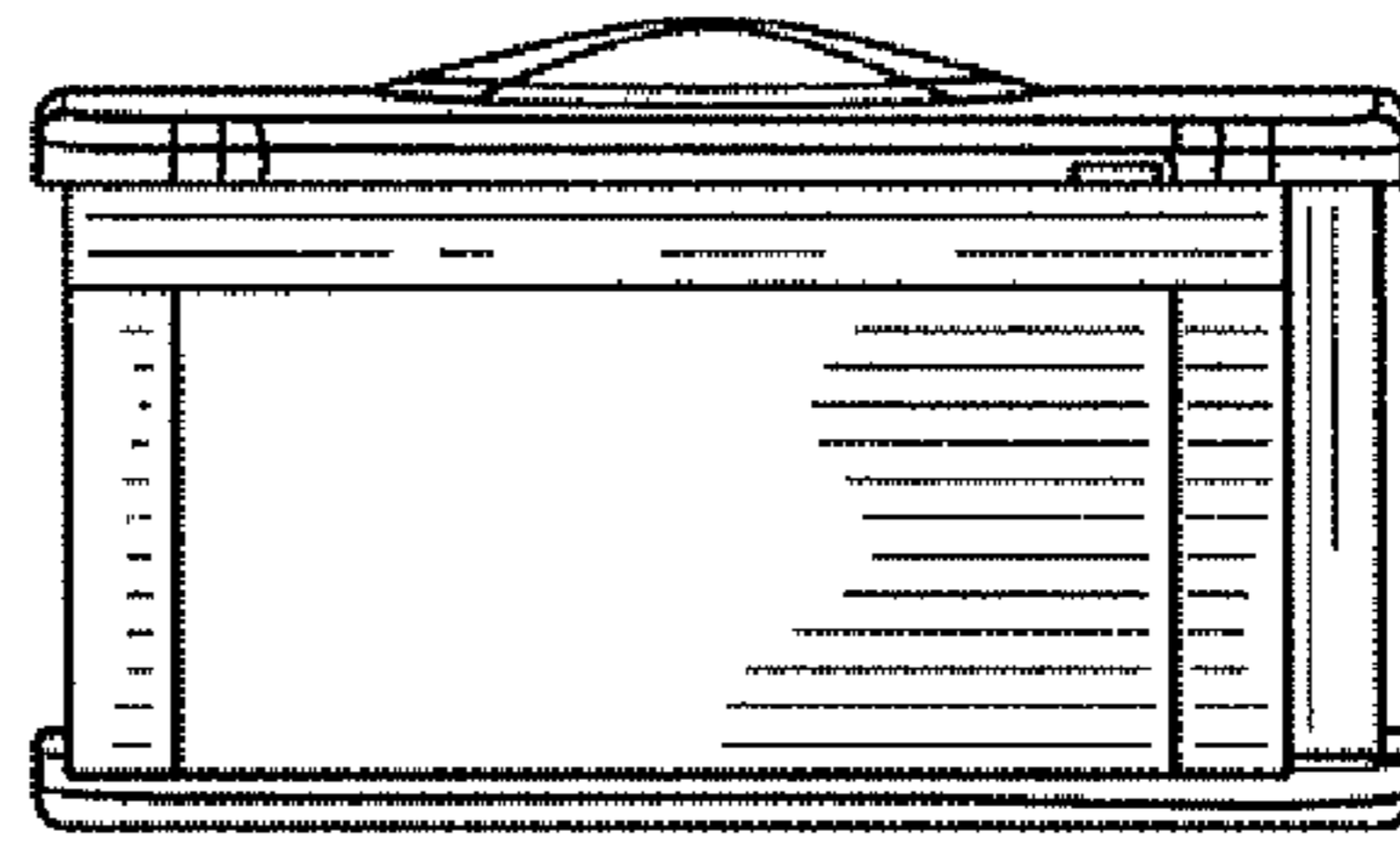


FIG. 6

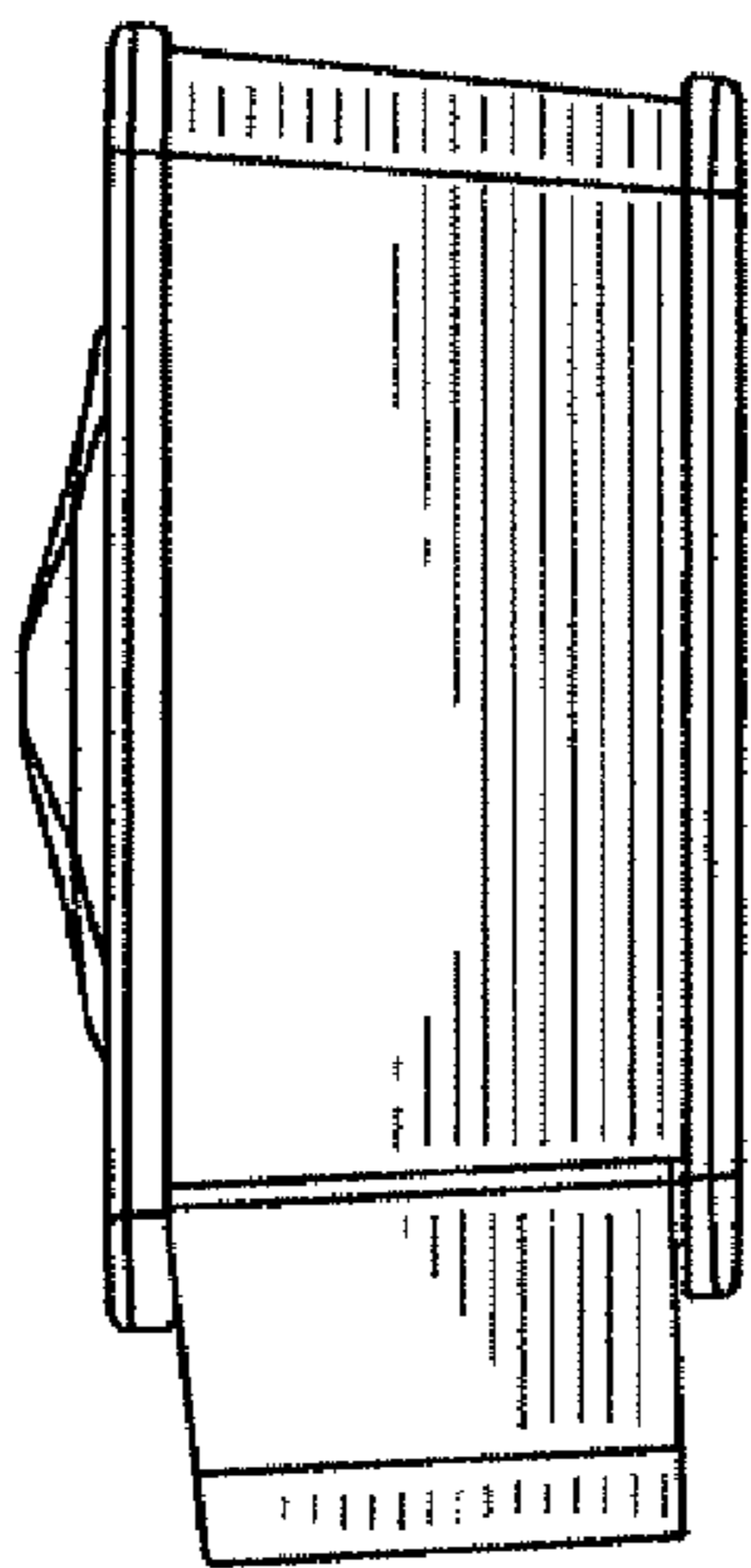


FIG. 3

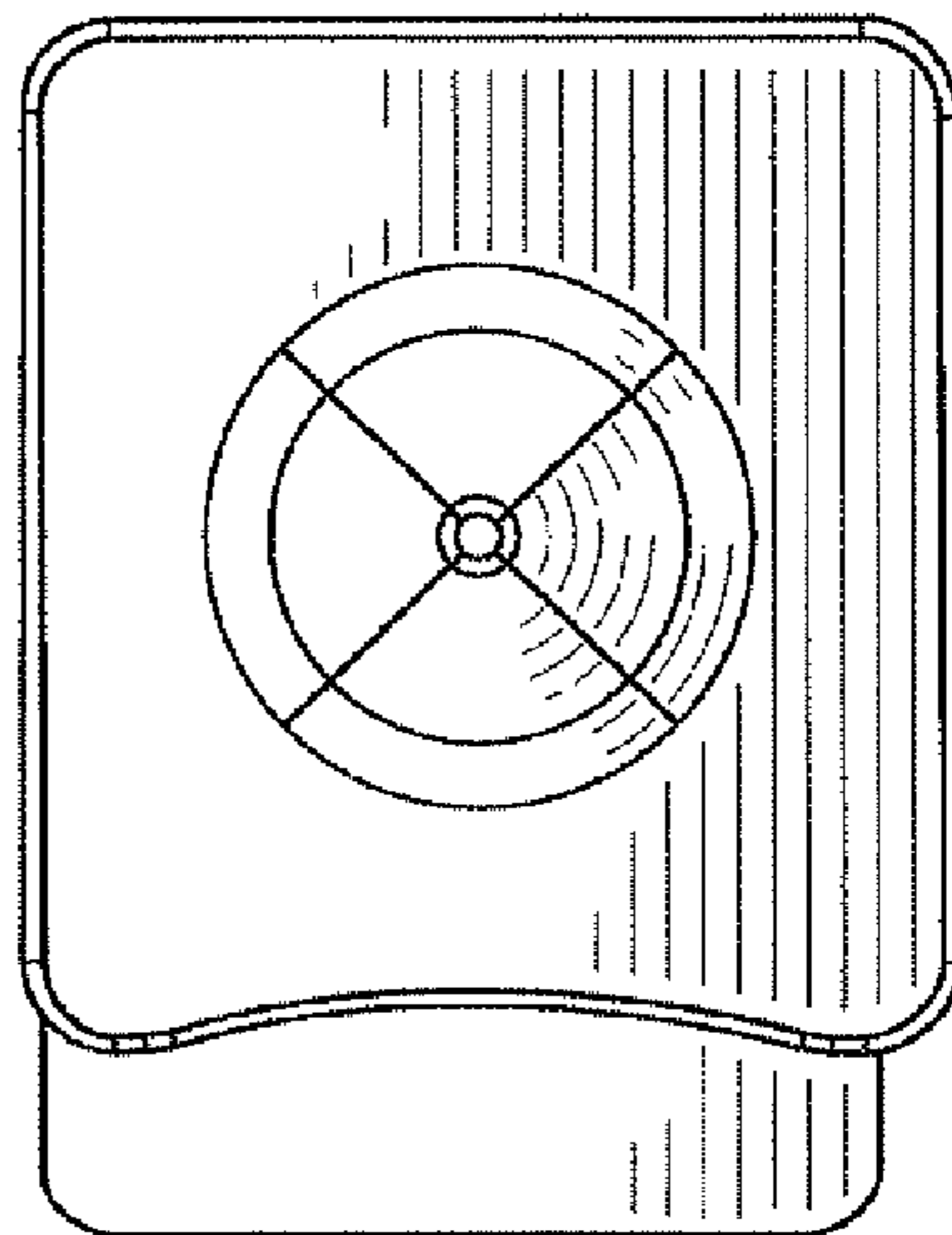


FIG. 5

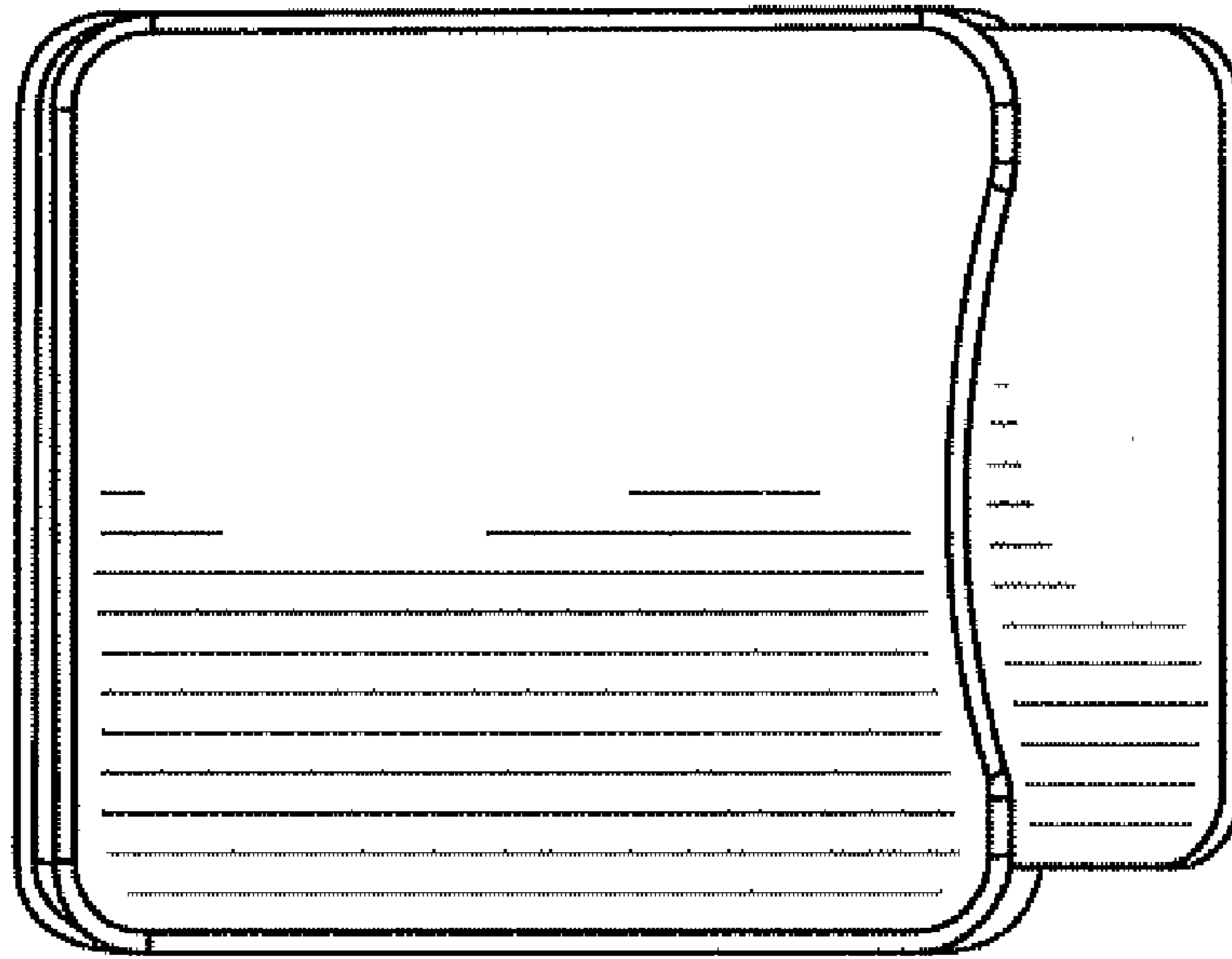


FIG. 7

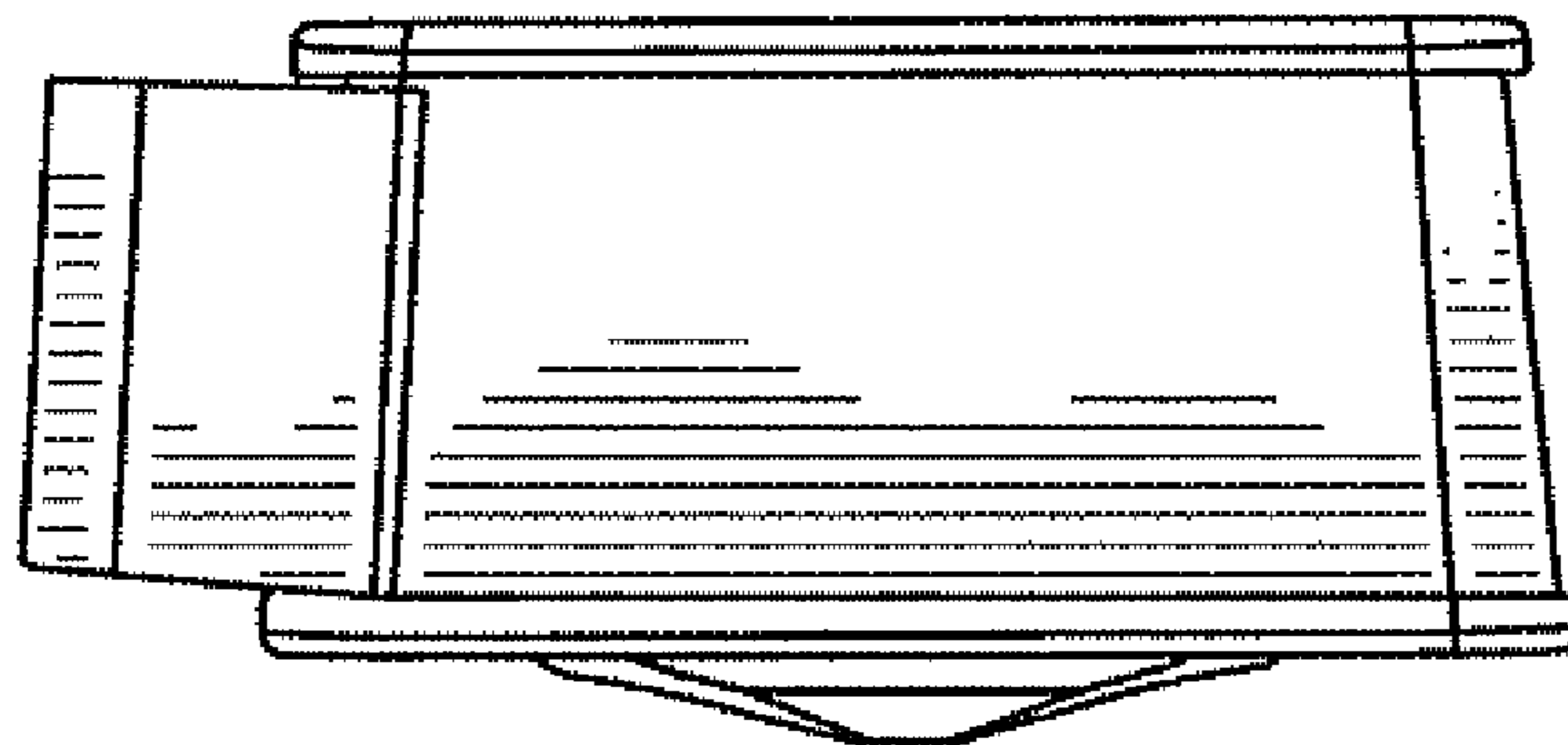


FIG. 8

UNITED STATES PATENT AND TRADEMARK OFFICE
CERTIFICATE OF CORRECTION

PATENT NO. : Des. 580,046 S
APPLICATION NO. : 29/302282
DATED : November 4, 2008
INVENTOR(S) : Pukall et al.

Page 1 of 1

It is certified that error appears in the above-identified patent and that said Letters Patent is hereby corrected as shown below:

On the title page:

At item (30), the foreign priority application is missing. Please add
-- (CH) 132.757 May 9, 2006 --

Signed and Sealed this

Twenty-eighth Day of April, 2009



JOHN DOLL
Acting Director of the United States Patent and Trademark Office