



US00D580045S

(12) **United States Design Patent**
Orozco

(10) **Patent No.:** **US D580,045 S**

(45) **Date of Patent:** **** Nov. 4, 2008**

- (54) **CEILING FAN BLADE**
- (75) Inventor: **Sergio Orozco**, West New York, NJ (US)
- (73) Assignee: **King of Fans, Inc.**, Fort Lauderdale, FL (US)
- (**) Term: **14 Years**
- (21) Appl. No.: **29/282,600**
- (22) Filed: **Jul. 25, 2007**

- D485,346 S 1/2004 Bucher et al.
- D485,347 S 1/2004 Bucher et al.
- D495,817 S 9/2004 Bucher et al.
- D496,119 S 9/2004 Bucher et al.
- D497,022 S 10/2004 Bucher et al.
- D500,160 S 12/2004 Bucher et al.
- D500,161 S 12/2004 Bucher et al.
- D500,876 S 1/2005 Bucher et al.
- D510,992 S 10/2005 Bucher
- D532,105 S * 11/2006 Badarello D23/413
- D543,618 S * 5/2007 Pickett D23/413

Related U.S. Application Data

- (62) Division of application No. 29/251,310, filed on Jan. 5, 2006, now Pat. No. Des. 548,321.

- (51) **LOC (8) Cl.** **23-04**
- (52) **U.S. Cl.** **D23/413**
- (58) **Field of Classification Search** D23/377, D23/379, 411, 413; 416/5
See application file for complete search history.

(56) **References Cited**

U.S. PATENT DOCUMENTS

- D364,224 S 11/1995 Wang
- D371,838 S 7/1996 Davis, Jr. et al.
- D378,404 S 3/1997 Jaspers-Fayer
- D402,026 S 12/1998 Chuang et al.
- D408,518 S 4/1999 Liu
- D411,295 S 6/1999 Evans
- D412,571 S 8/1999 Lee
- D414,856 S 10/1999 Zuege
- D421,799 S 3/2000 Zuege
- D422,072 S 3/2000 Blateri
- D426,879 S 6/2000 Gajewski
- D443,352 S 6/2001 Lantz
- D451,997 S 12/2001 Swartz
- D454,636 S 3/2002 Lantz
- D462,756 S 9/2002 Liu
- D469,950 S 2/2003 Scalise et al.
- D480,471 S 10/2003 Hsieh
- D484,233 S 12/2003 Bucher et al.
- D484,587 S 12/2003 Bucher et al.
- D485,345 S 1/2004 Bucher et al.

OTHER PUBLICATIONS

Pineapple Lantern and Iron Wall Hanger, [online] Colonial Williamsburg, Williamsburg Marketplace, For the Garden [retrieved on Jun. 7, 2006] 1 page. Retrieved From: www.williamsburgmarketplace.com/exe/asp.other_template/MGID.3537/ from Product . . .

(Continued)

Primary Examiner—Lisa P Lichtenstein
(74) *Attorney, Agent, or Firm*—Brian S. Steinberger; Law Offices of Brian S. Steinberger, P.A.

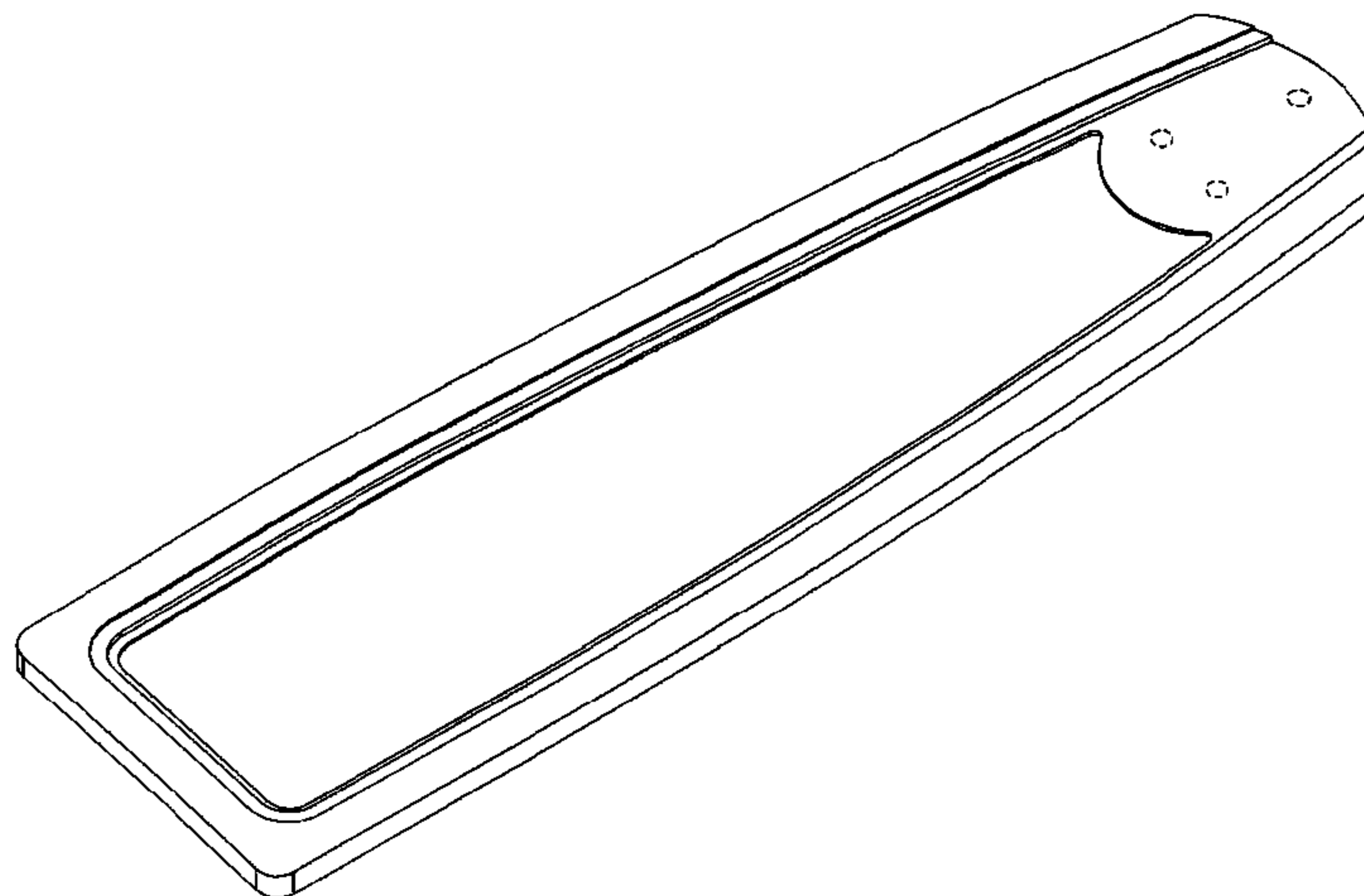
(57) **CLAIM**

The ornamental design for a ceiling fan blade, as shown and described.

DESCRIPTION

FIG. 1 is a bottom front perspective view of a novel ceiling fan blade.
FIG. 2 is a top front perspective view of the blade of FIG. 1.
FIG. 3 is a bottom view of the blade of FIG. 1.
FIG. 4 is a top view of the blade of FIG. 1.
FIG. 5 is a right side view of the blade of FIG. 1.
FIG. 6 is a left side view of the blade of FIG. 1.
FIG. 7 is a front end view of the blade of FIG. 1; and,
FIG. 8 is a rear end view of the blade of FIG. 1.
The broken line showing of the holes is included for the purpose of illustrating environmental structure and forms no part of the claimed design.

1 Claim, 6 Drawing Sheets



OTHER PUBLICATIONS

Hanging Rustic Pineapple Lantern, [online] Divine Exotics, room accents [retrieved on Jun. 7, 2005] 1 page. Retrieved from: <http://store.yahoo.com/divineexotics/hrupila.html>.

Handmade Lantern, "Pineapple Glow", [online] Shop.com, Noica.com [retrieved on Jun. 7, 2005] 3 pages. Retrieved from: <http://maos.shop.com/amos/cc/pcd/12751167/prd/119026237/ccsyn/260/ccsid/412039926-22>.

Pineapple Collection by Quoizel, [online] Farrey's.com, Lighting, Quoizel, Pineapple Collection, [Retrieved on Jun. 7, 2005] pp. 5, Retrieved from: http://www.farreys.com/lighting/quoizel/collection_pineapple.html.

Plantation Pineapple Selections, [online] Hinkley Lighting.com, Products, S4elect Family, Plantation [Retrieved on Dec. 6, 2005] pp. 2, Retrieved from: http://www.hinkleylighting.com/products/browse_search.asp?famid=014111022&catid=01...

* cited by examiner

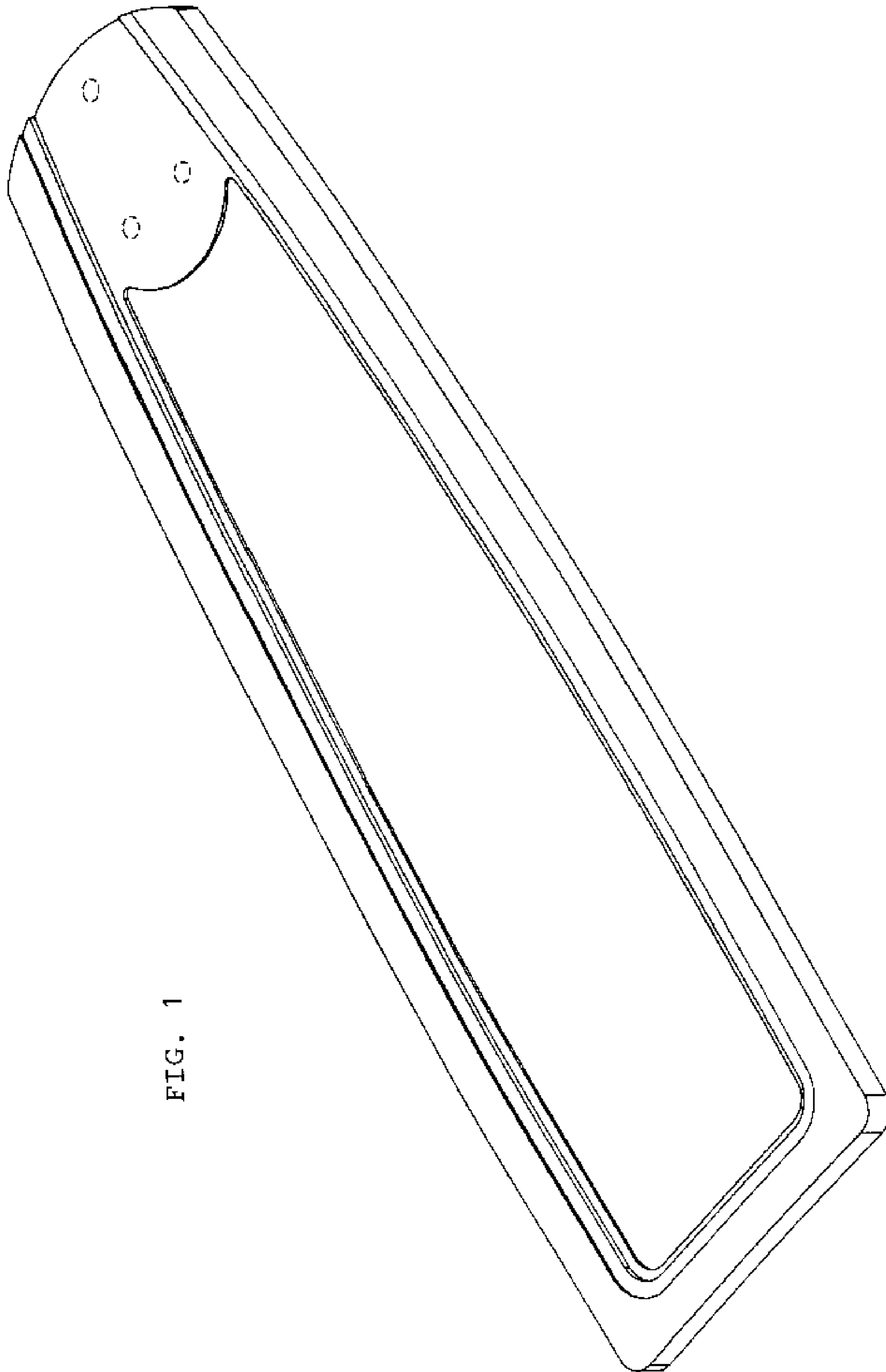


FIG. 1

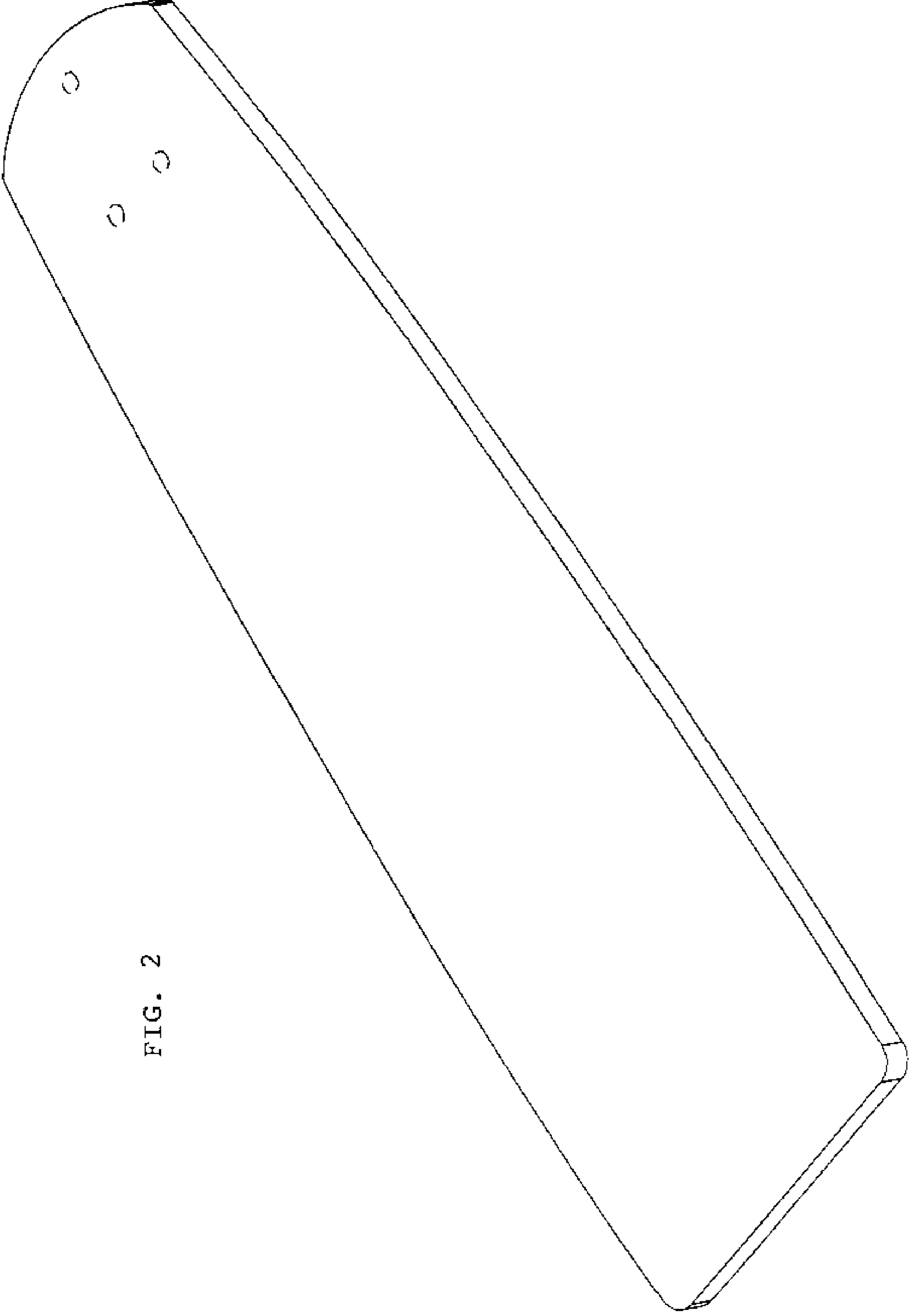


FIG. 2

FIG. 3

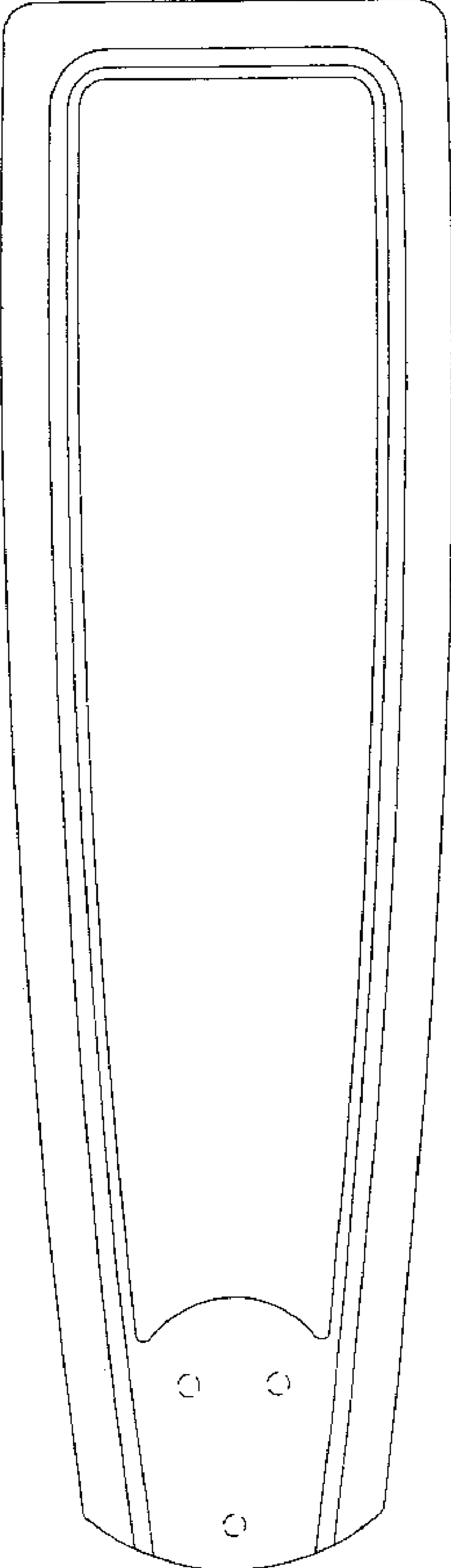


FIG. 4

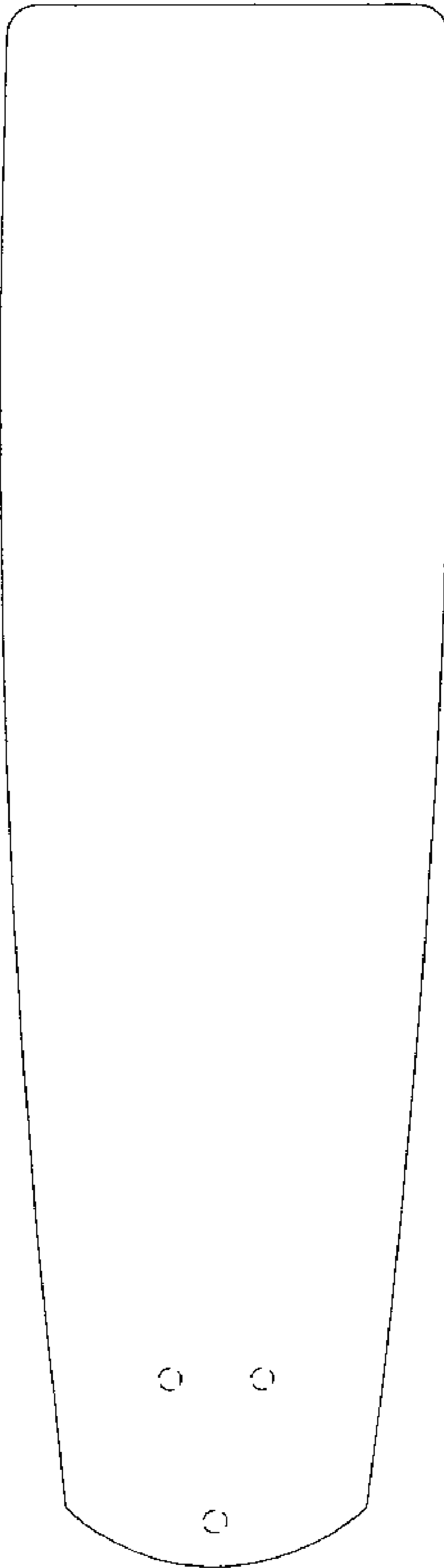


FIG. 5



FIG. 6



FIG. 7



FIG. 8

