



US00D580044S

(12) **United States Design Patent**
Ertze

(10) **Patent No.:** **US D580,044 S**
(45) **Date of Patent:** **** Nov. 4, 2008**

- (54) **CEILING FAN BLADE**
- (75) Inventor: **Pablo J. Ertze**, Rancho Cucamonga, CA (US)
- (73) Assignee: **Air Cool Industrial Co., Ltd.**, Taichung (TW)
- (**) Term: **14 Years**
- (21) Appl. No.: **29/266,811**
- (22) Filed: **Sep. 27, 2006**

- D483,464 S 12/2003 Tai
- D483,465 S 12/2003 Tai
- D483,847 S 12/2003 Tai
- D483,848 S 12/2003 Tai
- D483,849 S 12/2003 Tai
- D483,850 S 12/2003 Tai
- D484,588 S 12/2003 Tai
- D484,969 S 1/2004 Tai
- D485,344 S 1/2004 Tai
- D485,609 S 1/2004 Tai
- D485,611 S 1/2004 Tai
- D485,897 S 1/2004 Tai
- D490,888 S 6/2004 Tai
- D494,705 S 8/2004 Tai
- D501,578 S 2/2005 Tai
- D503,472 S 3/2005 Tai
- D503,473 S 3/2005 Tai
- D503,474 S 3/2005 Tai
- D503,475 S 3/2005 Tai
- D503,476 S 3/2005 Tai
- D503,795 S 4/2005 Tai
- D504,173 S 4/2005 Cohen

Related U.S. Application Data

- (63) Continuation of application No. 29/260,526, filed on May 25, 2006, now Pat. No. Des. 543,268.
- (51) **LOC (8) Cl.** **23-04**
- (52) **U.S. Cl.** **D23/413**
- (58) **Field of Classification Search** D23/377, D23/379, 385, 411, 413; 416/5
See application file for complete search history.

References Cited

U.S. PATENT DOCUMENTS

- 5,508,484 A 4/1996 Chen
- D396,530 S 7/1998 Tai
- D404,808 S 1/1999 Tai
- D404,809 S 1/1999 Tai
- D405,878 S 2/1999 Tai
- D408,073 S 4/1999 Tai
- D408,074 S 4/1999 Tai
- D408,516 S 4/1999 Tai
- D409,297 S 5/1999 Tai
- 6,059,531 A 5/2000 Tai
- 6,135,618 A 10/2000 Tai
- 6,259,025 B1 7/2001 Tai
- 6,379,116 B1 4/2002 Tai
- D457,947 S 5/2002 Tai
- 6,392,146 B1 5/2002 Tai
- D458,675 S 6/2002 Tai
- D478,381 S 8/2003 Tai
- D483,463 S 12/2003 Tai

(Continued)

Primary Examiner—Lisa P Lichtenstein
(74) *Attorney, Agent, or Firm*—Morrison & Foerster LLP

(57) **CLAIM**

The ornamental design for a ceiling fan blade, as shown and described.

DESCRIPTION

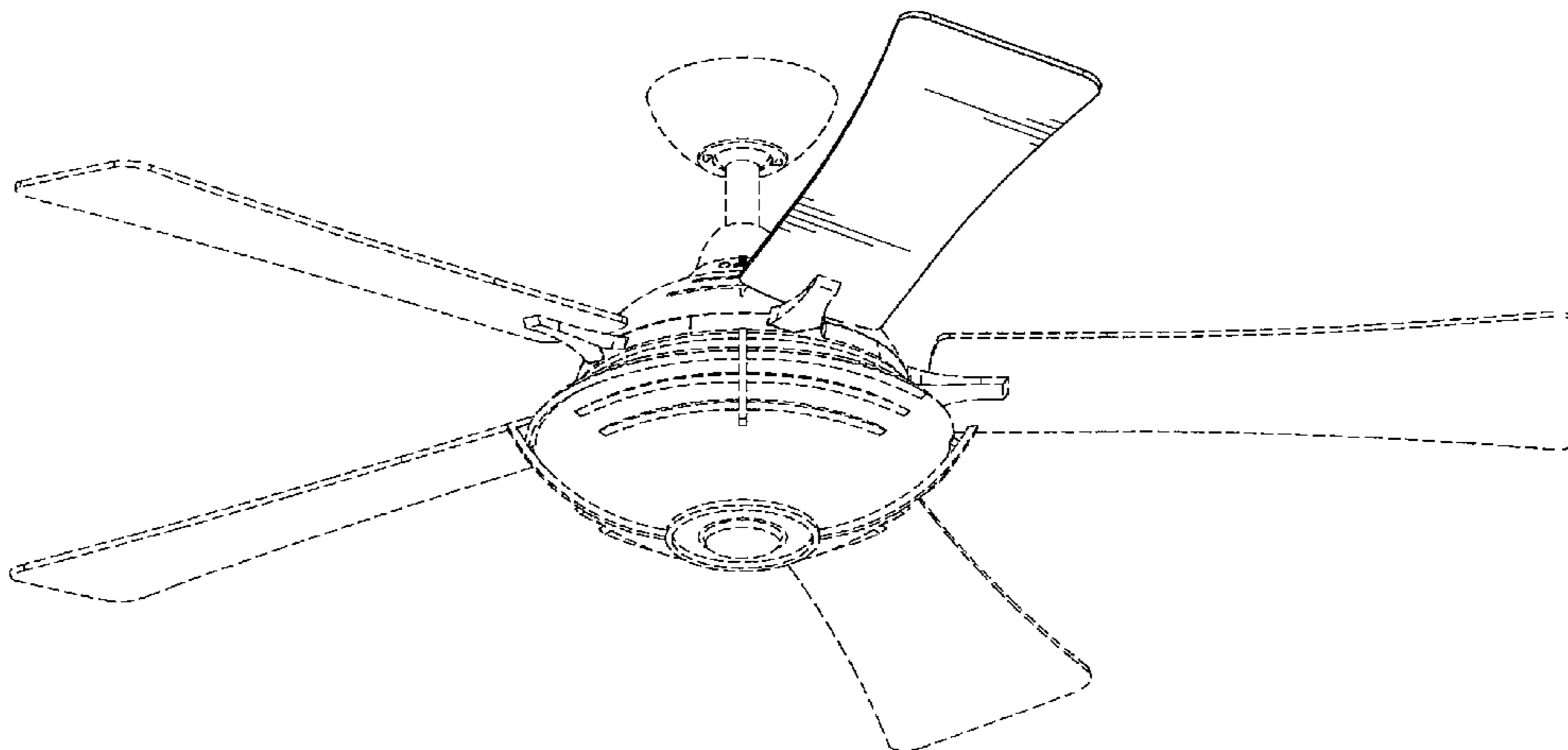
FIG. 1 is a perspective view of a ceiling fan blade in accordance with the present invention shown in use;

FIG. 2 is a perspective view of a ceiling fan blade in accordance with the present invention; and,

FIG. 3 is another view of the ceiling fan blade in accordance with the present invention.

The broken line showing of a ceiling fan is included for the purpose of illustrating environmental structure and forms no part of the claimed design.

1 Claim, 2 Drawing Sheets



US D580,044 S

Page 2

U.S. PATENT DOCUMENTS

D505,197 S 5/2005 Tai
D505,724 S 5/2005 Tai
D507,644 S 7/2005 Tai
D507,830 S 7/2005 Pan

D510,624 S * 10/2005 Graham D23/413
D531,298 S * 10/2006 Hidalgo D23/377
D531,307 S * 10/2006 Shurtleff D23/413
D543,268 S * 5/2007 Ertze D23/377

* cited by examiner

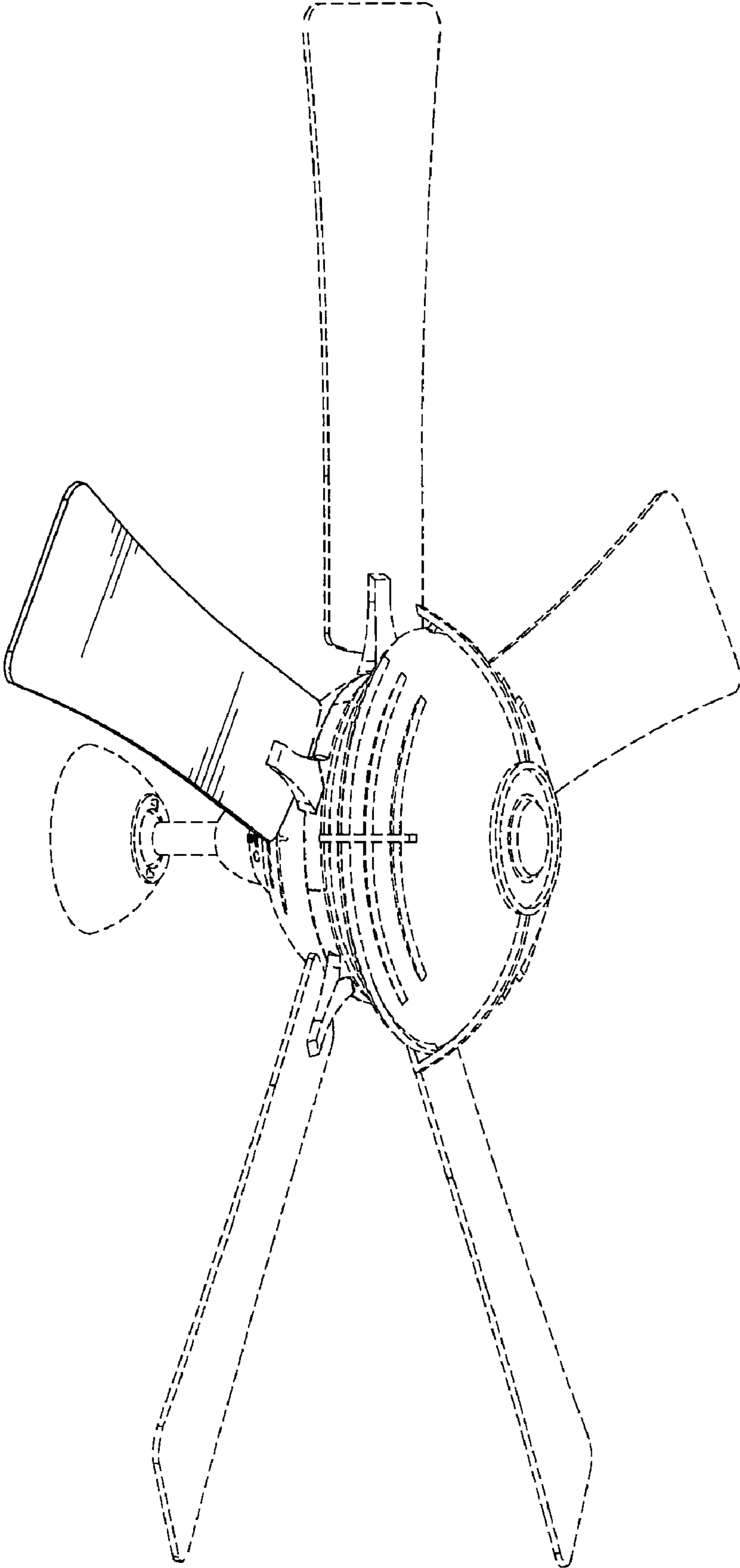


FIG. 1

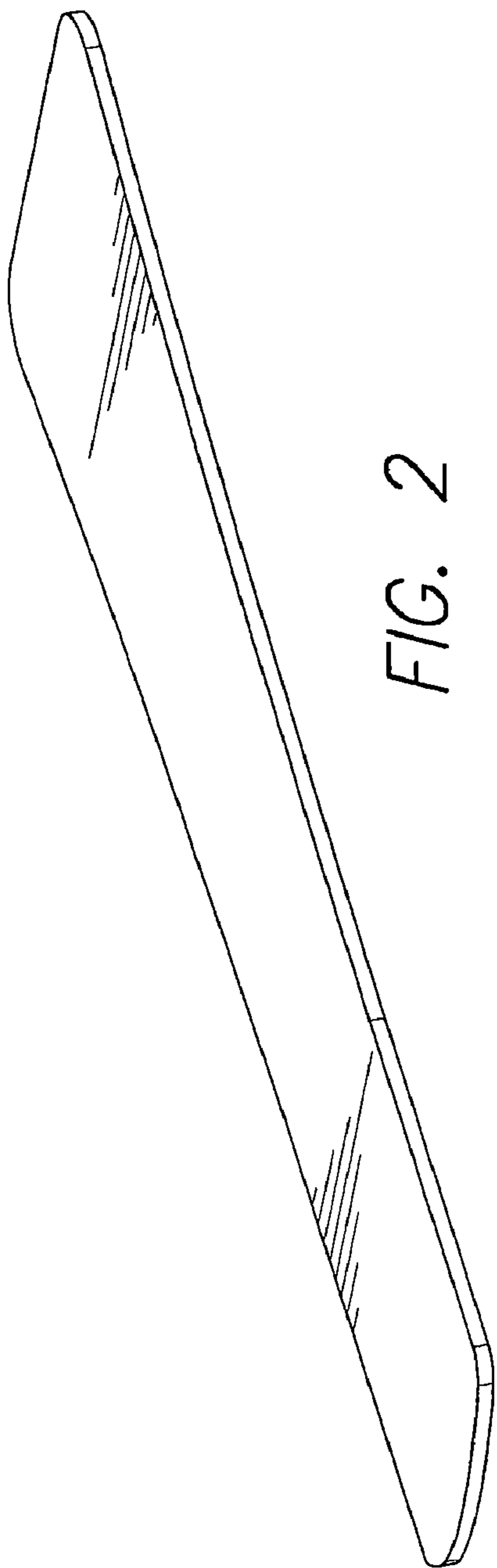


FIG. 2

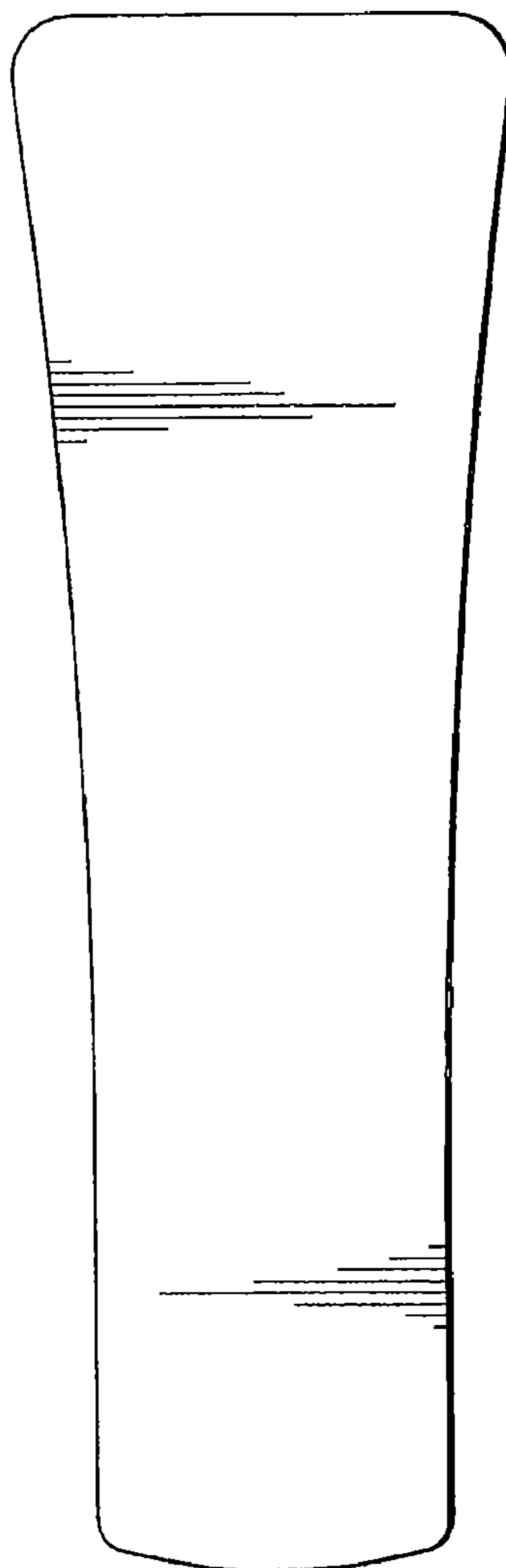


FIG. 3