



US00D580024S

(12) **United States Design Patent**
Gilbert

(10) **Patent No.:** **US D580,024 S**

(45) **Date of Patent:** **** Nov. 4, 2008**

(54) **SPOUT**

(75) Inventor: **Christopher Jon Gilbert**, Moreland Hills, OH (US)

(73) Assignee: **Moen Incorporated**, North Olmsted, OH (US)

(**) Term: **14 Years**

(21) Appl. No.: **29/289,400**

(22) Filed: **Jul. 18, 2007**

(51) **LOC (8) Cl.** **23-01**

(52) **U.S. Cl.** **D23/255**

(58) **Field of Classification Search** D23/255–257, D23/238–243; 4/675–678; 137/801
See application file for complete search history.

(56) **References Cited**

U.S. PATENT DOCUMENTS

D193,885 S	10/1962	Andrews	
3,638,680 A	2/1972	Kopp	
D279,123 S	6/1985	Niemann	
D280,543 S	9/1985	Paul	
D314,813 S	2/1991	Jans	
D317,971 S	7/1991	Sauter et al.	
D318,100 S	7/1991	Rodstein	
D321,038 S	10/1991	Delepine	
D322,840 S	12/1991	Rodstein et al.	
D323,550 S	1/1992	Delepine	
D323,700 S	2/1992	Wilde	
D327,529 S *	6/1992	Dannenberg D23/238
D330,935 S	11/1992	Delepine	
D339,847 S	9/1993	Jans	
D352,547 S	11/1994	McKeone	
D408,505 S	4/1999	Garcia	
D440,633 S	4/2001	Fleischmann	
D440,634 S	4/2001	Fleischmann	
D440,635 S	4/2001	Fleischmann	
D444,212 S	6/2001	Fleischmann	
D461,535 S	8/2002	Antoniello et al.	
D465,557 S	11/2002	Antoniello et al.	
D473,630 S	4/2003	Wettstein et al.	
D481,104 S	10/2003	Wettstein et al.	

D481,105 S	10/2003	Wettstein et al.	
D482,102 S	11/2003	Wettstein et al.	
D482,760 S	11/2003	Fraser et al.	
D487,923 S	3/2004	Fraser et al.	
D489,559 S	5/2004	Fraser et al.	
D490,503 S	5/2004	Fraser et al.	
D492,387 S	6/2004	Pohl et al.	
D492,392 S	6/2004	Pohl et al.	
D499,256 S	12/2004	Fraser et al.	
D503,217 S	3/2005	Aubry et al.	
D509,283 S	9/2005	Sieger	
D512,484 S	12/2005	Paini	
D516,675 S	3/2006	Kakahana	
D517,169 S	3/2006	Ogata et al.	
D517,655 S	3/2006	Ogata et al.	
D523,117 S	6/2006	Lord	
D529,136 S	9/2006	Smith	
D529,586 S	10/2006	Kulig	
D529,995 S	10/2006	Smith	
D530,396 S	10/2006	Smith	
D531,270 S	10/2006	Smith	
D538,894 S *	3/2007	Hoernig D23/241

* cited by examiner

Primary Examiner—Robert A Delehanty
(74) *Attorney, Agent, or Firm*—Calfee, Halter & Griswold LLP

(57) **CLAIM**

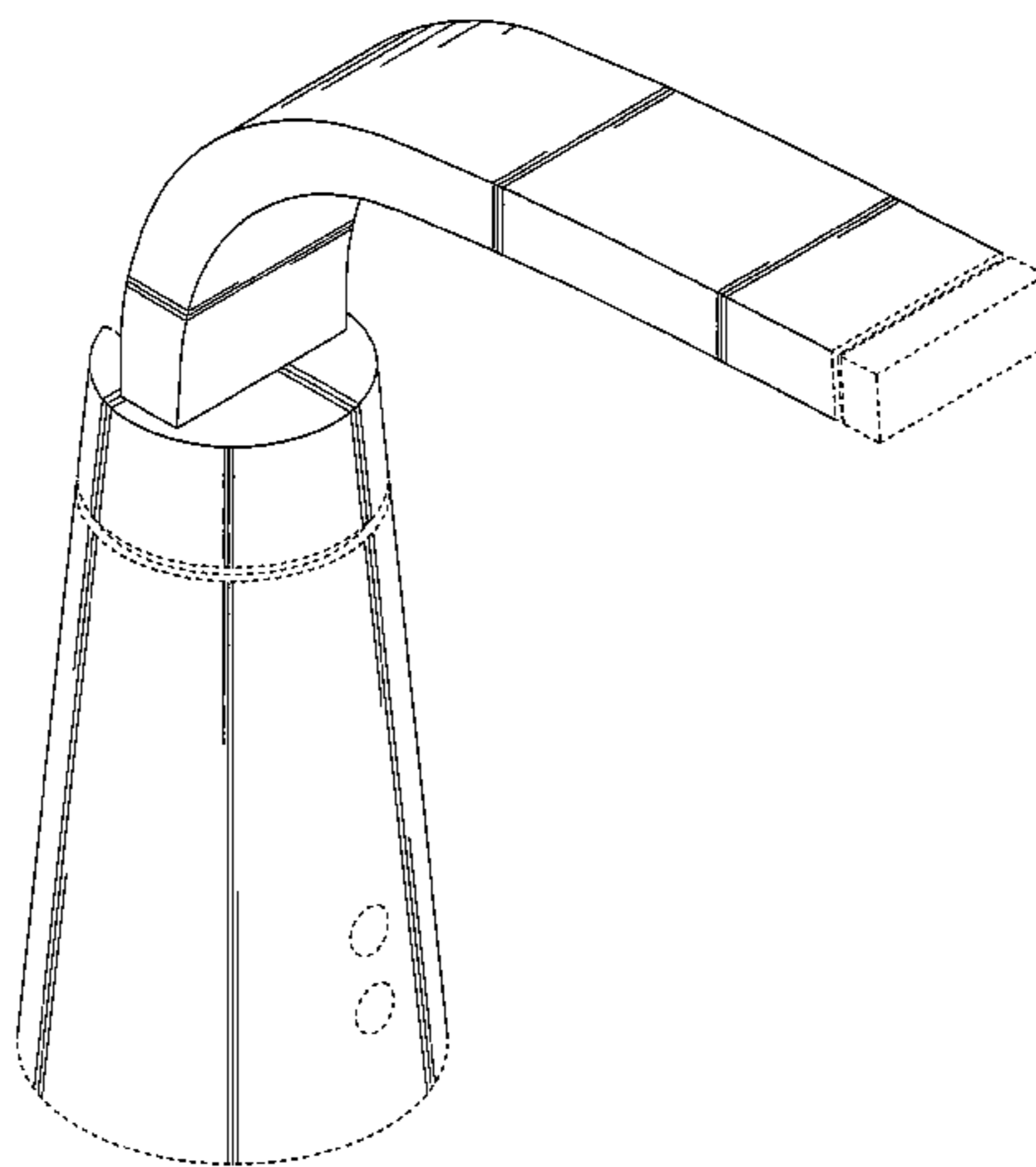
The ornamental design for a spout, as shown and described.

DESCRIPTION

FIG. 1 is a perspective view of a spout of the new design; FIG. 2 is a front elevational view of the spout of FIG. 1; FIG. 3 is a rear elevational view of the spout of FIG. 1; FIG. 4 is a left side elevational view of the spout of FIG. 1; FIG. 5 is a right side elevational view of the spout of FIG. 1; FIG. 6 is a top plan view of the spout of FIG. 1; and, FIG. 7 is a bottom plan view of the spout of FIG. 1.

The portions of the Figures shown in broken lines are not part of the claimed design and are for illustration only.

1 Claim, 4 Drawing Sheets



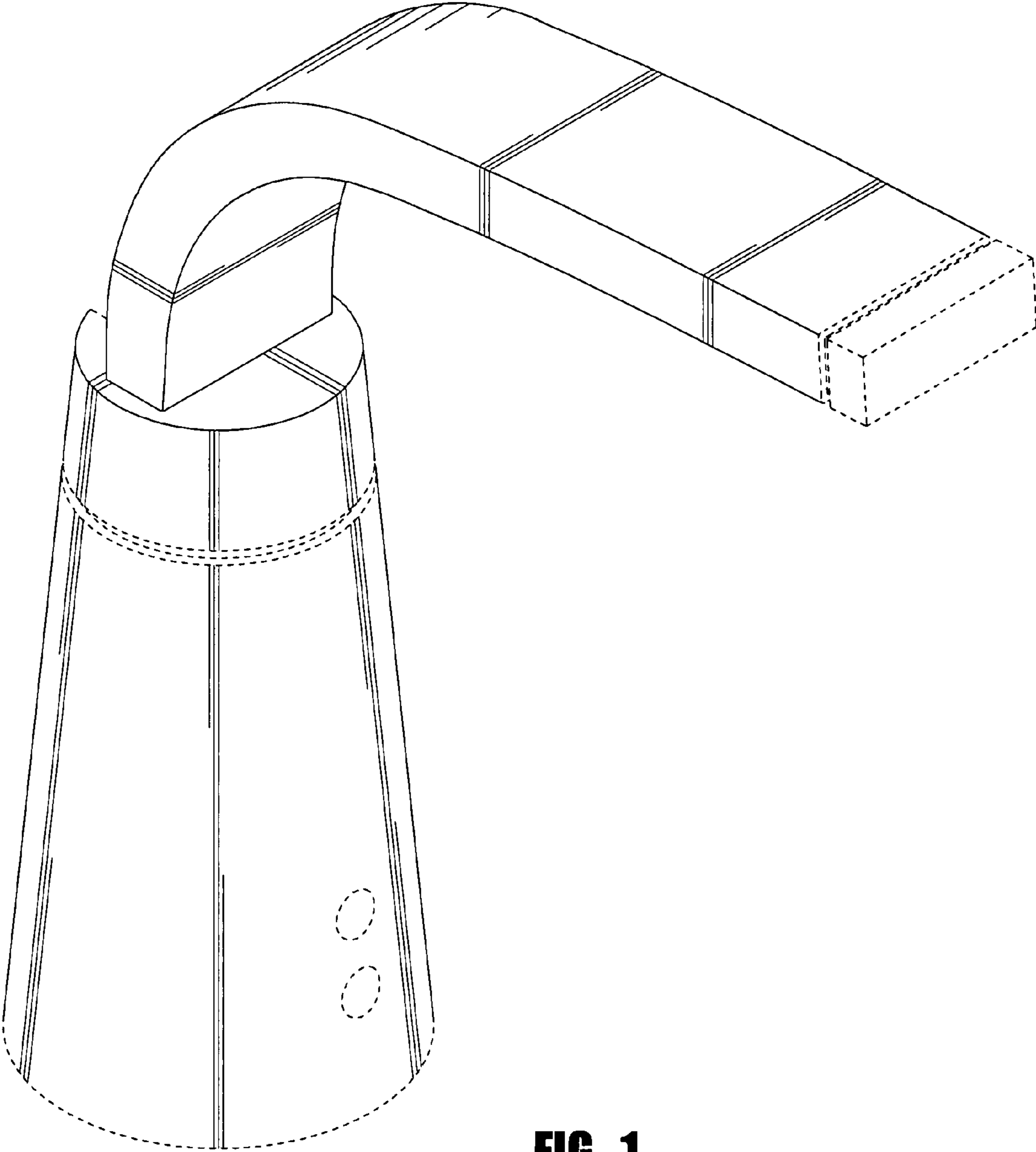


FIG. 1

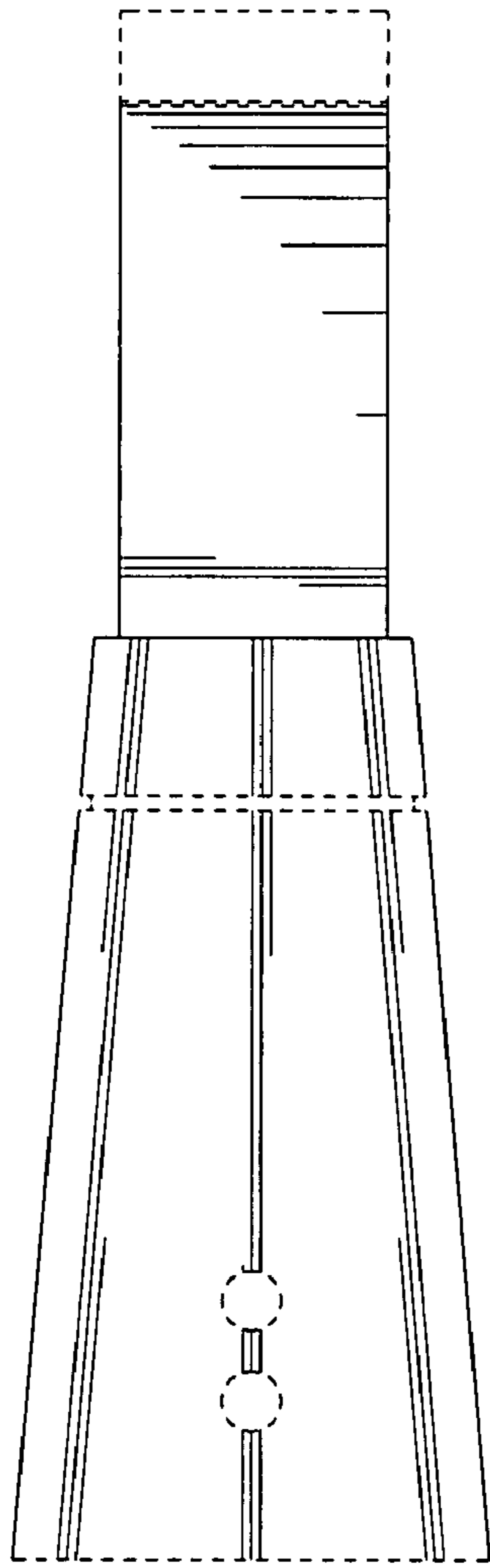


FIG. 2

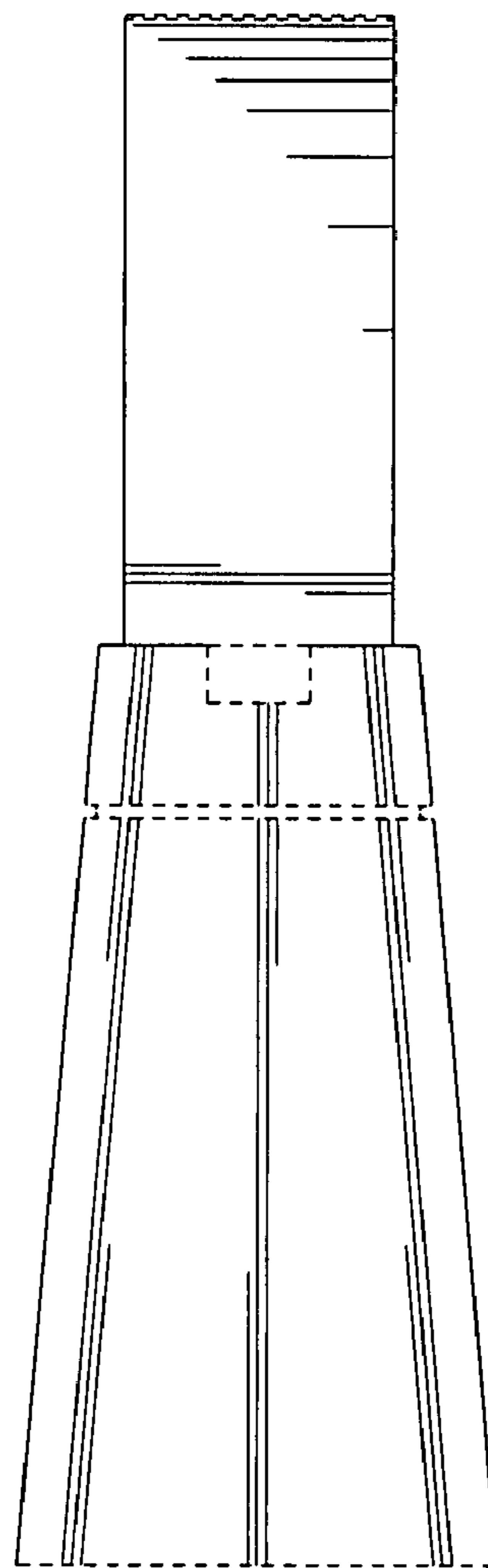


FIG. 3

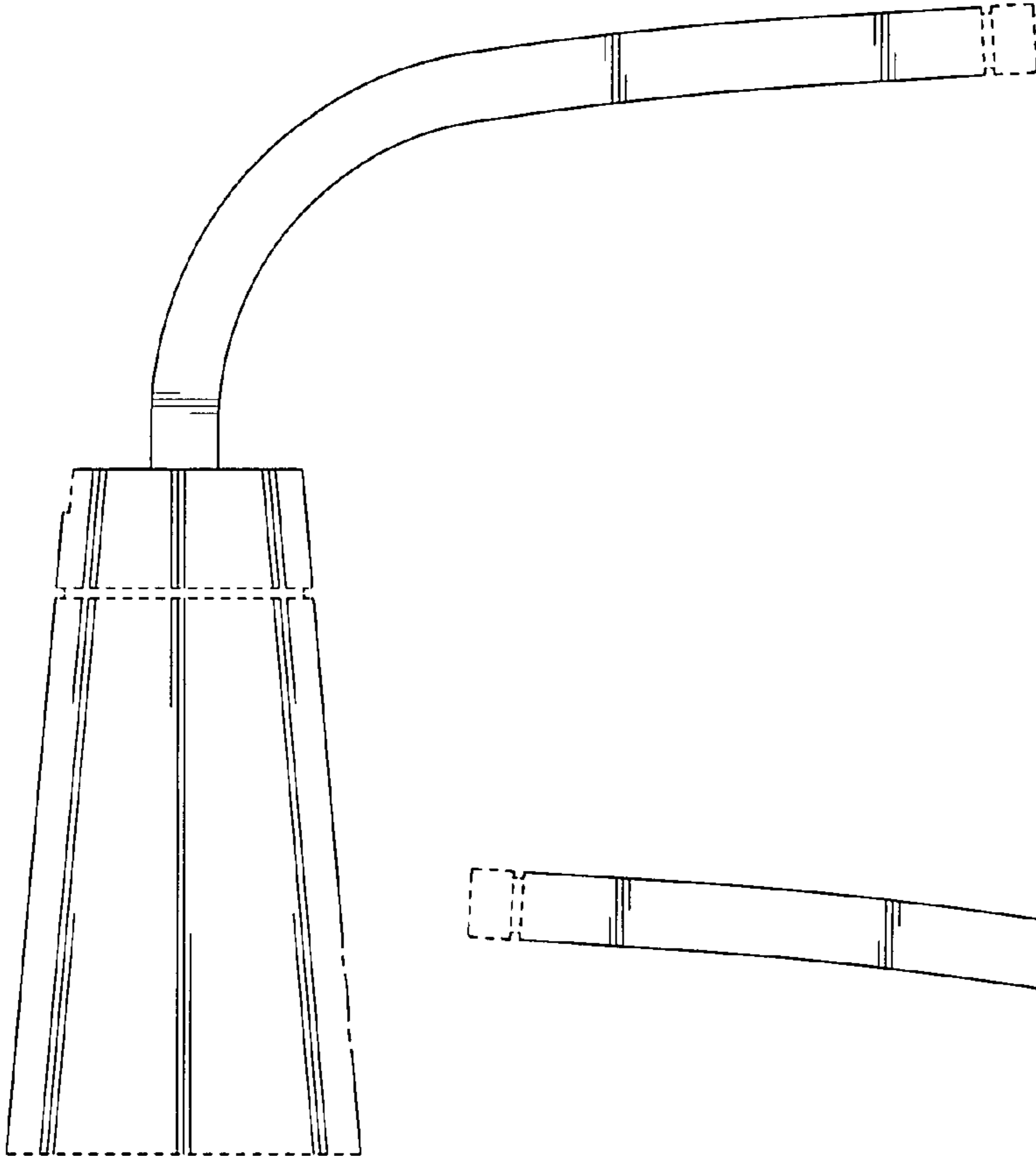


FIG. 4

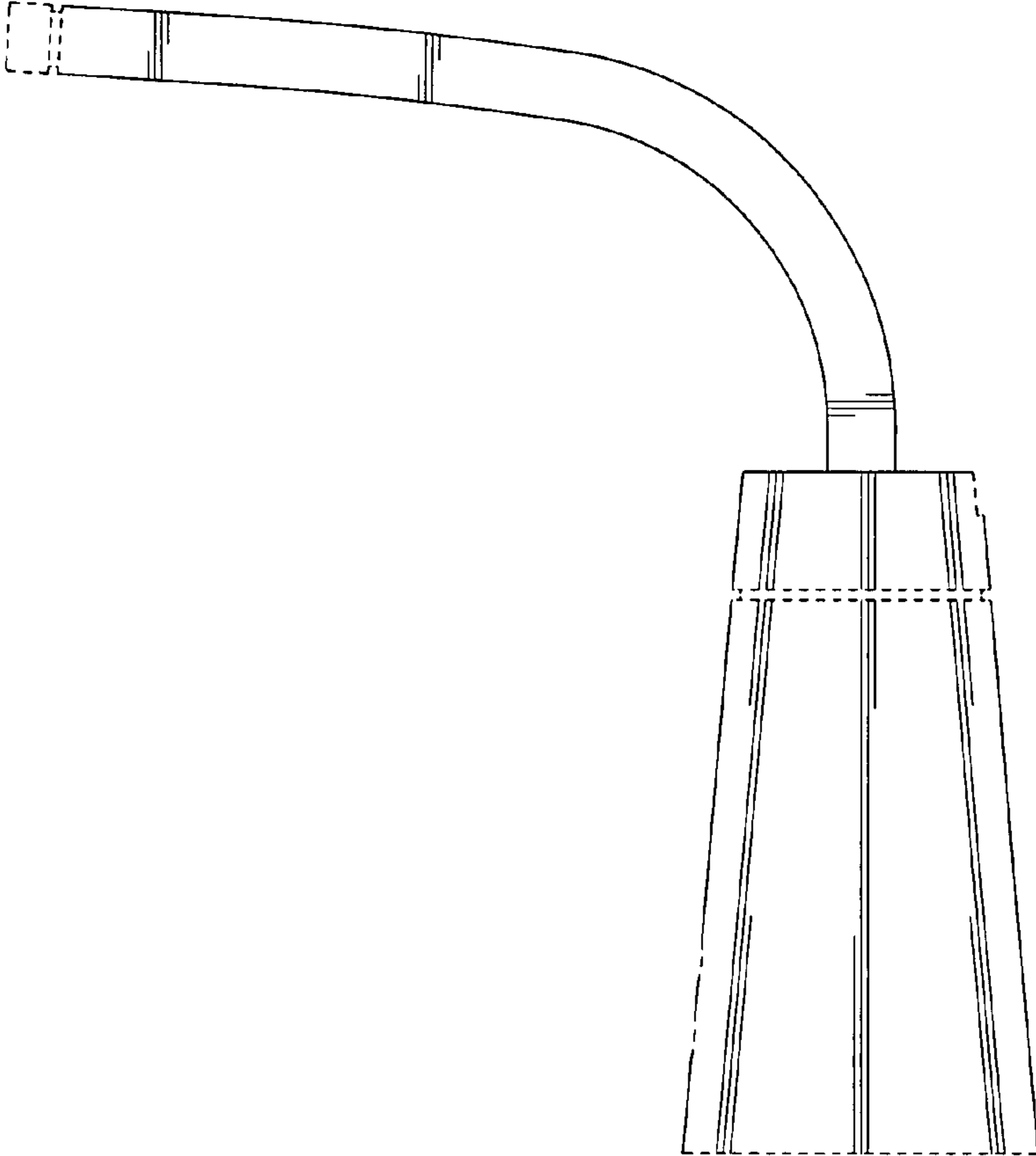


FIG. 5

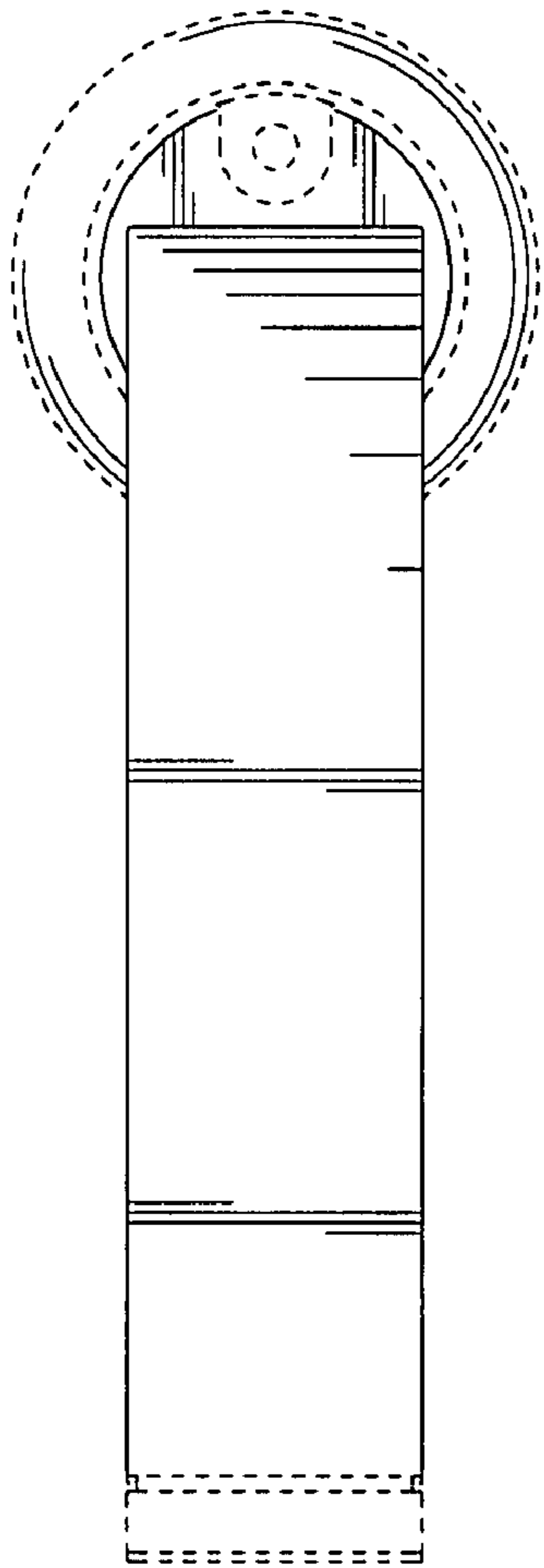


FIG. 6

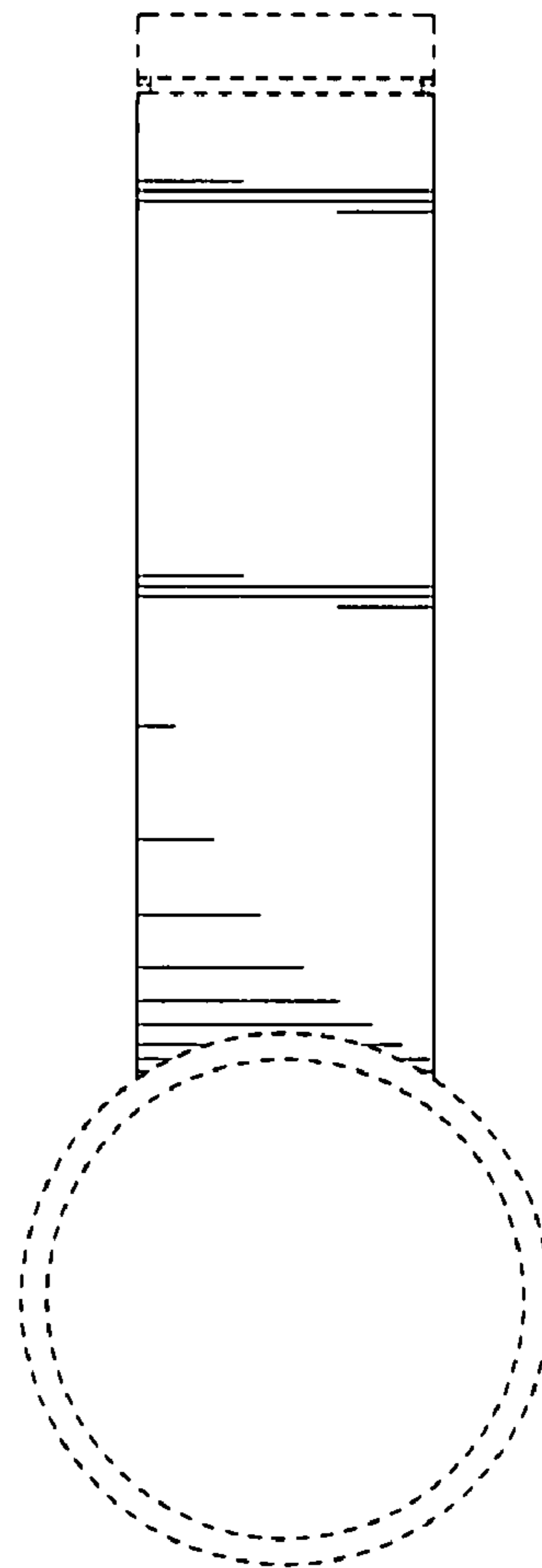


FIG. 7