

US00D580020S

(12) **United States Design Patent**
Gilbert

(10) **Patent No.:** **US D580,020 S**

(45) **Date of Patent:** **** Nov. 4, 2008**

(54) **LEVER**

(75) Inventor: **Christopher Jon Gilbert**, Moreland Hills, OH (US)

(73) Assignee: **Moen Incorporated**, North Olmsted, OH (US)

(**) Term: **14 Years**

(21) Appl. No.: **29/286,681**

(22) Filed: **May 16, 2007**

(51) **LOC (8) Cl.** **23-01**

(52) **U.S. Cl.** **D23/252; D8/311**

(58) **Field of Classification Search** D23/238–252,
D23/255; D8/300–322, DIG. 2; 16/110.1;
4/675–678; 137/801

See application file for complete search history.

(56) **References Cited**

U.S. PATENT DOCUMENTS

| | | | |
|--------------|---------|------------------|---------|
| D87,830 S | 9/1932 | Ferguson | |
| D140,556 S | 3/1945 | Stanitz | |
| D197,400 S * | 1/1964 | Patriquin | D8/302 |
| D209,041 S | 10/1967 | Broad | |
| D222,877 S | 1/1972 | Gerlach | |
| D306,251 S * | 2/1990 | Kuli | D8/302 |
| D315,087 S * | 3/1991 | Jans | D8/308 |
| D346,205 S * | 4/1994 | Sauter et al. | D23/252 |
| D356,484 S * | 3/1995 | Scholl | D8/308 |
| D361,256 S | 8/1995 | Vennola | |
| D385,769 S * | 11/1997 | Jans | D8/308 |
| D431,173 S * | 9/2000 | Durbin | D8/308 |
| D444,694 S * | 7/2001 | Alvarado | D8/301 |
| D458,346 S * | 6/2002 | Mullenmeister | D23/252 |
| D458,347 S * | 6/2002 | Mullenmeister | D23/252 |
| D458,349 S * | 6/2002 | Mullenmeister | D23/254 |
| D458,989 S * | 6/2002 | Mullenmeister | D23/254 |
| D459,793 S | 7/2002 | Singtoroj | |
| D460,529 S * | 7/2002 | Caplow | D23/252 |
| D461,536 S * | 8/2002 | Singtoroj | D23/252 |
| D474,671 S * | 5/2003 | Singtoroj et al. | D8/301 |
| D474,957 S * | 5/2003 | Singtoroj et al. | D8/301 |
| D493,213 S | 7/2004 | Svensen et al. | |
| D495,230 S * | 8/2004 | Madlem et al. | D8/301 |
| D502,858 S * | 3/2005 | Sato | D8/308 |

| | | | |
|--------------|---------|--------------------|---------|
| D509,126 S * | 9/2005 | Vilallonga Kirovac | D8/308 |
| D509,421 S * | 9/2005 | Gehry | D8/300 |
| D509,422 S * | 9/2005 | Gehry | D8/300 |
| D517,661 S * | 3/2006 | Wolf | D23/252 |
| D517,662 S * | 3/2006 | Mullenmeister | D23/252 |
| D519,021 S * | 4/2006 | Boulware et al. | D8/308 |
| D530,399 S * | 10/2006 | Blomstrom | D23/252 |
| D532,279 S * | 11/2006 | Bouroullec et al. | D8/308 |
| D534,784 S * | 1/2007 | Veltz | D8/308 |
| D535,545 S * | 1/2007 | Gilbert | D8/308 |
| D537,318 S * | 2/2007 | Fan et al. | D8/308 |
| D537,702 S * | 3/2007 | Roberts, III | D8/308 |
| D542,113 S * | 5/2007 | Cutler | D8/308 |
| D542,114 S * | 5/2007 | Fan et al. | D8/308 |
| D543,435 S * | 5/2007 | Roberts, III | D8/308 |
| D545,169 S * | 6/2007 | Kosasih | D8/308 |
| D547,830 S * | 7/2007 | Veltz et al. | D23/252 |
| D549,545 S * | 8/2007 | Schneider | D8/308 |
| D549,546 S * | 8/2007 | Singtoroj | D8/308 |
| D549,547 S * | 8/2007 | Singtoroj et al. | D8/308 |
| D549,548 S * | 8/2007 | Roberts, III | D8/308 |
| D554,969 S * | 11/2007 | Kosasih et al. | D8/308 |
| D555,456 S * | 11/2007 | Kosasih et al. | D8/308 |

* cited by examiner

Primary Examiner—Stella M Reid

Assistant Examiner—Mark A Goodwin

(74) *Attorney, Agent, or Firm*—Calfee, Halter & Griswold LLP

(57) **CLAIM**

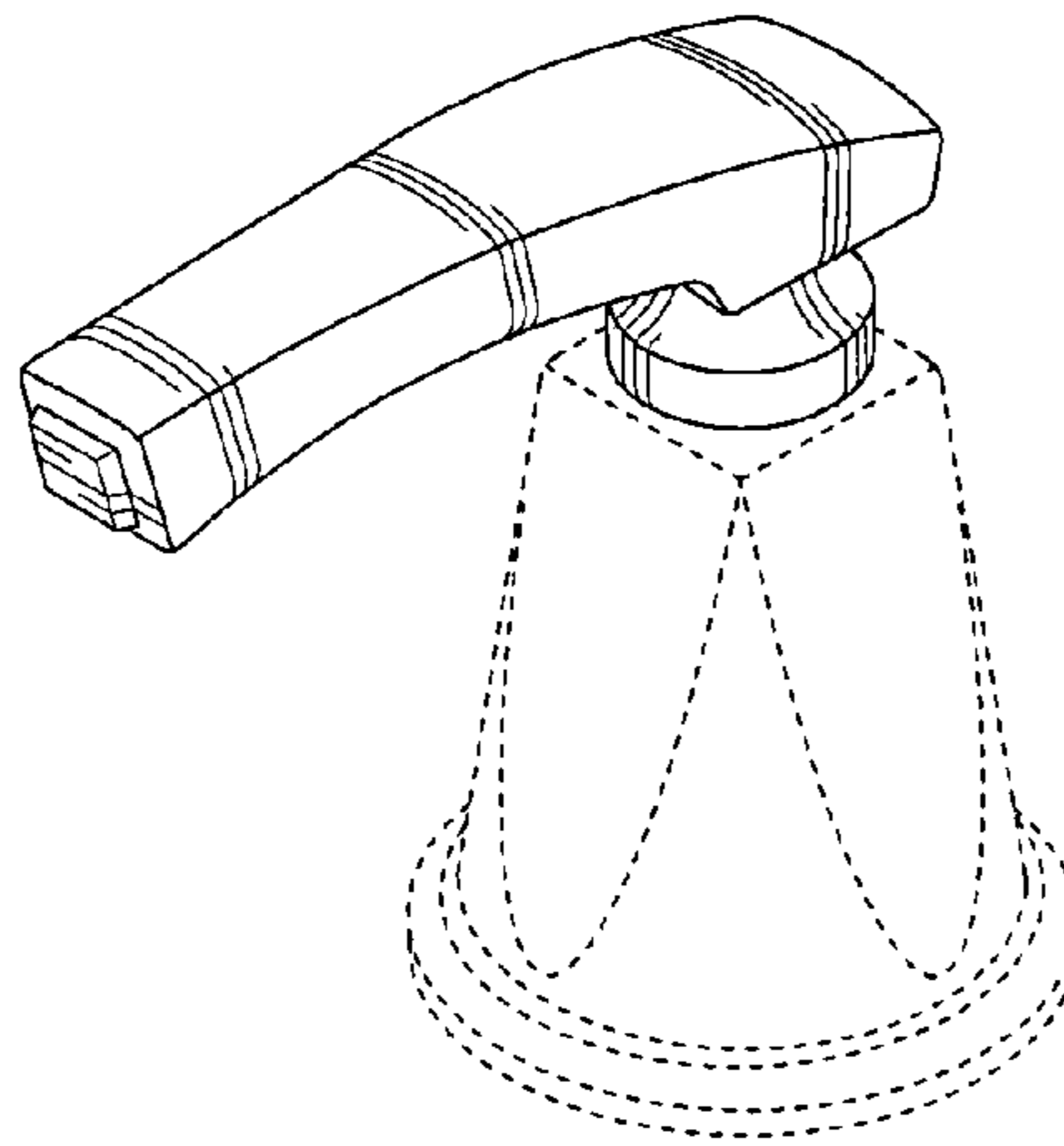
The ornamental design for a lever, as shown and described.

DESCRIPTION

FIG. 1 is a perspective view of a lever of the new design; FIG. 2 is a front elevational view of the lever of FIG. 1; FIG. 3 is a rear elevational view of the lever of FIG. 1; FIG. 4 is a left side elevational view of the lever of FIG. 1; FIG. 5 is a right side elevational view of the lever of FIG. 1; FIG. 6 is a top plan view of the lever of FIG. 1; and, FIG. 7 is a bottom plan view of the lever of FIG. 1.

The portions of the Figures shown in broken lines are not part of the claimed design and are for illustration only.

1 Claim, 2 Drawing Sheets



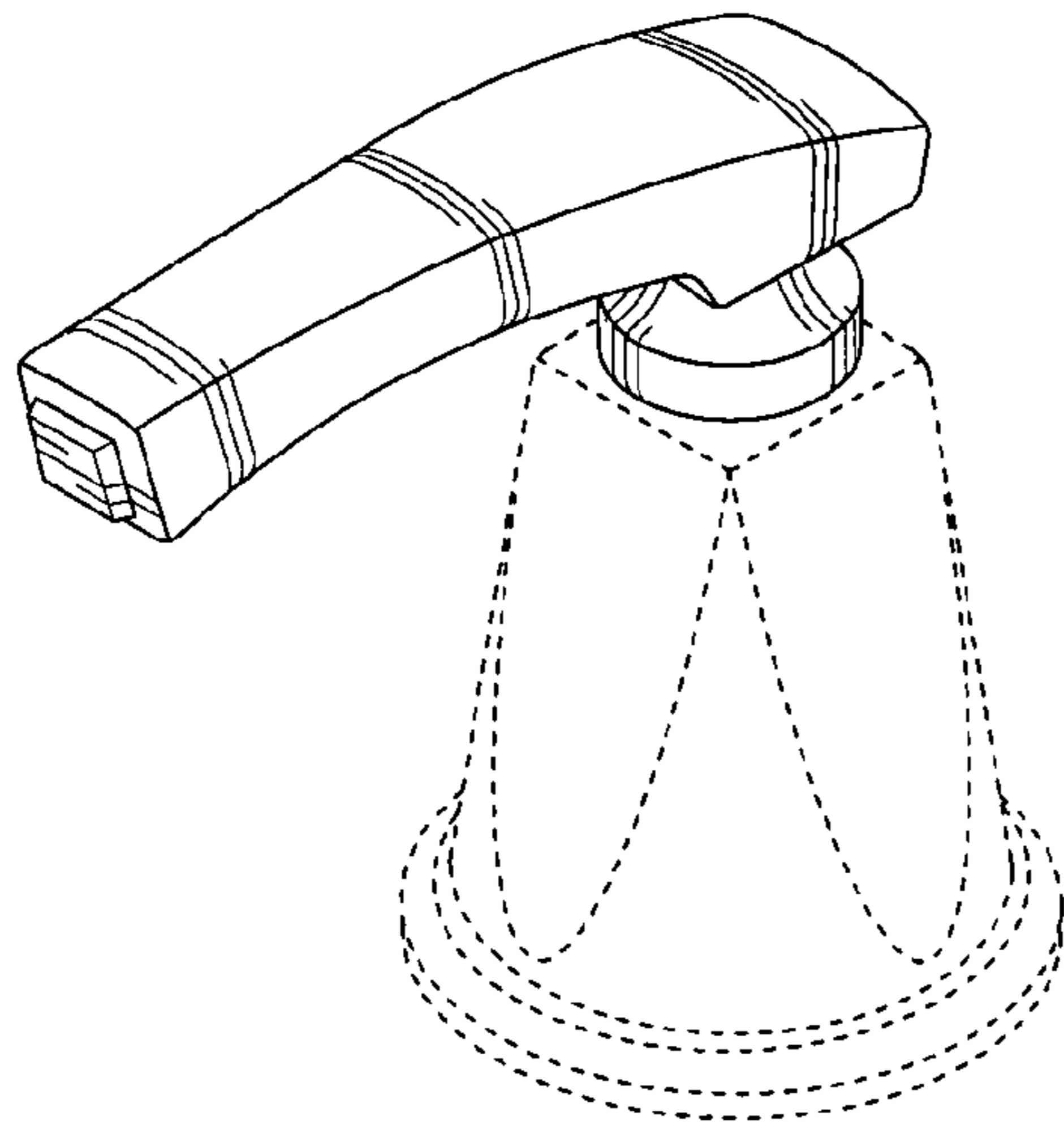


FIG. 1

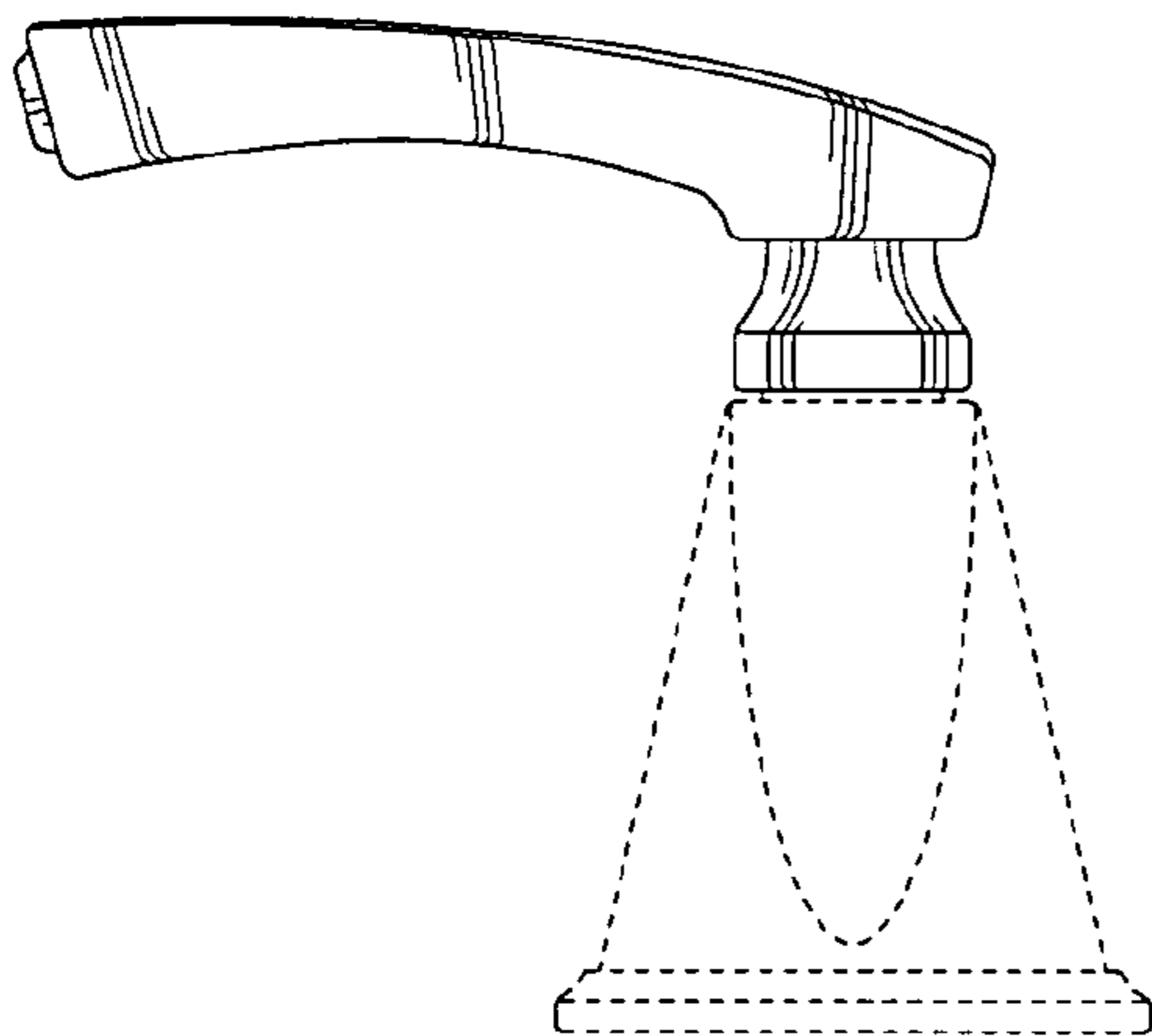


FIG. 2

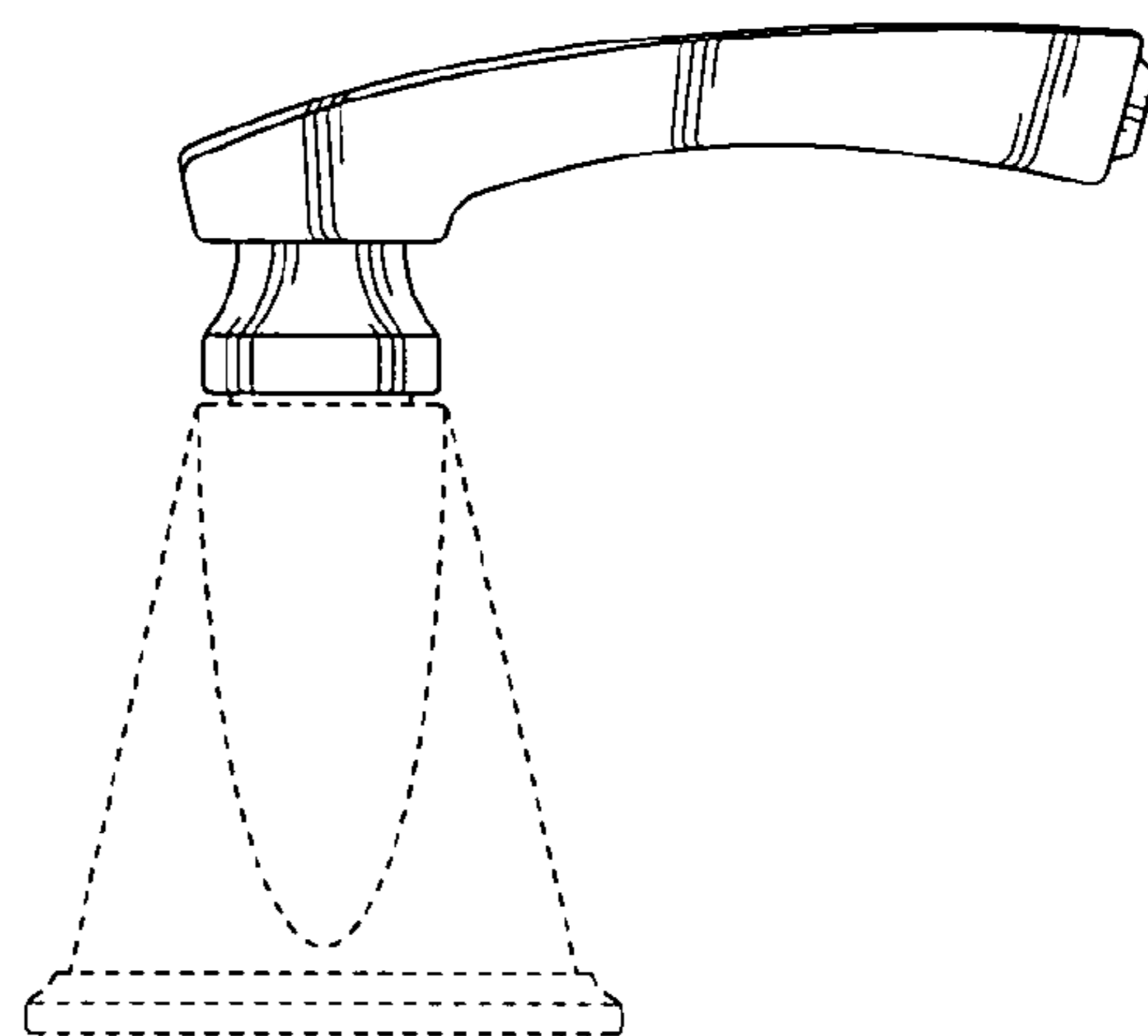


FIG. 3

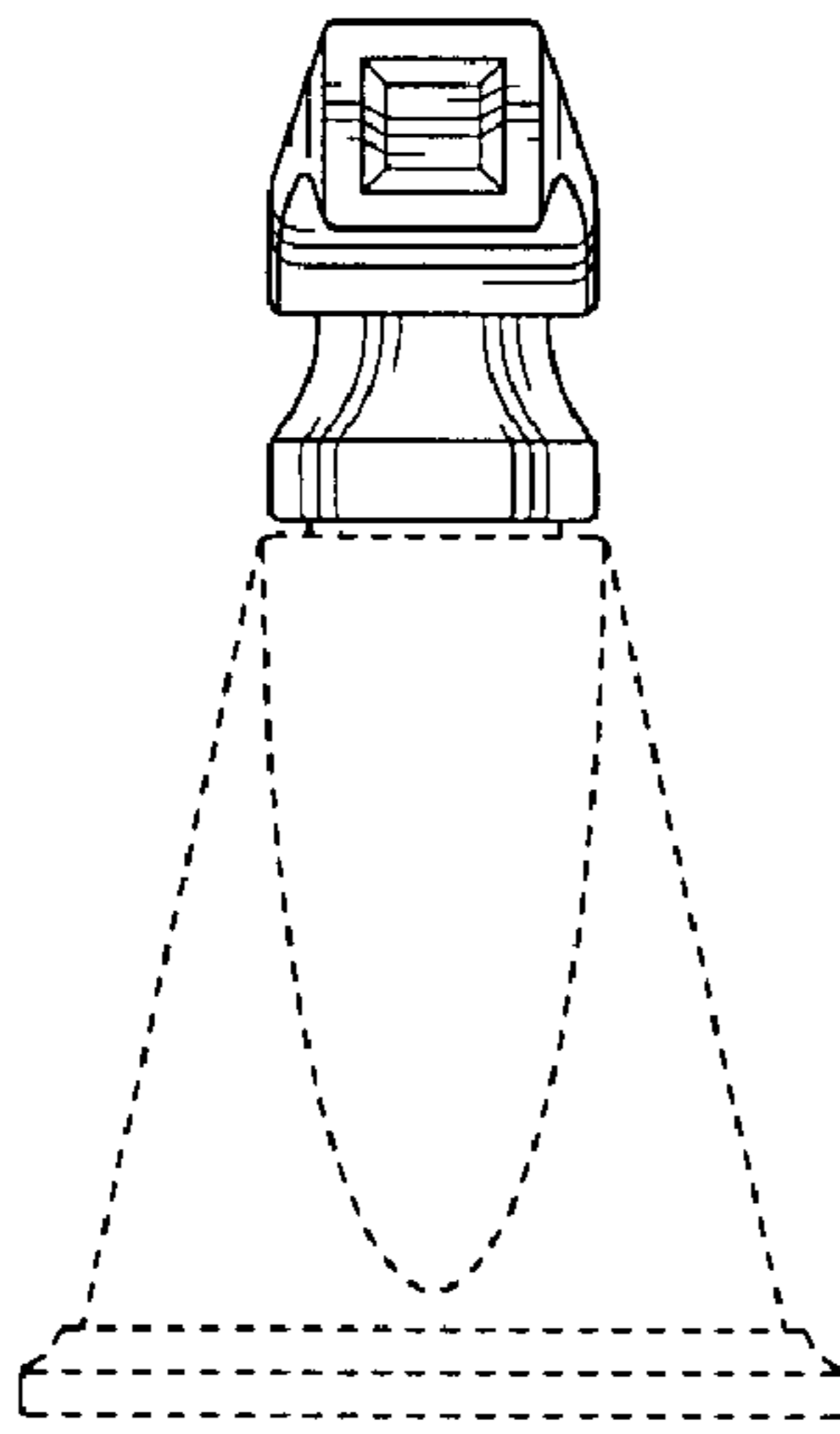


FIG. 4

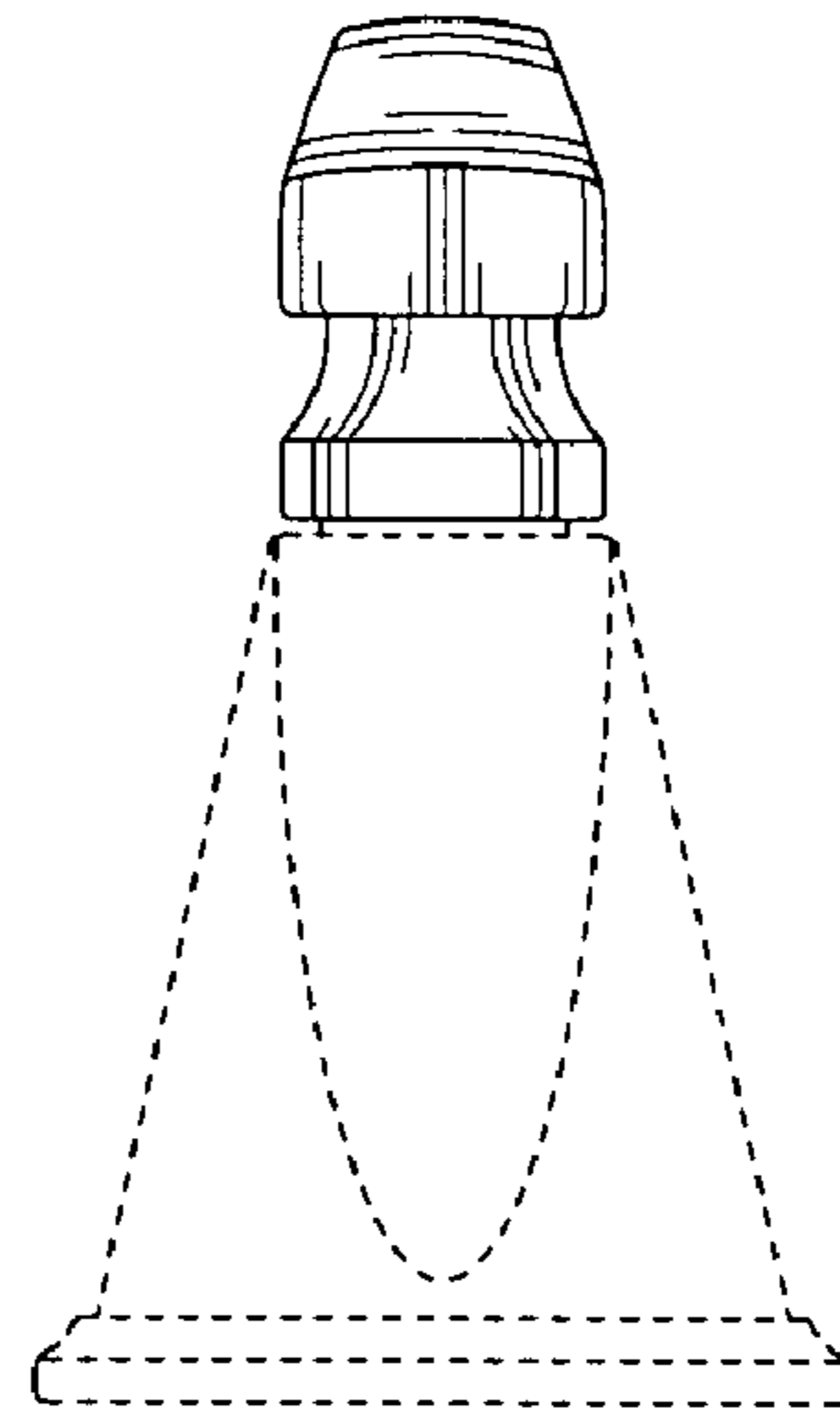


FIG. 5

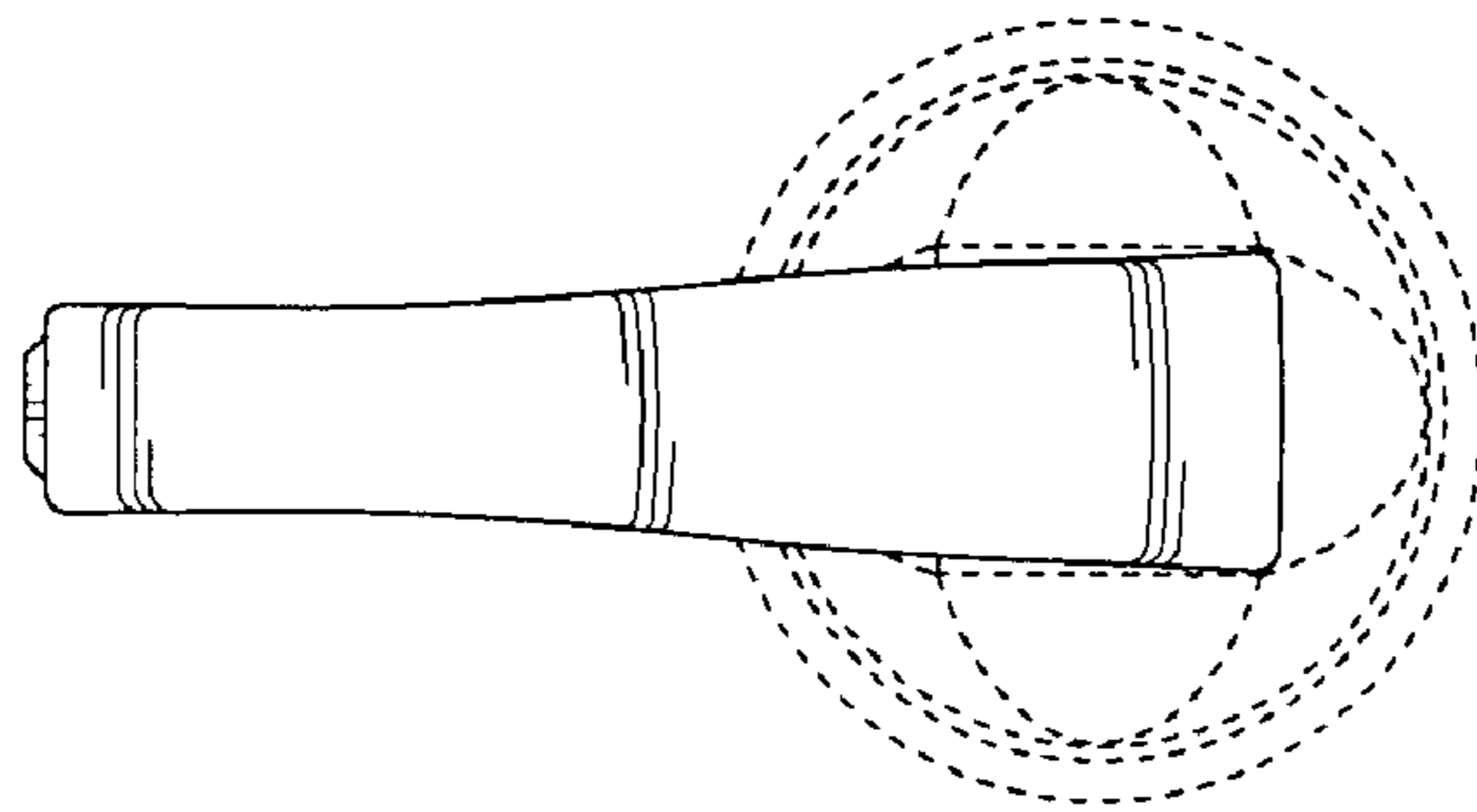


FIG. 6

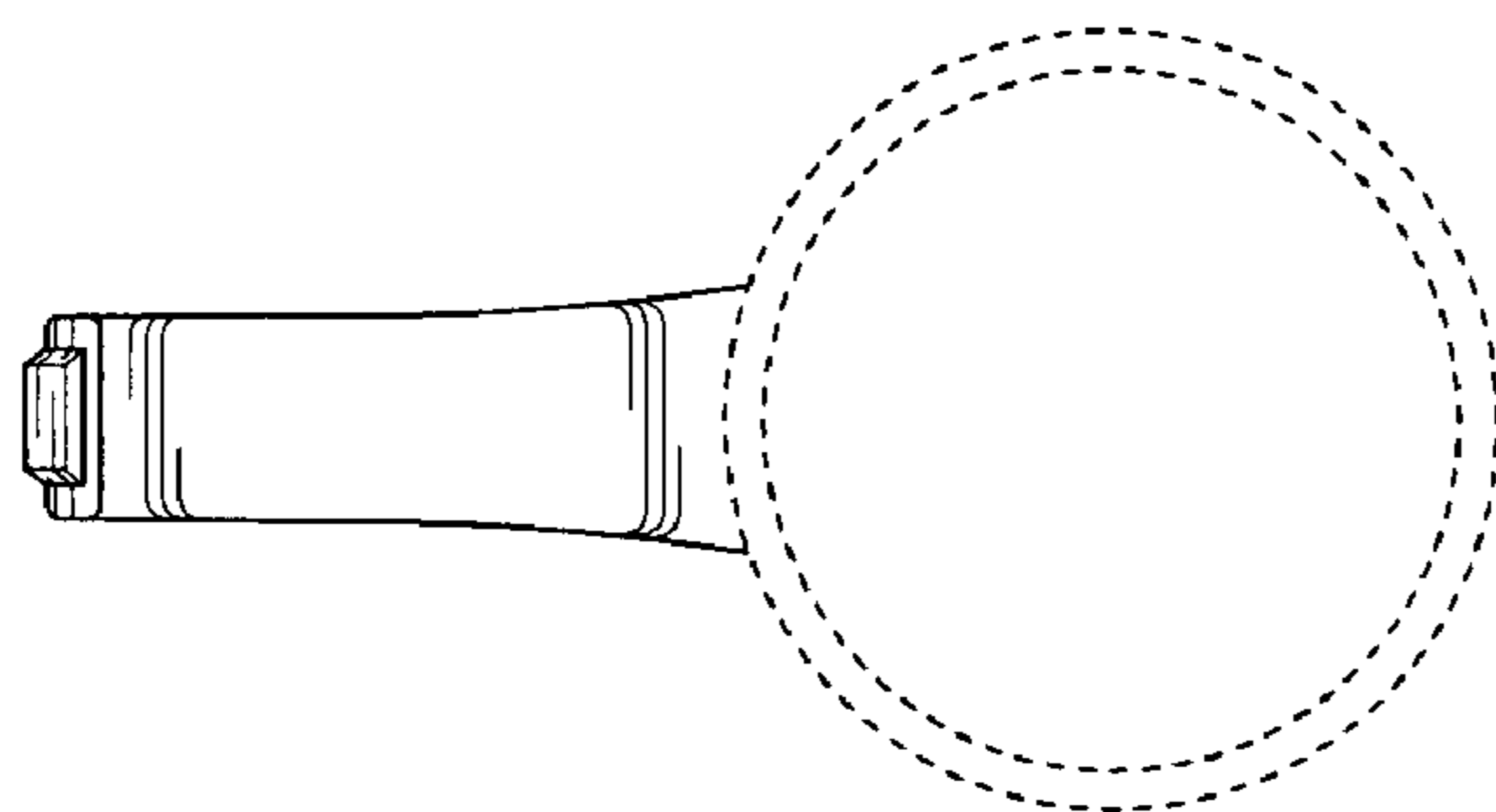


FIG. 7