



US00D580019S

(12) **United States Design Patent**
Sedwick

(10) **Patent No.:** **US D580,019 S**

(45) **Date of Patent:** **** Nov. 4, 2008**

(54) **HANDLE**

(75) Inventor: **Jennifer P. Sedwick**, Lakewood, OH
(US)

(73) Assignee: **Moen Incorporated**, North Olmsted,
OH (US)

(**) Term: **14 Years**

(21) Appl. No.: **29/307,285**

(22) Filed: **Apr. 10, 2008**

(51) **LOC (8) Cl.** **23-01**

(52) **U.S. Cl.** **D23/250**

(58) **Field of Classification Search** D23/200,
D23/238-257; D6/512, 546, 550; D8/300,
D8/307-308, 310-312, 321; 4/675-678;
137/801; 16/110.1, 441

See application file for complete search history.

(56) **References Cited**

U.S. PATENT DOCUMENTS

D297,357 S *	8/1988	Spangler	D23/252
D306,336 S	2/1990	Oberdorfer		
D324,725 S	3/1992	Lang et al.		
D347,269 S	5/1994	Yost		
D398,378 S *	9/1998	Lord	D23/252
5,873,389 A	2/1999	Cheng		
D413,654 S	9/1999	Paredes et al.		
D426,871 S	6/2000	Fleischmann		
D433,486 S *	11/2000	Lord	D23/250
D433,739 S *	11/2000	Lord	D23/252

D469,857 S	2/2003	Lim		
D490,878 S *	6/2004	Hunt	D23/252
D504,937 S *	5/2005	Green	D23/252
D521,354 S	5/2006	Gilbert et al.		
D523,120 S *	6/2006	Schaffeld et al.	D23/252
D523,932 S	6/2006	Schaffeld et al.		
D523,934 S *	6/2006	Schaffeld et al.	D23/252
D524,420 S	7/2006	Schaffeld et al.		
D569,487 S *	5/2008	Sheng	D23/250

* cited by examiner

Primary Examiner—Robert A. Delehanty

Assistant Examiner—Mark Cavanna

(74) *Attorney, Agent, or Firm*—Calfee, Halter & Griswold
LLP

(57) **CLAIM**

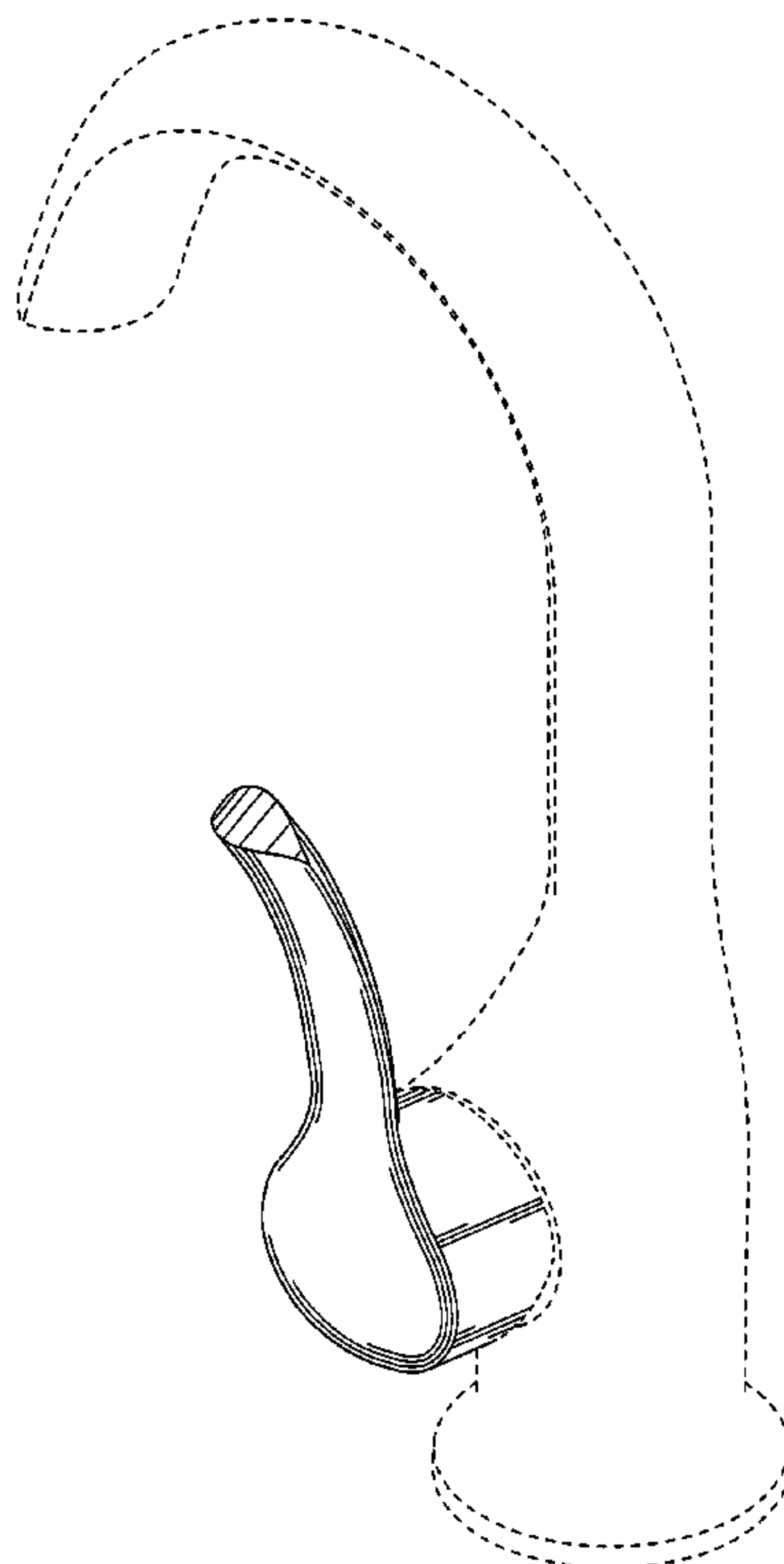
The ornamental design for a handle, as shown and described.

DESCRIPTION

FIG. 1 is a perspective view of a handle of the new design;
FIG. 2 is a front elevational view of the handle of FIG. 1, the
rear elevational view being a mirror image;
FIG. 3 is a left side elevational view of the handle of FIG. 1;
FIG. 4 is a right side elevational view of the handle of FIG. 1;
FIG. 5 is a top plan view of the handle of FIG. 1; and,
FIG. 6 is a bottom plan view of the handle of FIG. 1.

The portions of the Figures shown in broken lines are not part
of the claimed design and are for illustration only.

1 Claim, 4 Drawing Sheets



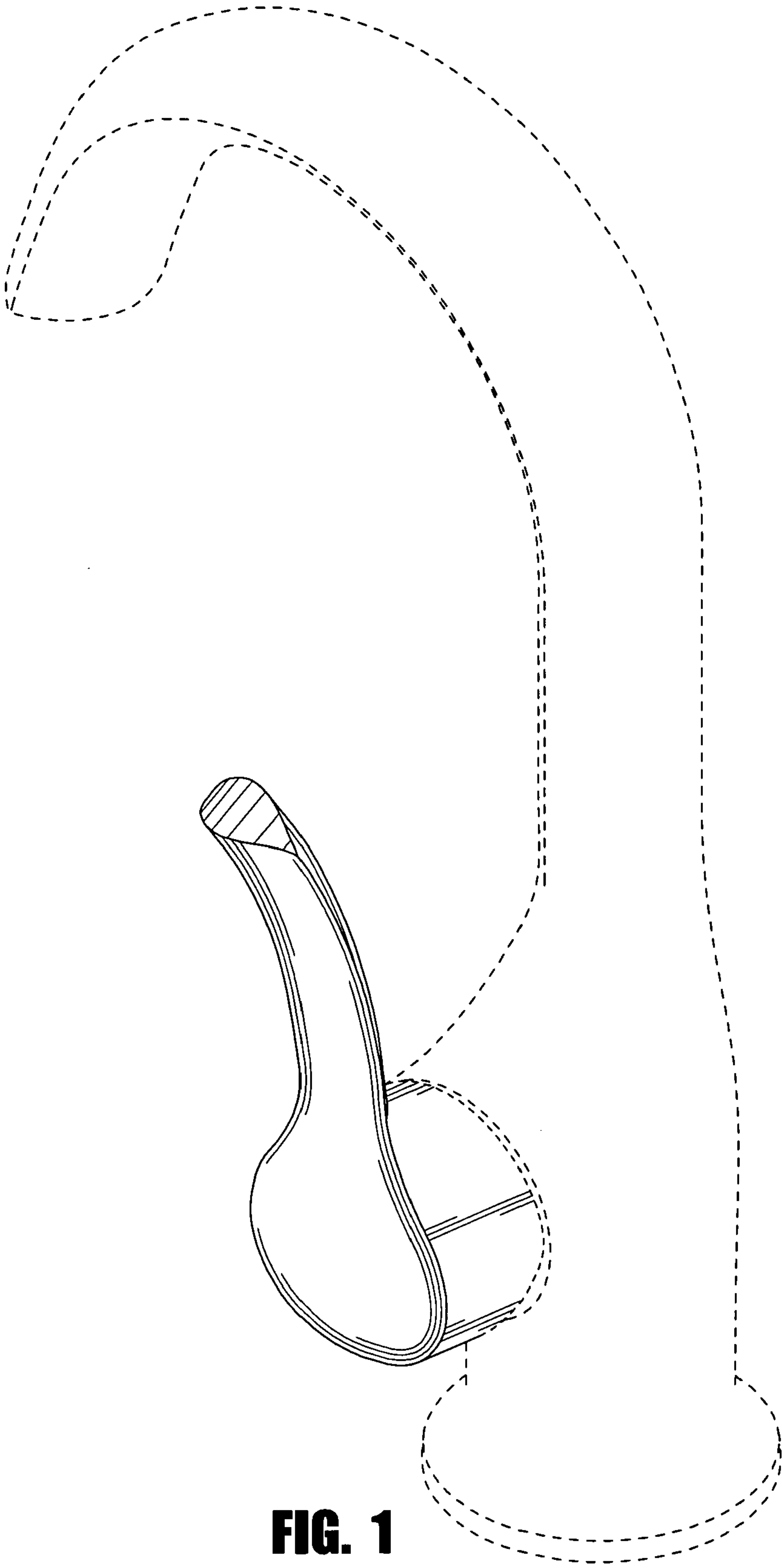


FIG. 1

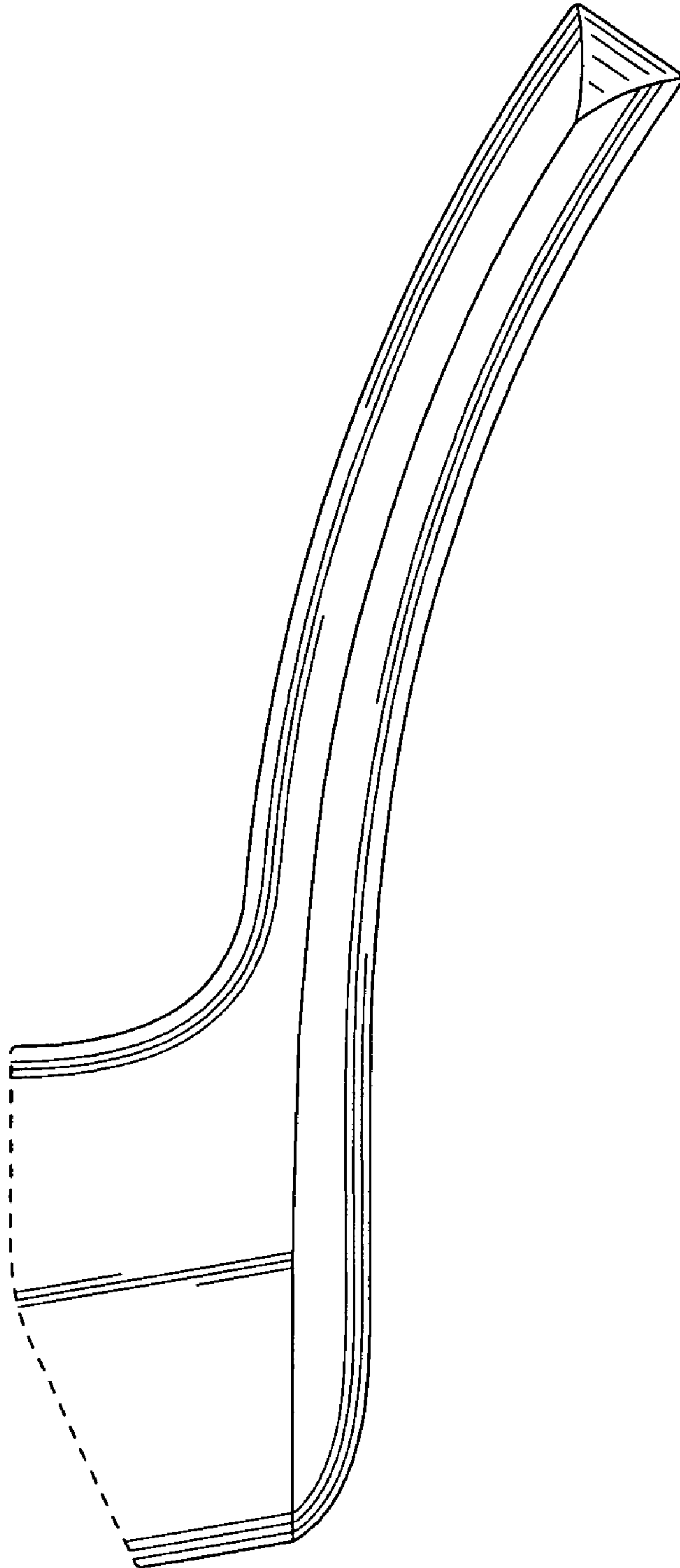


FIG. 2

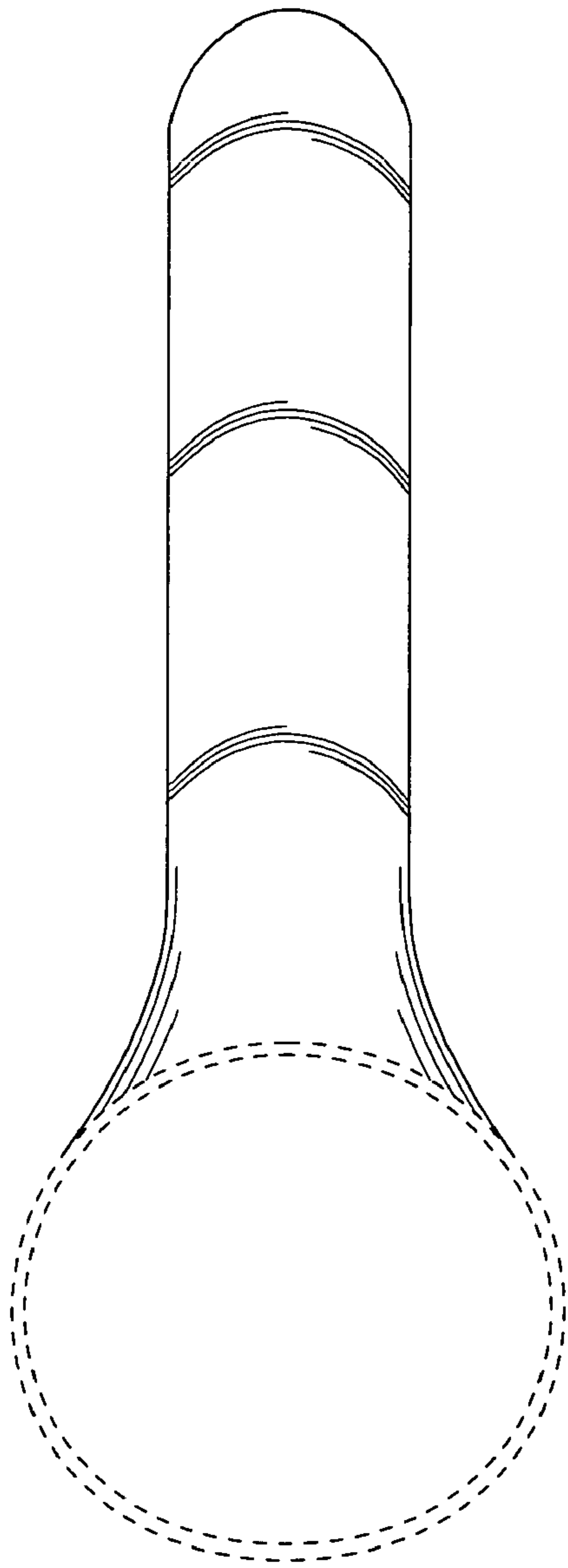


FIG. 3

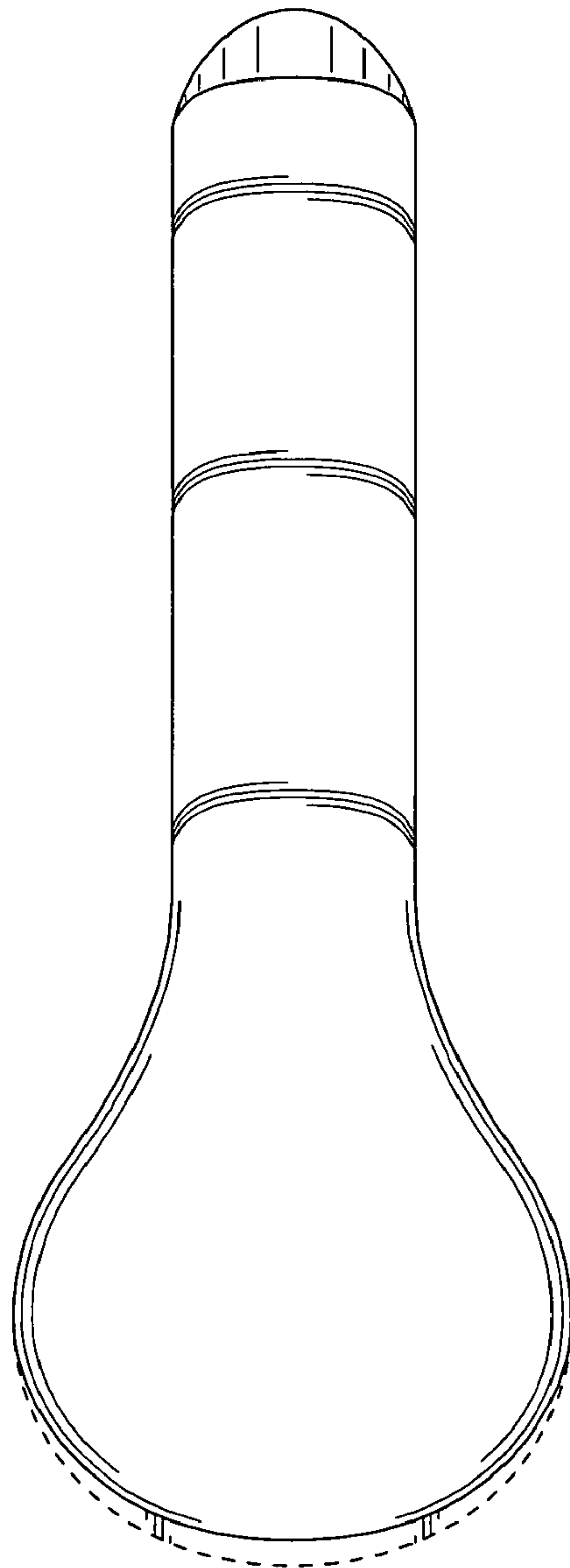


FIG. 4

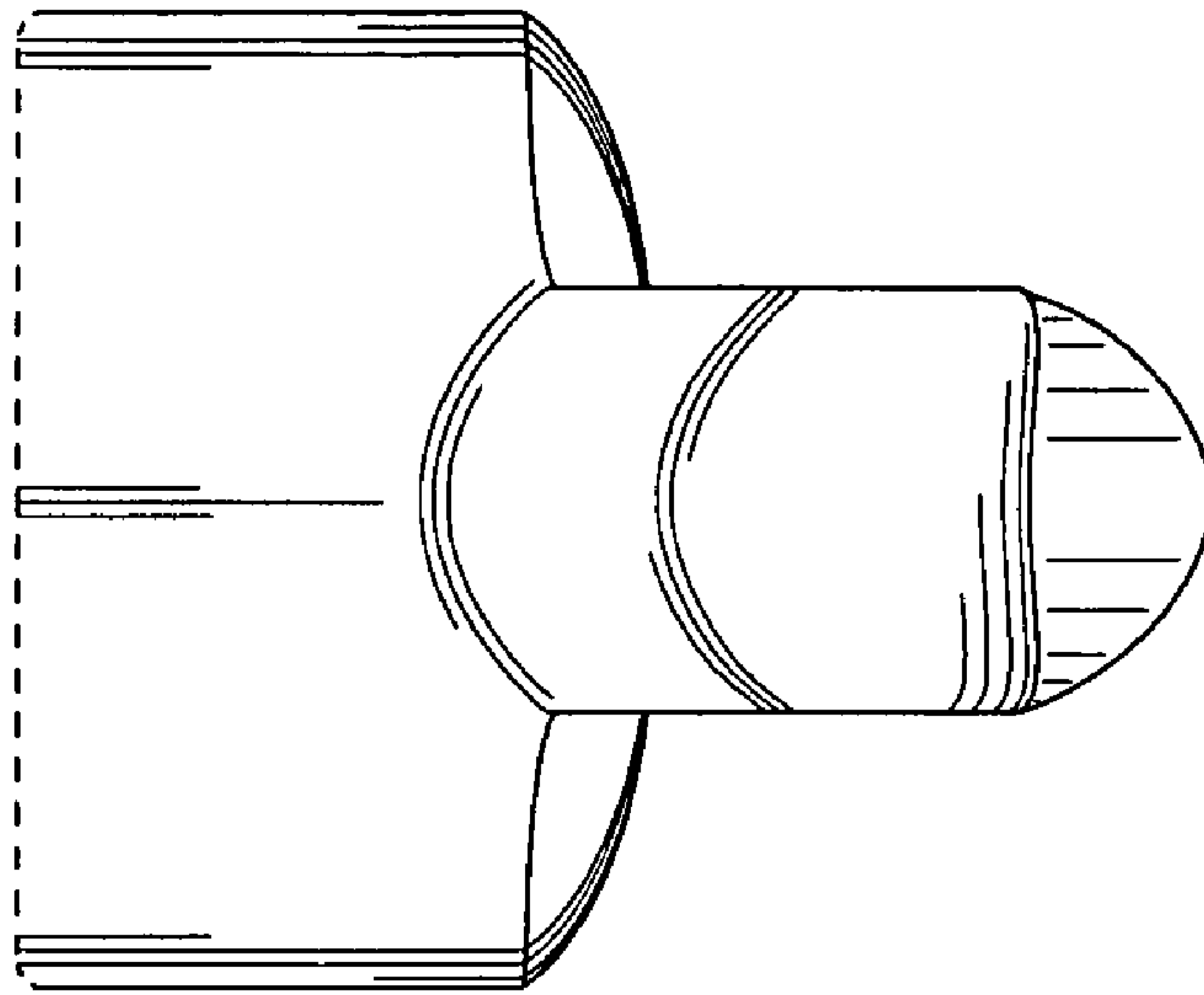


FIG. 5

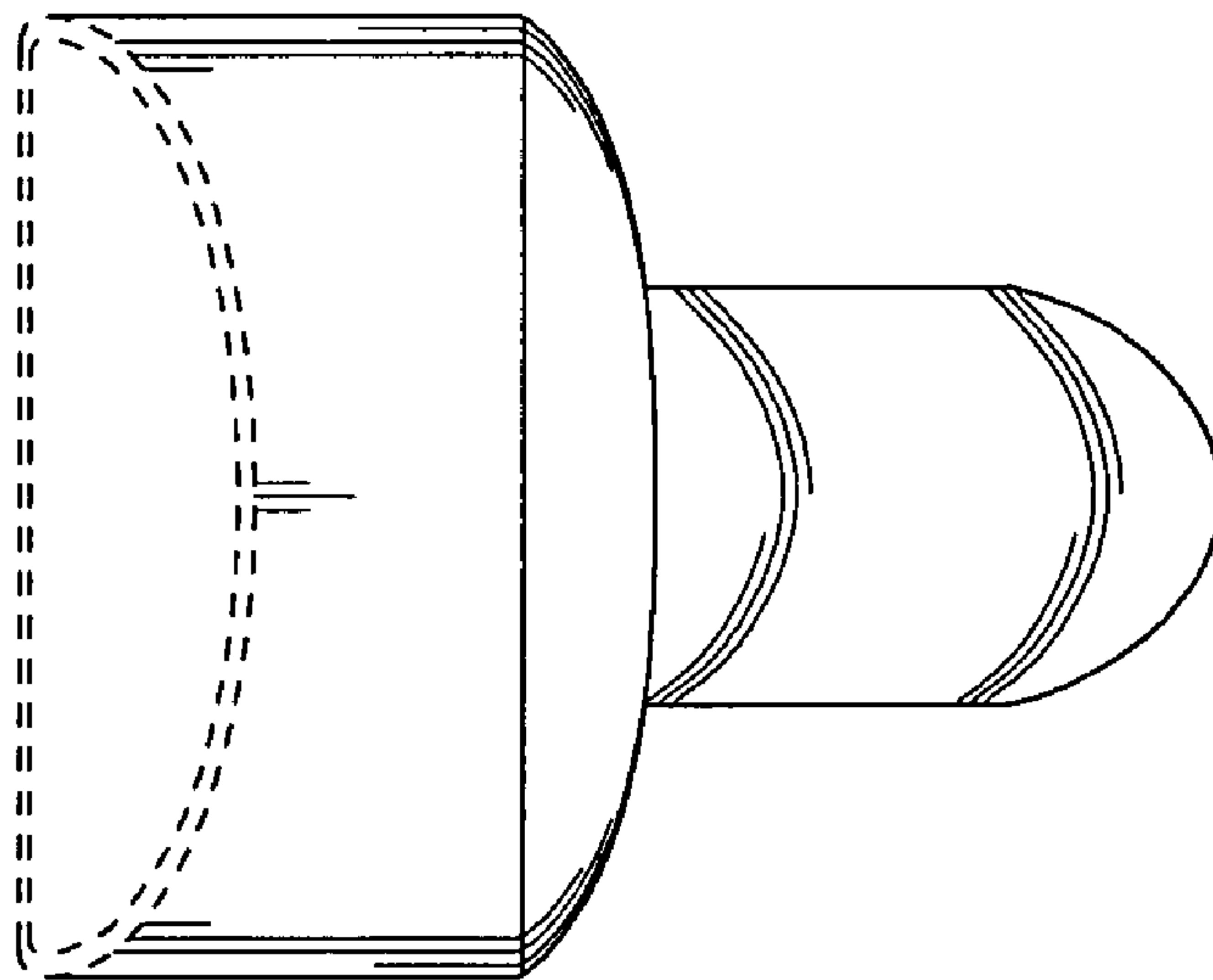


FIG. 6