



US00D580018S

(12) **United States Design Patent**
Williams

(10) **Patent No.:** **US D580,018 S**

(45) **Date of Patent:** **** Nov. 4, 2008**

(54) **FAUCET HANDLE**

(75) Inventor: **Emilie Williams**, Chicago, IL (US)

(73) Assignee: **Masco Corporation of Indiana**,
Indianapolis, IN (US)

(**) Term: **14 Years**

(21) Appl. No.: **29/306,101**

(22) Filed: **Apr. 2, 2008**

Related U.S. Application Data

(63) Continuation of application No. 29/279,432, filed on
May 1, 2007, now Pat. No. Des. 569,950.

(51) **LOC (8) Cl.** **23-01**

(52) **U.S. Cl.** **D23/250**

(58) **Field of Classification Search** D23/200,
D23/238-257; D6/512, 546, 550; D8/300,
D8/307-308, 310-312, 321; 4/675-678;
137/801; 16/110.1, 441

See application file for complete search history.

(56) **References Cited**

U.S. PATENT DOCUMENTS

D469,856 S *	2/2003	Bouilloux et al.	D23/250
D496,716 S *	9/2004	Green	D23/252
D510,414 S *	10/2005	Jones	D23/252
D522,632 S *	6/2006	Spangler	D23/252

D523,528 S *	6/2006	Schaffeld et al.	D23/252
D523,532 S *	6/2006	Schaffeld et al.	D23/252
D523,533 S *	6/2006	Schaffeld et al.	D23/252
D523,931 S *	6/2006	Schaffeld et al.	D23/252
D531,272 S *	10/2006	Lord et al.	D23/252
D532,873 S *	11/2006	Soriano	D23/252

* cited by examiner

Primary Examiner—Robert A. Delehanty

Assistant Examiner—Mark Cavanna

(74) *Attorney, Agent, or Firm*—Leon E. Redman; Lloyd D.
Doigan

(57) **CLAIM**

The ornamental design for a faucet handle, as shown and
described.

DESCRIPTION

FIG. 1 is a front perspective view of a faucet handle showing
my new design;

FIG. 2 is a front elevational view thereof;

FIG. 3 is a rear elevational view thereof;

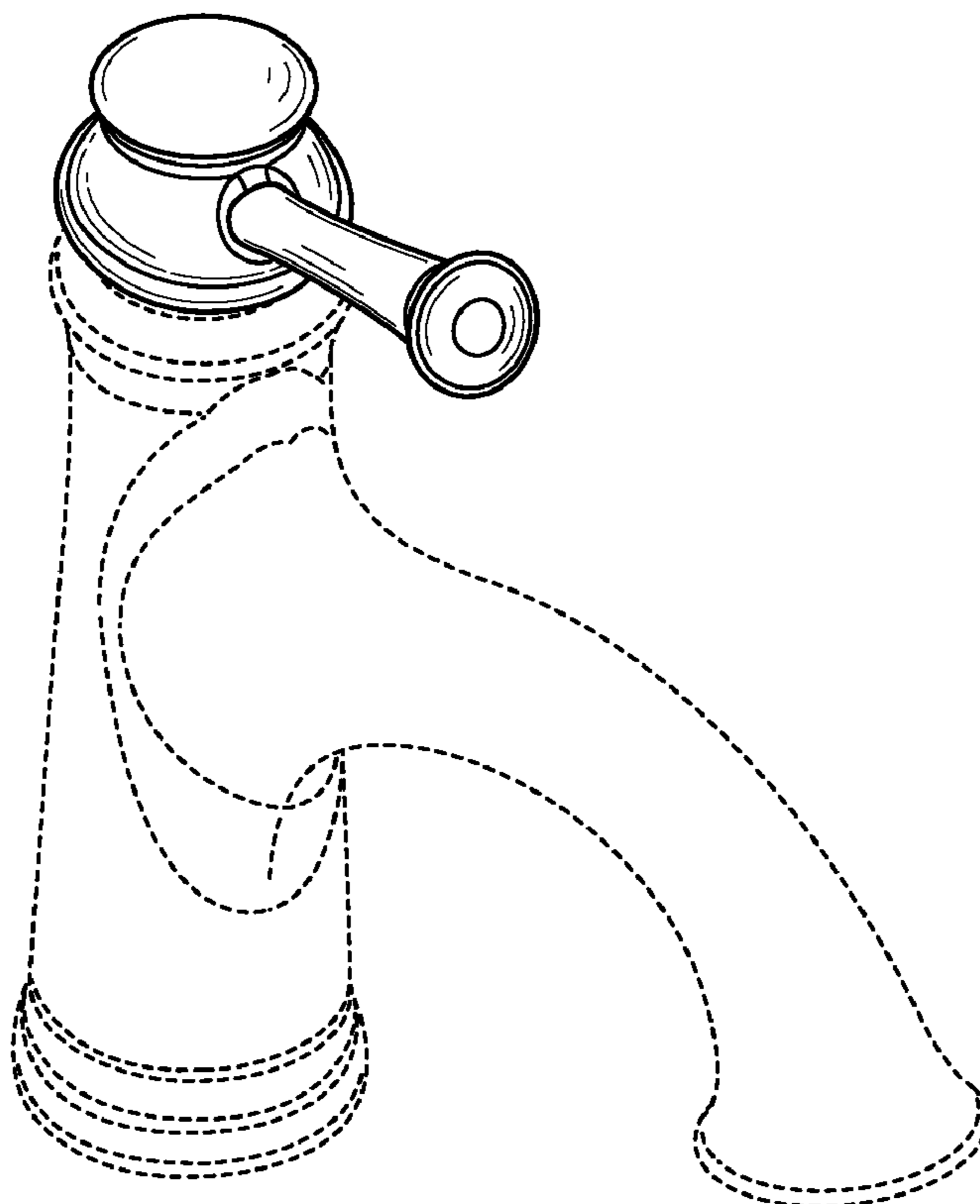
FIG. 4 is a top plan view thereof;

FIG. 5 is a left side elevational view thereof; and,

FIG. 6 is a right side elevational view thereof.

The broken lines in the Figures are for illustrative purposes
only and form no part of the claimed design.

1 Claim, 5 Drawing Sheets



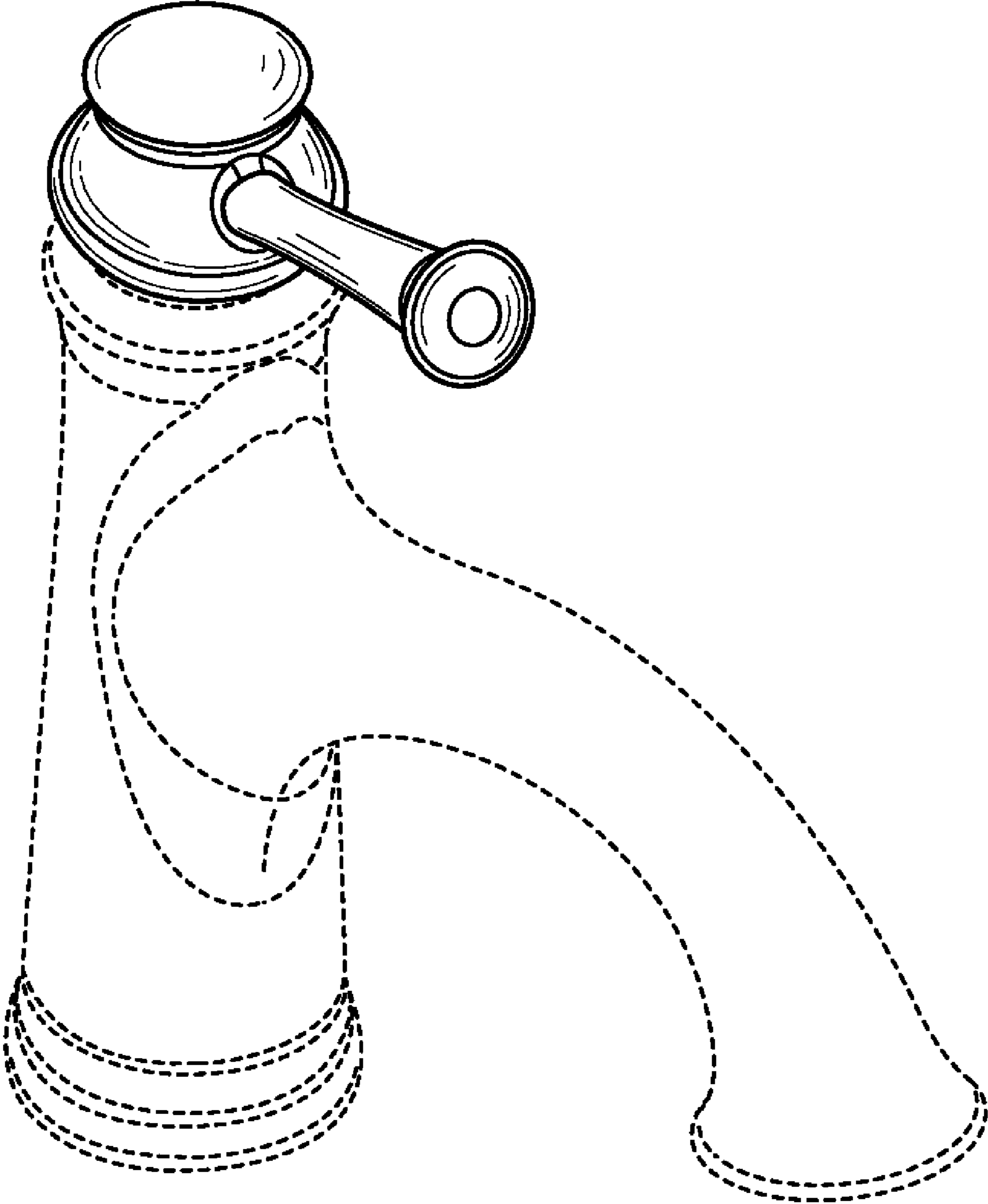


FIG. 1

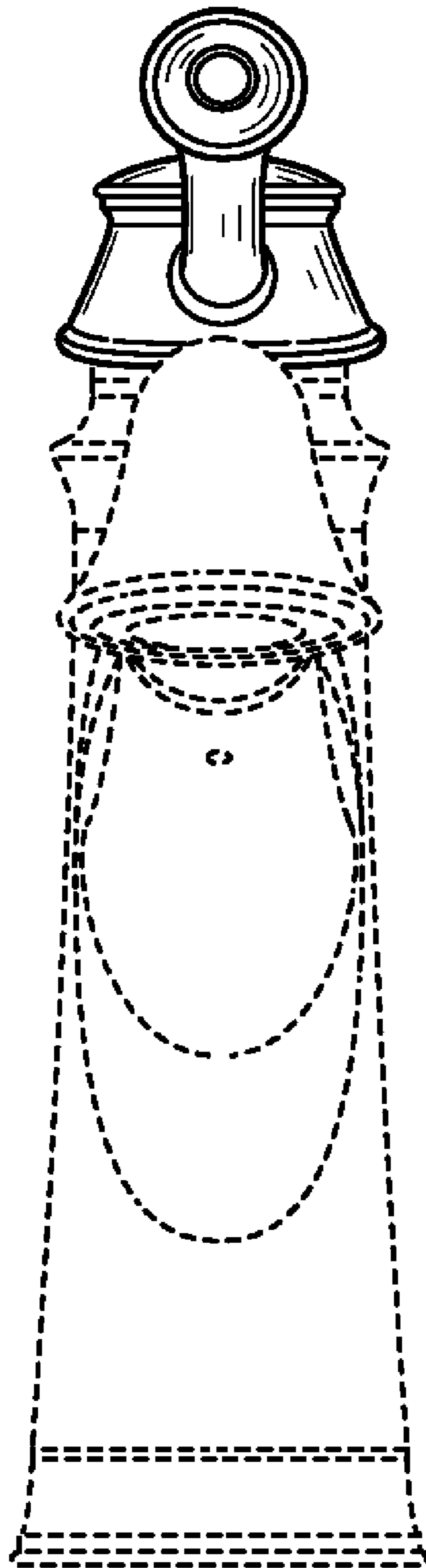


FIG. 2

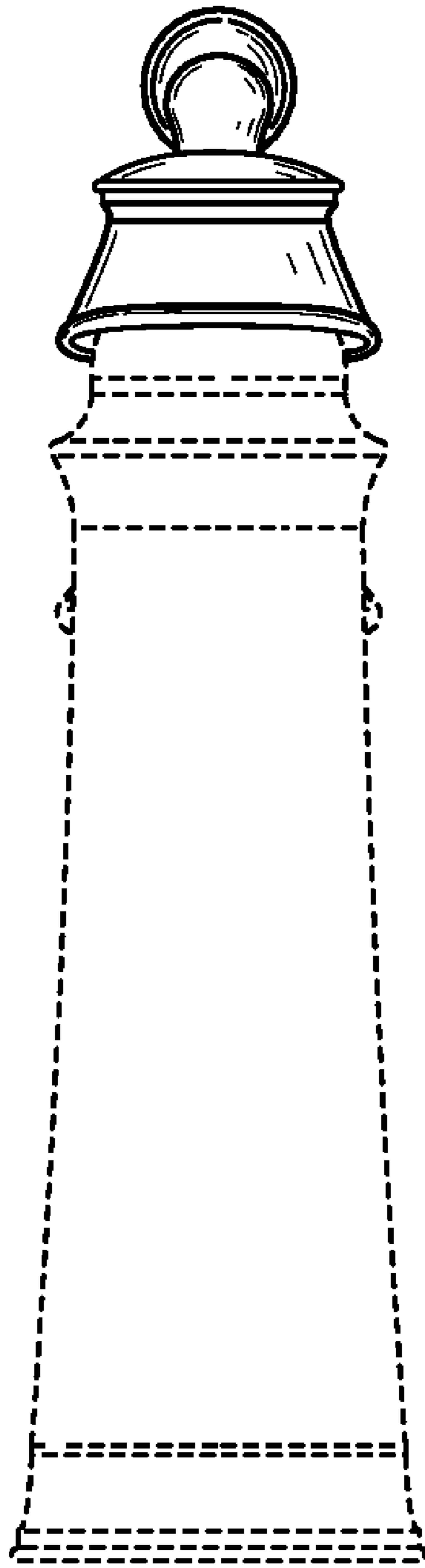


FIG. 3

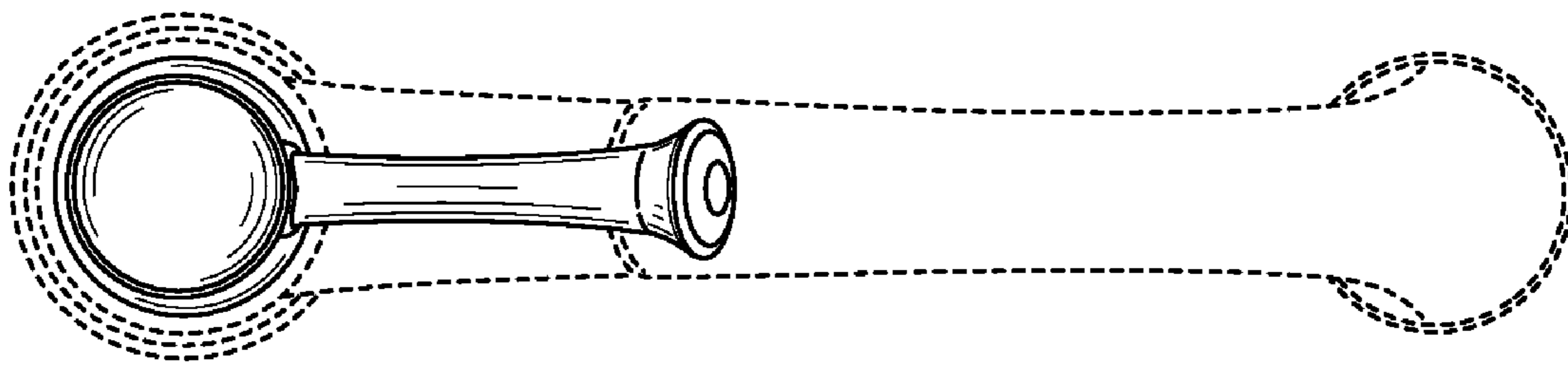


FIG. 4

