



US00D580016S

(12) **United States Design Patent**  
**Downey**

(10) **Patent No.:** **US D580,016 S**  
(45) **Date of Patent:** **\*\* Nov. 4, 2008**

(54) **FAUCET BODY**

(75) Inventor: **David R. Downey**, Garden Grove, CA (US)

(73) Assignee: **Newfrey LLC**, Newark, DE (US)

(\*\*) Term: **14 Years**

(21) Appl. No.: **29/298,953**

(22) Filed: **Dec. 17, 2007**

(51) **LOC (8) Cl.** ..... **23-01**

(52) **U.S. Cl.** ..... **D23/238**

(58) **Field of Classification Search** ..... D23/200,  
D23/235, 238-257; D6/512, 546, 550; D8/300,  
D8/307-308, 310-312, 321; 4/675-678;  
137/801; 16/110.1, 441

See application file for complete search history.

(56) **References Cited**

**U.S. PATENT DOCUMENTS**

|              |        |              |         |
|--------------|--------|--------------|---------|
| D28,358 S    | 3/1898 | Gays         |         |
| D186,012 S   | 8/1959 | Sosnick      |         |
| D301,056 S * | 5/1989 | Paul         | D23/242 |
| D346,105 S   | 4/1994 | Shaanan      |         |
| D475,124 S   | 5/2003 | Citterio     |         |
| D477,654 S   | 7/2003 | Citterio     |         |
| D479,740 S   | 9/2003 | Citterio     |         |
| D503,217 S   | 3/2005 | Aubry et al. |         |
| D518,153 S * | 3/2006 | Theberge     | D23/255 |
| D519,617 S * | 4/2006 | Hoernig      | D23/255 |
| D521,613 S * | 5/2006 | Hoernig      | D23/255 |
| D522,092 S * | 5/2006 | Hoernig      | D23/238 |
| D524,416 S   | 7/2006 | Haug et al.  |         |
| D527,794 S * | 9/2006 | Sieger       | D23/238 |

|              |         |                 |         |
|--------------|---------|-----------------|---------|
| D528,640 S * | 9/2006  | Yoshioka        | D23/255 |
| D532,489 S   | 11/2006 | Aubry et al.    |         |
| D533,630 S * | 12/2006 | Zetsche         | D23/238 |
| D534,991 S * | 1/2007  | Sieger          | D23/238 |
| D540,917 S * | 4/2007  | Kikuchi         | D23/241 |
| D546,421 S   | 7/2007  | Kulig et al.    |         |
| D547,831 S   | 7/2007  | Williams et al. |         |
| D553,714 S * | 10/2007 | Demmer et al.   | D23/238 |
| D556,863 S * | 12/2007 | Demmer et al.   | D23/235 |

\* cited by examiner

*Primary Examiner*—Loius Zarfaz

*Assistant Examiner*—Mark Cavanna

(74) *Attorney, Agent, or Firm*—Richard J. Veltman

(57) **CLAIM**

The ornamental design for a faucet body, as shown and described.

**DESCRIPTION**

FIG. 1 is a perspective view of a faucet body showing a new design;

FIG. 2 is a front view thereof;

FIG. 3 is a back view thereof;

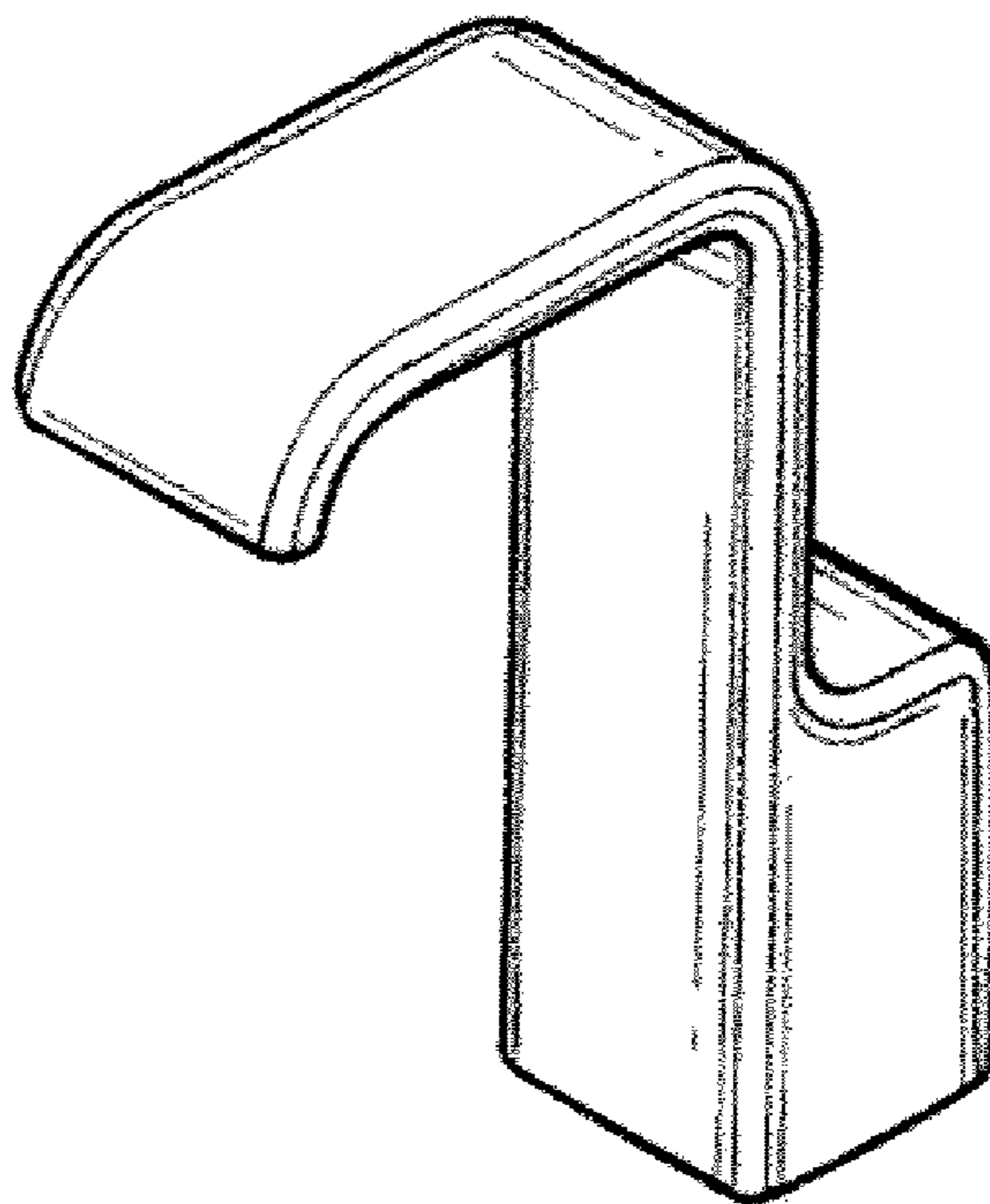
FIG. 4 is a top view thereof;

FIG. 5 is a bottom view thereof; and,

FIG. 6 is a right side view thereof, the left side view being a mirror image.

The broken lines are included for the purpose of illustrating portions of the faucet assembly that forms no part of the claimed design.

**1 Claim, 2 Drawing Sheets**



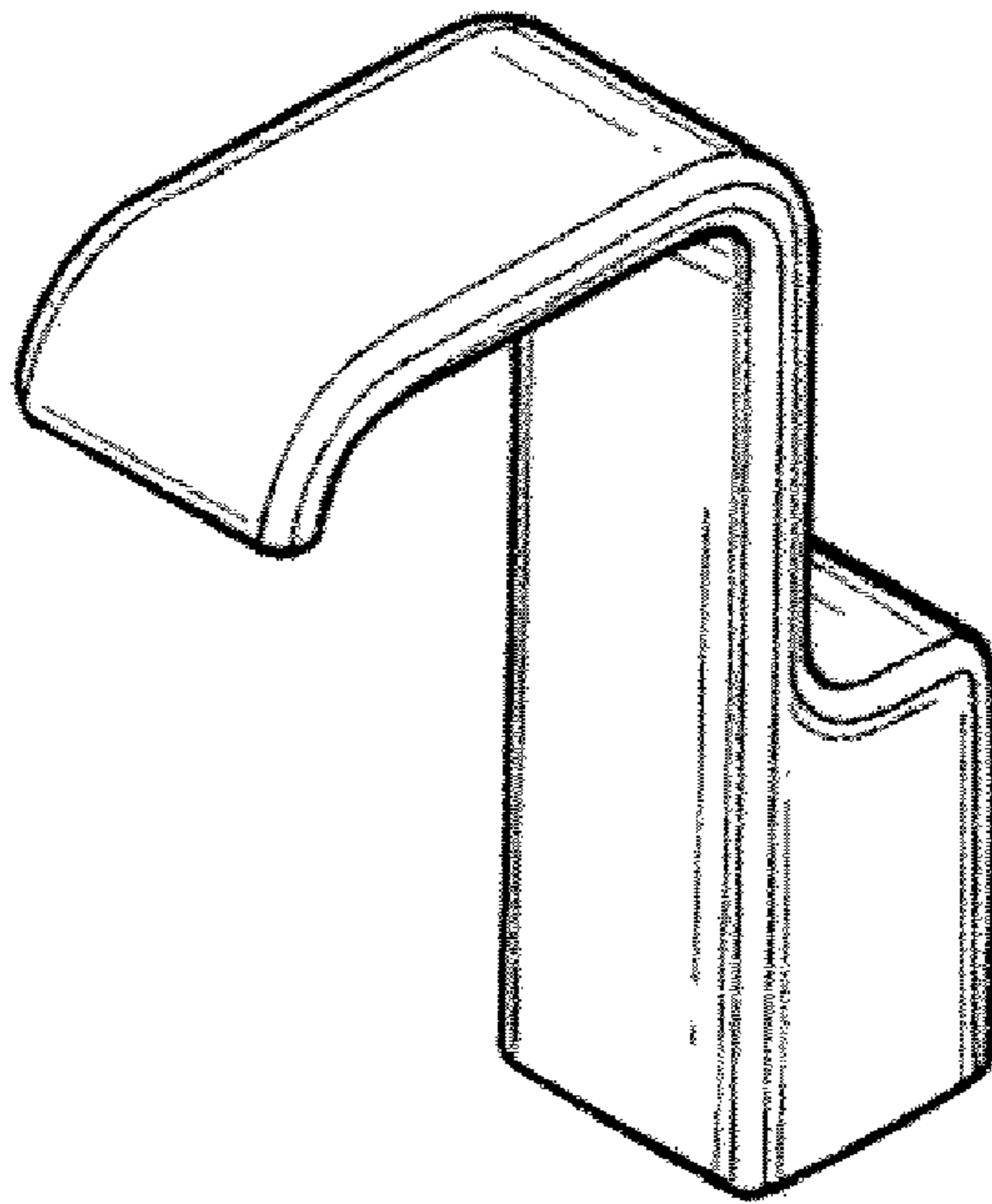


FIG. 1

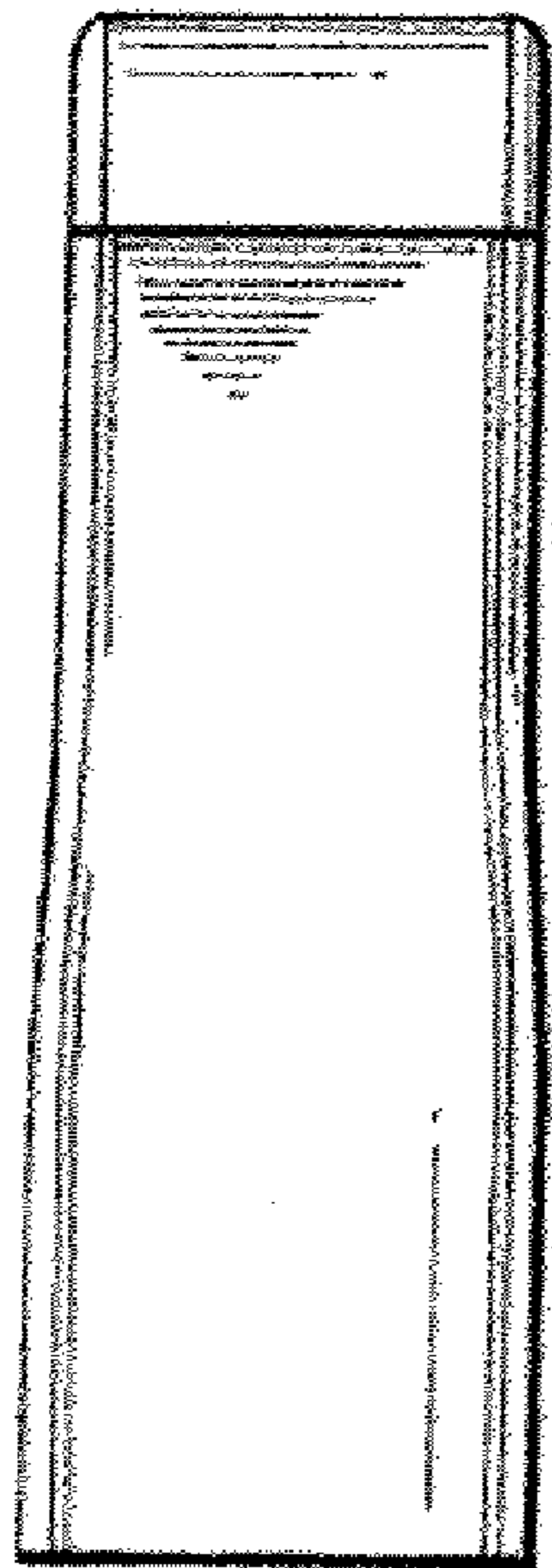


FIG. 2

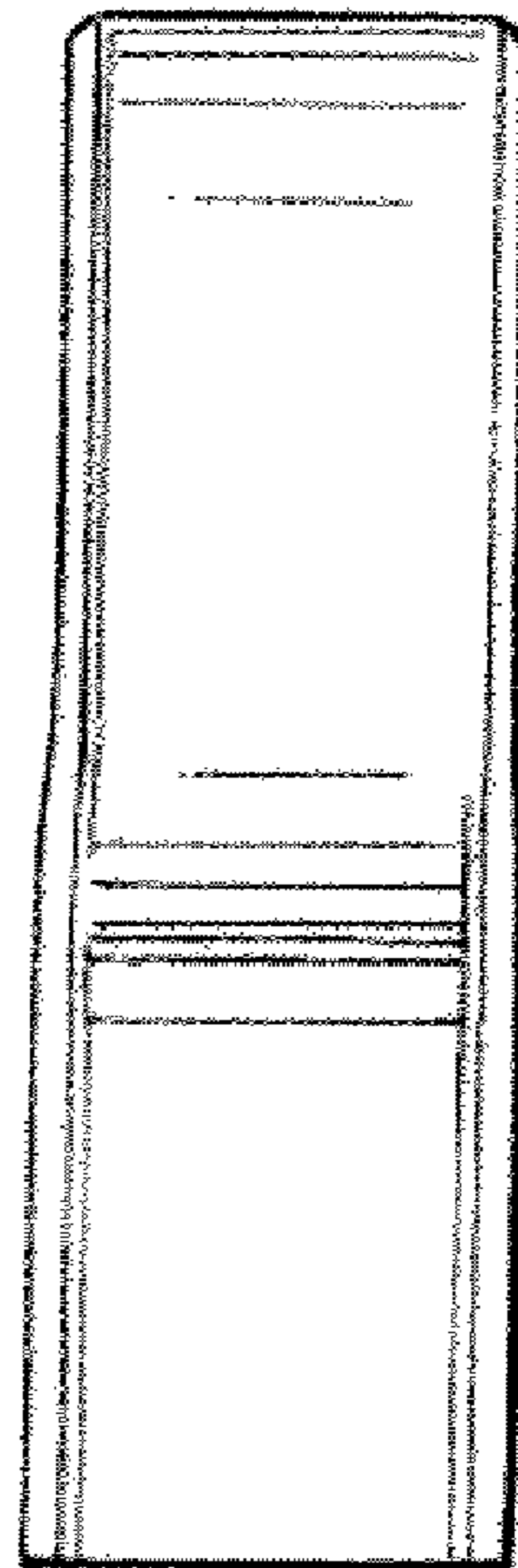


FIG. 3

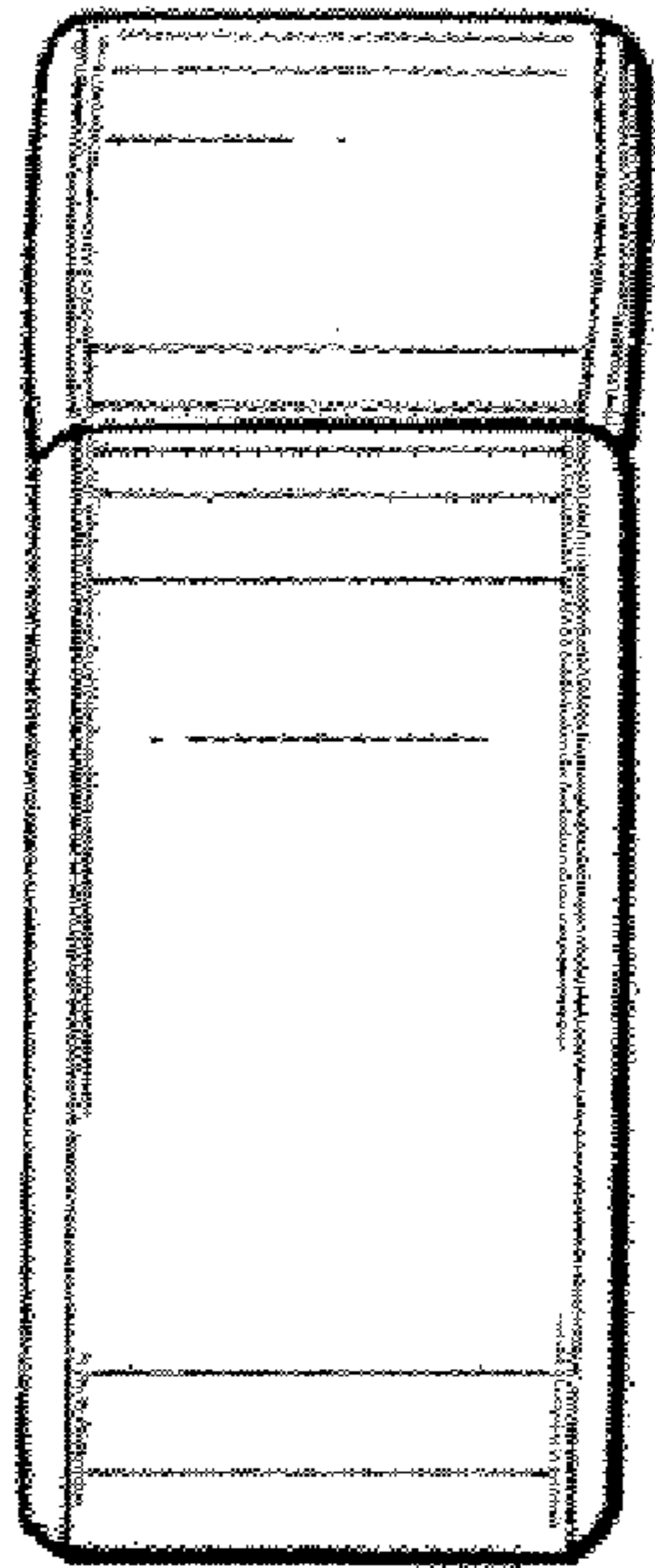


FIG. 4

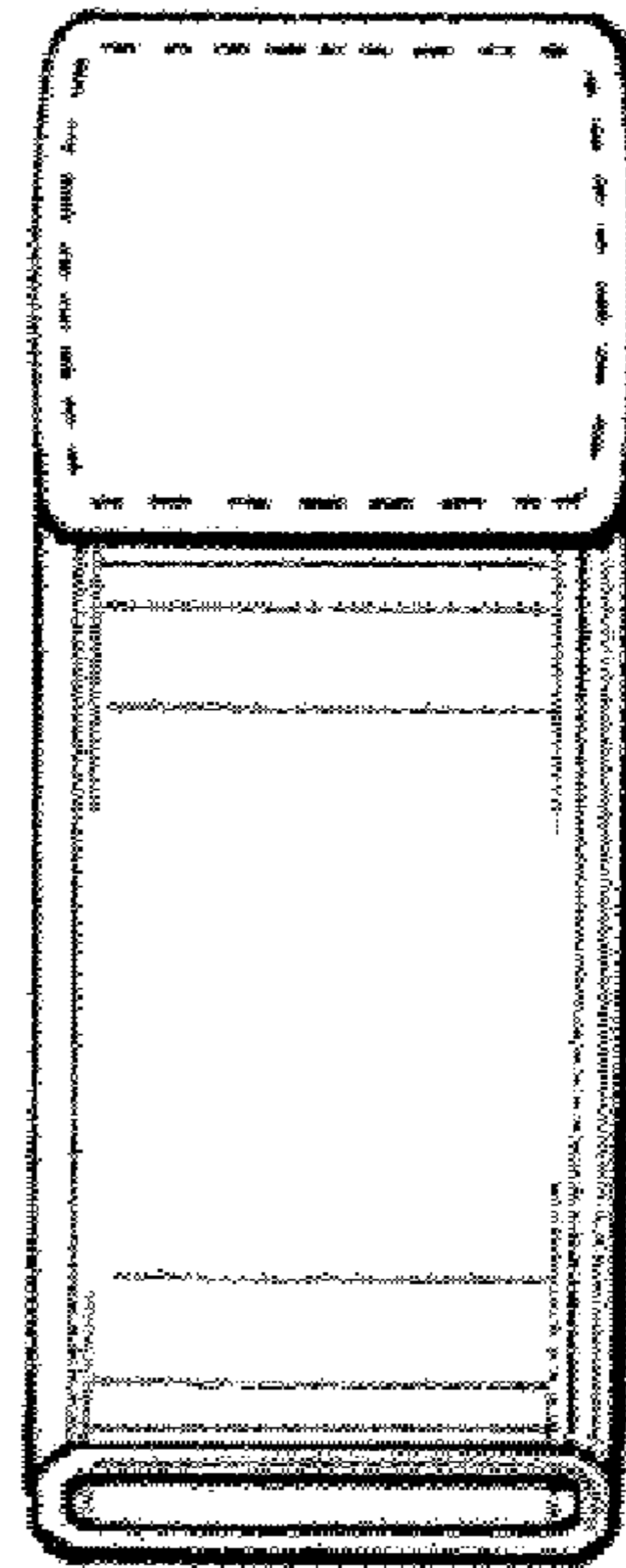


FIG. 5

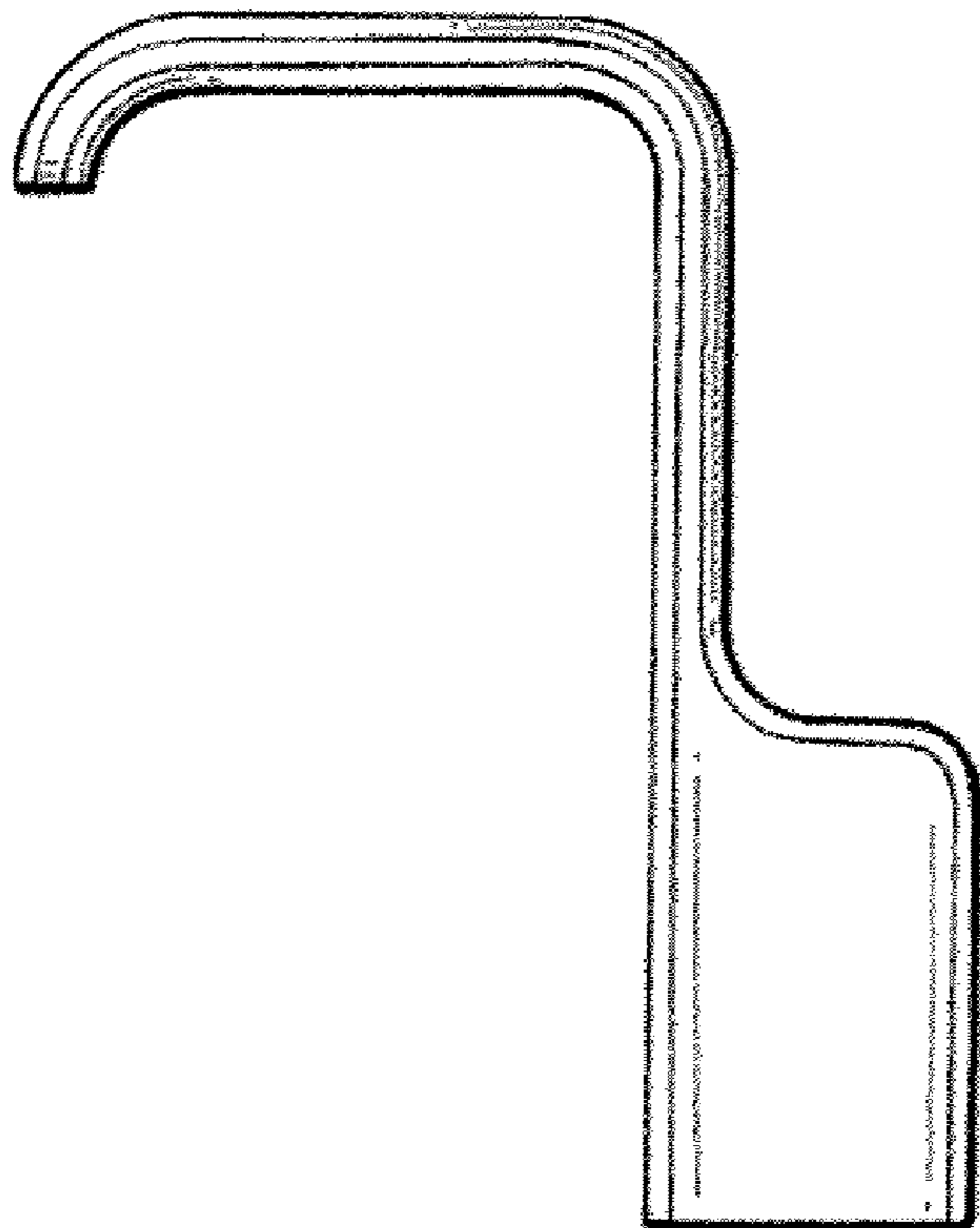


FIG. 6