

US00D580014S

(12) **United States Design Patent**  
**Citterio**

(10) **Patent No.:** **US D580,014 S**  
(45) **Date of Patent:** **\*\* Nov. 4, 2008**

(54) **FAUCET**

D532,084 S \* 11/2006 Toyohara ..... D23/238  
D548,308 S \* 8/2007 Hoernig ..... D23/238

(75) Inventor: **Antonio Citterio**, Milan (IT)

(73) Assignee: **Hansgrohe AG** (DE)

(\*\*) Term: **14 Years**

(21) Appl. No.: **29/283,263**

(22) Filed: **Aug. 9, 2007**

(30) **Foreign Application Priority Data**

Feb. 27, 2007 (EM) ..... 000679303-0003

(51) **LOC (8) Cl.** ..... **23-01**

(52) **U.S. Cl.** ..... **D23/238**

(58) **Field of Classification Search** ..... D23/200,  
D23/238-257; D6/512, 546, 550; D8/300,  
D8/307-308, 310-312, 321; 4/675-678;  
137/801; 16/110.1, 441

See application file for complete search history.

(56) **References Cited**

**U.S. PATENT DOCUMENTS**

D301,162 S \* 5/1989 Oberdorfer ..... D23/238  
D324,723 S \* 3/1992 Chretien ..... D23/238  
D355,706 S \* 2/1995 Chretien ..... D23/238  
D416,077 S \* 11/1999 Fleischmann ..... D23/238  
D420,430 S \* 2/2000 Lobermeier ..... D23/238  
D435,088 S \* 12/2000 Fleischmann ..... D23/238  
D441,429 S \* 5/2001 Mullenmeister ..... D23/238  
D517,653 S \* 3/2006 Ito ..... D23/238

**OTHER PUBLICATIONS**

RubINETTERIE F.lli Frattini spa—Constellation Fratelli Frattini Model No. 52065.  
Sommariva RubINETTERIE Bathroom Collection 04—Joy Collection Model No. J 301.

\* cited by examiner

*Primary Examiner*—Louis S Zarfaz

*Assistant Examiner*—Mark Cavanna

(74) *Attorney, Agent, or Firm*—Leon E. Redman; Lloyd D. Doigan

(57) **CLAIM**

The ornamental design for a faucet, as shown and described.

**DESCRIPTION**

FIG. 1 is a front perspective view of a faucet showing my design;

FIG. 2 is a front elevational view thereof;

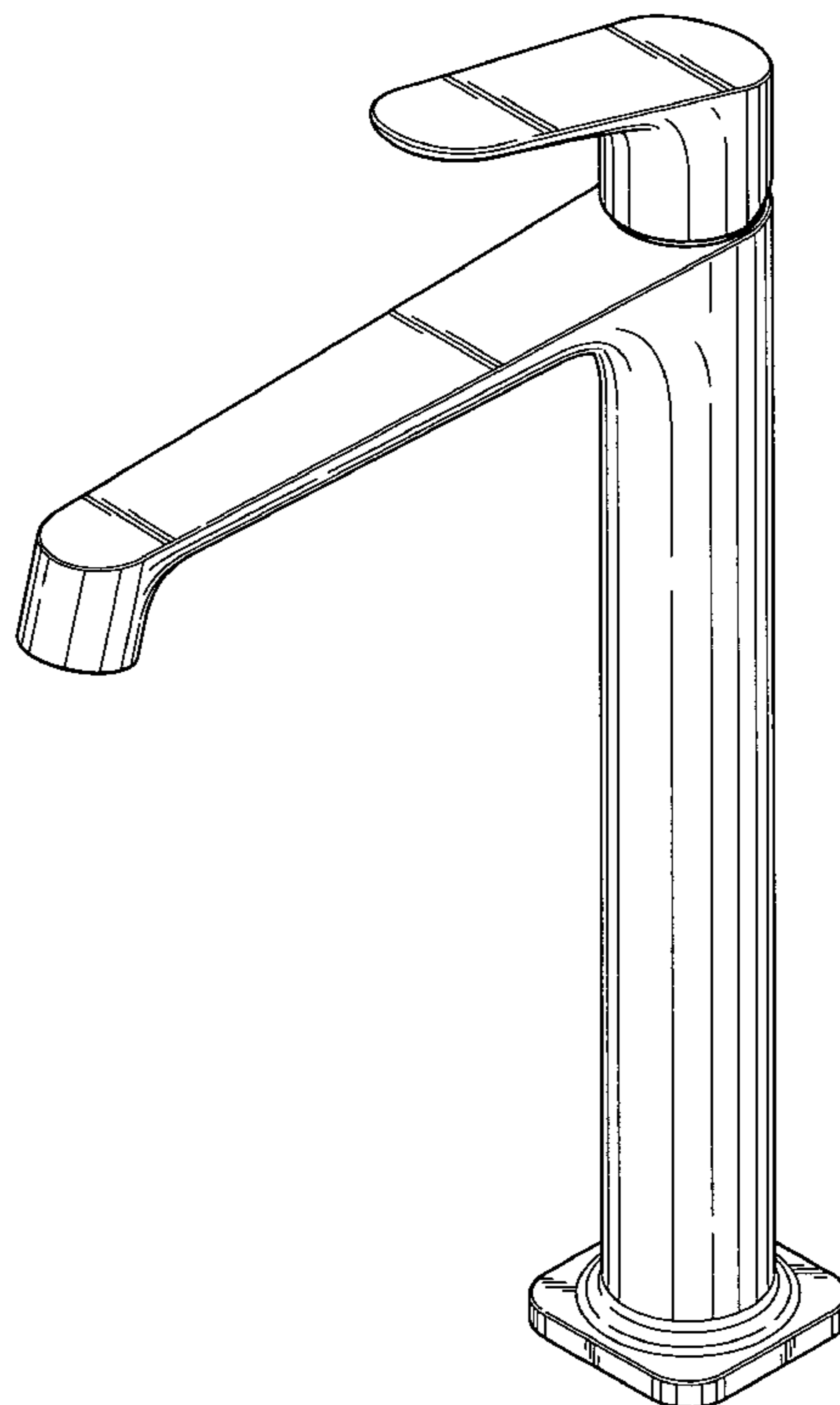
FIG. 3 is a rear elevational view thereof;

FIG. 4 is a left side elevational view thereof; the right side elevational view being a mirror image thereof; and,

FIG. 5 is a top plan view thereof.

The broken lines in the figures are included for the purpose of illustrating portions of the faucet that form no part of the claimed design.

**1 Claim, 4 Drawing Sheets**



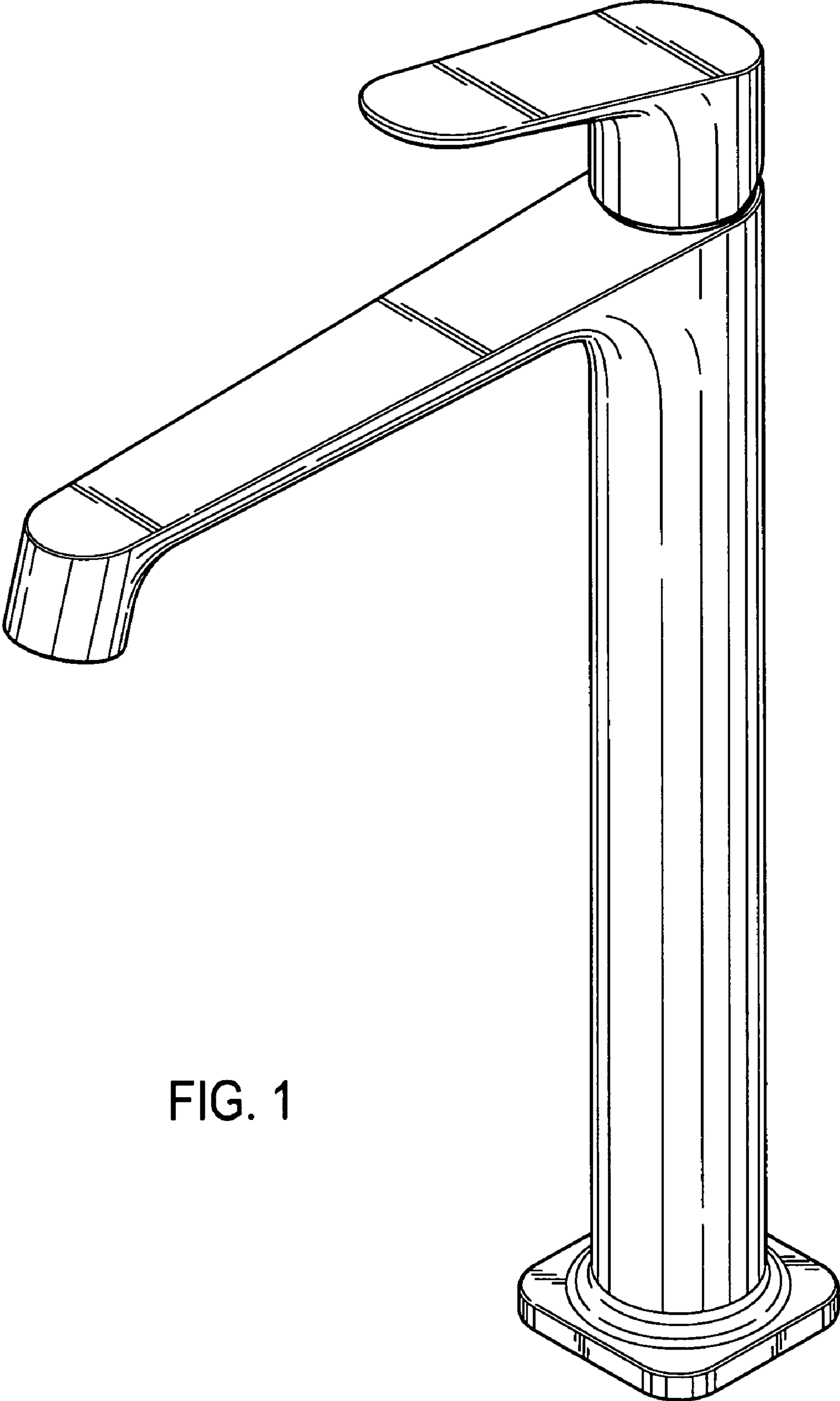


FIG. 1

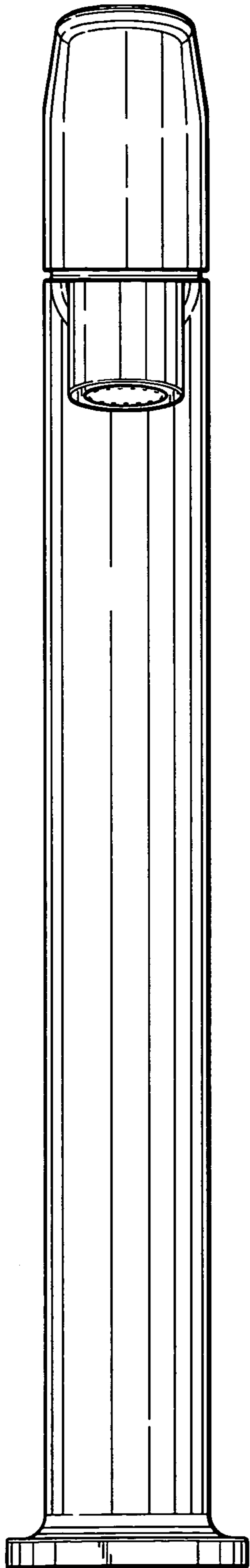


FIG. 2

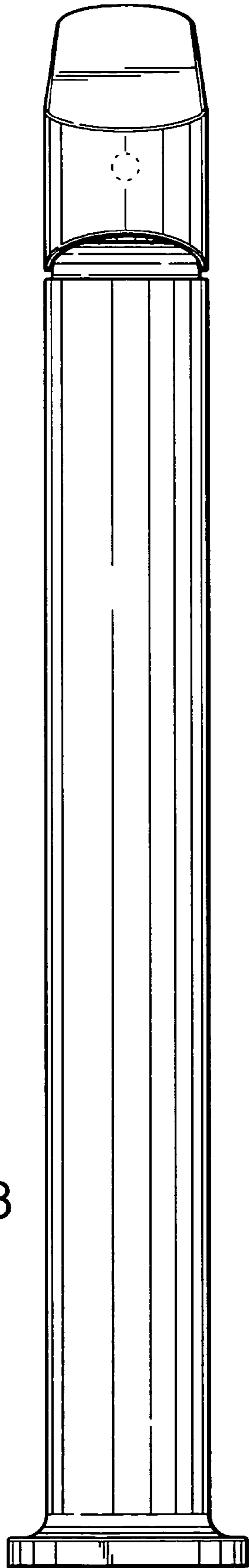


FIG. 3

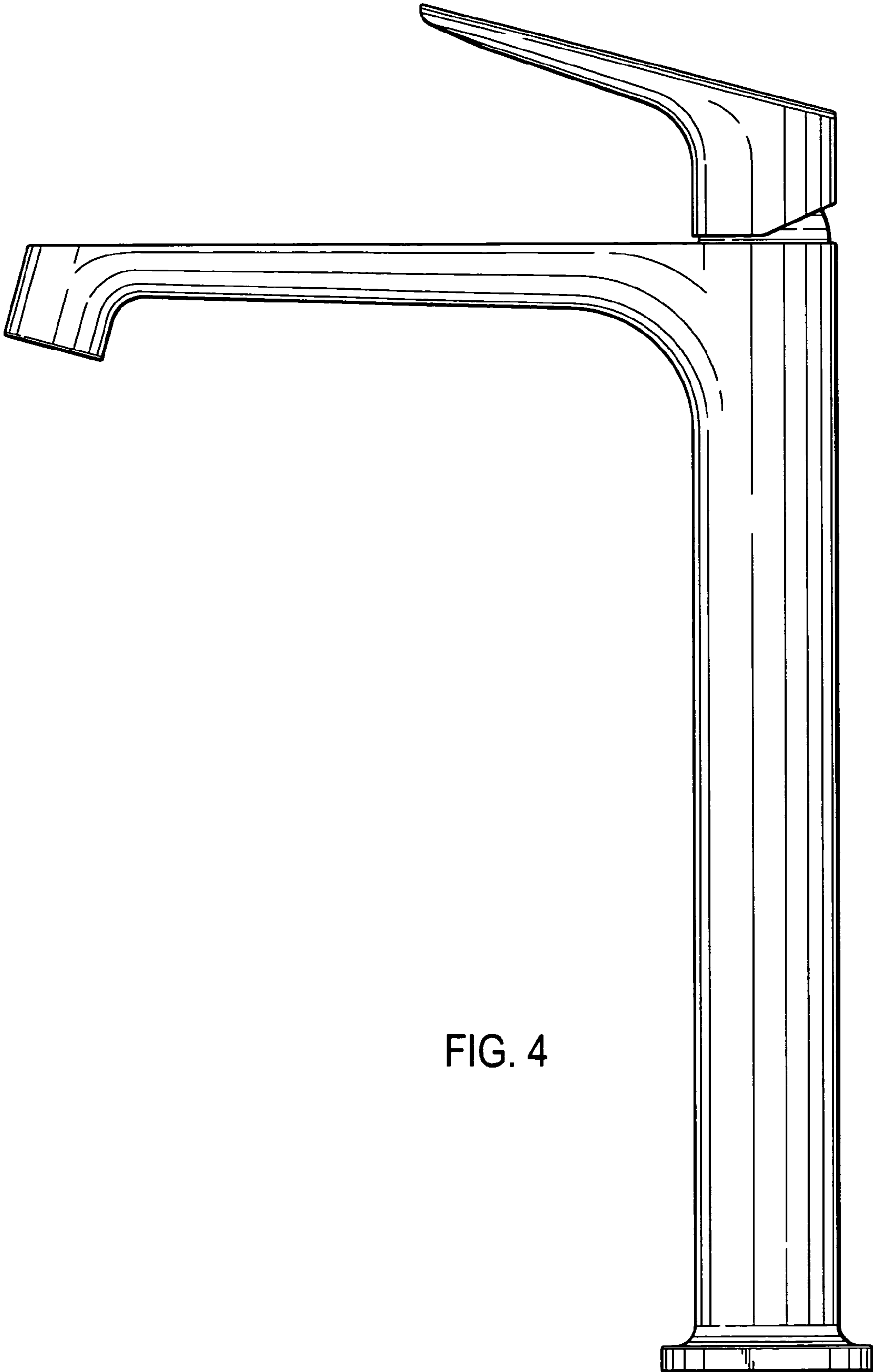


FIG. 4

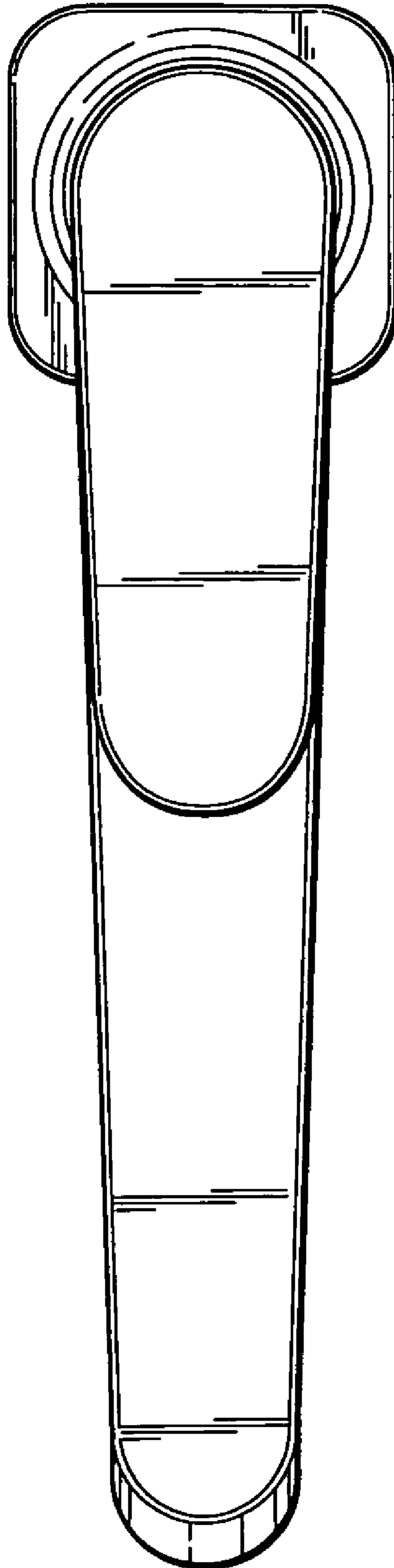


FIG. 5