



US00D580010S

(12) **United States Design Patent**
Lee

(10) **Patent No.:** **US D580,010 S**
(45) **Date of Patent:** **** Nov. 4, 2008**

(54) **SHOWER HEAD**

(75) Inventor: **Chin-Tsai Lee**, Chang Hua Hsien (TW)

(73) Assignee: **Phoenix Tapware**, Victoria (AU)

(**) Term: **14 Years**

(21) Appl. No.: **29/296,839**

(22) Filed: **Oct. 30, 2007**

(51) **LOC (8) Cl.** **23-01**

(52) **U.S. Cl.** **D23/213**

(58) **Field of Classification Search** D23/213,
D23/223, 229–230; 239/282–283, 394, 462
See application file for complete search history.

(56) **References Cited**

U.S. PATENT DOCUMENTS

D357,972 S * 5/1995 Huen D23/223
D471,953 S * 3/2003 Colligan et al. D23/213

* cited by examiner

Primary Examiner—Robin V Webster

(74) *Attorney, Agent, or Firm*—Alan Kamrath; Kamrath & Associates PA

(57) **CLAIM**

The ornamental design for a shower head, as shown and described.

DESCRIPTION

FIG. 1 is a perspective view of a shower head showing my design;

FIG. 2 is a front view thereof;

FIG. 3 is a rear view thereof;

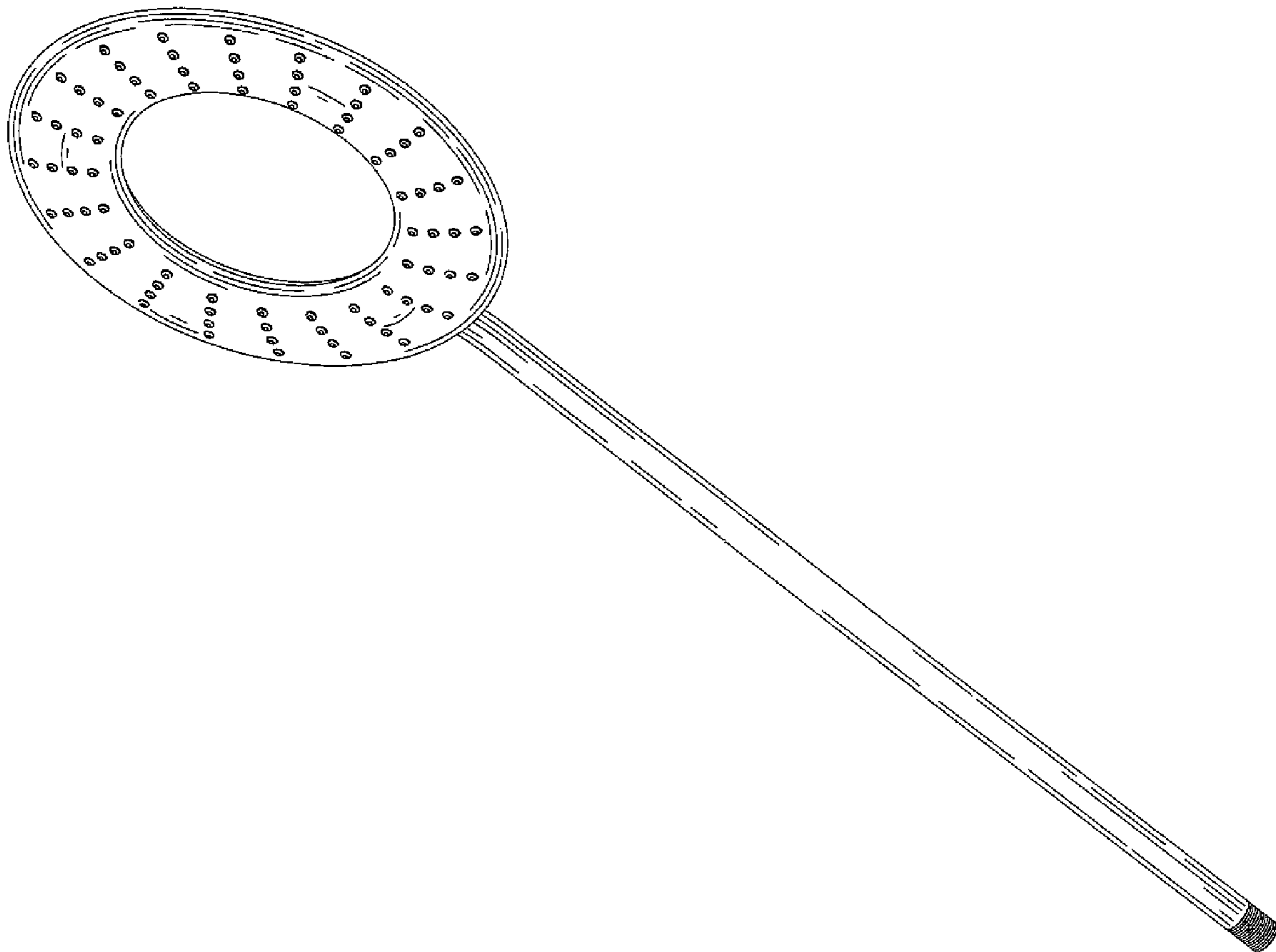
FIG. 4 is a left side view thereof;

FIG. 5 is a right side view thereof;

FIG. 6 is a top plan view thereof; and,

FIG. 7 is a bottom plan view thereof.

1 Claim, 4 Drawing Sheets



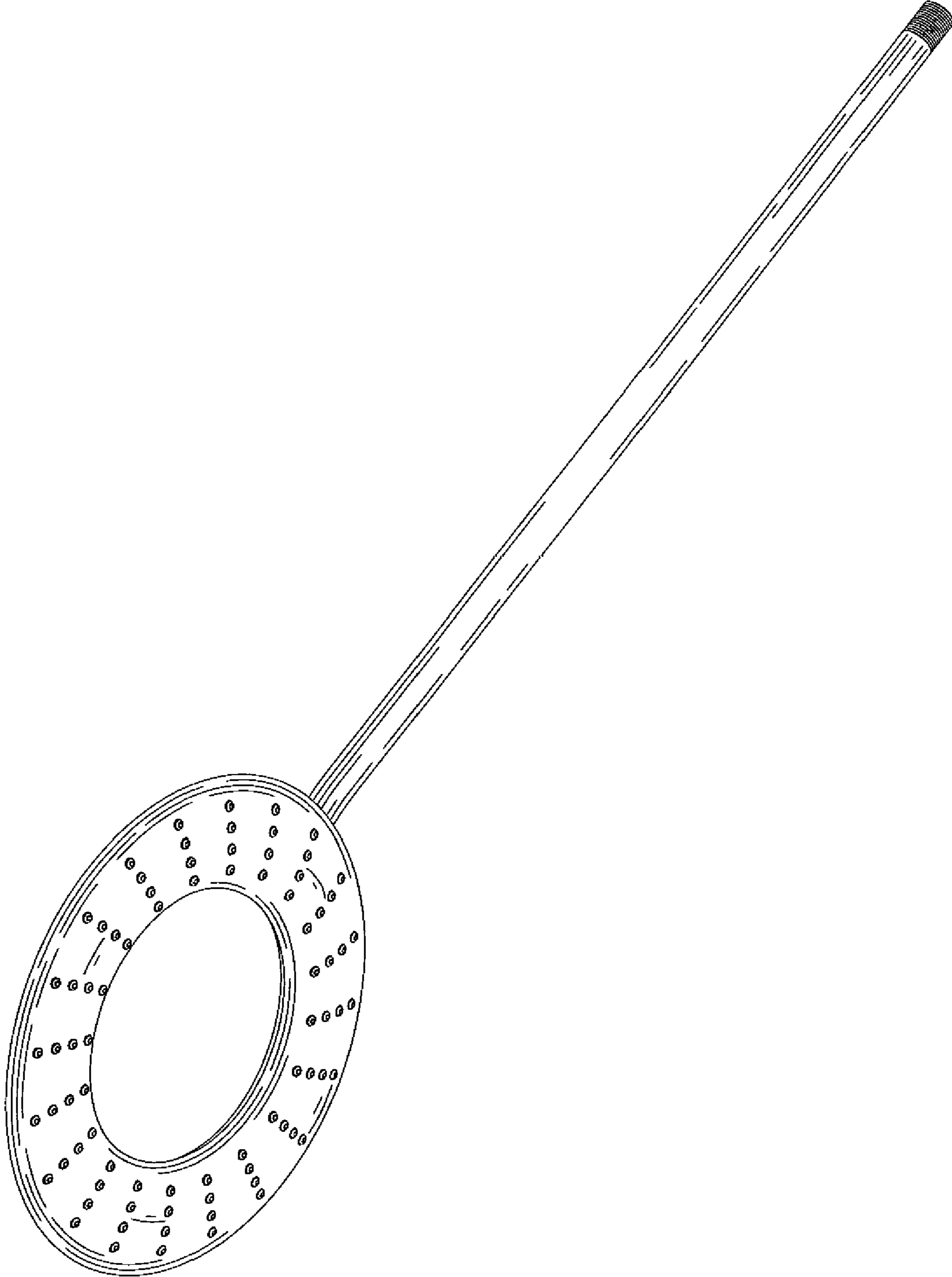


FIG. 1

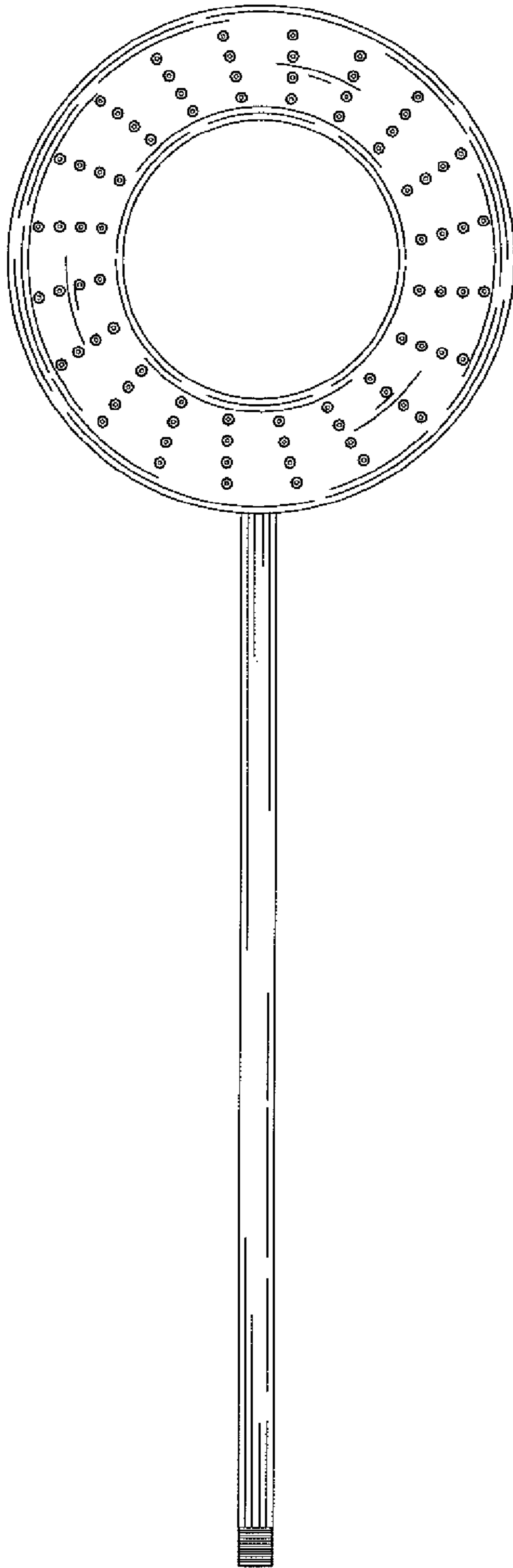


FIG. 2

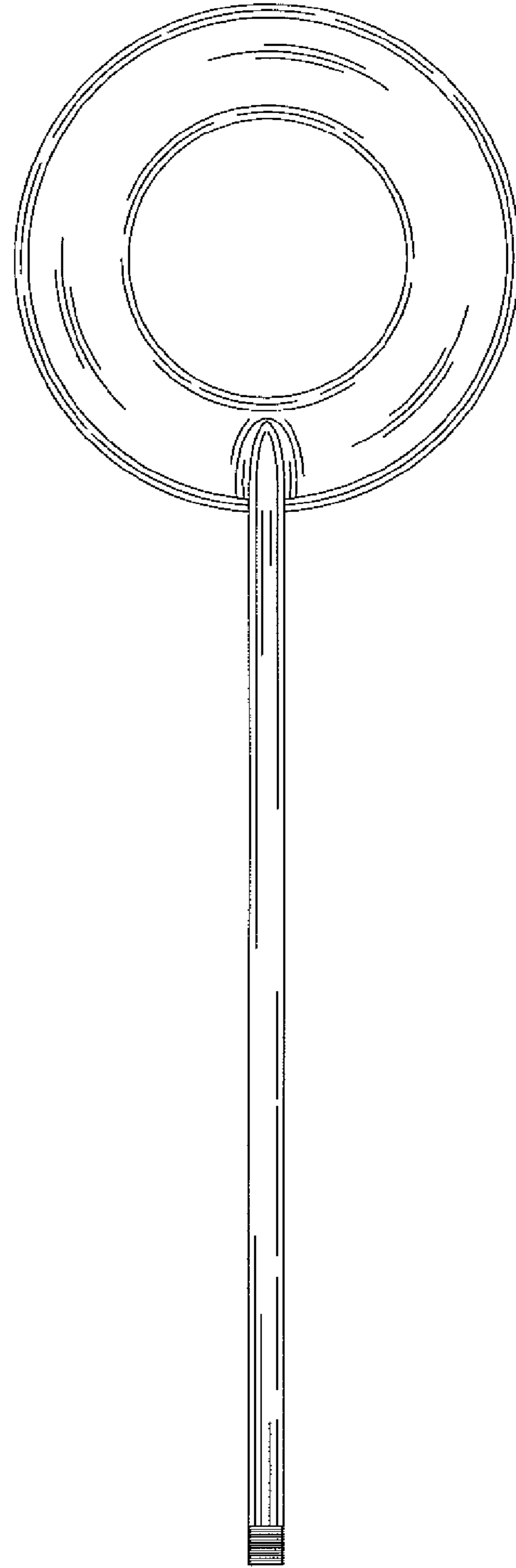


FIG. 3

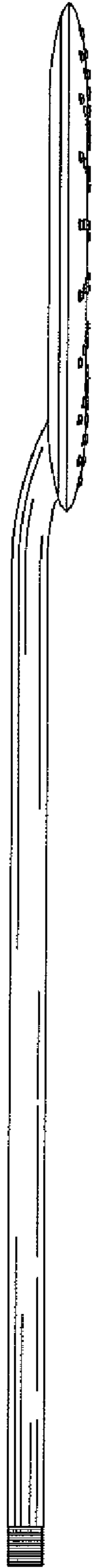


FIG. 4

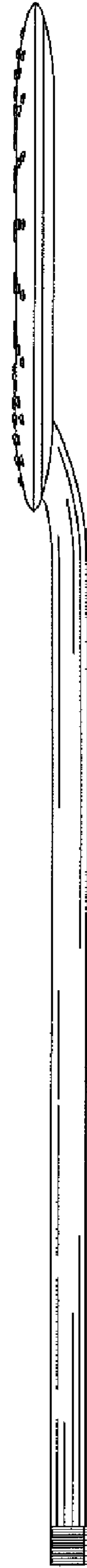


FIG. 5

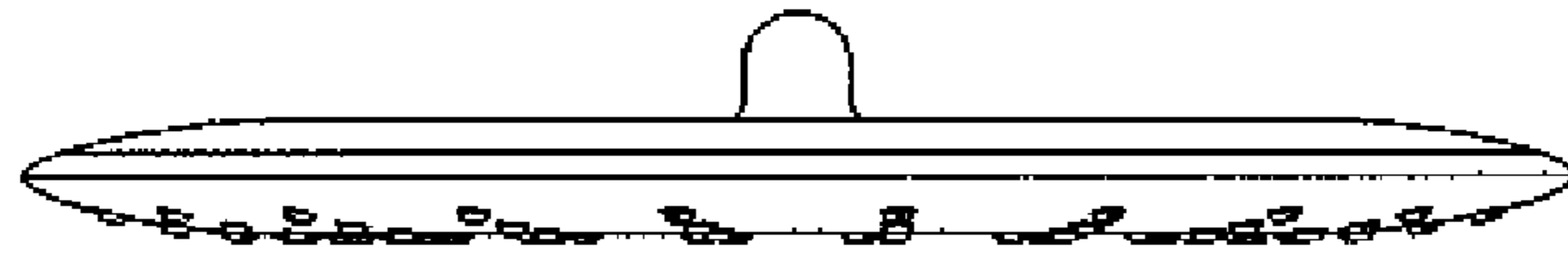


FIG. 6

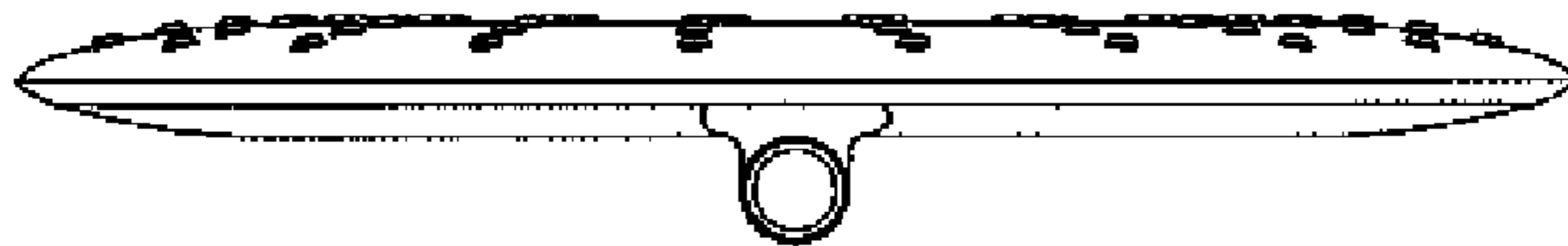


FIG. 7