



US00D580009S

(12) **United States Design Patent**  
**LeJeune**

(10) **Patent No.:** **US D580,009 S**  
(45) **Date of Patent:** **\*\* Nov. 4, 2008**

(54) **OIL AND GAS TUBULAR JOINT FILTER**

D555,226 S \* 11/2007 Leavitt et al. .... D23/209

(76) Inventor: **Robert J. LeJeune**, 108 St. Benjamin Dr., Lafayette, LA (US) 70506

\* cited by examiner

*Primary Examiner*—Robin V Webster

(74) *Attorney, Agent, or Firm*—Robert N. Montgomery

(\*\*) Term: **14 Years**

(21) Appl. No.: **29/301,042**

(57) **CLAIM**

(22) Filed: **Feb. 6, 2008**

The ornamental design for an oil and gas tubular joint filter, as shown and described.

(51) **LOC (8) Cl.** ..... **23-01**

**DESCRIPTION**

(52) **U.S. Cl.** ..... **D23/209**

(58) **Field of Classification Search** ..... D23/207,  
D23/209; 210/435, 440, 456, 460  
See application file for complete search history.

FIG. 1 is an isometric view of the filter;

FIG. 2 is a top view of the filter;

FIG. 3 is a vertical side view of the filter;

FIG. 4 is a bottom view of the filter; and,

FIG. 5 is cross-section view taken along sight lines 5—5 seen in FIG. 2.

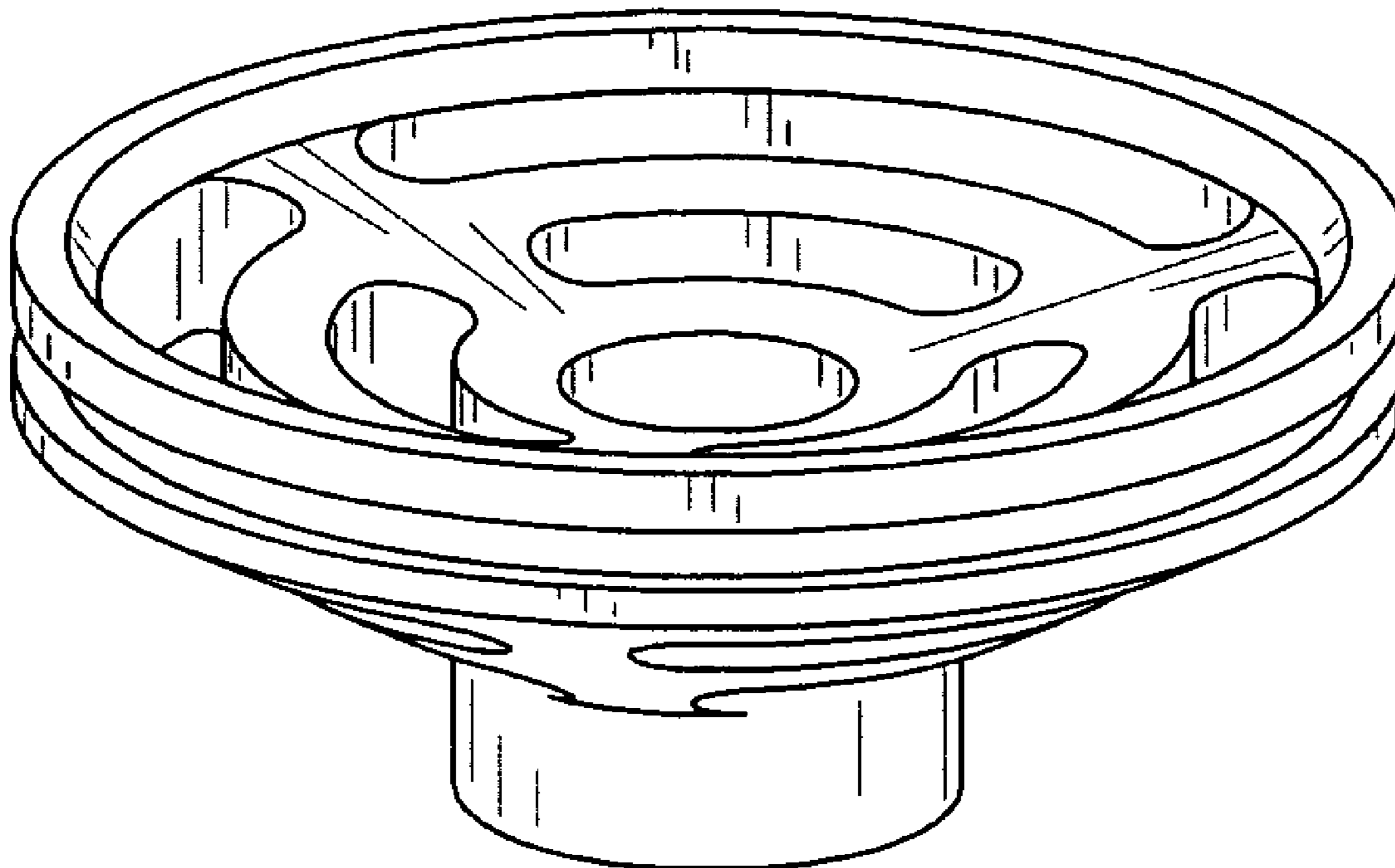
(56) **References Cited**

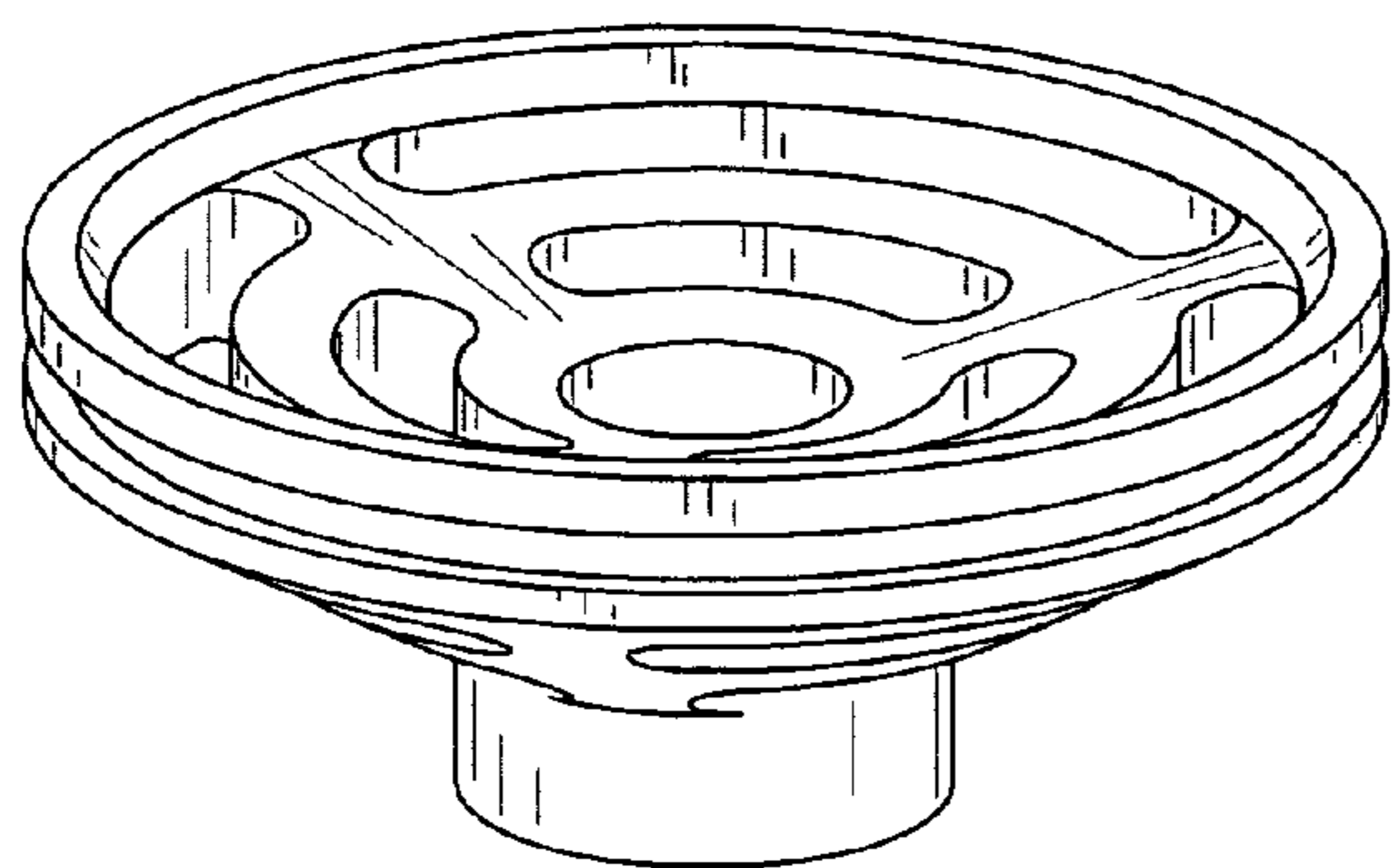
**U.S. PATENT DOCUMENTS**

4,444,661 A \* 4/1984 Jackson et al. .... 210/446

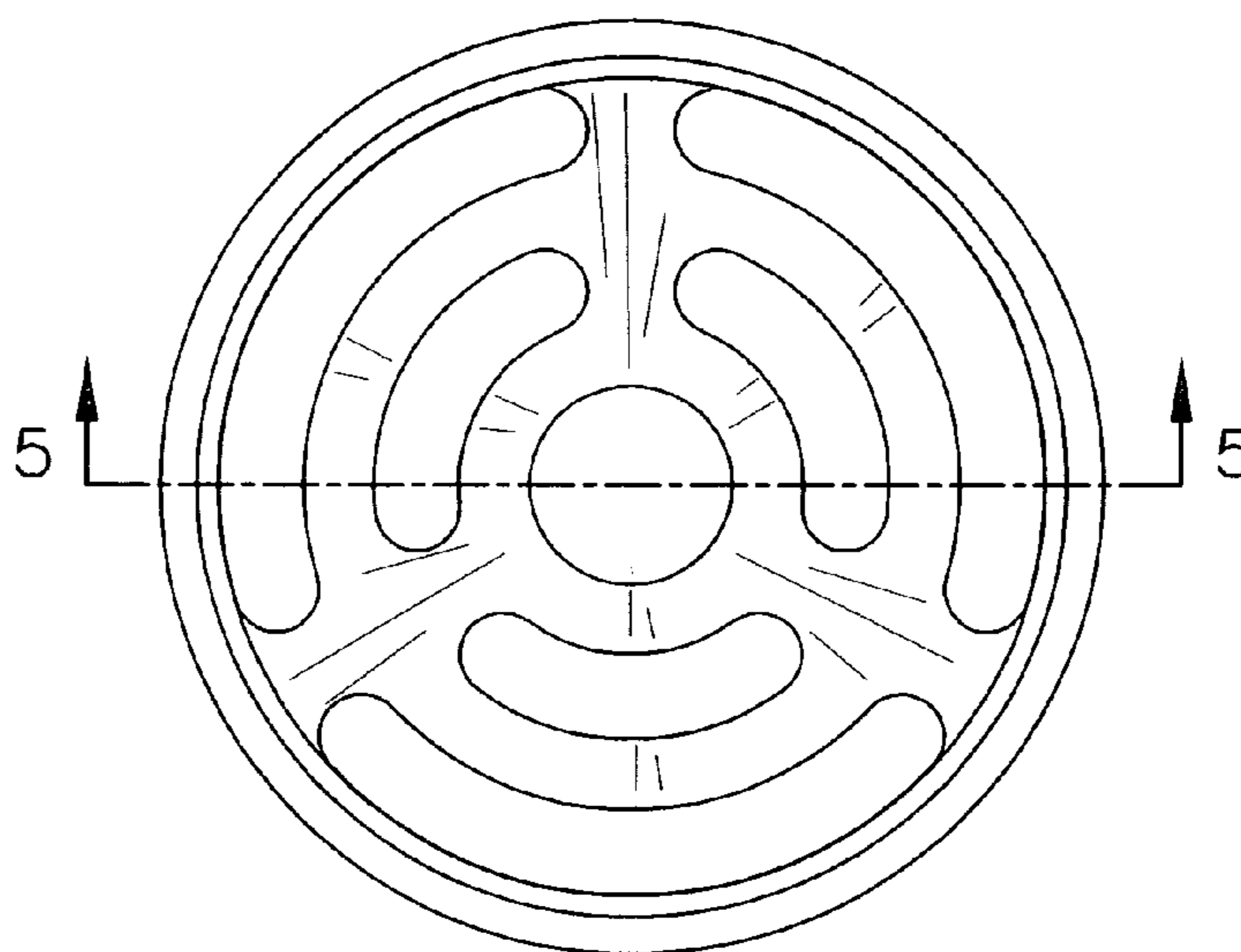
D369,850 S \* 5/1996 Cammack et al. .... D23/209

**1 Claim, 2 Drawing Sheets**

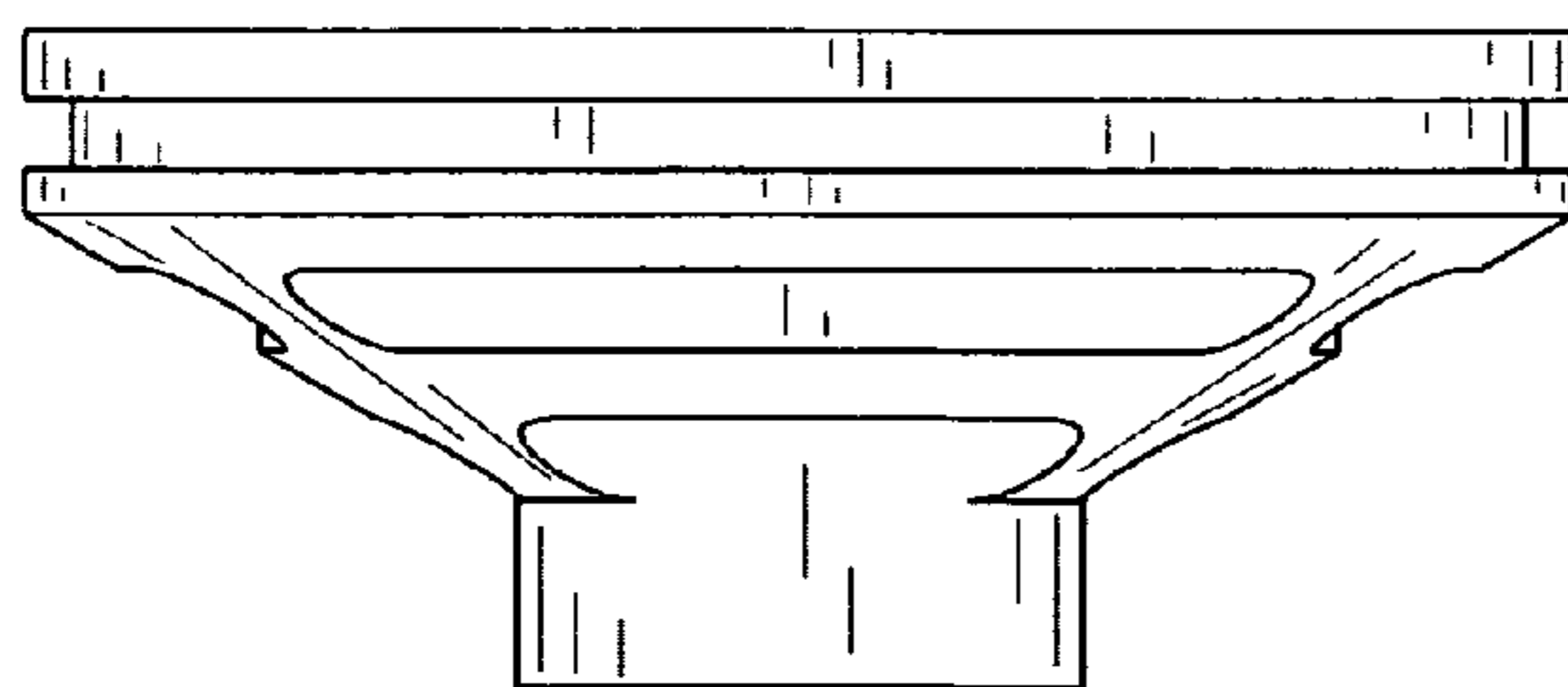




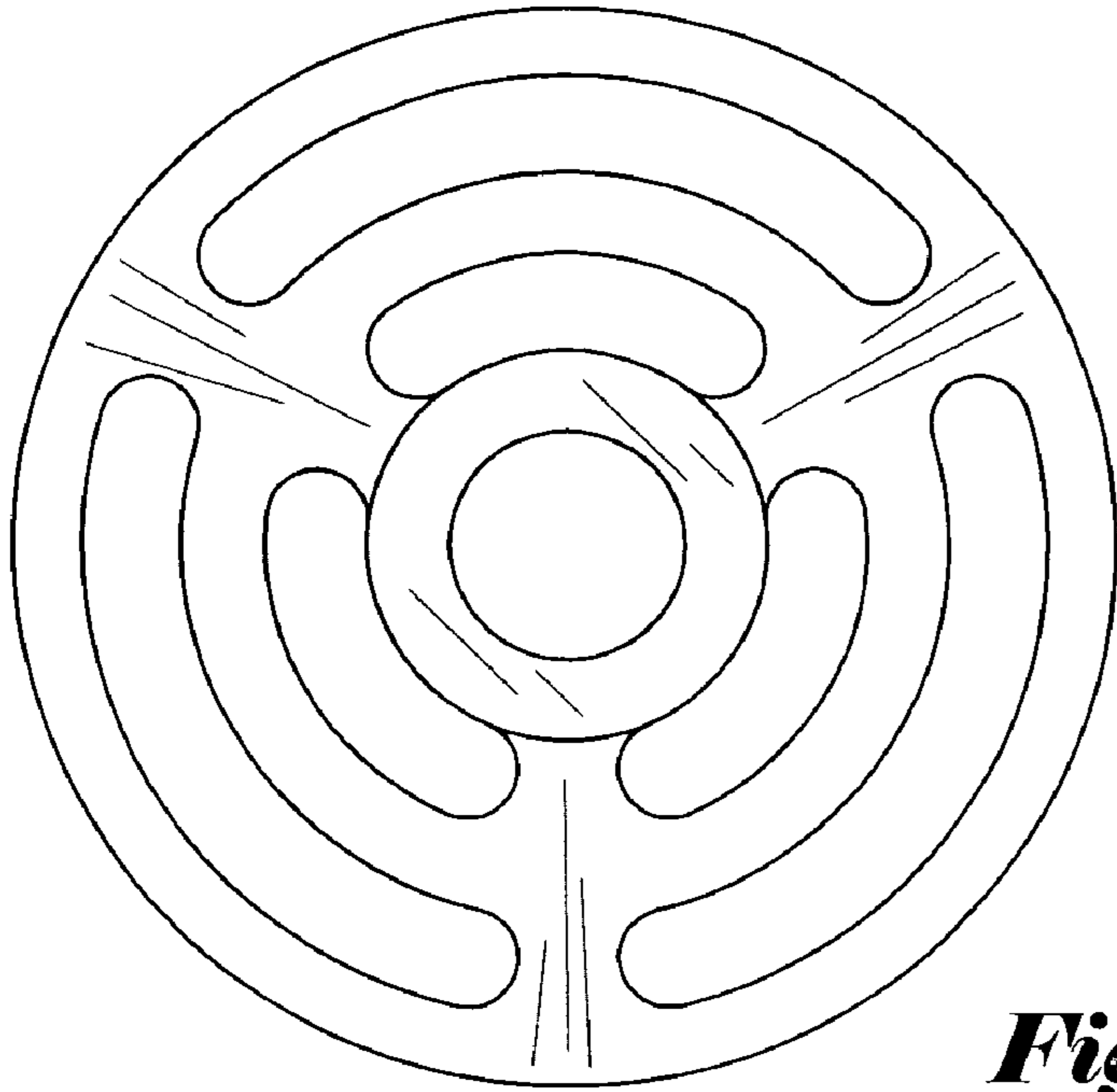
**Fig. 1**



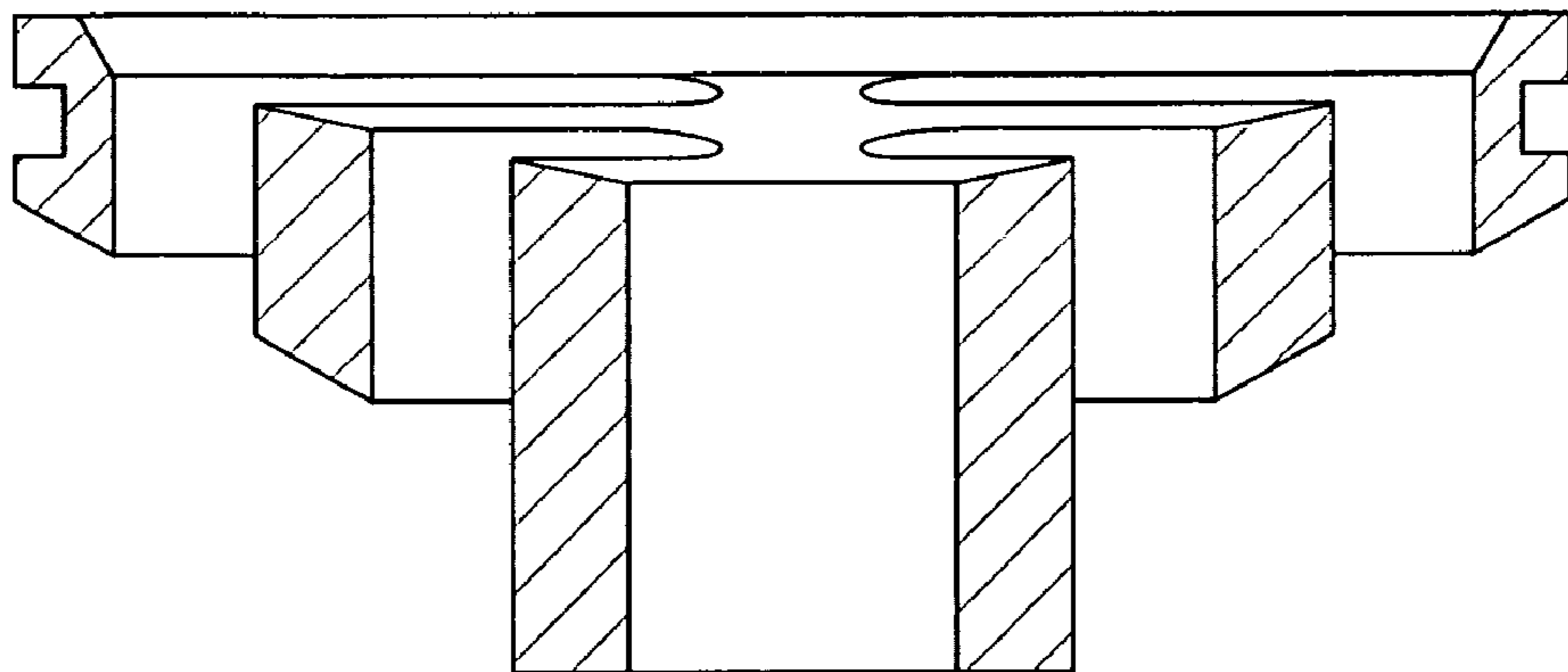
**Fig. 2**



**Fig. 3**



**Fig. 4**



**Fig. 5**