



US00D580001S

(12) **United States Design Patent**  
**McCabe**

(10) **Patent No.:** **US D580,001 S**  
(45) **Date of Patent:** **\*\* Nov. 4, 2008**

(54) **BALL MARK REPAIR TOOL**

(76) Inventor: **Terry McCabe**, 7403 Avenida De Palais,  
Carlsbad, CA (US) 92009

(\*\*) Term: **14 Years**

(21) Appl. No.: **29/282,929**

(22) Filed: **Aug. 1, 2007**

(51) **LOC (8) Cl.** ..... **21-02**

(52) **U.S. Cl.** ..... **D21/793**

(58) **Field of Classification Search** ..... D21/789,  
D21/793; 473/286, 408

See application file for complete search history.

(56) **References Cited**

U.S. PATENT DOCUMENTS

|                |         |              |       |         |
|----------------|---------|--------------|-------|---------|
| D356,358 S     | 3/1995  | Woodruff     | ..... | D21/234 |
| D406,297 S     | 3/1999  | Fazekas      | ..... | D21/793 |
| 6,004,229 A    | 12/1999 | Fazekas      | ..... | 473/406 |
| 6,224,502 B1 * | 5/2001  | Warfield     | ..... | 473/408 |
| D493,859 S *   | 8/2004  | Lee          | ..... | D21/793 |
| 6,994,639 B2 * | 2/2006  | Parks et al. | ..... | 473/408 |
| D526,378 S *   | 8/2006  | Blanks       | ..... | D21/793 |
| 7,238,126 B1 * | 7/2007  | Wiens et al. | ..... | 473/408 |

\* cited by examiner

*Primary Examiner*—Mitchell I Siegel

(74) *Attorney, Agent, or Firm*—Ostrolenk, Faber, Gerb &  
Soffen, LLP

(57) **CLAIM**

The ornamental design for ball mark repair tool, as shown and described.

**DESCRIPTION**

FIG. 1 is a left, front, perspective view of a first embodiment of a ball mark repair tool showing my new design;

FIG. 2 is a front view thereof;

FIG. 3 is a right side view thereof, the opposite side view thereof being a mirror image;

FIG. 4 is a rear view thereof, viewed from the right in FIG. 3;

FIG. 5 is a top view thereof;

FIG. 6 is a bottom view thereof;

FIG. 7 is a left, front, perspective view of a second embodiment thereof;

FIG. 8 is a front view thereof;

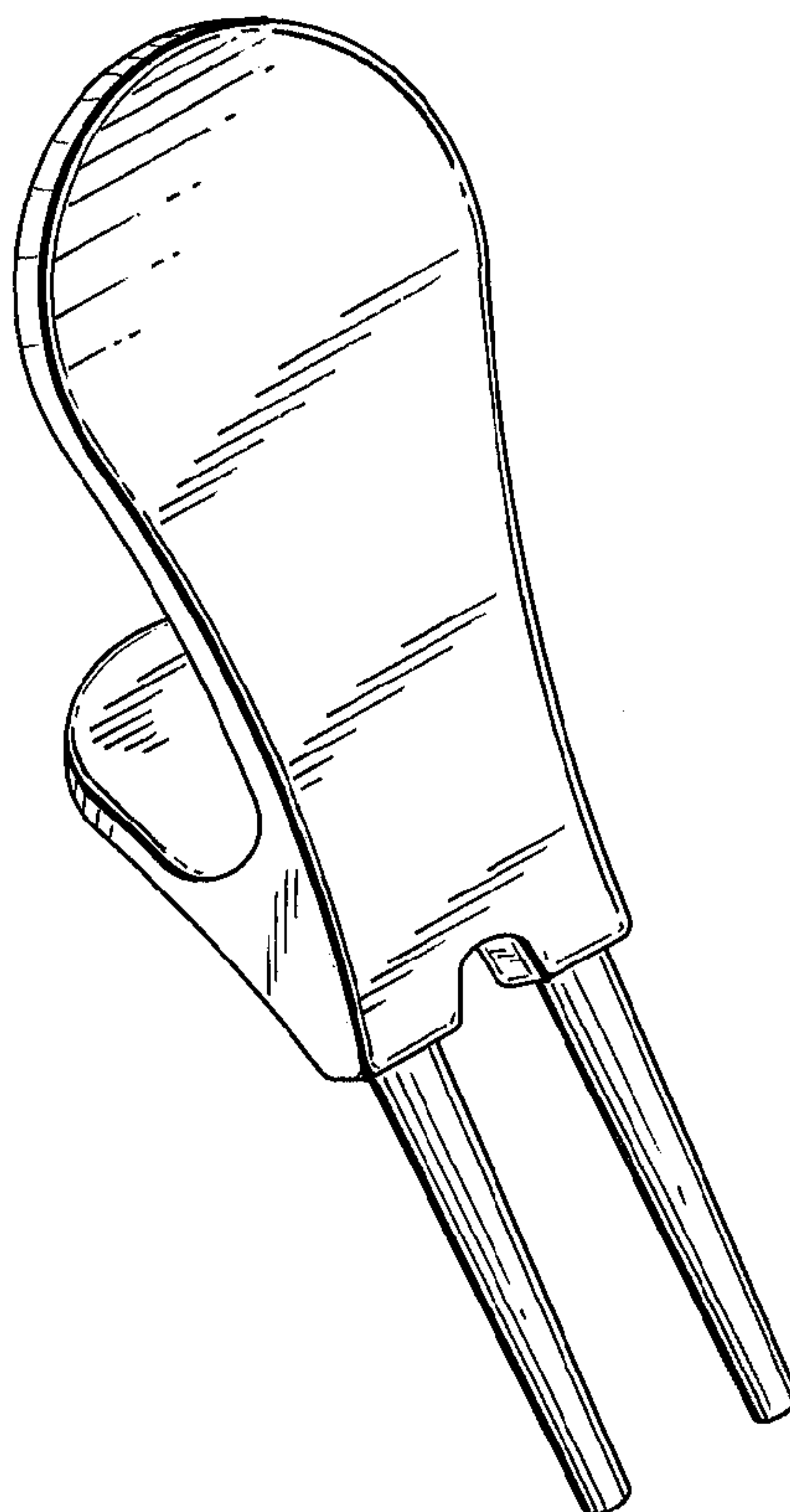
FIG. 9 is a right side view thereof, the opposite side view thereof being a mirror image;

FIG. 10 is a rear view thereof, viewed from the right in FIG. 9;

FIG. 11 is a top view thereof; and,

FIG. 12 is a bottom view thereof.

**1 Claim, 4 Drawing Sheets**



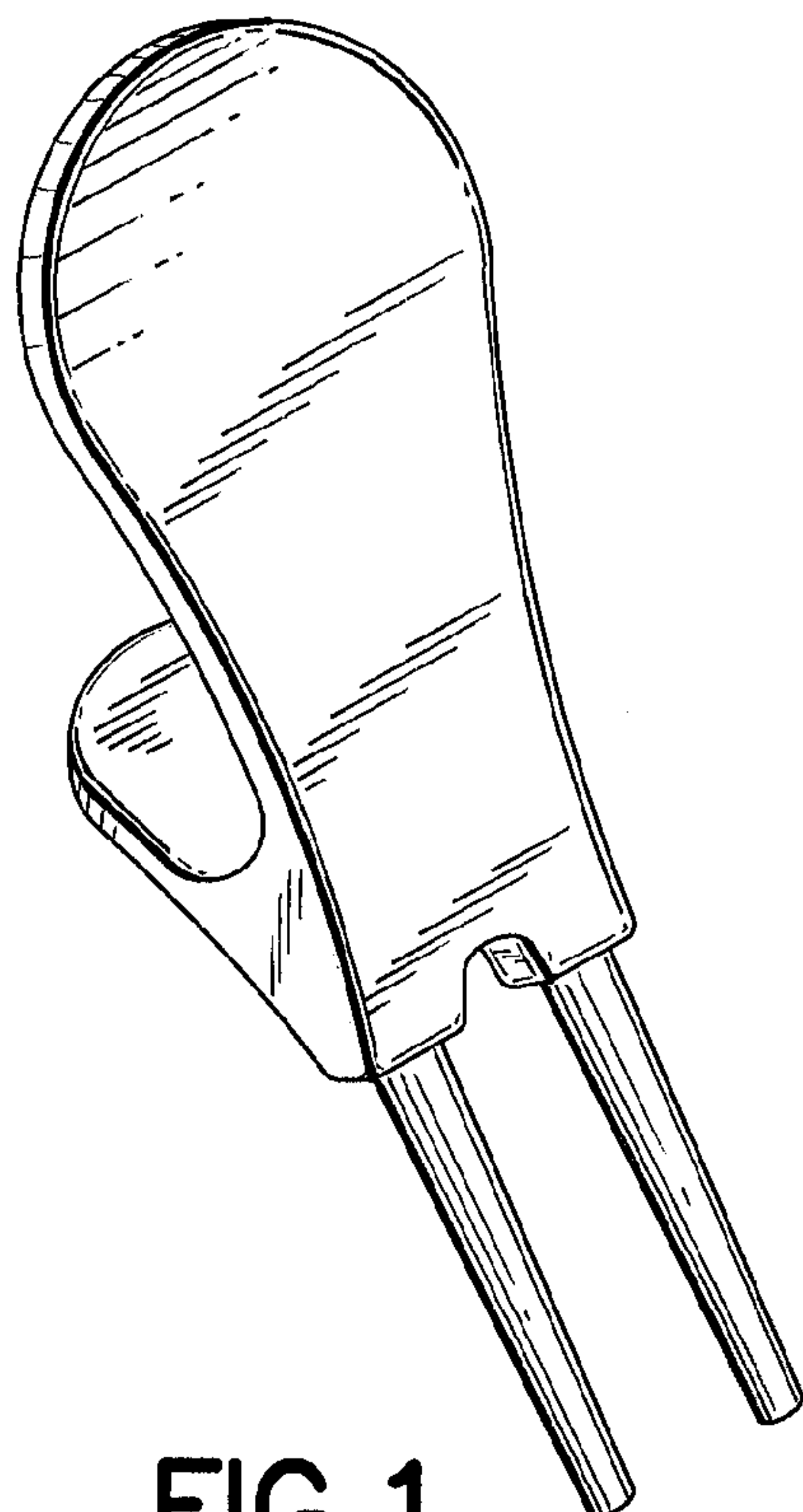


FIG. 1

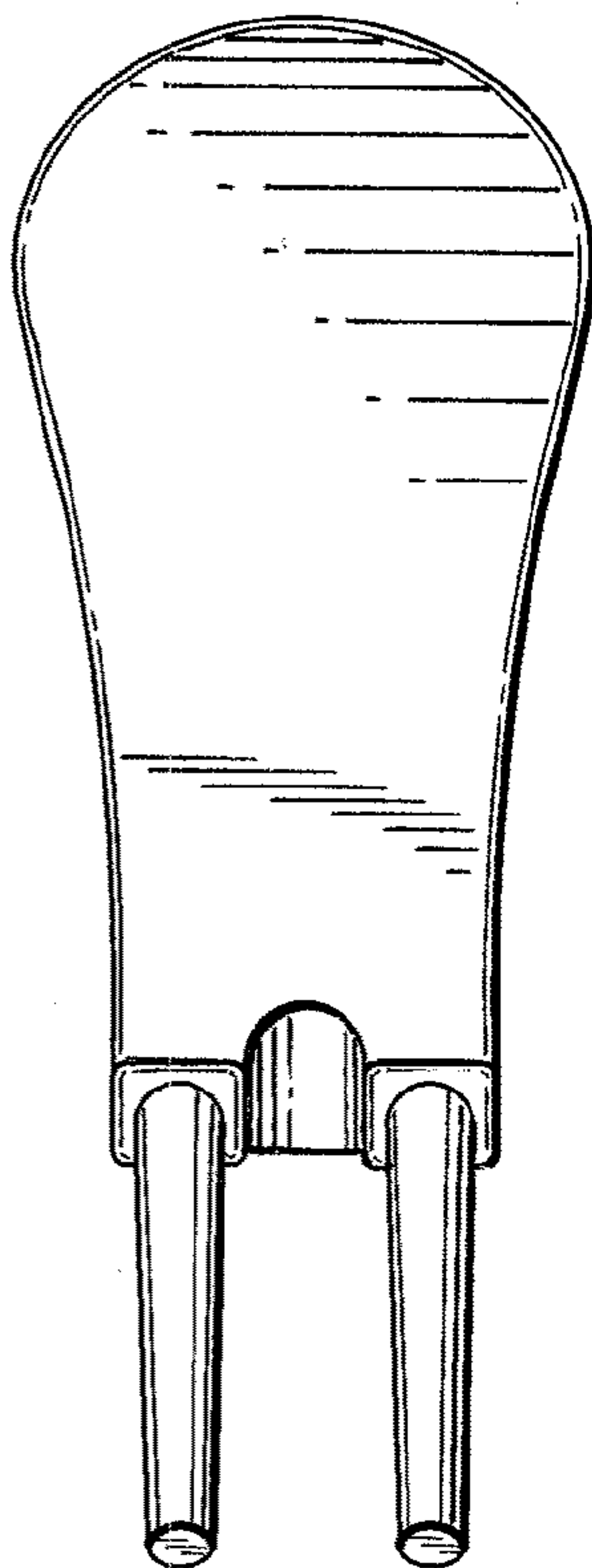


FIG. 2

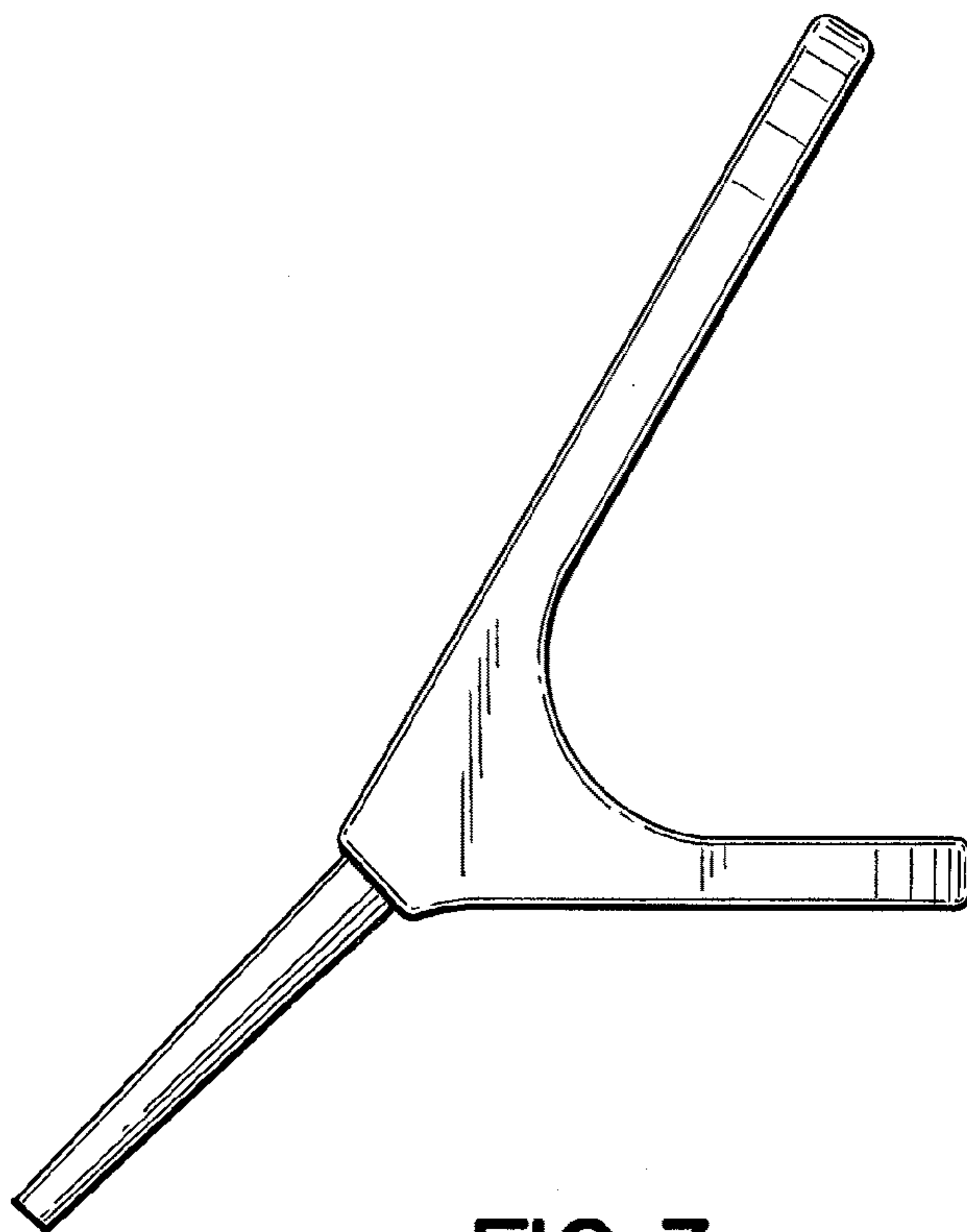


FIG. 3

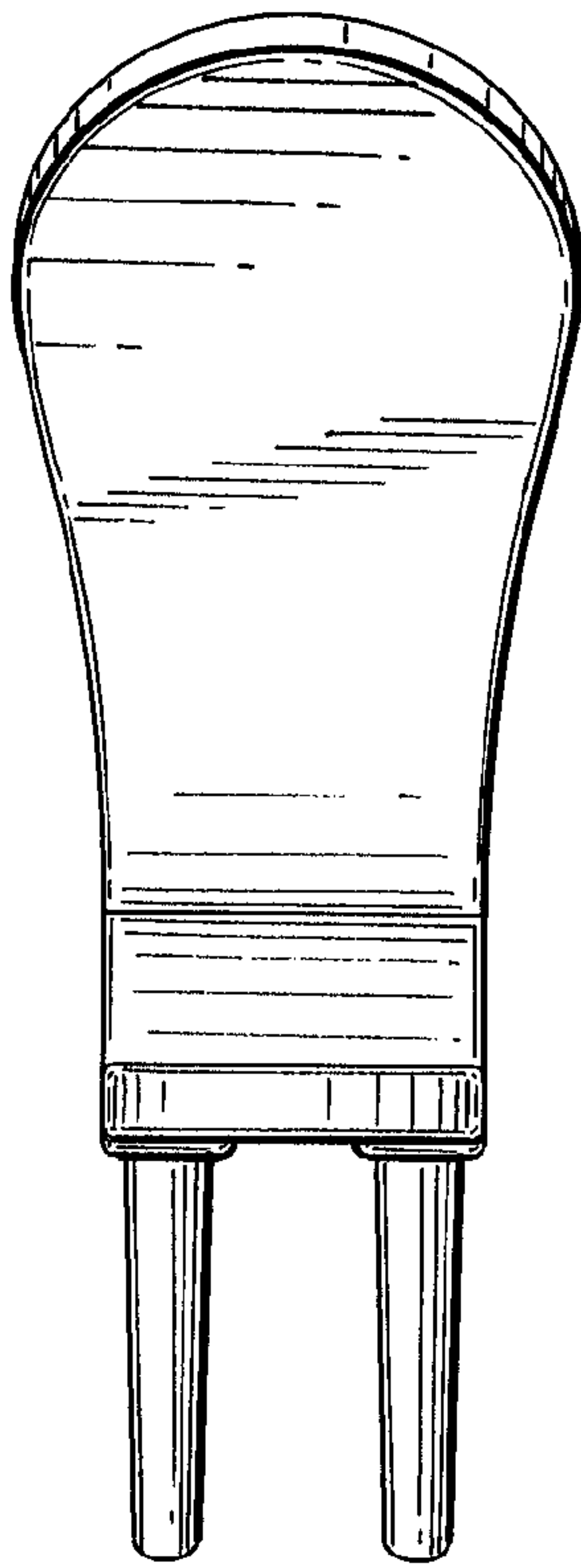


FIG. 4

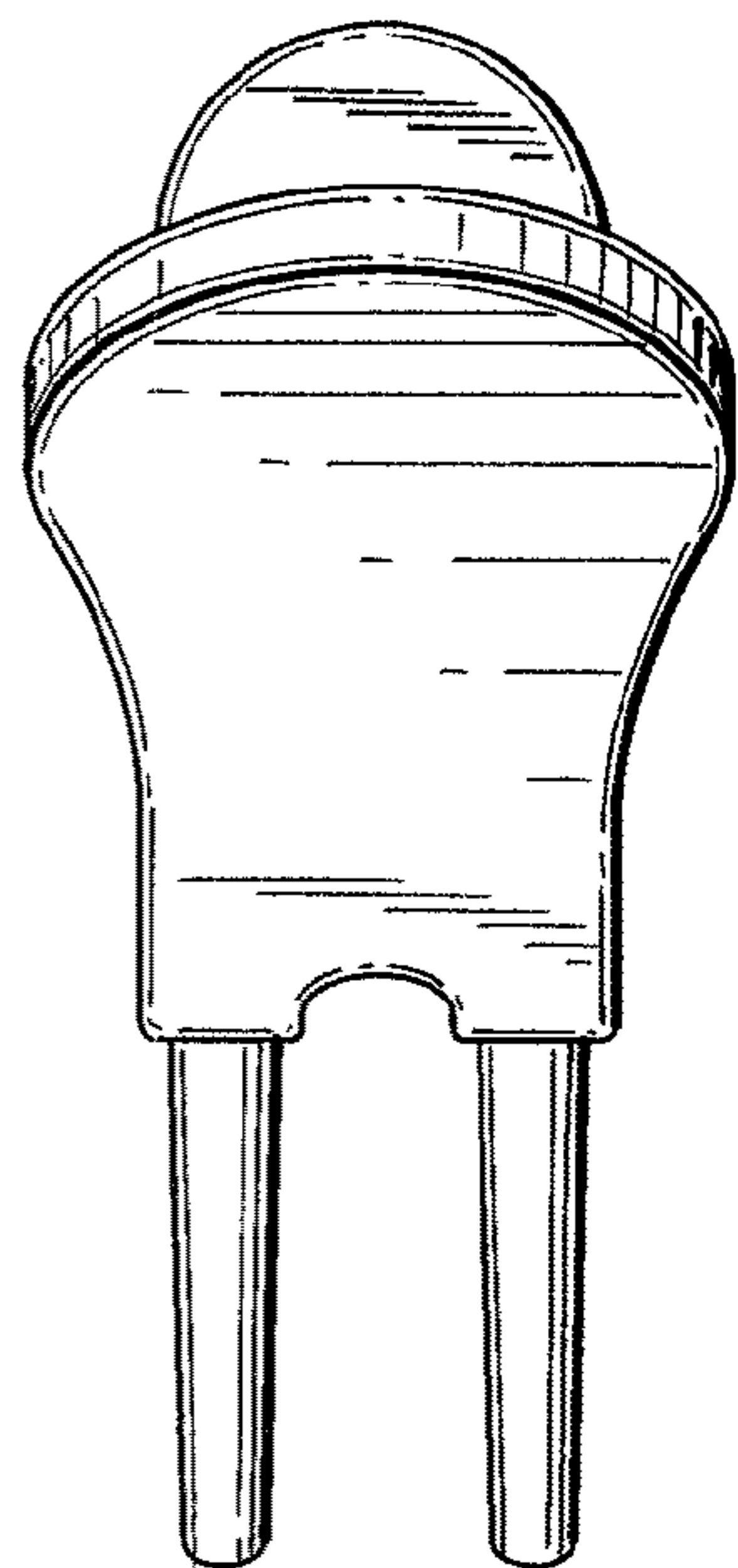


FIG. 5

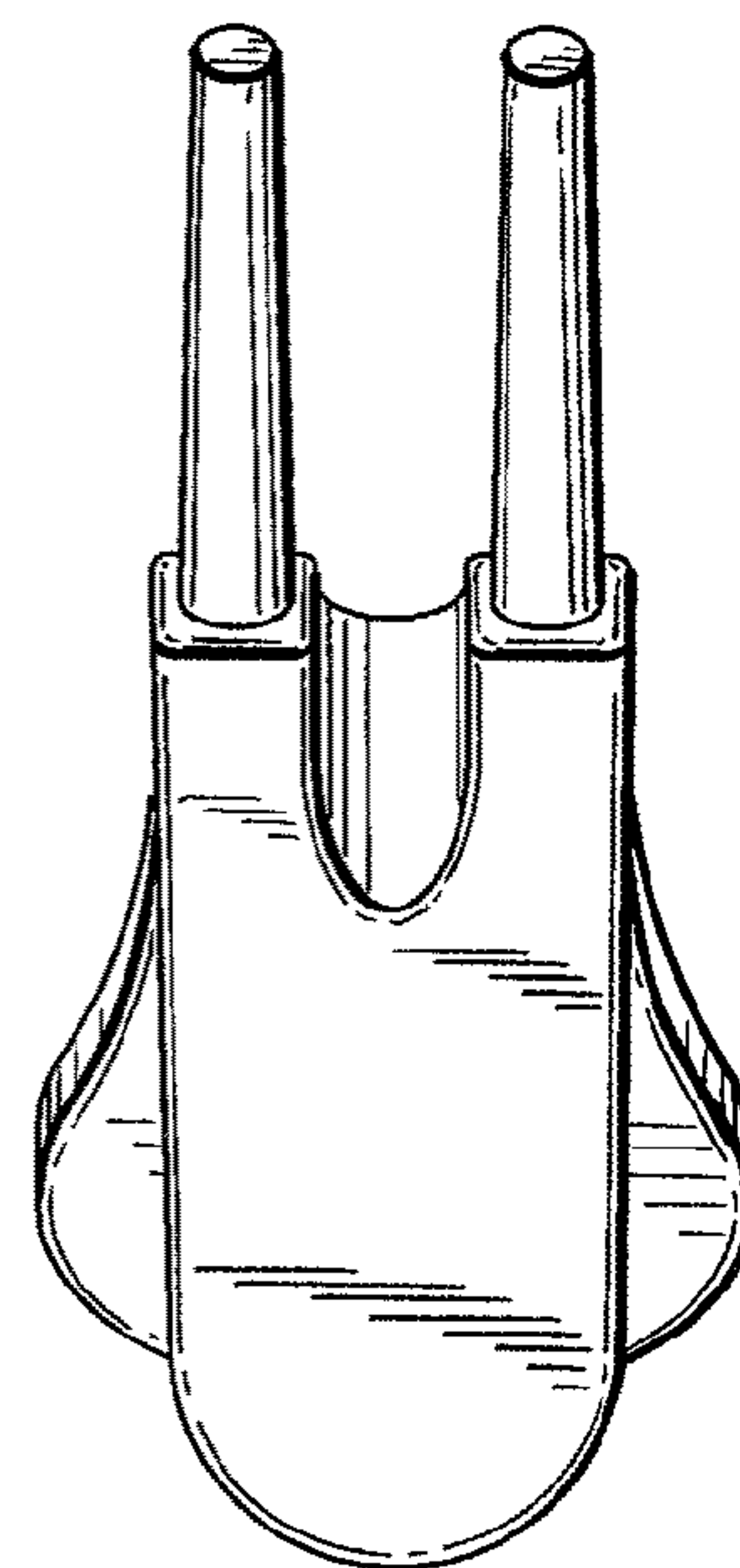


FIG. 6

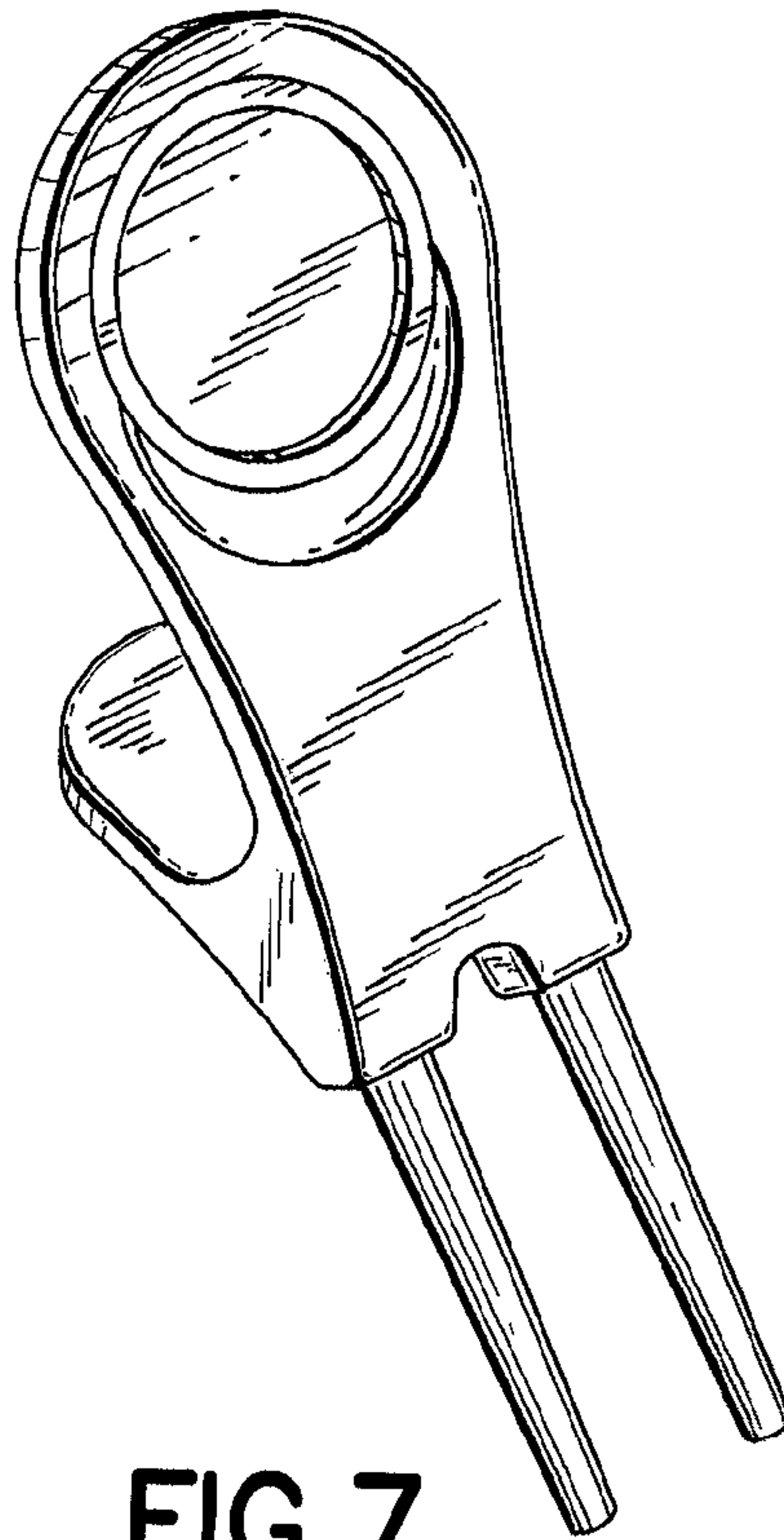


FIG. 7

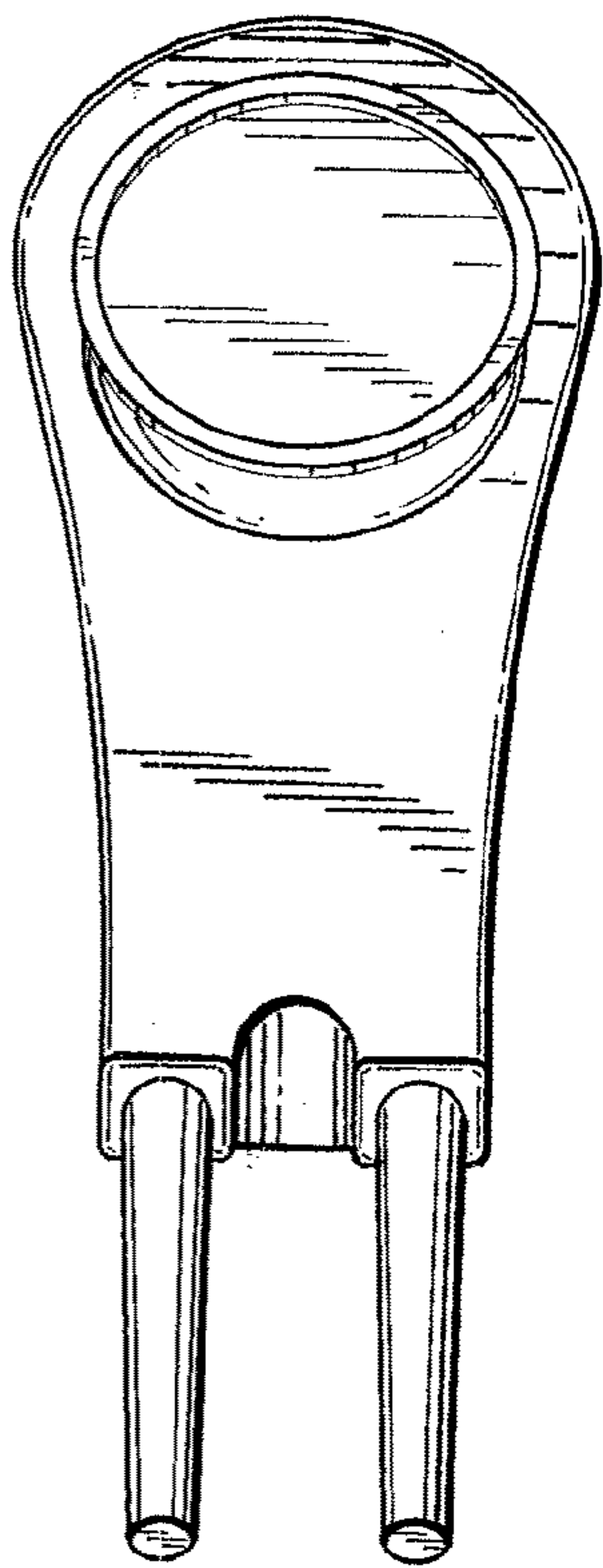


FIG. 8

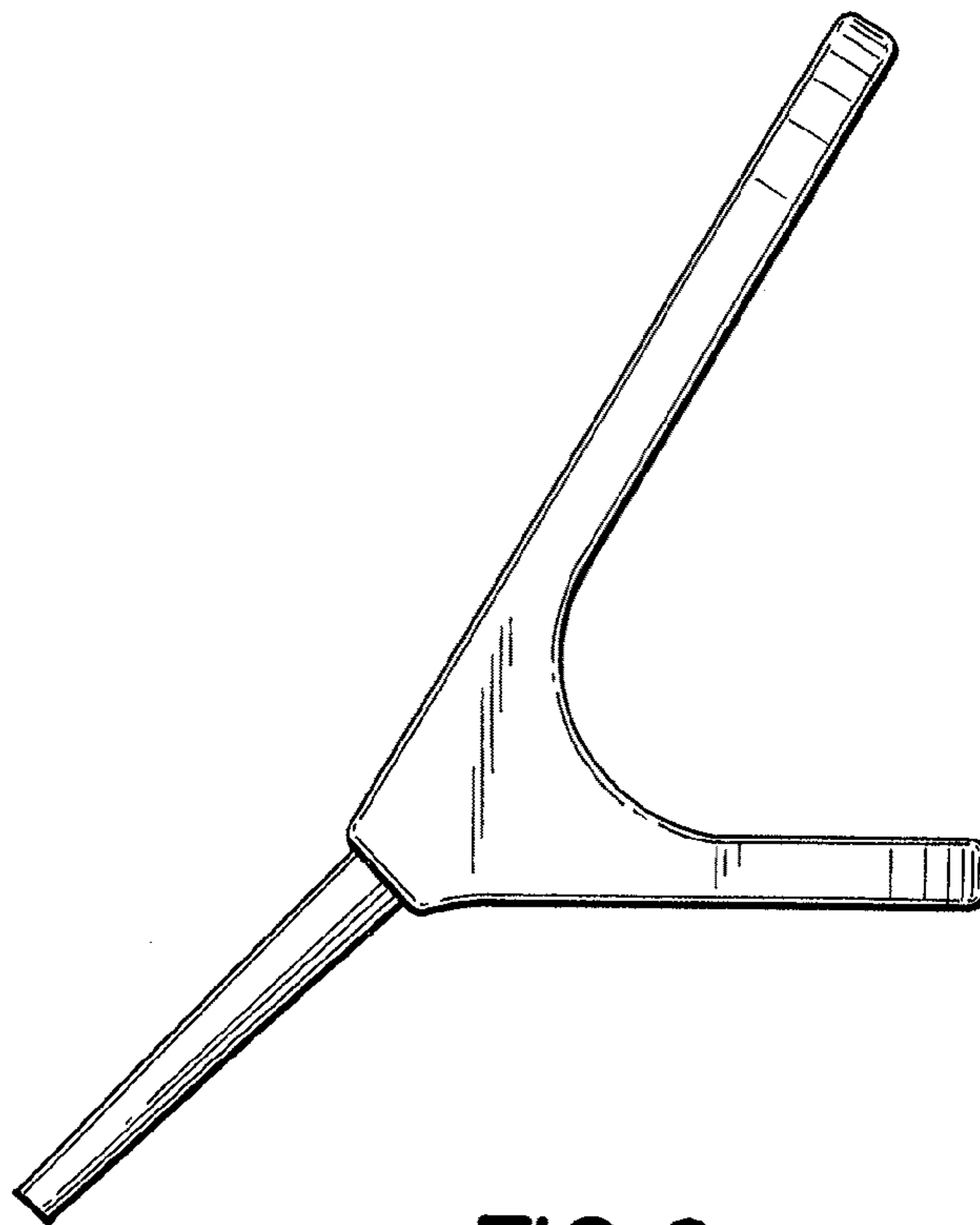


FIG. 9



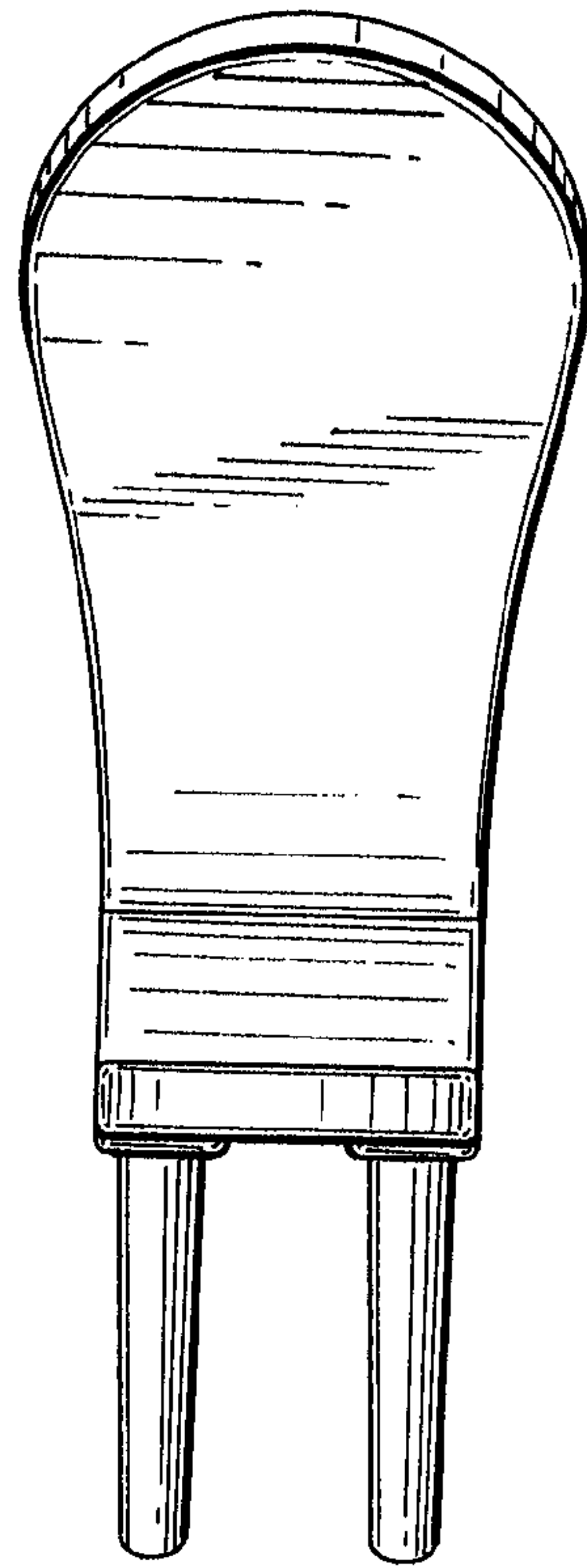


FIG. 10

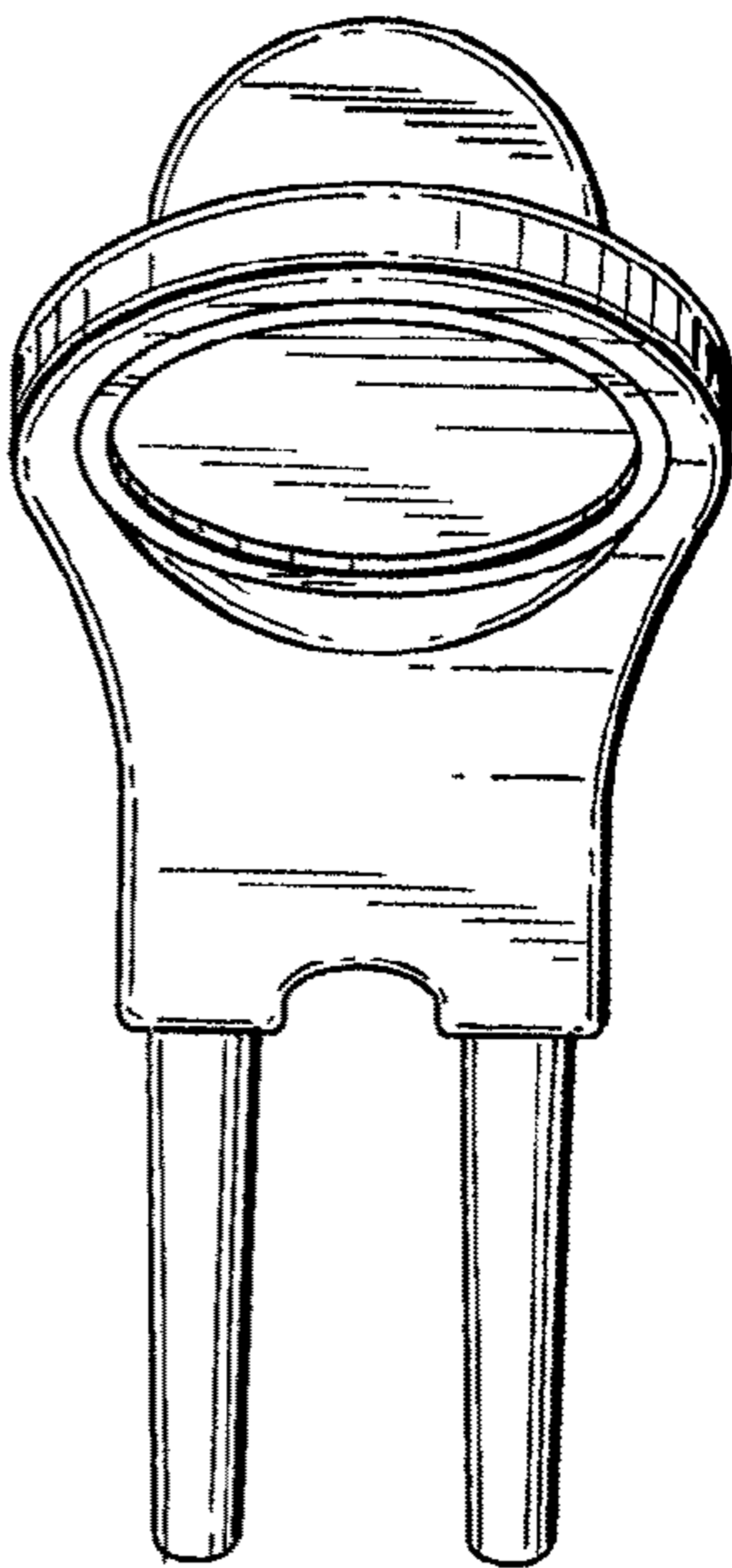


FIG. 11

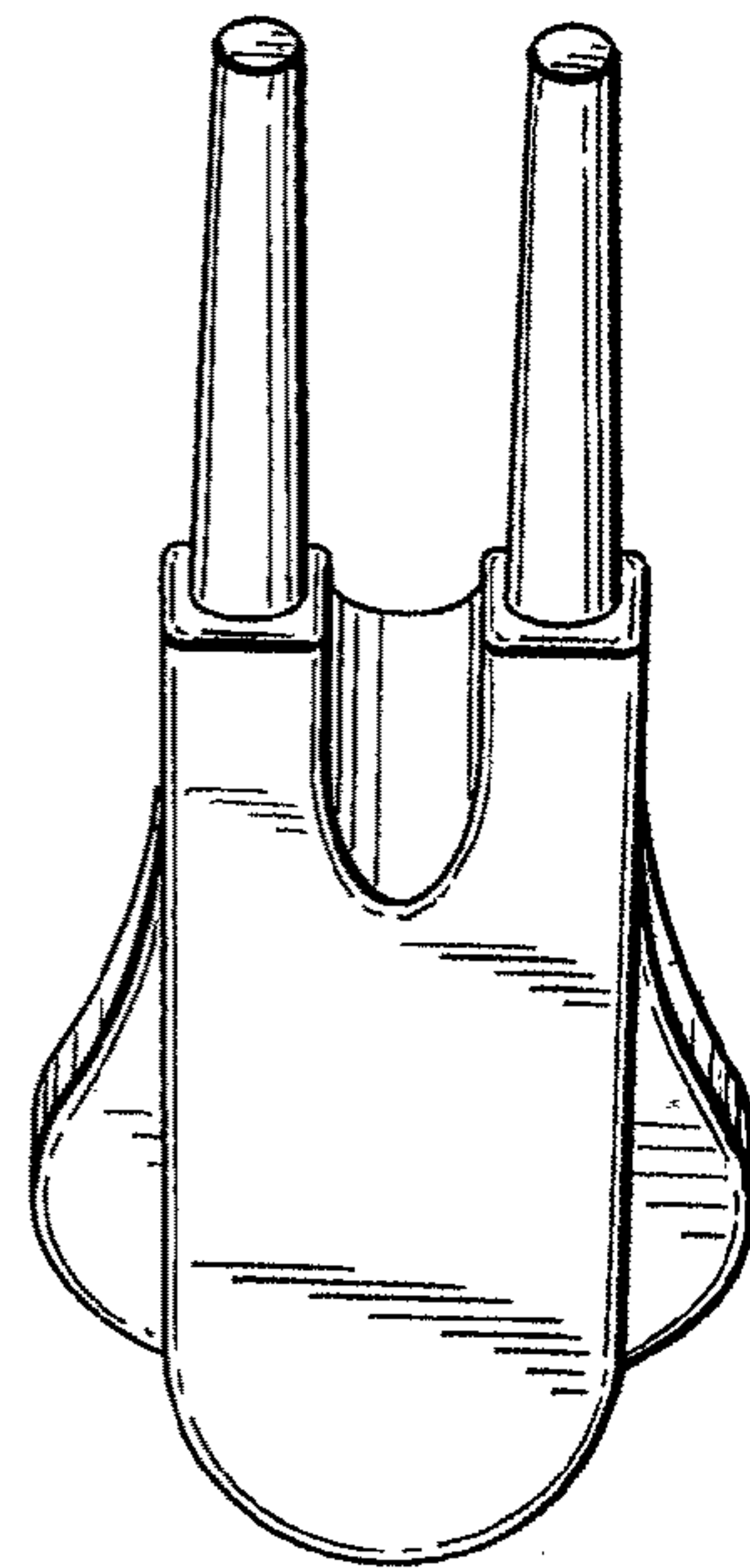


FIG. 12