



US00D579997S

(12) **United States Design Patent**
Jeanneau et al.

(10) **Patent No.:** **US D579,997 S**
(45) **Date of Patent:** **** Nov. 4, 2008**

(54) **HOCKEY STICK**
(75) Inventors: **Philippe Jeanneau**, Lachine (CA);
David McGibbon, Beaconsfield (CA);
Steve Davis, Newtown, PA (US)

(73) Assignee: **Reebok International Ltd.**, Canton,
MA (US)

(**) Term: **14 Years**

(21) Appl. No.: **29/296,970**

(22) Filed: **Oct. 31, 2007**

Related U.S. Application Data

(62) Division of application No. 29/247,863, filed on Jul.
17, 2006, now Pat. No. Des. 558,844.

(51) **LOC (8) Cl.** **21-02**

(52) **U.S. Cl.** **D21/753; D21/727**

(58) **Field of Classification Search** **D21/727,**
D21/757; 473/560-563; 273/108.5
See application file for complete search history.

(56) **References Cited**

U.S. PATENT DOCUMENTS

D237,636	S *	11/1975	Leclere	D21/727
4,086,115	A	4/1978	Sweet et al.		
D344,559	S *	2/1994	Ilacqua et al.	D21/727
D360,443	S *	7/1995	Berghash	D21/727
D380,027	S *	6/1997	Ferguson	D21/727
D399,544	S	10/1998	Liu		
5,863,268	A	1/1999	Birch		
D418,182	S	12/1999	Krist		
D430,249	S *	8/2000	Burger	D21/757
D431,273	S *	9/2000	Burger	D21/757

6,364,792	B1	4/2002	Evanochko		
D458,329	S *	6/2002	Clark et al.	D21/757
D476,049	S *	6/2003	Sultenta	D21/757
D504,166	S *	4/2005	Bellefleur et al.	D21/757
D504,929	S *	5/2005	Bellefleur et al.	D21/757
7,201,682	B2	4/2007	Tucker et al.		
2005/0153798	A1	7/2005	Rigoli		
2007/0270253	A1	11/2007	Davis		
2007/0272799	A1	11/2007	Davis		
2007/0275800	A1	11/2007	Davis		

OTHER PUBLICATIONS

U.S. Appl. No. 11/183,585, filed Jul. 18, 2005, Davis.
U.S. Appl. No. 11/509,999, filed Aug. 26, 2006, Davis.
U.S. Appl. No. 11/524,990, filed Sep. 20, 2006, Davis.

* cited by examiner

Primary Examiner—Mitchell I Siegel

(74) *Attorney, Agent, or Firm*—Sterne, Kessler, Goldstein &
Fox P.L.L.C.

(57) **CLAIM**

The ornamental design for a hockey stick, substantially as
shown and described.

DESCRIPTION

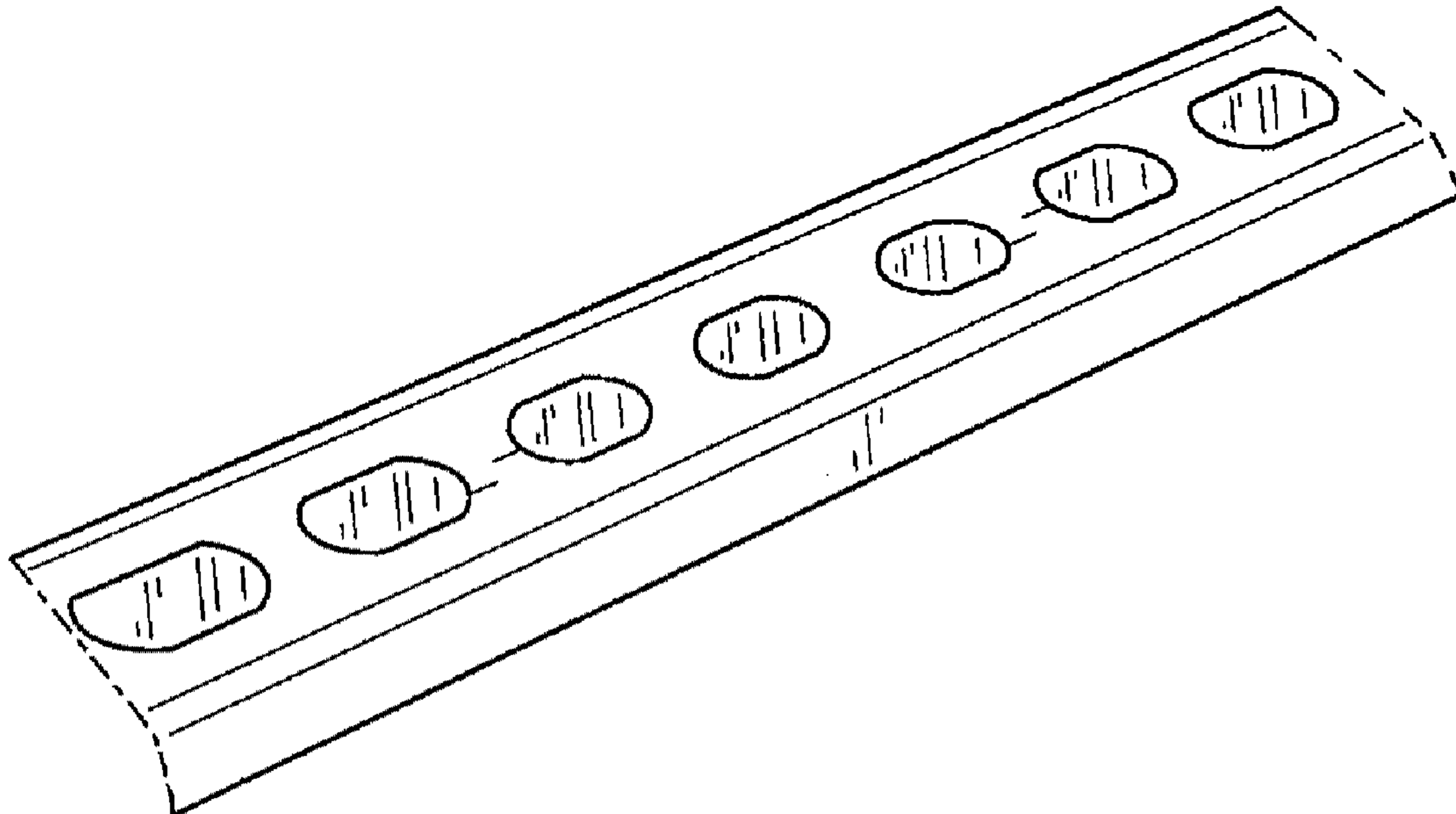
FIG. 1 is a perspective view of a hockey stick in accordance
with the present invention;

FIG. 2 is a side view of FIG. 1. The opposite side is a mirror
image; and,

FIG. 3 is another side view thereof.

The broken lines(s) which define the bounds of the claimed
design form no part thereof.

1 Claim, 1 Drawing Sheet



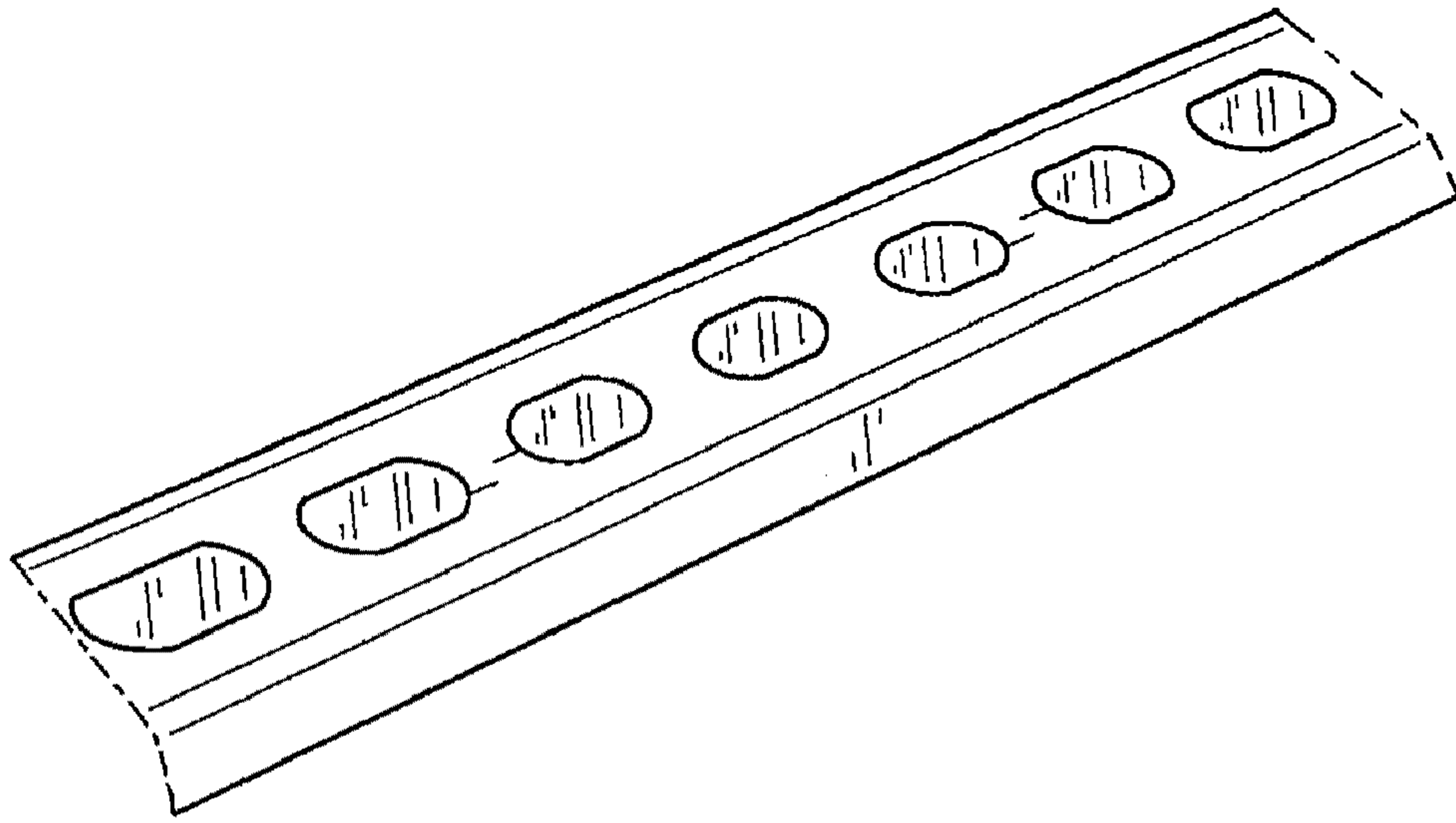


FIG. 1

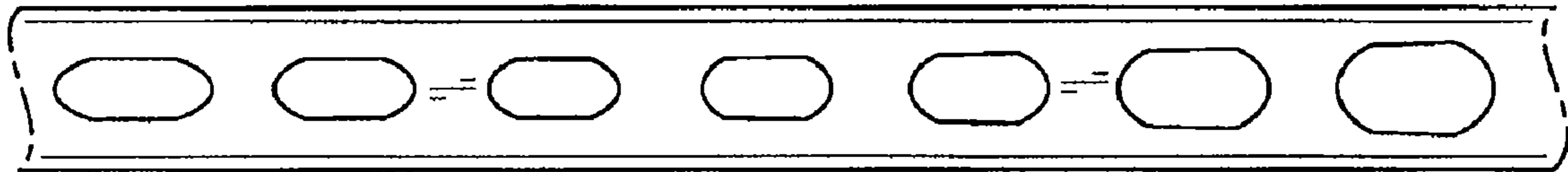


FIG. 2

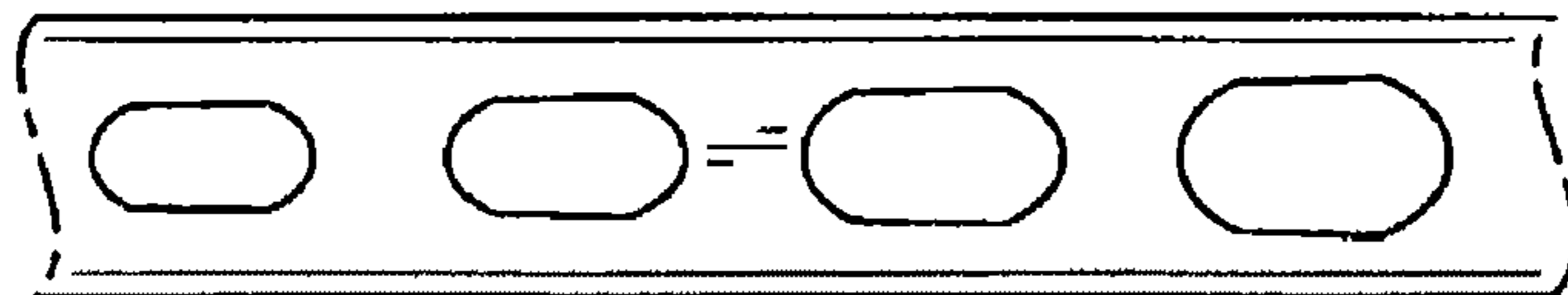


FIG. 3