



US00D579993S

(12) **United States Design Patent**
Fairchild et al.

(10) **Patent No.:** **US D579,993 S**
(45) **Date of Patent:** **** Nov. 4, 2008**

(54) **ICE HOCKEY PUCK**

(76) Inventors: **Anthony L. Fairchild**, 2700 W. 3rd St.,
Coal Valley, IL (US) 61240; **Hugo**
Proulx, 2915 Des Grands Ducs,
Drummondville, Québec (CA) J2C 7N2

(**) Term: **14 Years**

(21) Appl. No.: **29/293,702**

(22) Filed: **Dec. 7, 2007**

(51) **LOC (8) Cl.** **21-02**

(52) **U.S. Cl.** **D21/710**

(58) **Field of Classification Search** D21/710;
D26/51, 57, 94, 104; D11/81, 157; D9/668;
D19/97; D3/271.9; 473/446, 471, 569-571,
473/588, 589, 594, 595; 362/253, 109, 154
See application file for complete search history.

(56) **References Cited**

U.S. PATENT DOCUMENTS

3,102,727	A *	9/1963	Rice	473/570
4,183,536	A *	1/1980	Platt	473/570
4,846,475	A *	7/1989	Newcomb et al.	473/570
5,346,214	A *	9/1994	Bruhm	473/588
D367,902	S *	3/1996	Silk	D21/710
5,707,308	A *	1/1998	Liu	473/588
5,839,977	A *	11/1998	Maurer et al.	473/446
D402,720	S *	12/1998	Bellehumeur	D21/710
D421,762	S *	3/2000	Shirley et al.	D16/227
D431,114	S *	9/2000	Smith et al.	D6/309

6,154,250	A *	11/2000	Honey et al.	348/157
6,973,747	B2 *	12/2005	Ratmansky et al.	40/327
D515,154	S *	2/2006	Coleman et al.	D21/710
2004/0007484	A1 *	1/2004	Donofrio, Jr.	206/315.1
2005/0025907	A1 *	2/2005	Stepka	428/14

* cited by examiner

Primary Examiner—Catherine Tuttle

(74) *Attorney, Agent, or Firm*—Hamilton IP Law, PC; Jay R. Hamilton; Charles A. Damschen

(57) **CLAIM**

We claim the ornamental design for an ice hockey puck, as shown and described.

DESCRIPTION

U.S. Utility Patent Application No. 11,638,948 filed Dec. 14, 2006 and U.S. Design Patent Application No. 29,270,493 filed on Dec. 21, 2006.

FIG. 1 is a perspective view of an ice hockey puck showing our new design;

FIG. 2 is a side elevational view thereof;

FIG. 3 is an elevational view of the opposite side of FIG. 2;

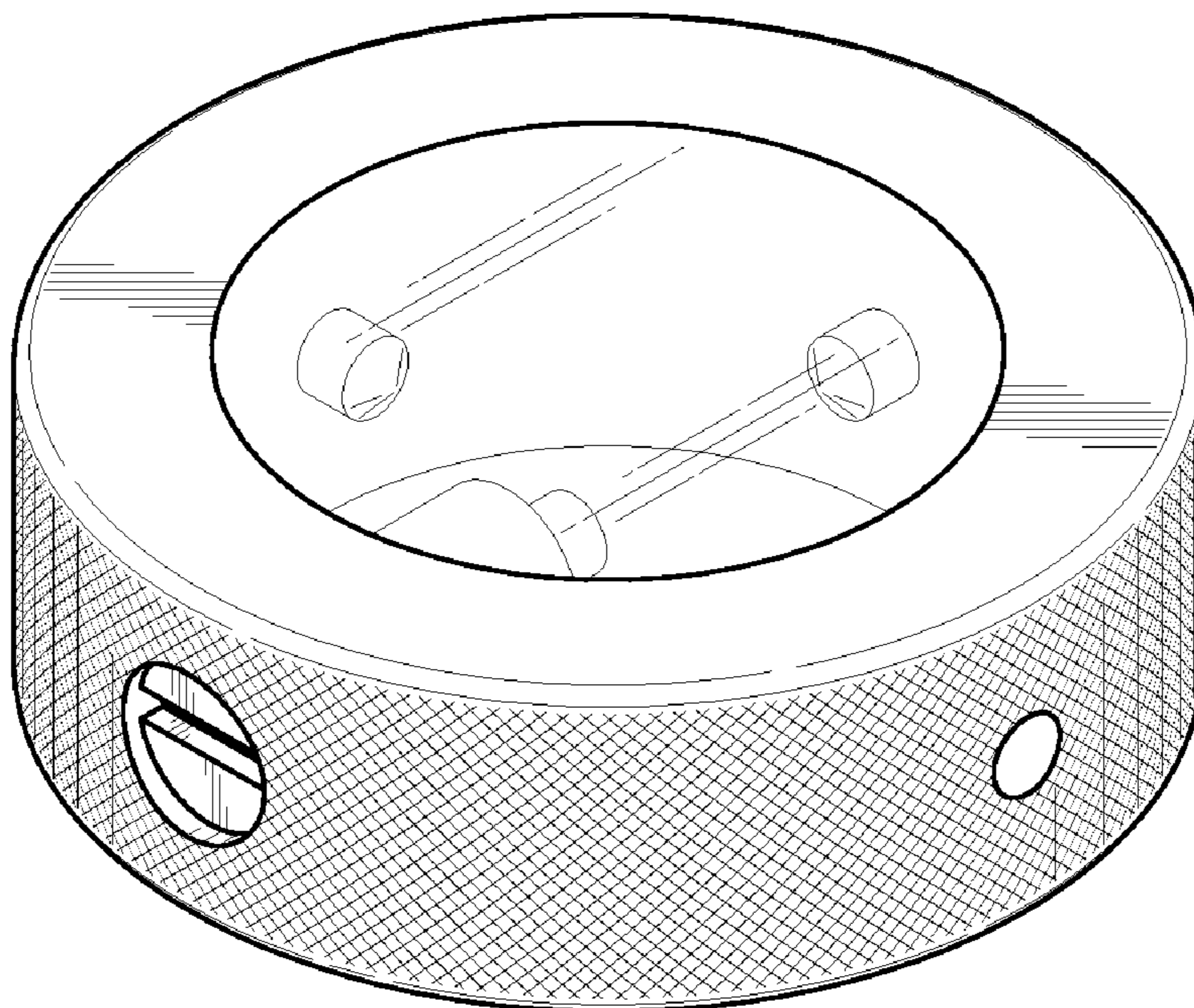
FIG. 4 is a side elevational view rotated 90 degrees from FIG. 2;

FIG. 5 is an elevational view of the opposite side of FIG. 4;

FIG. 6 is a top plan view thereof; and,

FIG. 7 is a bottom plan view thereof.

1 Claim, 4 Drawing Sheets



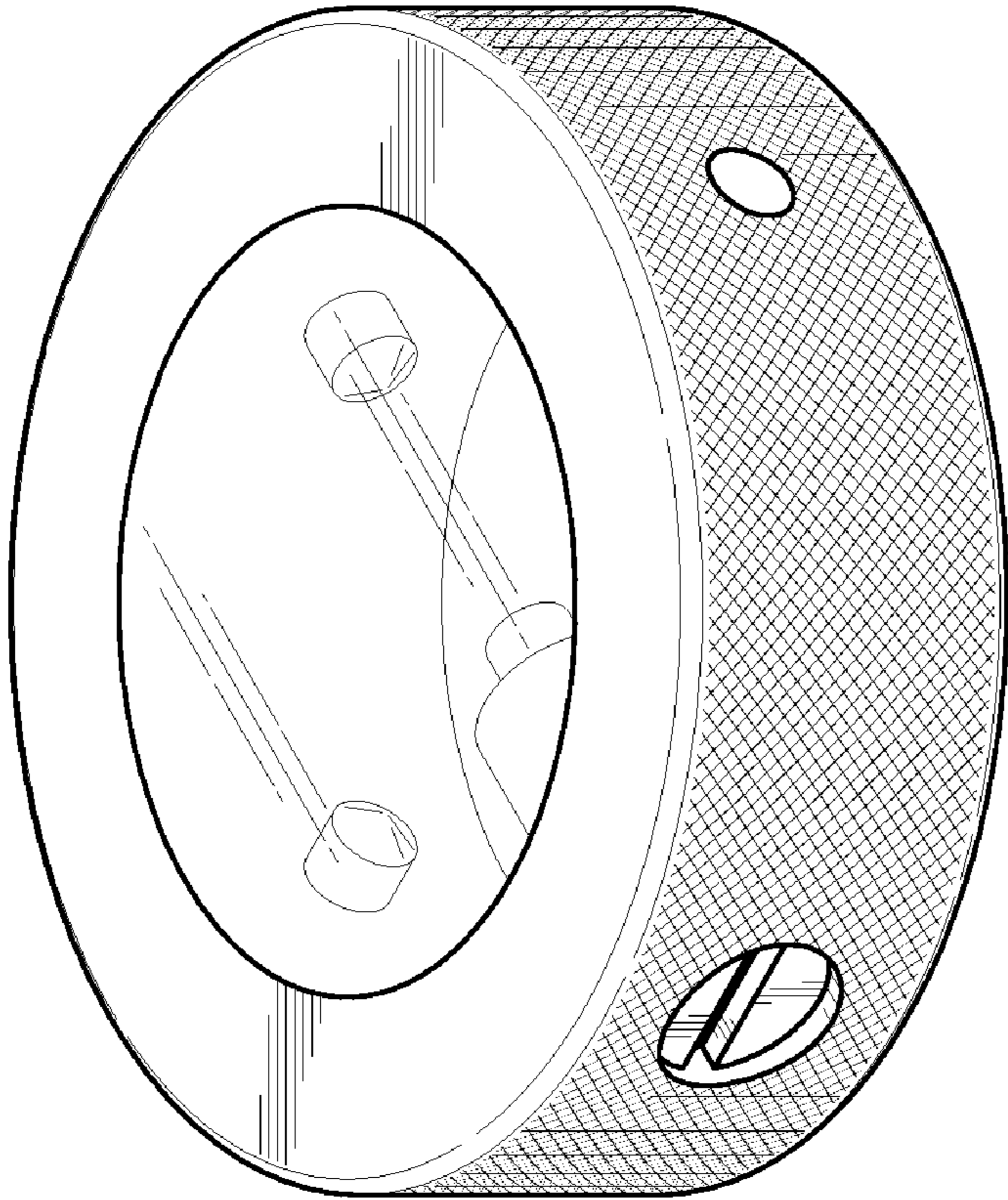


FIG. 1

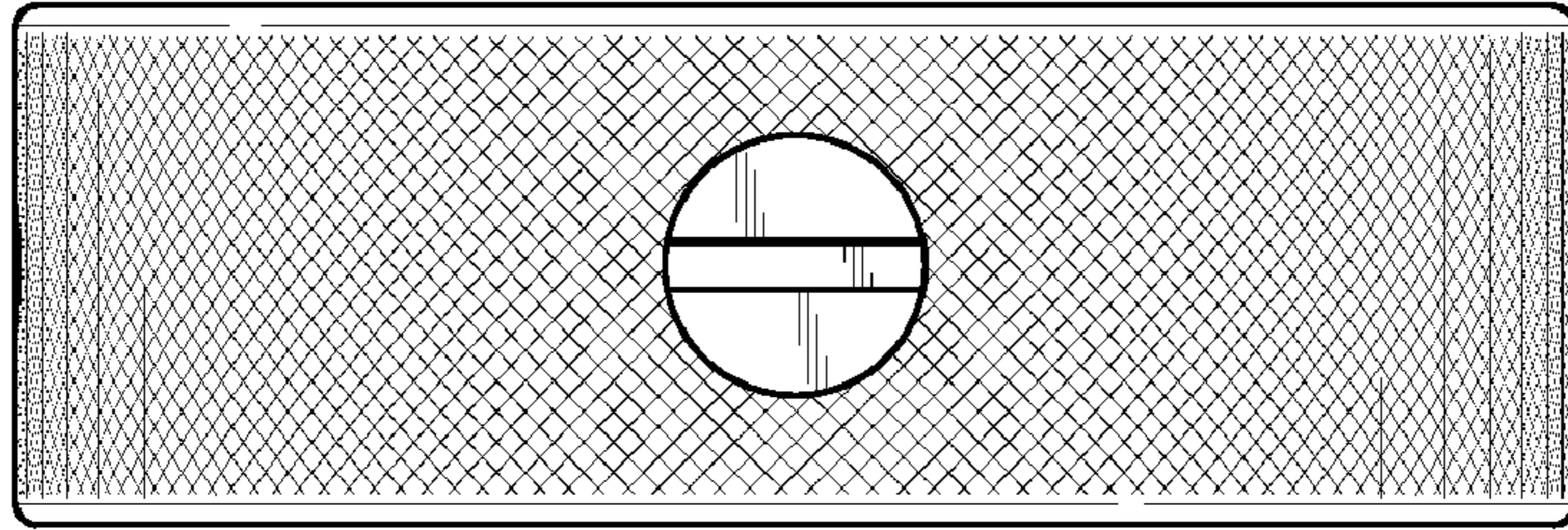


FIG. 2

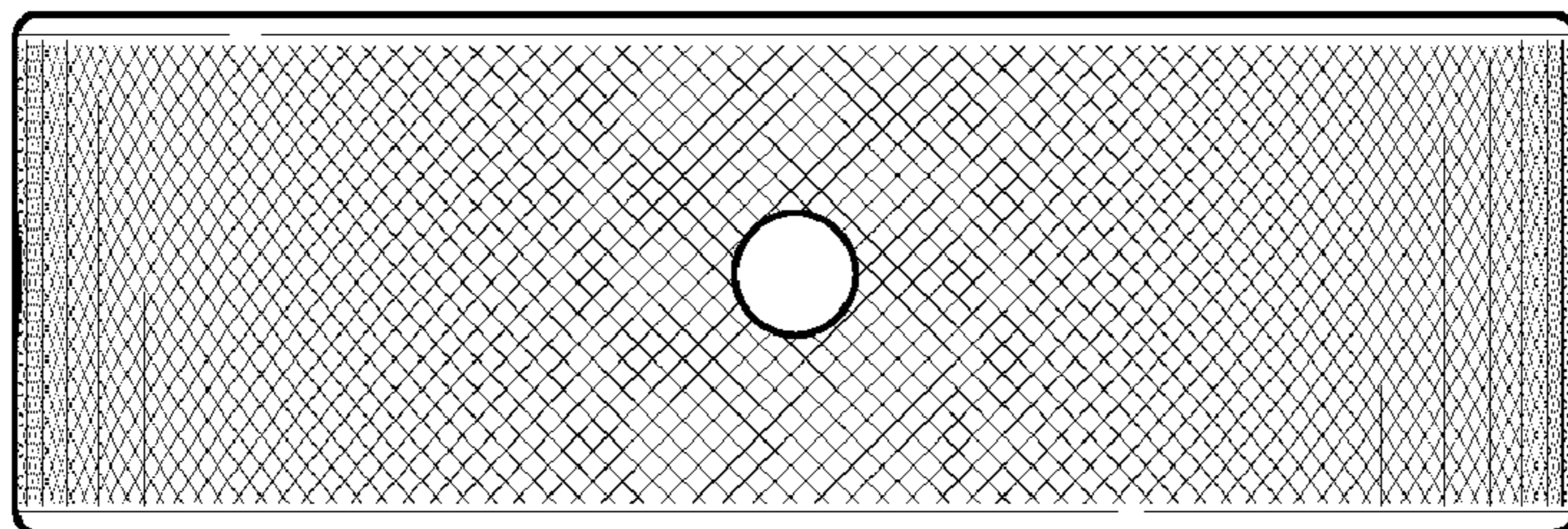


FIG. 3

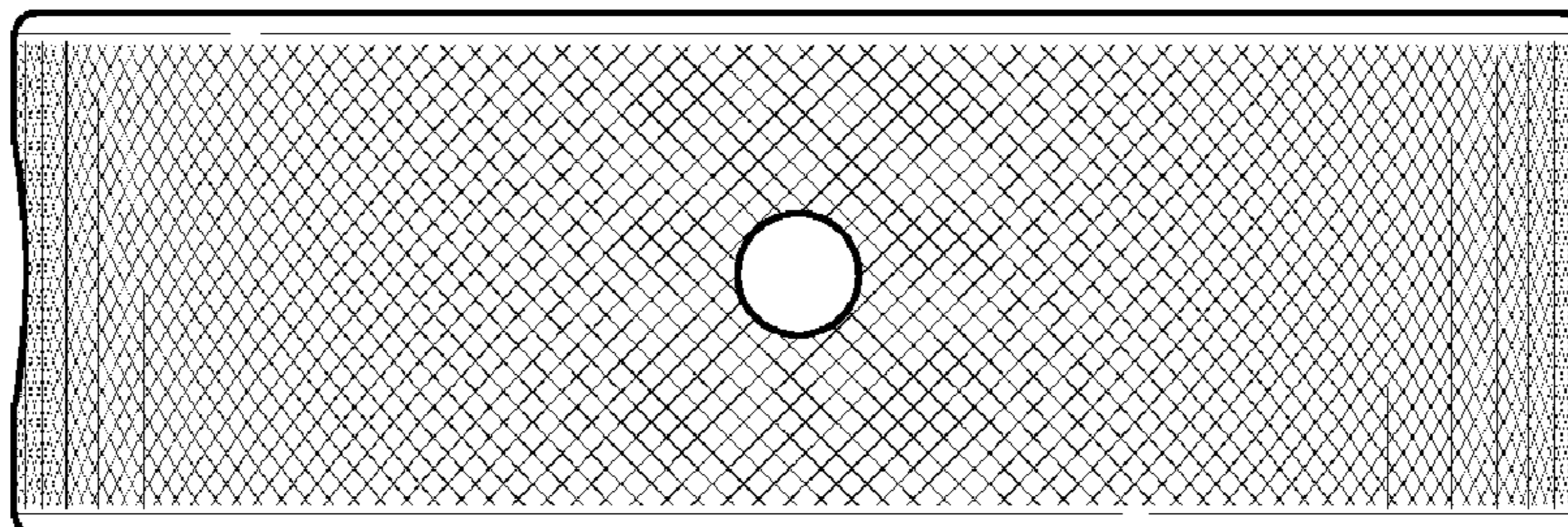


FIG. 4

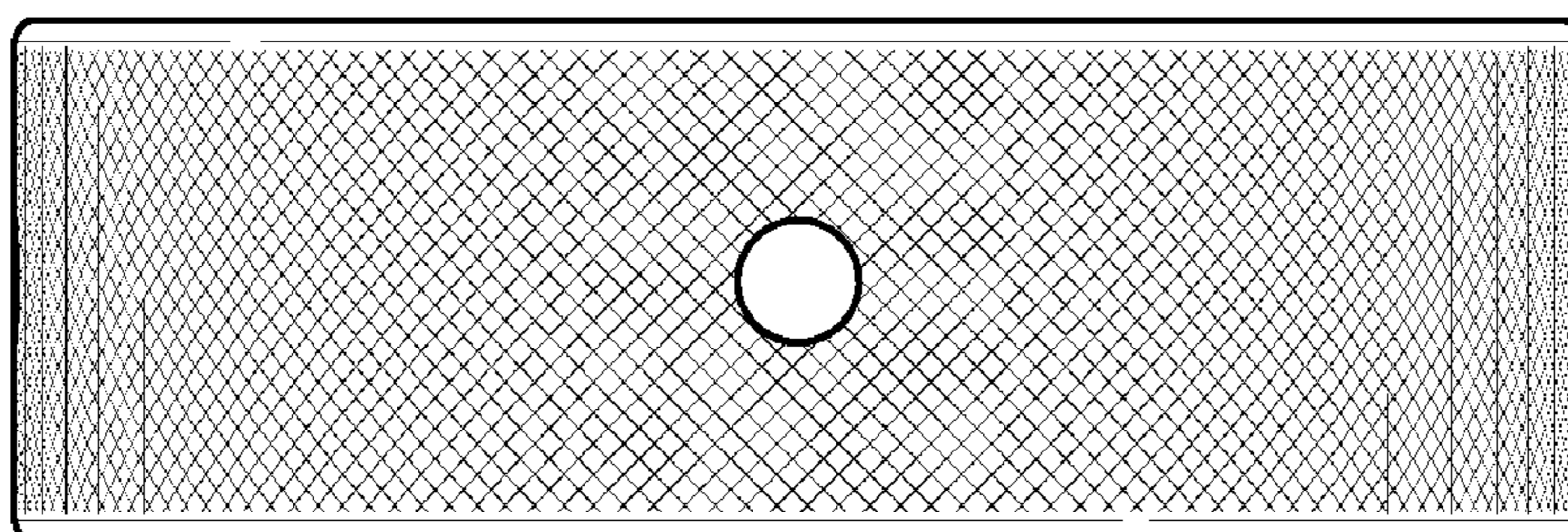


FIG. 5

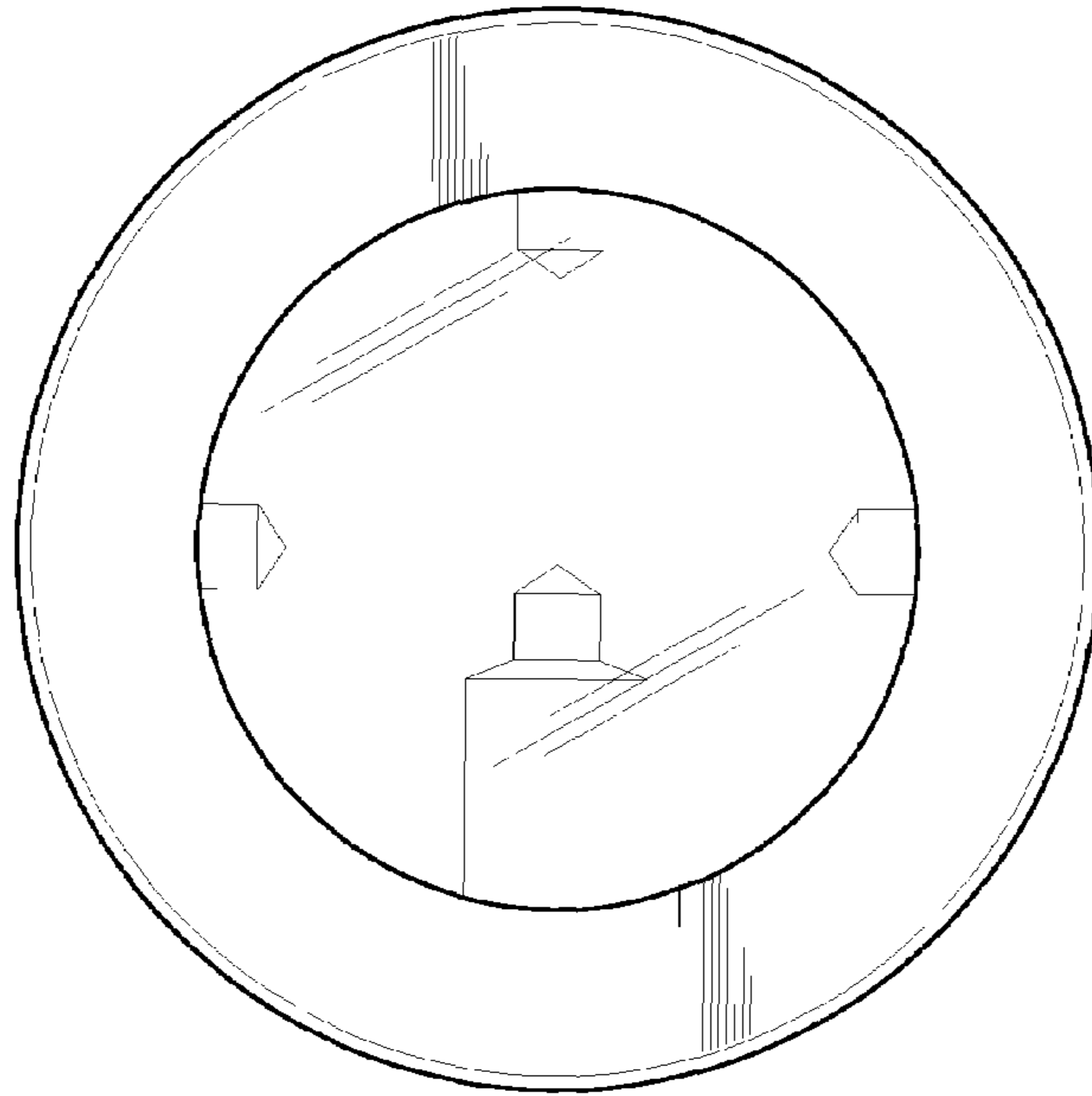


FIG. 6

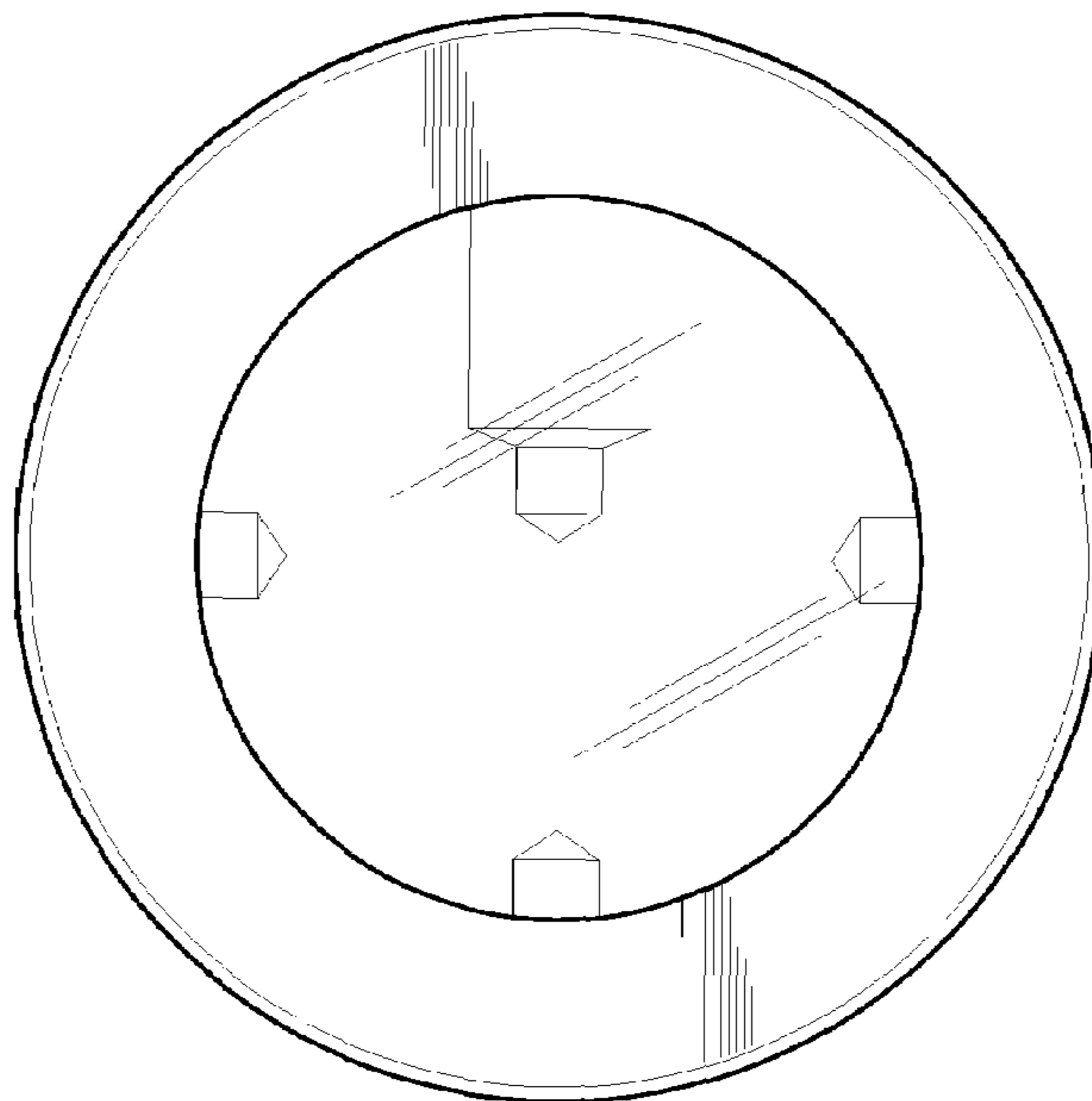


FIG. 7