



US00D579992S

(12) **United States Design Patent**
Cesaroni

(10) **Patent No.:** **US D579,992 S**

(45) **Date of Patent:** **** Nov. 4, 2008**

(54) **TREADMILL**

(75) Inventor: **William C. Cesaroni**, Glenview, IL (US)

(73) Assignee: **Paramount Fitness Corp.**, Los Angeles, CA (US)

(**) Term: **14 Years**

(21) Appl. No.: **29/303,879**

(22) Filed: **Feb. 19, 2008**

(51) **LOC (8) Cl.** **21-02**

(52) **U.S. Cl.** **D21/694**

(58) **Field of Classification Search** D21/662,
D21/667, 668, 669, 670, 686, 694; 482/51,
482/52, 54

See application file for complete search history.

(56) **References Cited**

U.S. PATENT DOCUMENTS

D280,002	S	*	8/1985	Smith	D21/669
D282,386	S	*	1/1986	Dealey et al.	D21/669
D289,667	S	*	5/1987	Danchulis	D21/669
D303,556	S	*	9/1989	Trulaske et al.	D21/669
5,855,537	A	*	1/1999	Coody et al.	482/54
D416,596	S	*	11/1999	Armstrong	D21/694
D447,780	S	*	9/2001	Arnold et al.	D21/669
D482,085	S	*	11/2003	Eyler et al.	D21/694
D531,683	S	*	11/2006	Choi et al.	D21/696
D559,342	S	*	1/2008	Moon	D21/694

* cited by examiner

Primary Examiner—Philip S Hyder

(74) *Attorney, Agent, or Firm*—Foley & Lardner LLP

(57) **CLAIM**

We claim the ornamental design for a treadmill, as shown and described.

DESCRIPTION

FIG. 1 is a front, left side perspective view of the treadmill according to the claimed design;

FIG. 2 is a front view of the treadmill according to the claimed design;

FIG. 3 is a rear view of the treadmill according to the claimed design;

FIG. 4 is a left side view of the treadmill according to the claimed design;

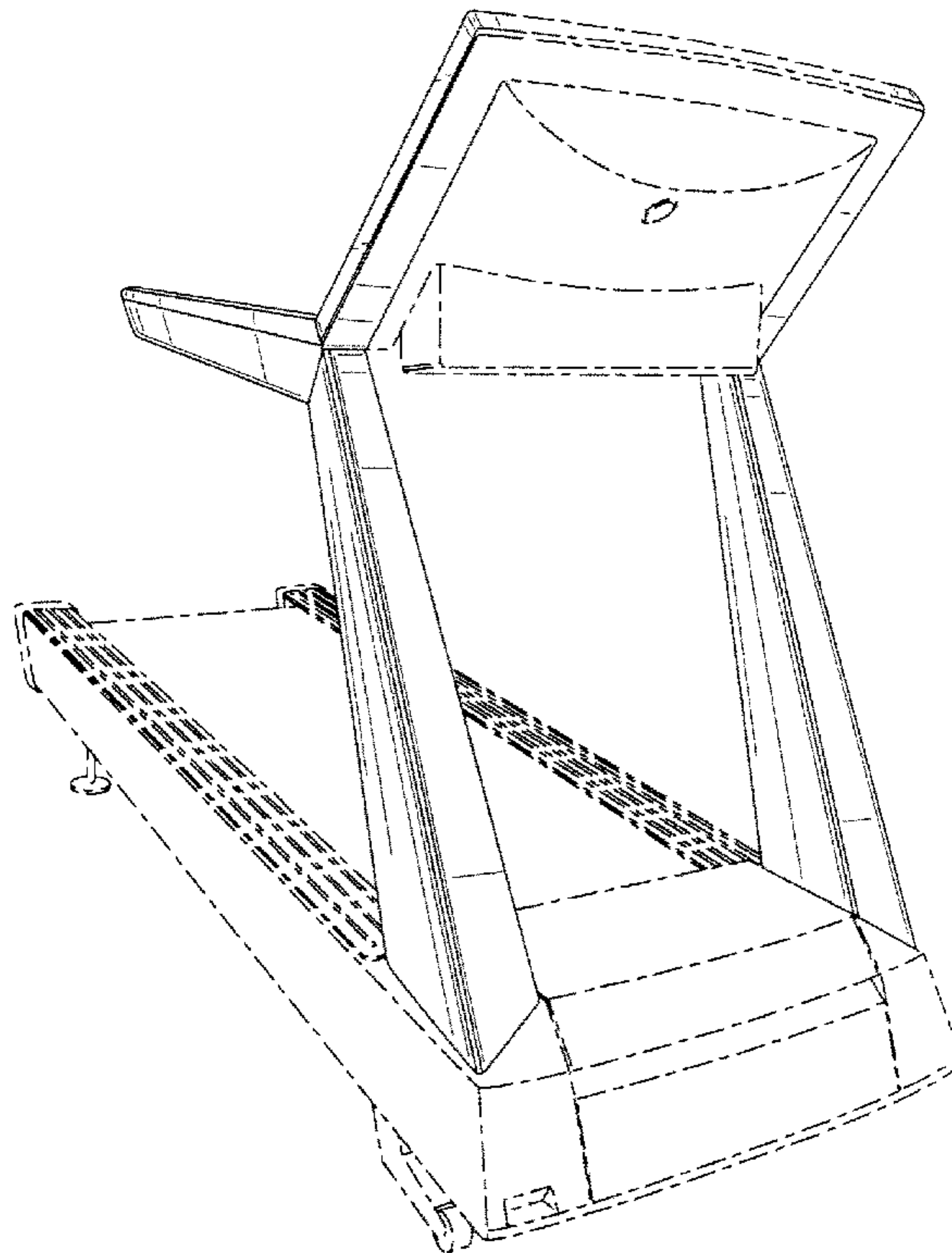
FIG. 5 is a right side view of the treadmill according to the claimed design;

FIG. 6 is a top view of the treadmill according to the claimed design; and,

FIG. 7 is a bottom view of the treadmill according to the claimed design.

The ornamental design which is claimed is shown in solid lines in the drawings. The broken lines in the drawings are for environmental purposes only and form no part of the claimed design.

1 Claim, 7 Drawing Sheets



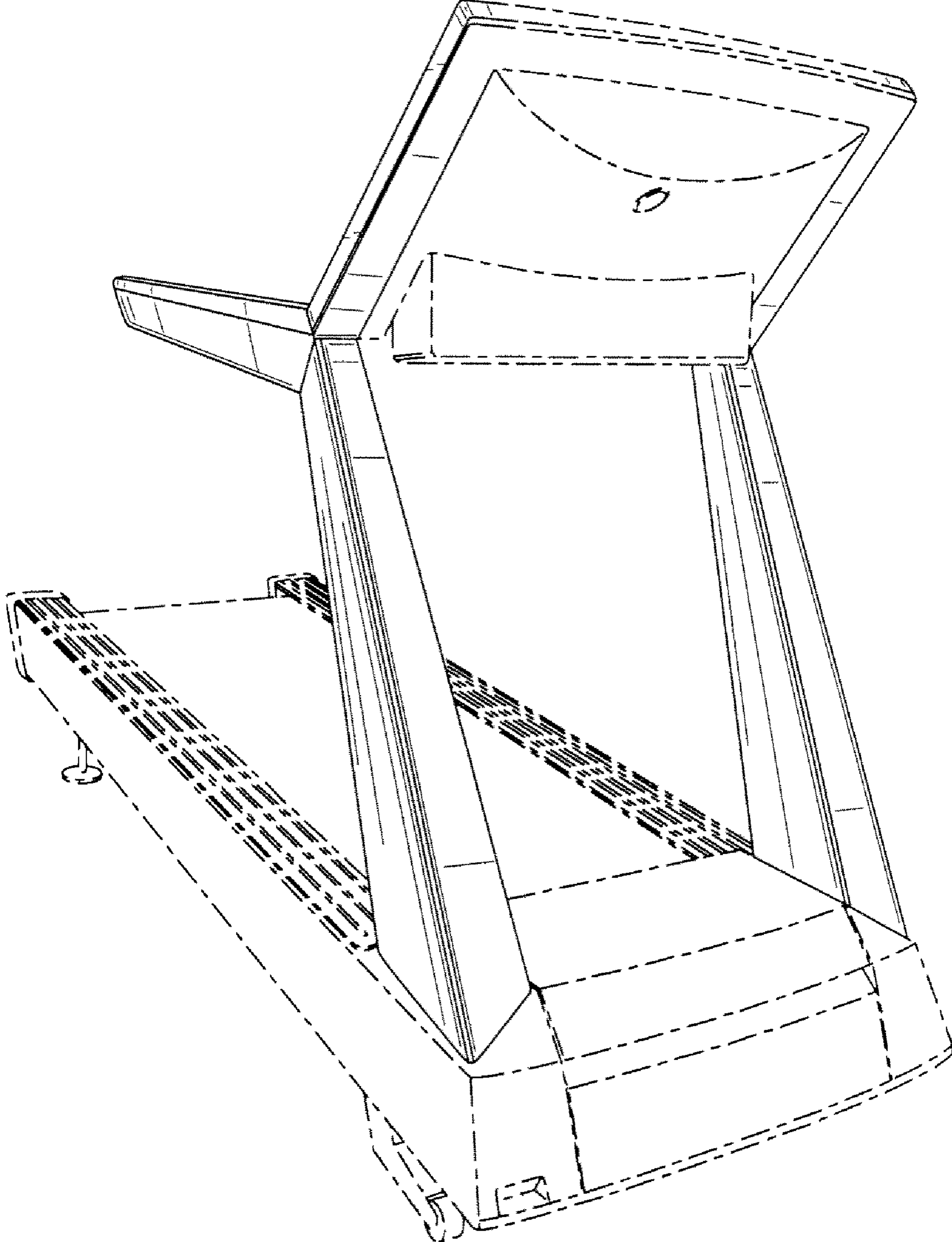


FIG. 1

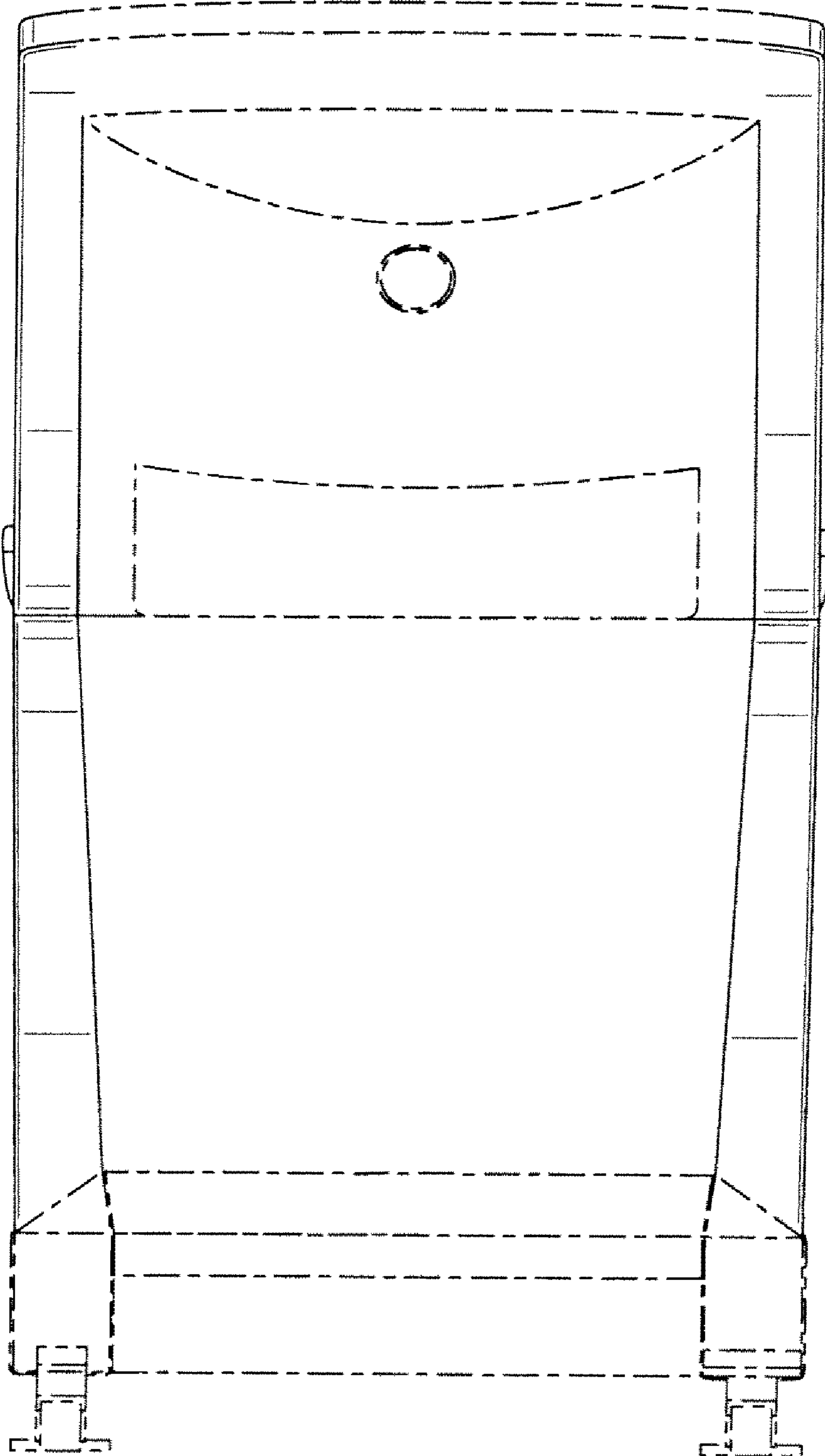


FIG. 2

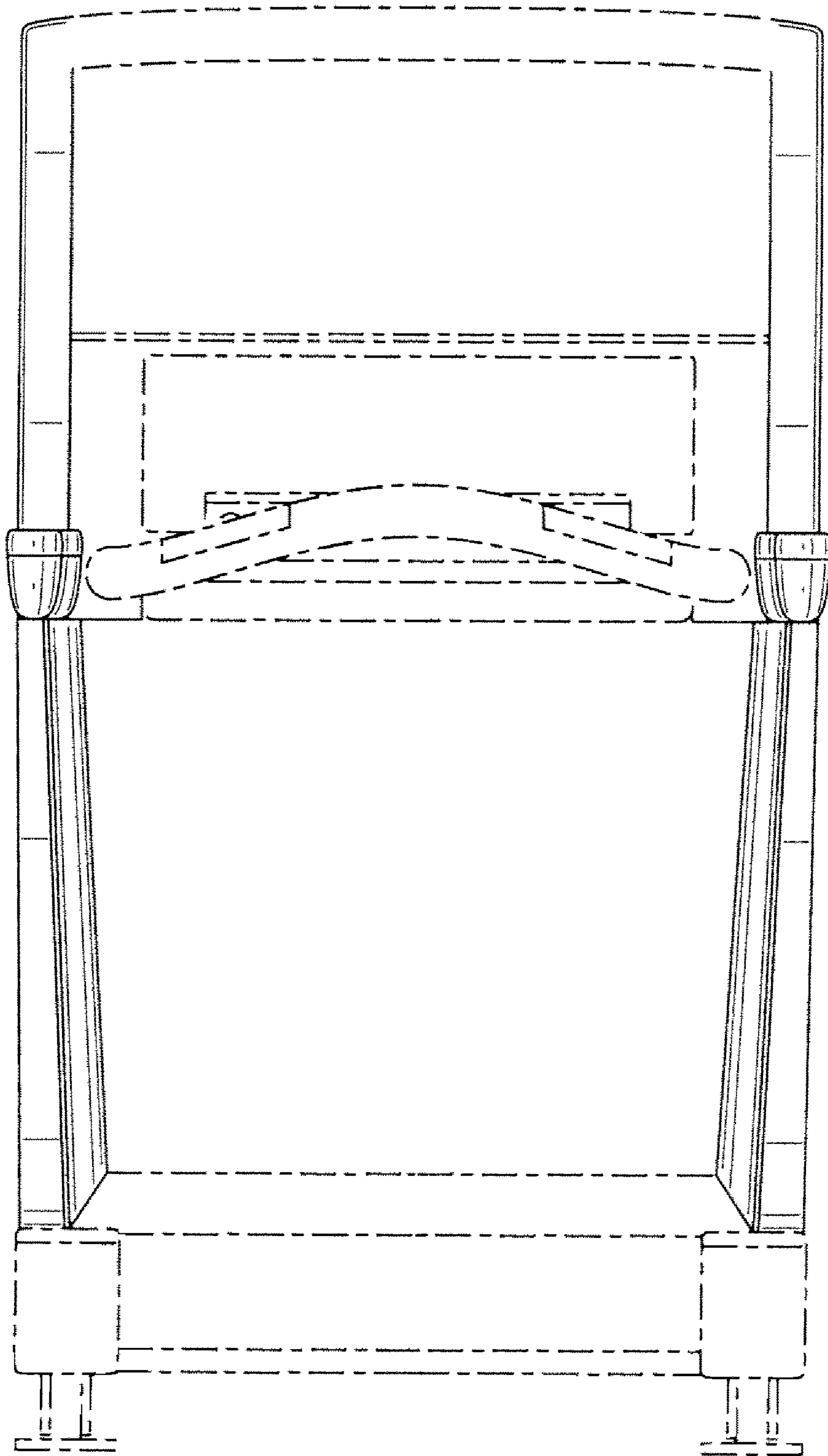


FIG. 3

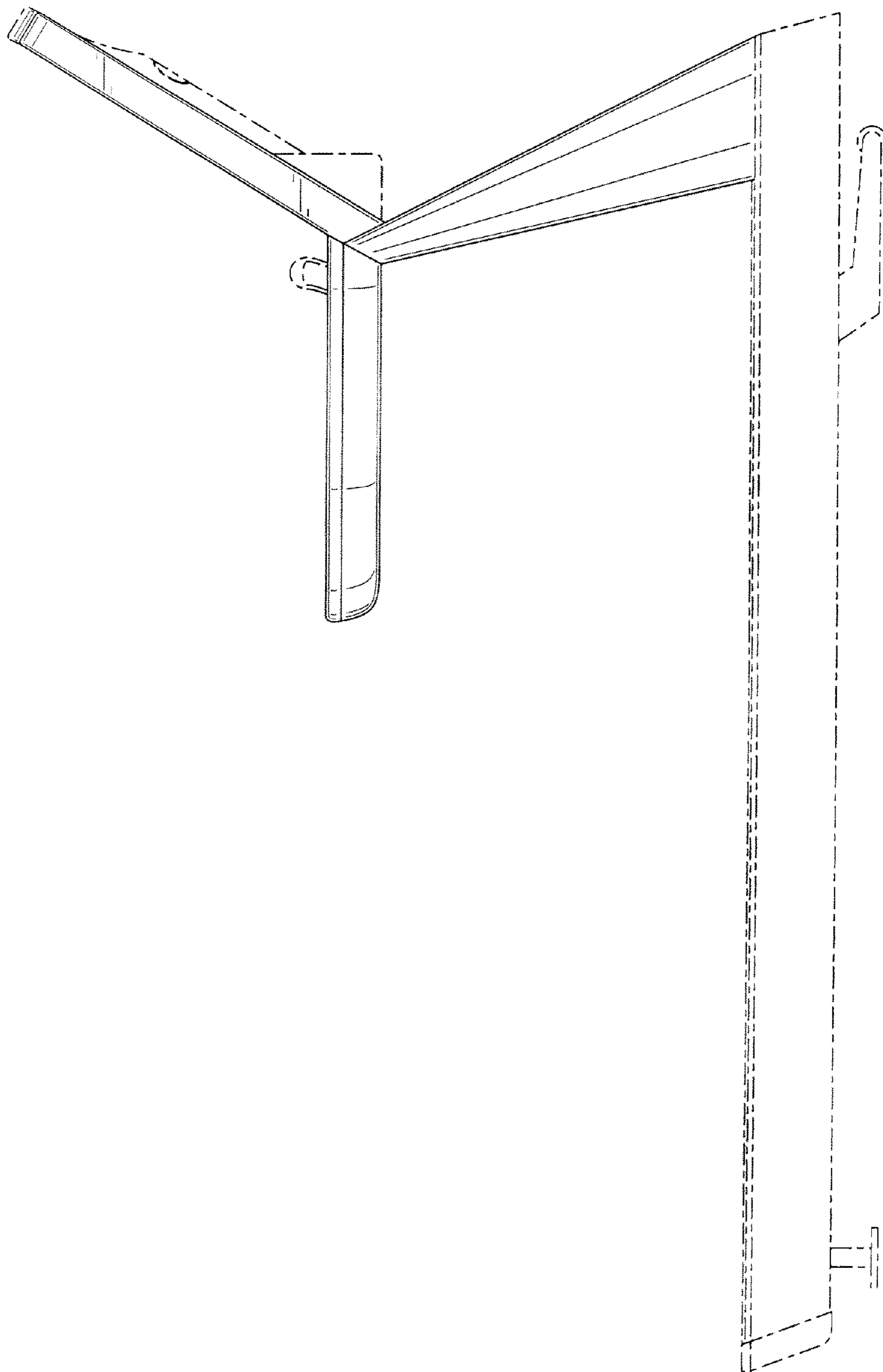


FIG. 4

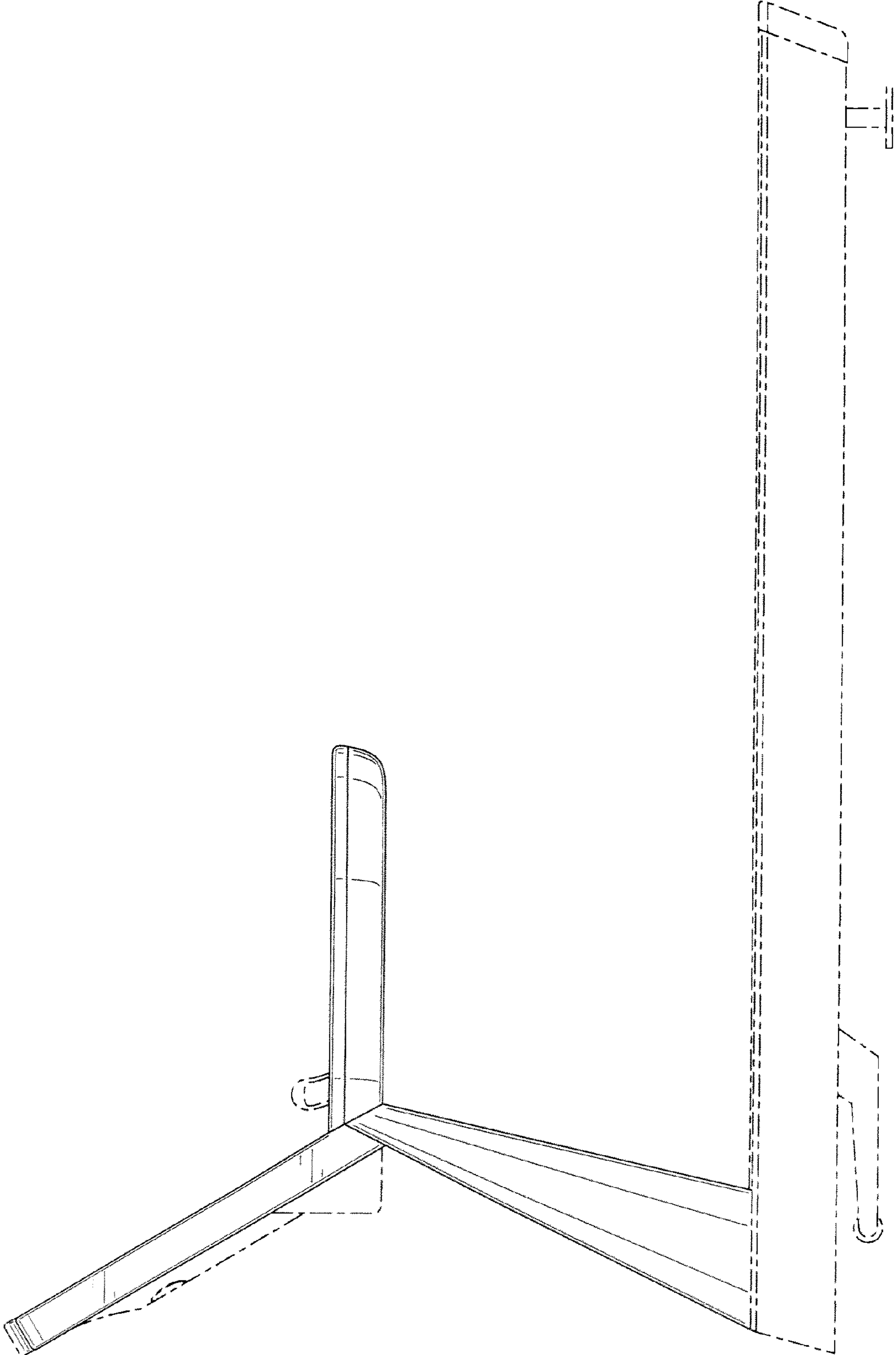


FIG. 5

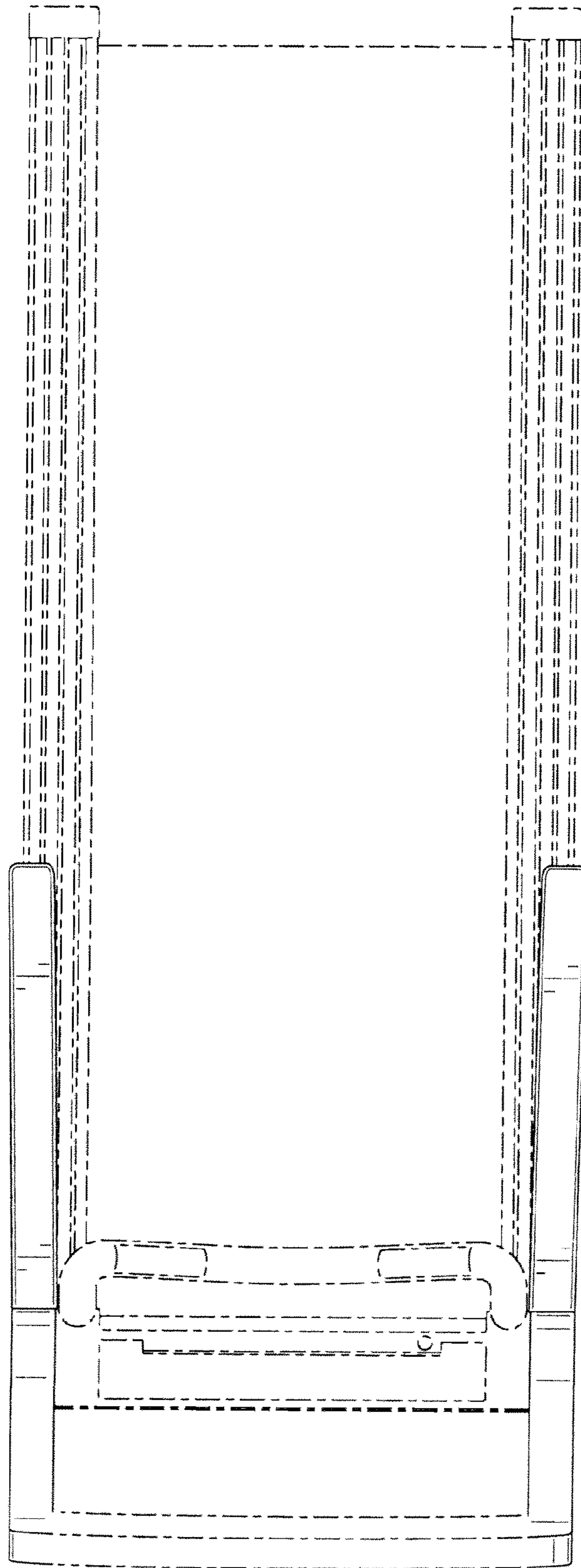


FIG. 6

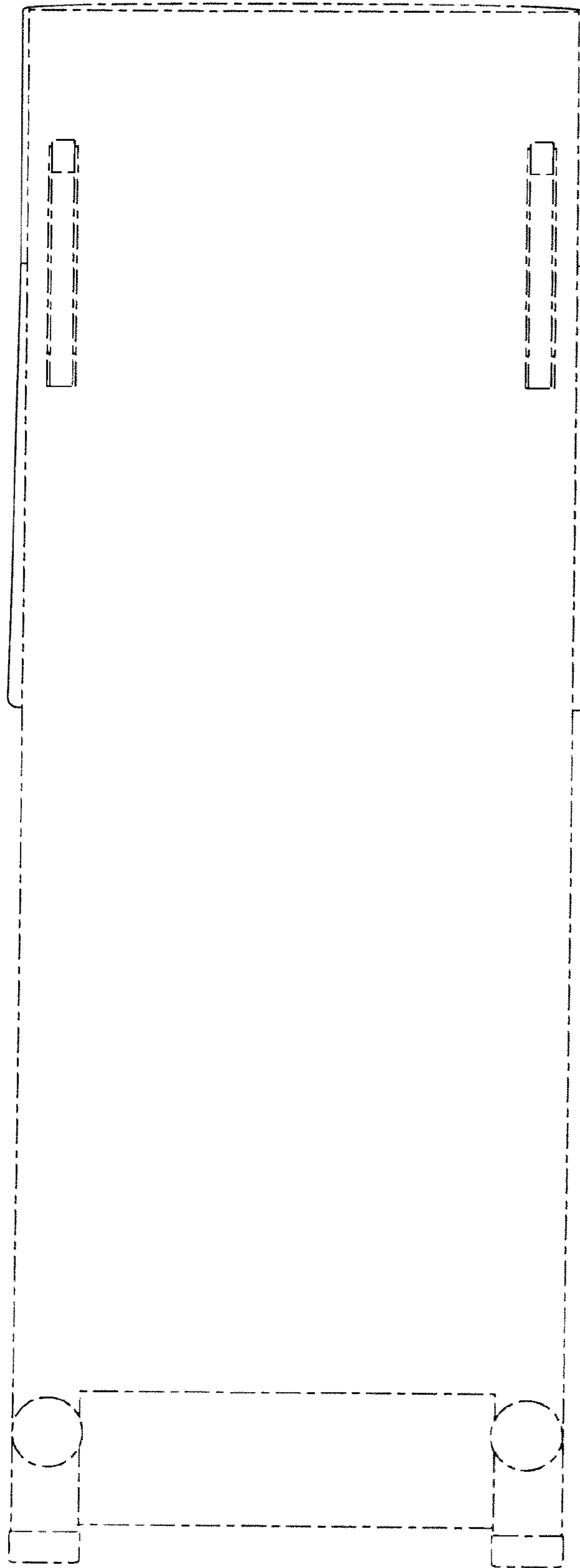


FIG. 7