



US00D579989S

(12) **United States Design Patent**
Bingham, Jr. et al.

(10) **Patent No.:** **US D579,989 S**

(45) **Date of Patent:** **** Nov. 4, 2008**

(54) **EXERCISE MACHINE**

7,175,570 B2 * 2/2007 Lull et al. 482/57
D571,417 S * 6/2008 Su D21/667

(75) Inventors: **Robert J. Bingham, Jr.**, Woodinville, WA (US); **Ryan P. Selby**, Woodinville, WA (US); **Neil P. Everson**, Woodinville, WA (US); **Ralf Groene**, Palo Alto, CA (US); **Adam Reineck**, Palo Alto, CA (US)

* cited by examiner

Primary Examiner—Philip S Hyder
(74) *Attorney, Agent, or Firm*—Davis Wright Tremaine LLP; George C. Rondeau, Jr.

(73) Assignee: **LeMond Fitness, Inc.**, Woodinville, WA (US)

(57) **CLAIM**

The ornamental design for an exercise machine, as shown and described.

(**) Term: **14 Years**

DESCRIPTION

(21) Appl. No.: **29/282,487**

FIG. 1 is a left side elevational view of an exercise machine showing our new design.

(22) Filed: **Jul. 20, 2007**

FIG. 2 is a top plan view thereof.

(51) **LOC (8) Cl.** **21-02**

FIG. 3 is a bottom plan view thereof.

(52) **U.S. Cl.** **D21/667**

FIG. 4 is a front elevational view thereof.

(58) **Field of Classification Search** D21/662,
D21/663, 664, 665, 666, 667, 668; 482/51,
482/57, 63, 64, 65

FIG. 5 is a rear elevational view thereof.

See application file for complete search history.

FIG. 6 is a left side elevational view thereof.

FIG. 7 is a right side elevational view thereof.

(56) **References Cited**

FIG. 8 is a left side perspective view of a second embodiment thereof.

U.S. PATENT DOCUMENTS

FIG. 9 is a top plan view thereof.

D285,953 S *	9/1986	Gustafsson	D21/667
D296,457 S *	6/1988	Anitua	D21/667
D323,863 S *	2/1992	Watterson	D21/667
D372,284 S *	7/1996	Wang et al.	D21/667
D380,796 S *	7/1997	Wang et al.	D21/667
D382,924 S *	8/1997	Wu	D21/667
D382,925 S *	8/1997	Wu	D21/667
6,491,606 B1	12/2002	Swift		
D473,602 S *	4/2003	Baudhuin et al.	D21/697
6,612,970 B2 *	9/2003	Forcillo	482/57
6,669,603 B1 *	12/2003	Forcillo	482/57
D532,063 S *	11/2006	Kim et al.	D21/697

FIG. 10 is a bottom plan view thereof.

FIG. 11 is a front elevational view thereof.

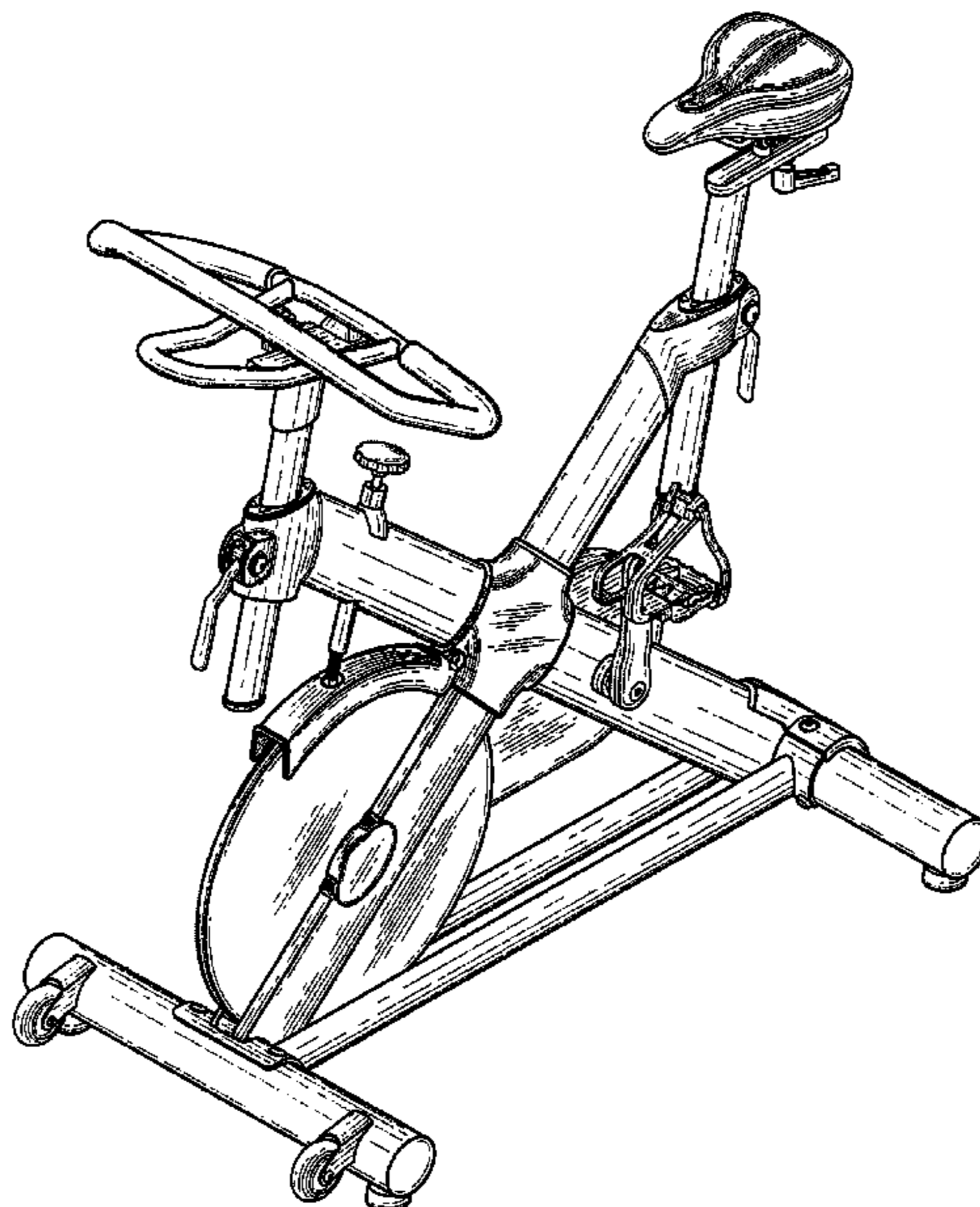
FIG. 12 is a rear elevational view thereof.

FIG. 13 is a left side elevational view thereof; and,

FIG. 14 is a right side elevational view thereof.

The broken lines are for illustrative purposes only and form no part of the claimed design.

1 Claim, 14 Drawing Sheets



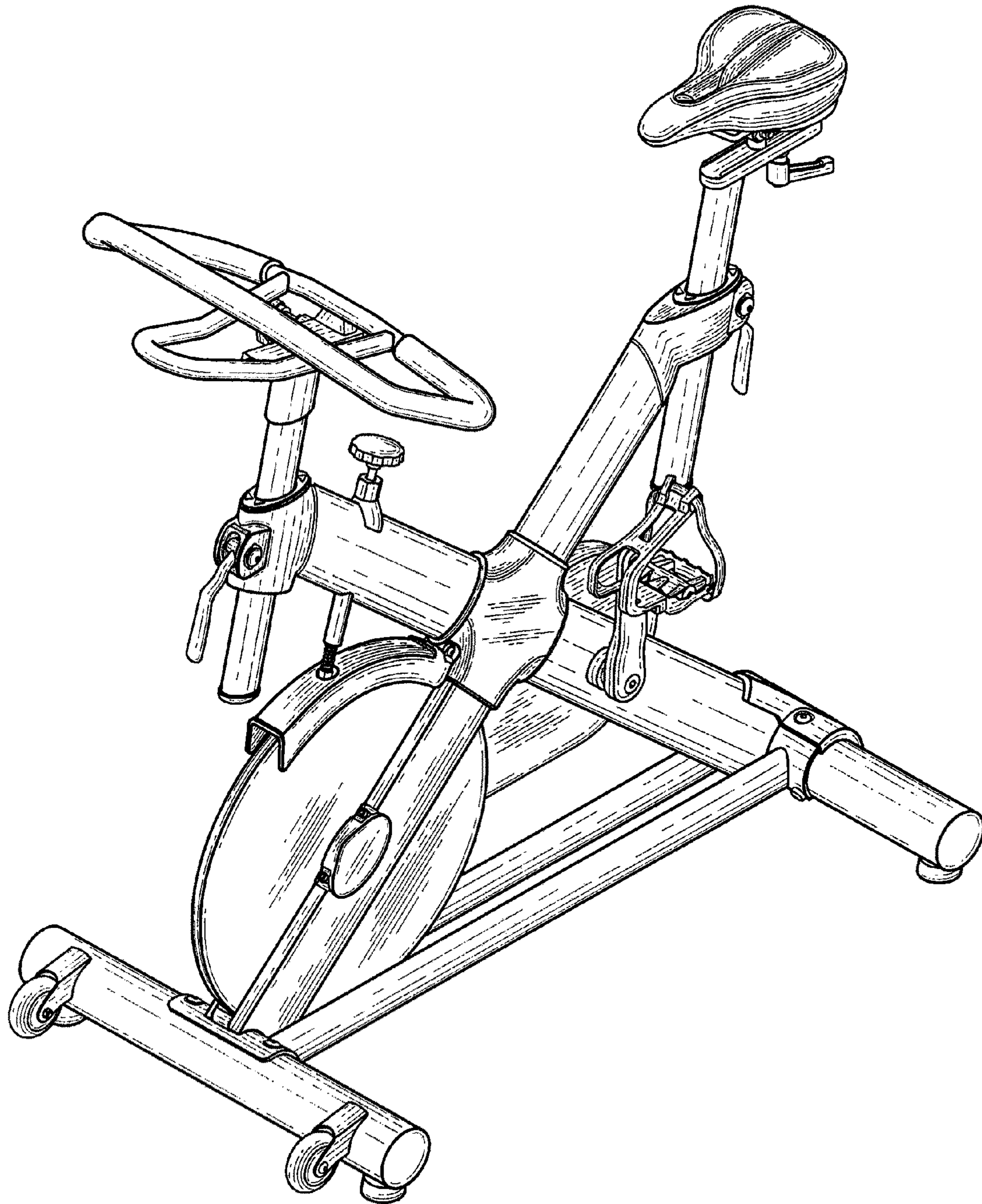


Fig. 1

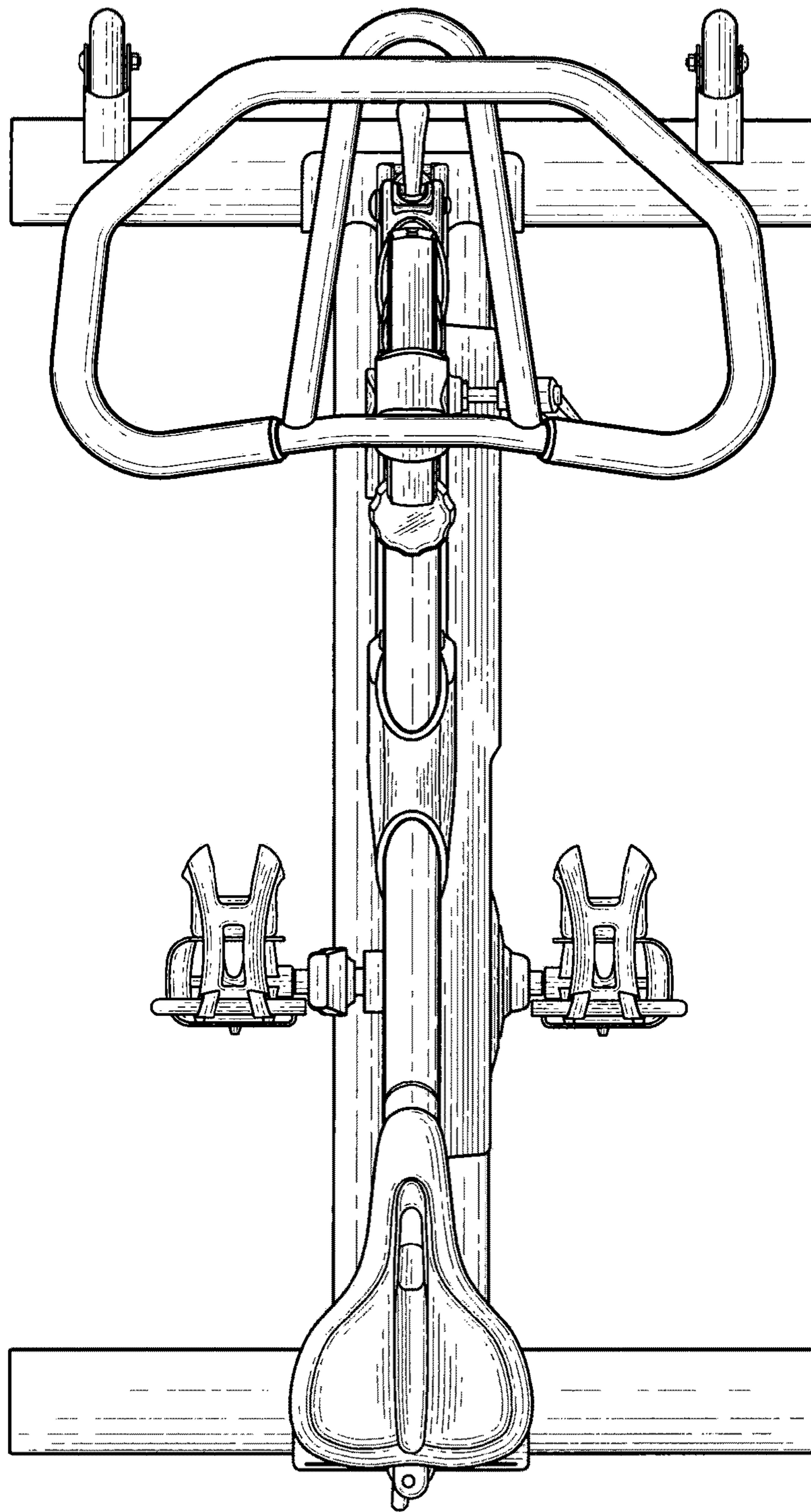


Fig. 2

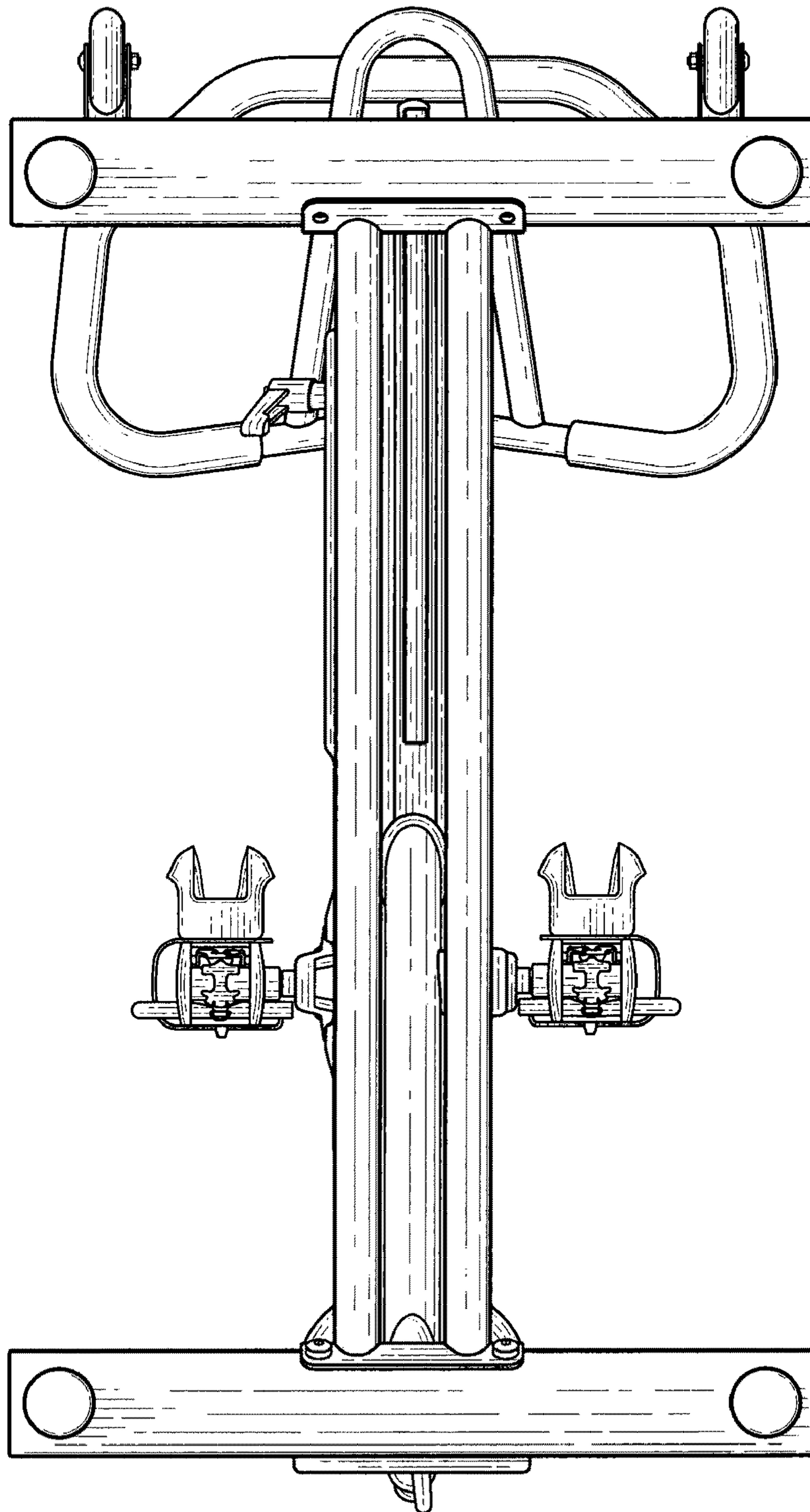


Fig. 3

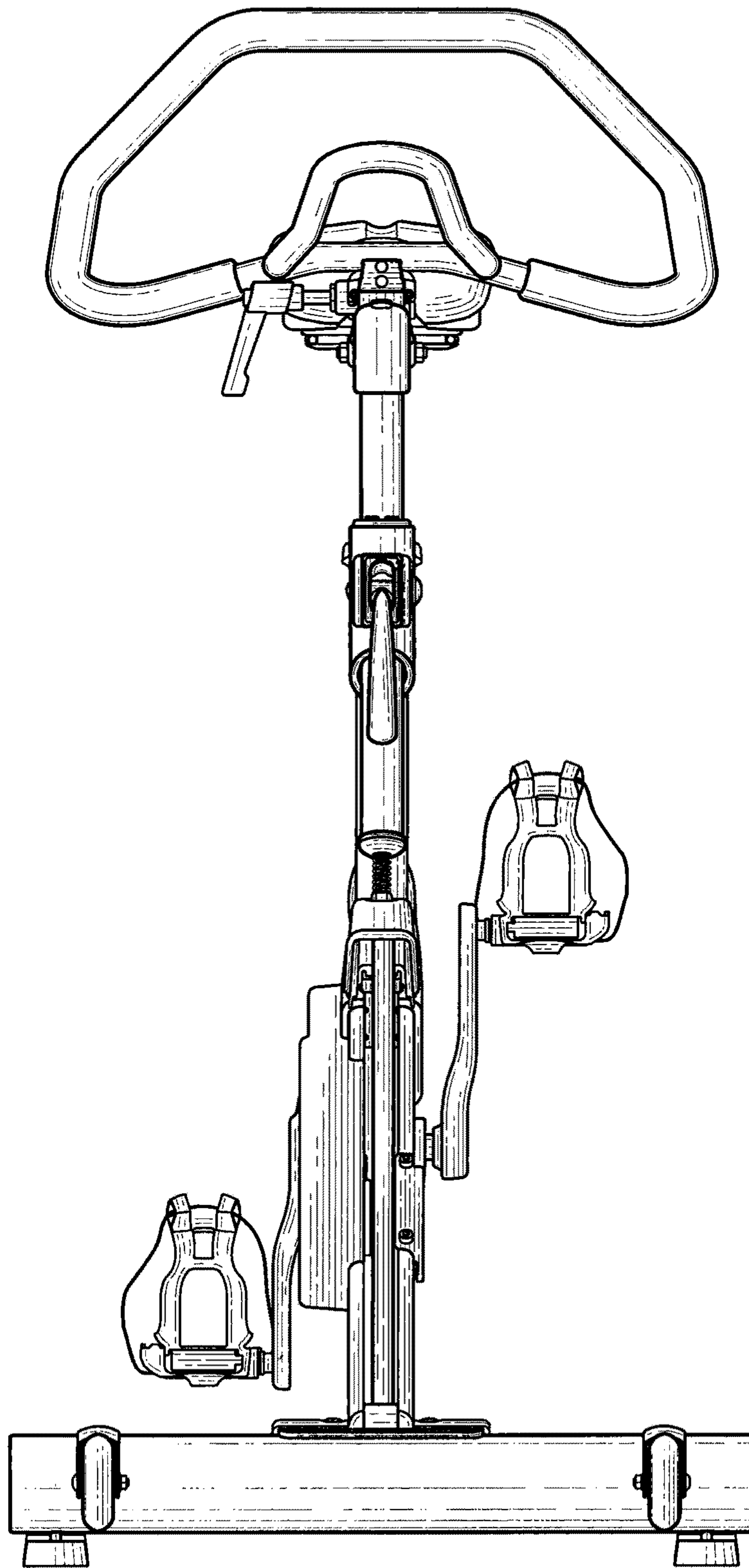


Fig. 4

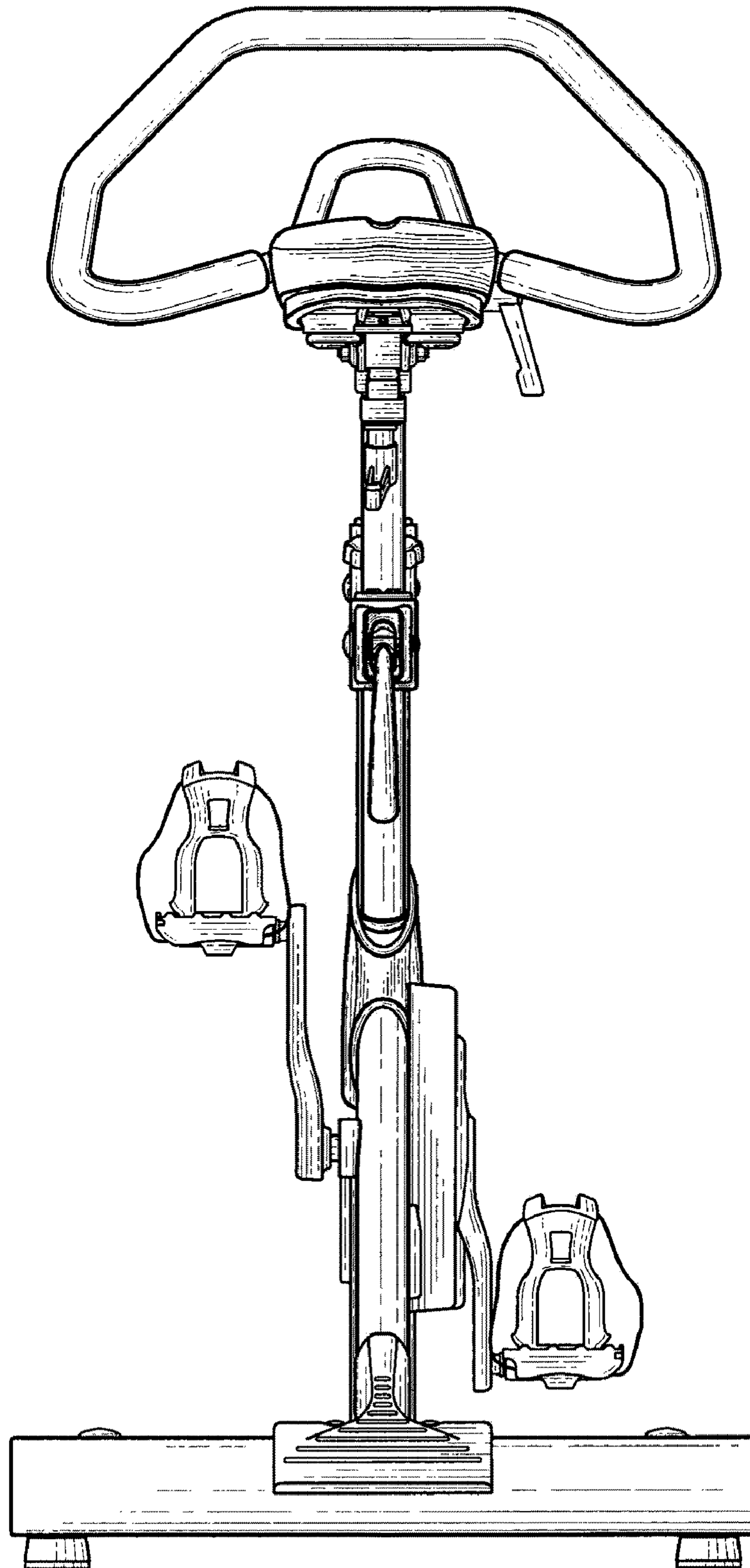


Fig. 5

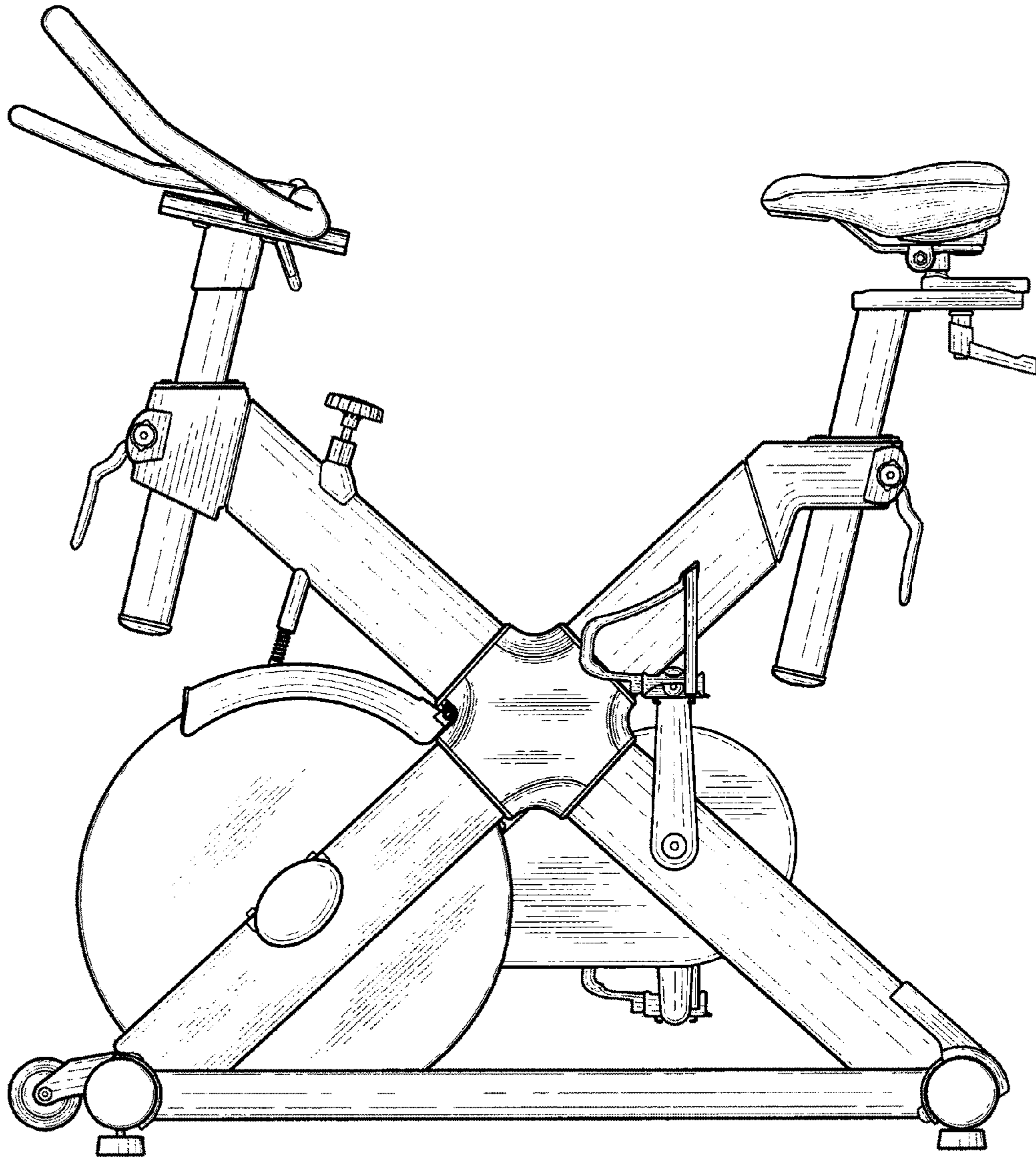


Fig. 6

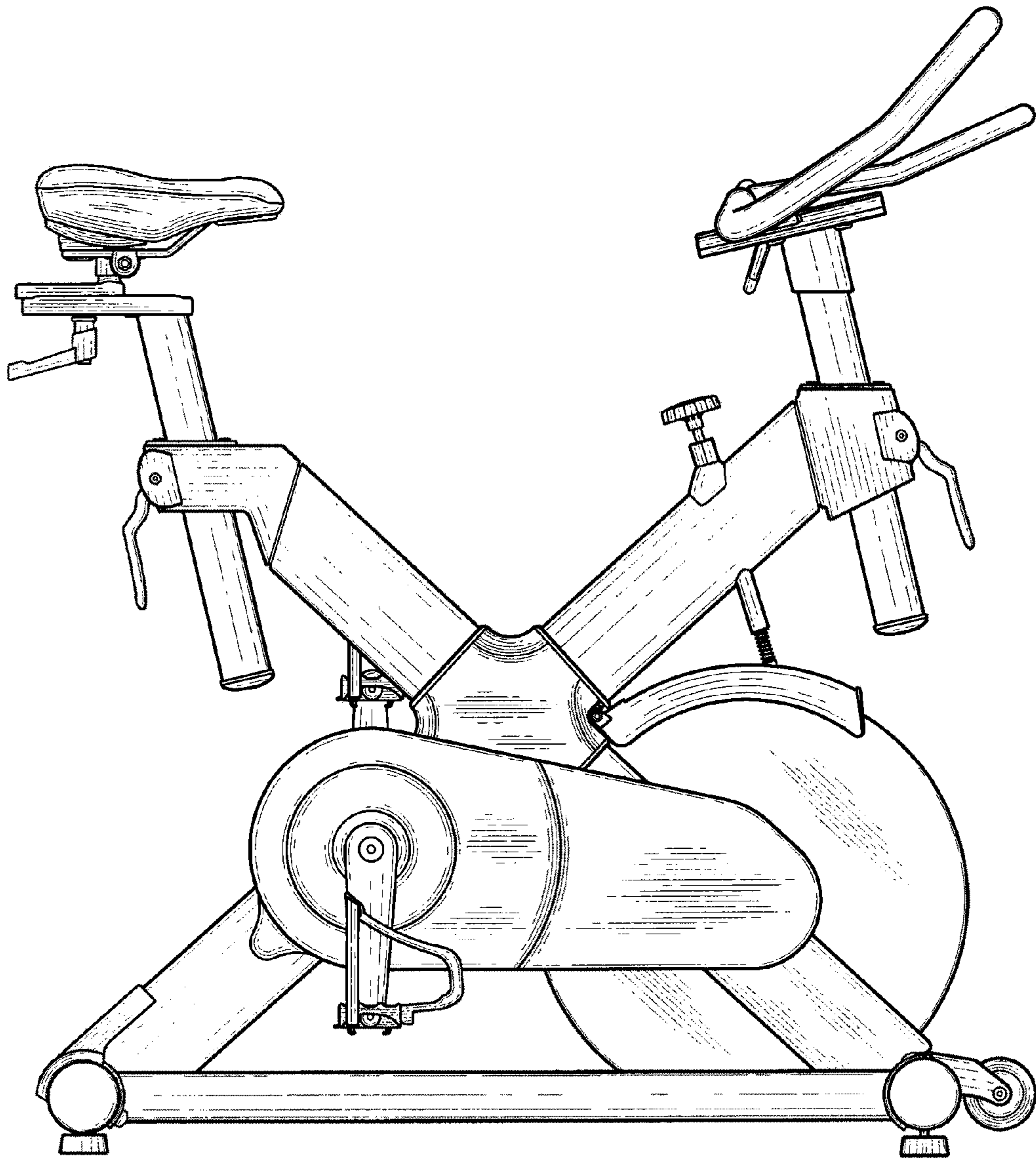


Fig. 7

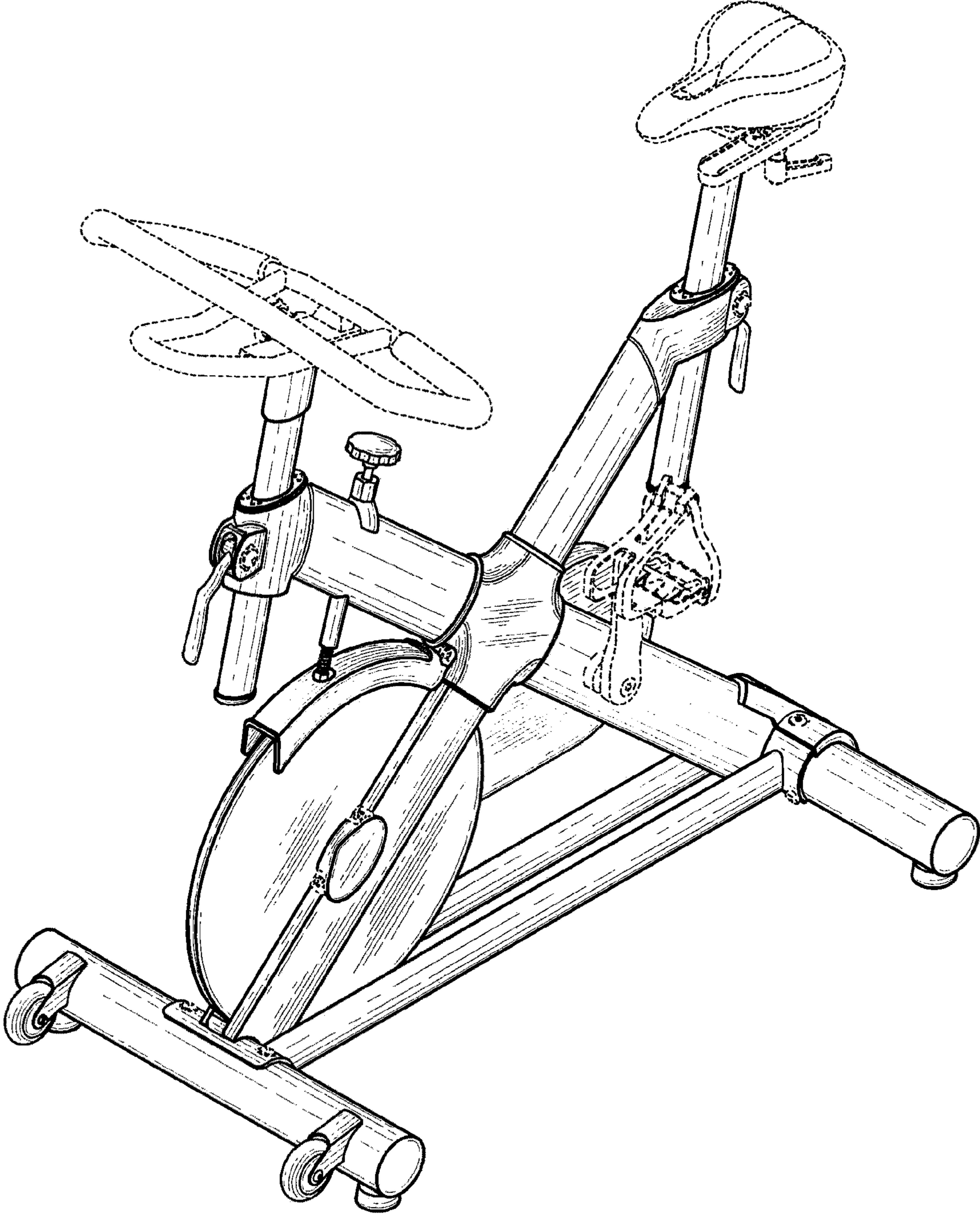


Fig. 8

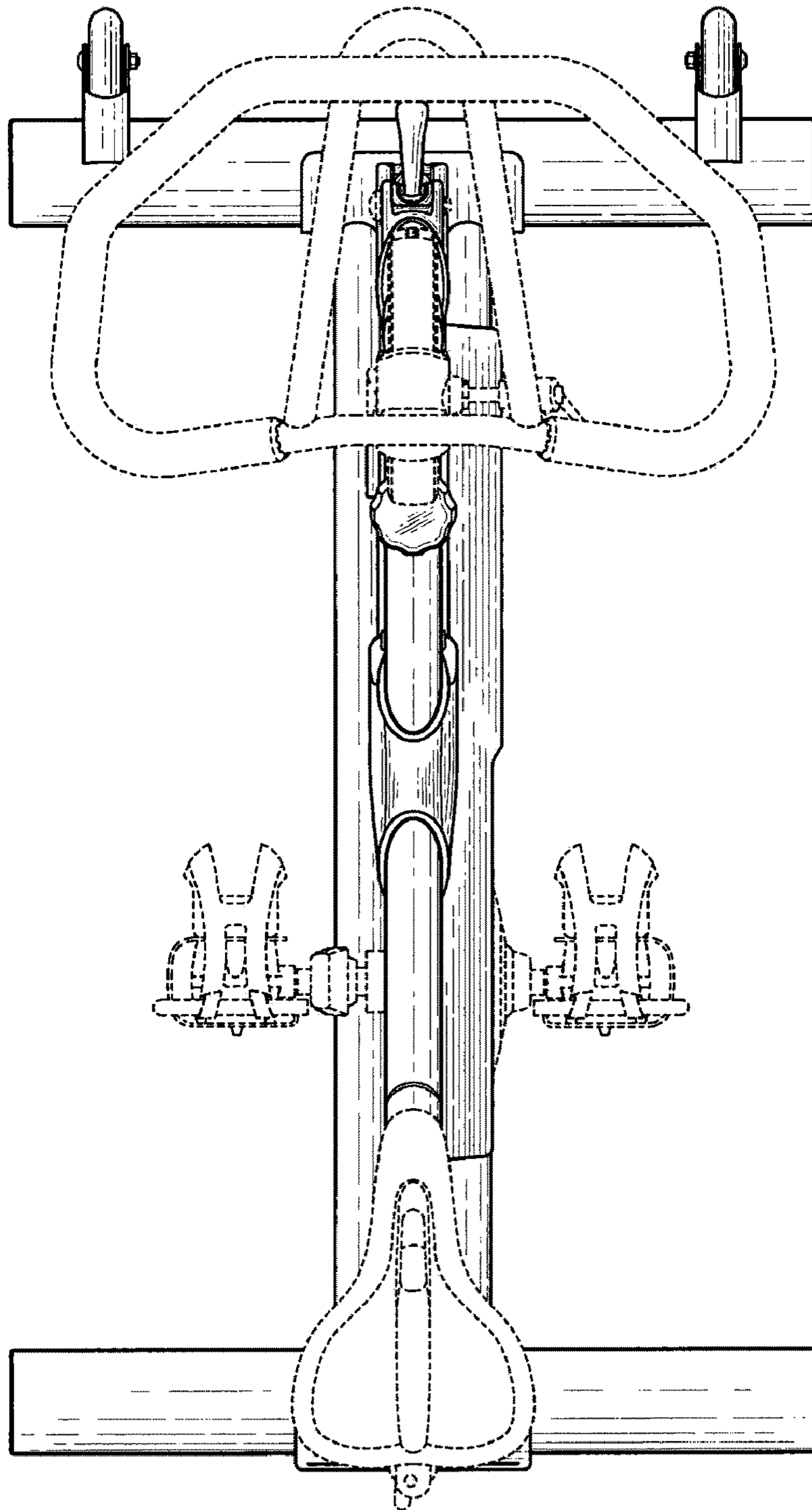


Fig. 9

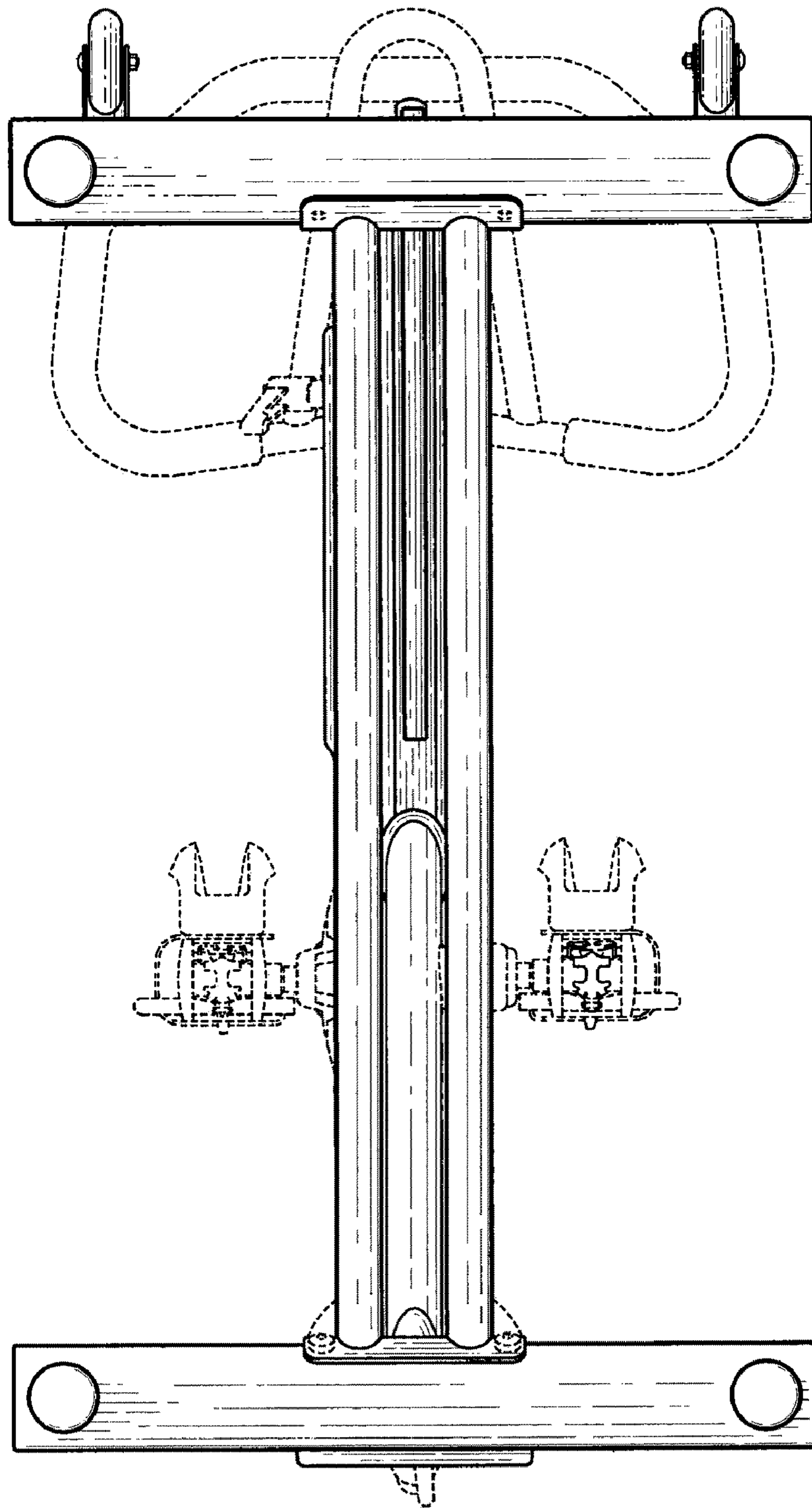


Fig. 10

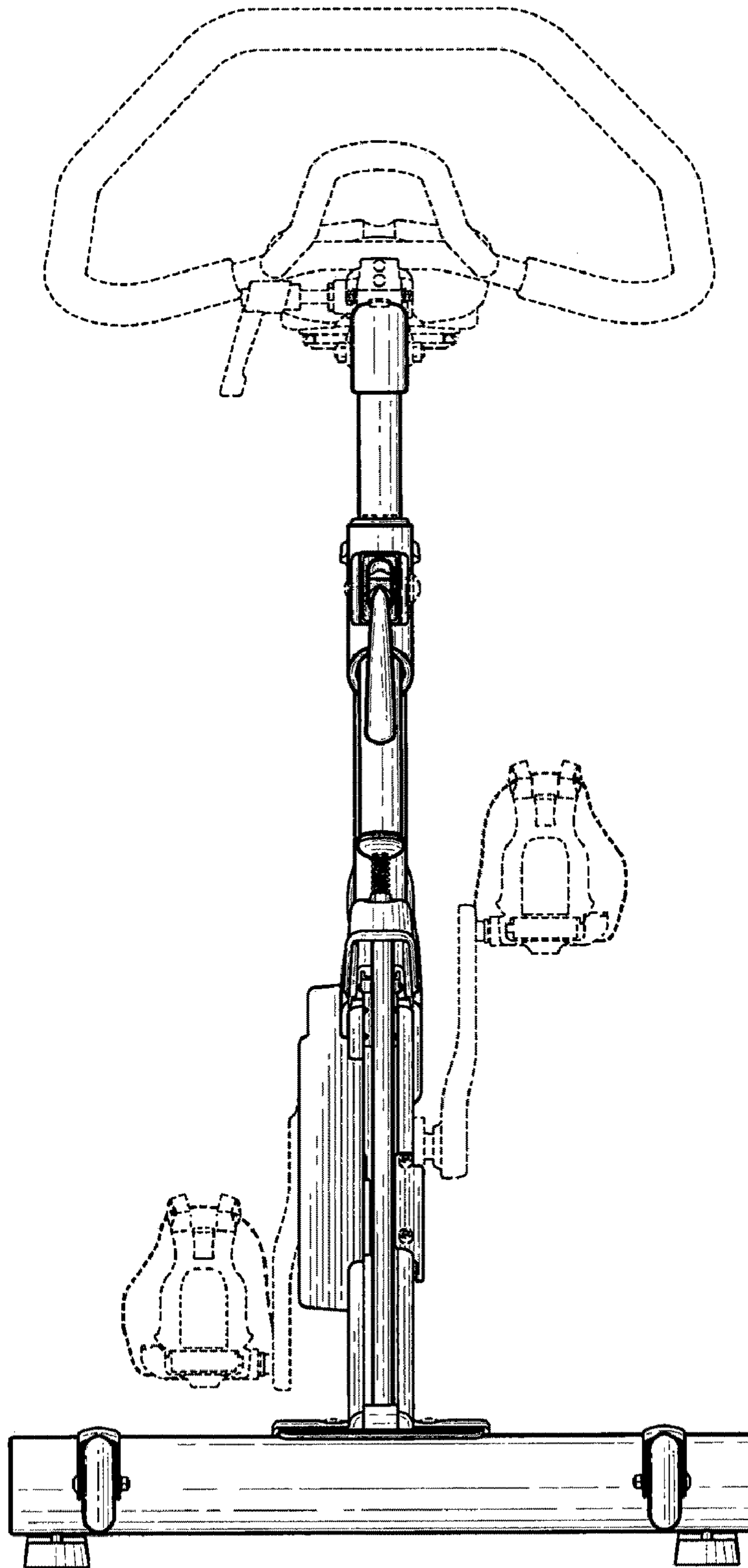


Fig. 11

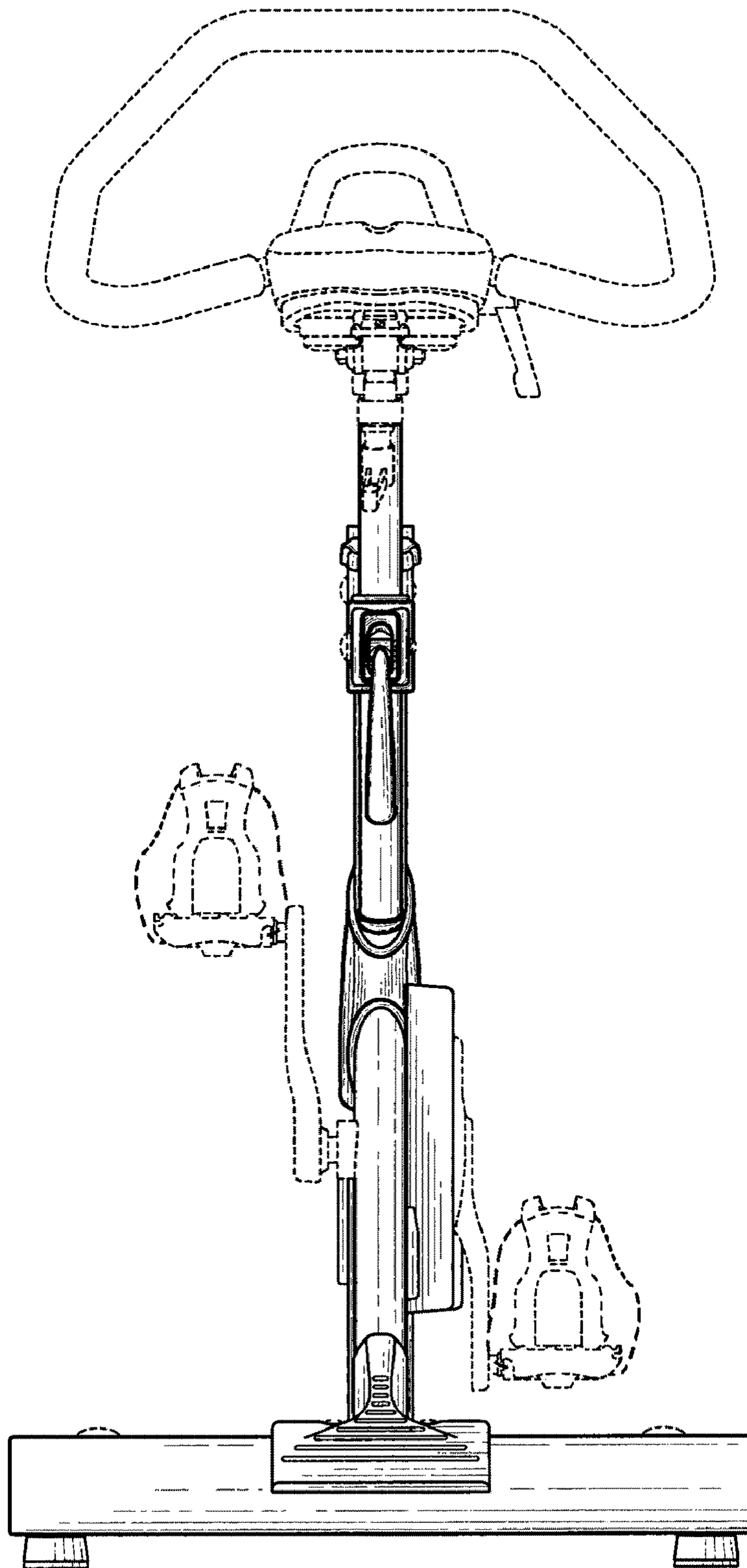


Fig. 12

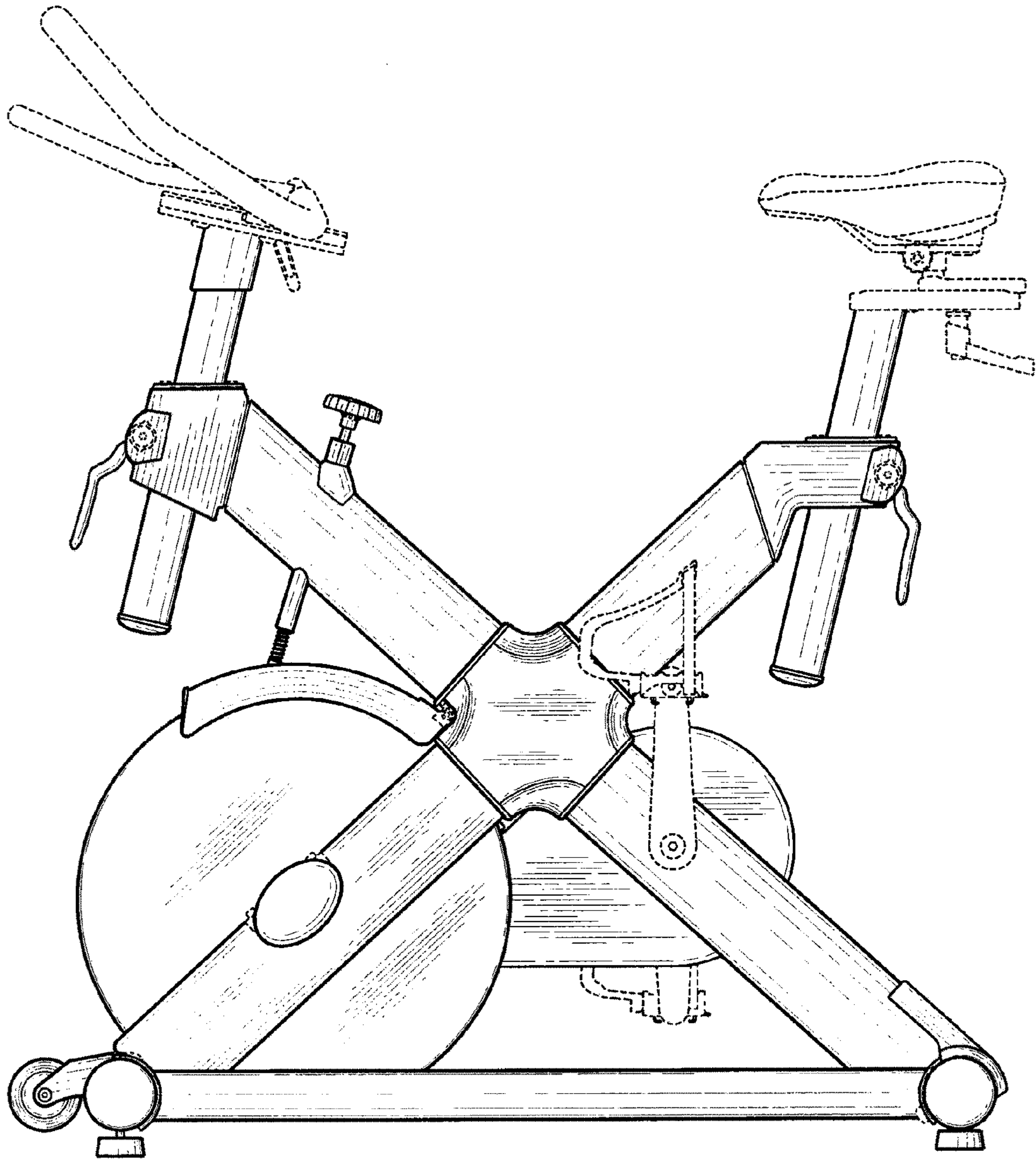


Fig. 13

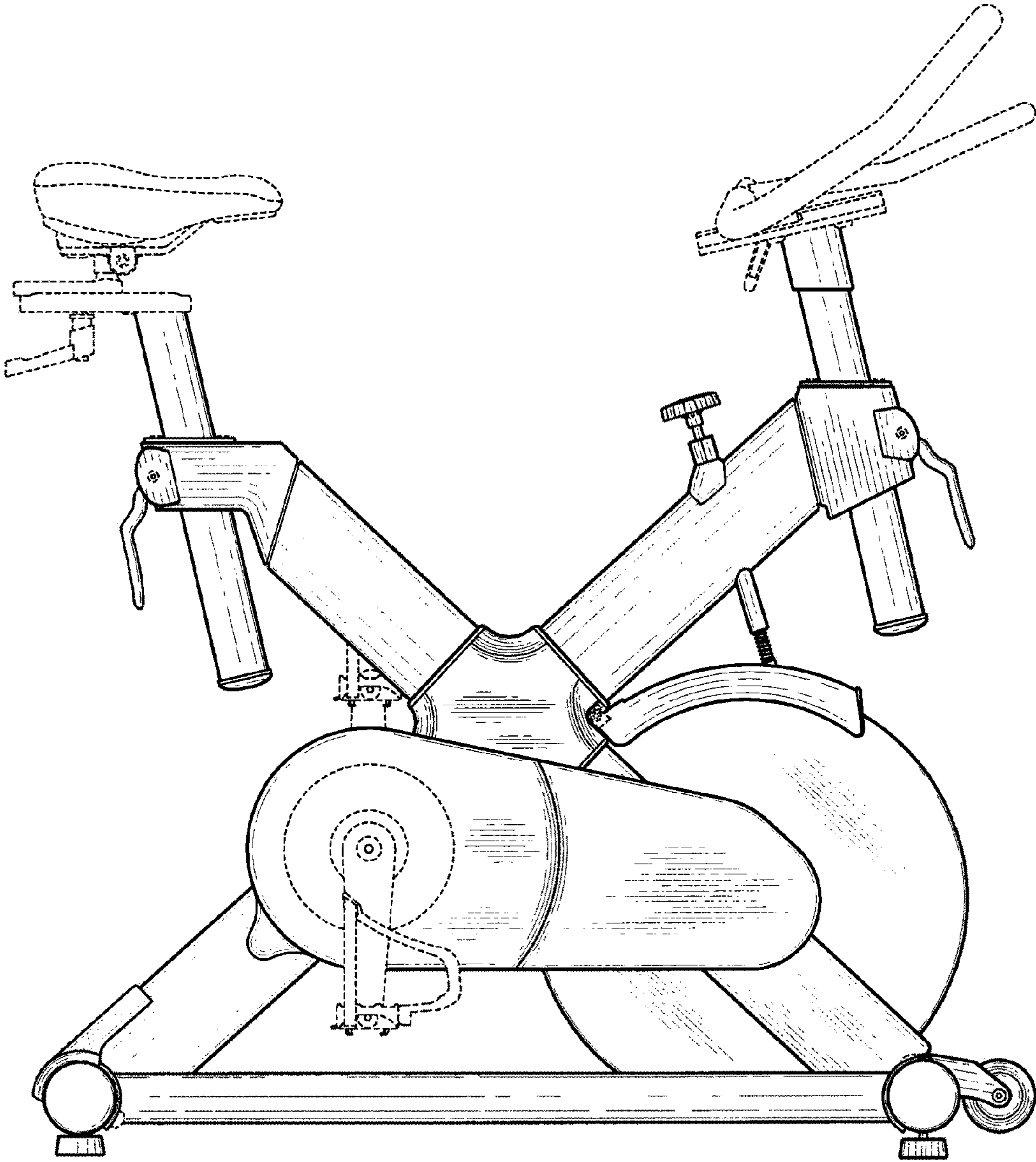


Fig. 14