



US00D579987S

(12) **United States Design Patent**
Hong

(10) **Patent No.:** **US D579,987 S**

(45) **Date of Patent:** **** Nov. 4, 2008**

(54) **PEDAL POWER SCOOTER**

(76) Inventor: **Jae Hyun Hong**, 16851 Knott Ave., La Mirada, CA (US) 90638

(**) Term: **14 Years**

(21) Appl. No.: **29/303,815**

(22) Filed: **Feb. 18, 2008**

(51) **LOC (8) Cl.** **21-01**

(52) **U.S. Cl.** **D21/423**

(58) **Field of Classification Search** D21/419,
D21/421, 423, 424, 426, 433, 435, 533, 538,
D21/760, 765, 771; D12/107, 111-113,
D12/114, 117, 118-121; 280/87.021, 87.041,
280/221, 239, 263, 282, 288.1-288.4; 180/180,
180/181

See application file for complete search history.

(56) **References Cited**

U.S. PATENT DOCUMENTS

2,723,131 A * 11/1955 McChesney, Jr. 280/221
D210,087 S * 2/1968 Higgins D21/423
6,572,128 B2 * 6/2003 Graf 280/221
6,857,648 B2 * 2/2005 Mehmet 280/221

7,044,488 B1 * 5/2006 Hamend 280/221
7,377,532 B2 * 5/2008 Bauce 280/221
2006/0103105 A1 * 5/2006 Fan 280/221
2008/0088109 A1 * 4/2008 Chiu et al. 280/221

* cited by examiner

Primary Examiner—Holly H. Baynham

Assistant Examiner—Cynthia M Chin

(74) *Attorney, Agent, or Firm*—Park Law Firm; John K. Park

(57) **CLAIM**

The ornamental design for a pedal power scooter, as shown and described.

DESCRIPTION

FIG. 1 is a perspective view of a pedal power scooter showing my new design;

FIG. 2 is a front elevational view thereof;

FIG. 3 is a rear plan view thereof;

FIG. 4 is a side elevational view thereof;

FIG. 5 is a top plan view thereof; and,

FIG. 6 is a bottom plan view thereof.

1 Claim, 6 Drawing Sheets

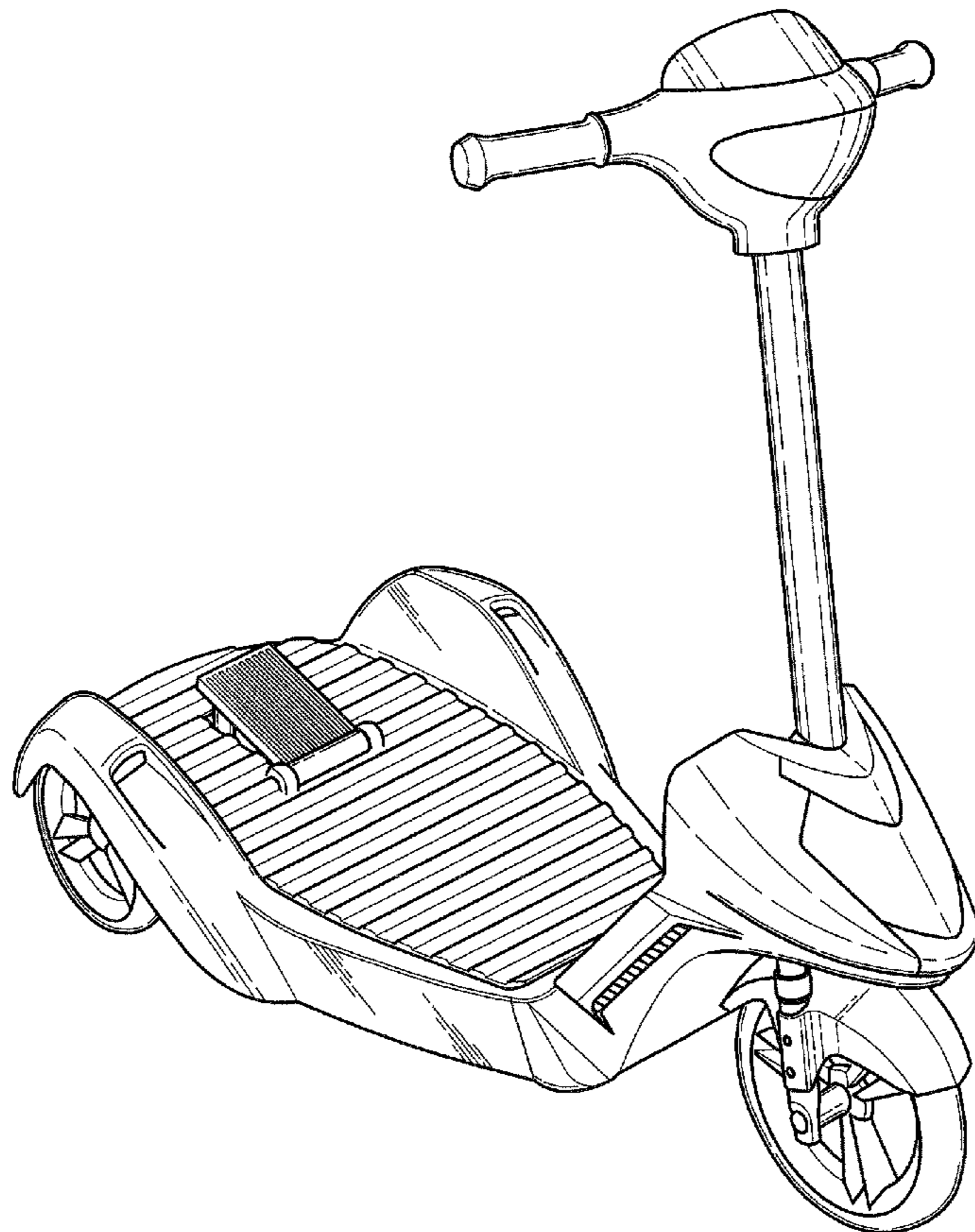


FIG. 1

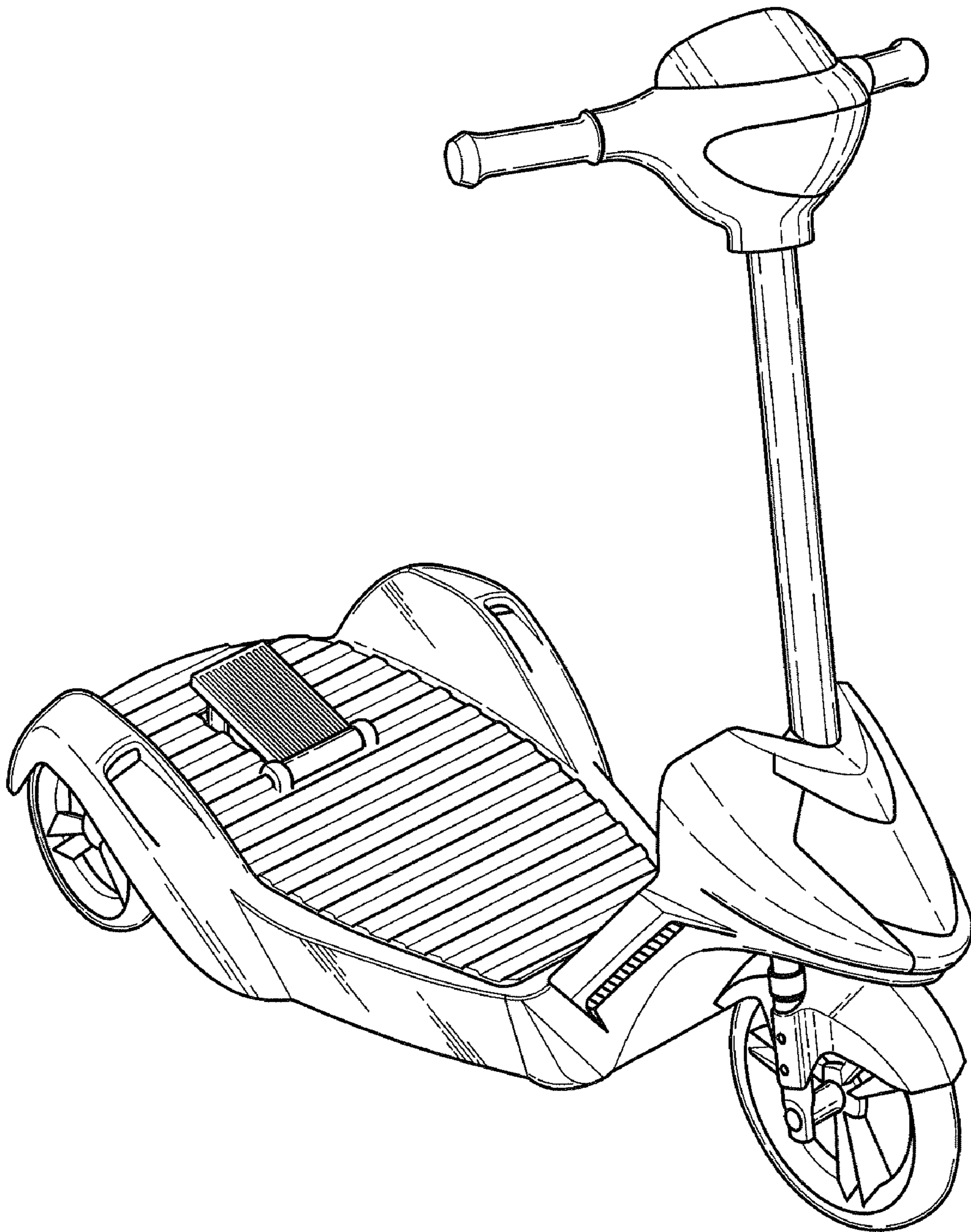


FIG. 2

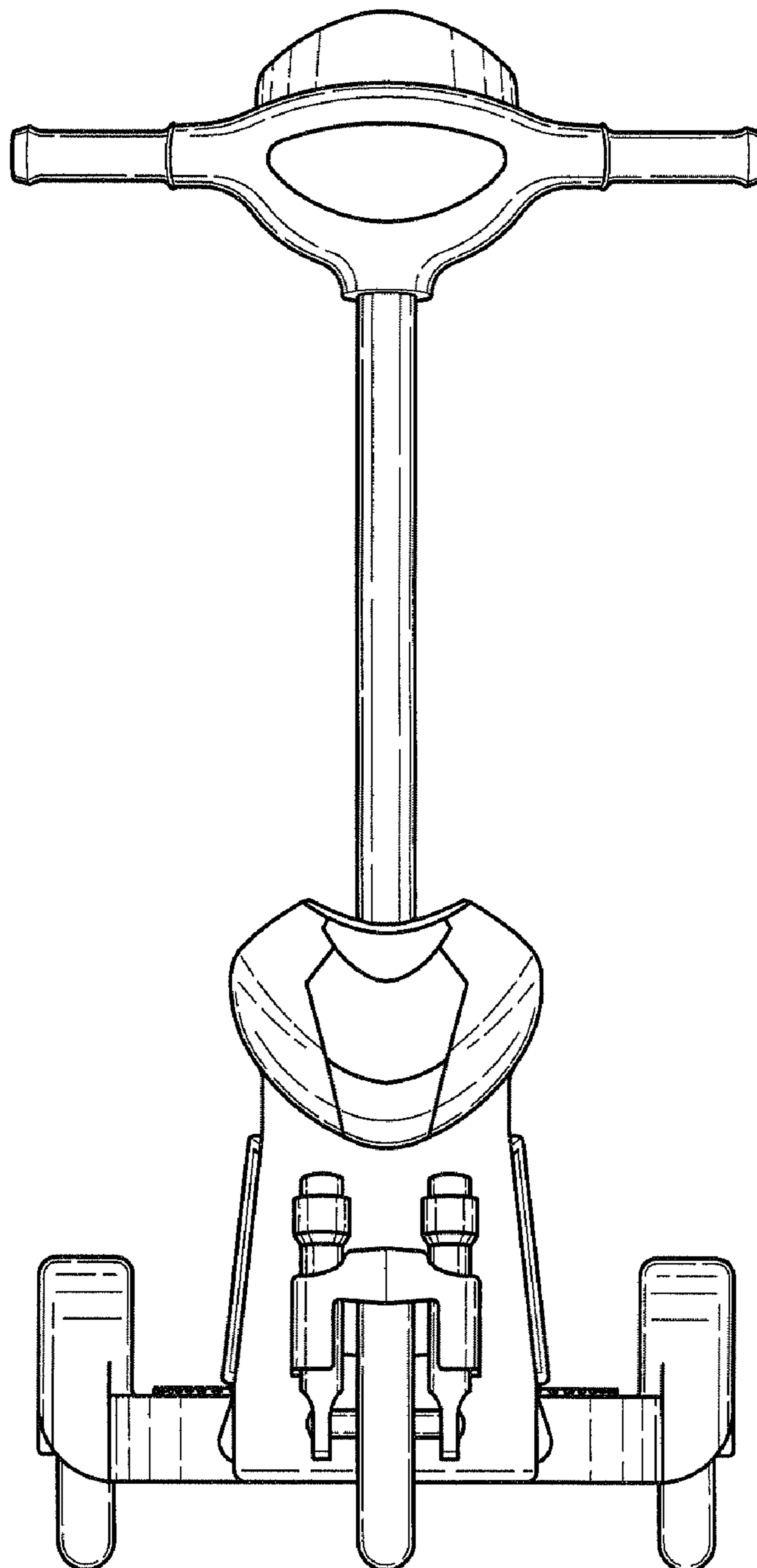


FIG. 3

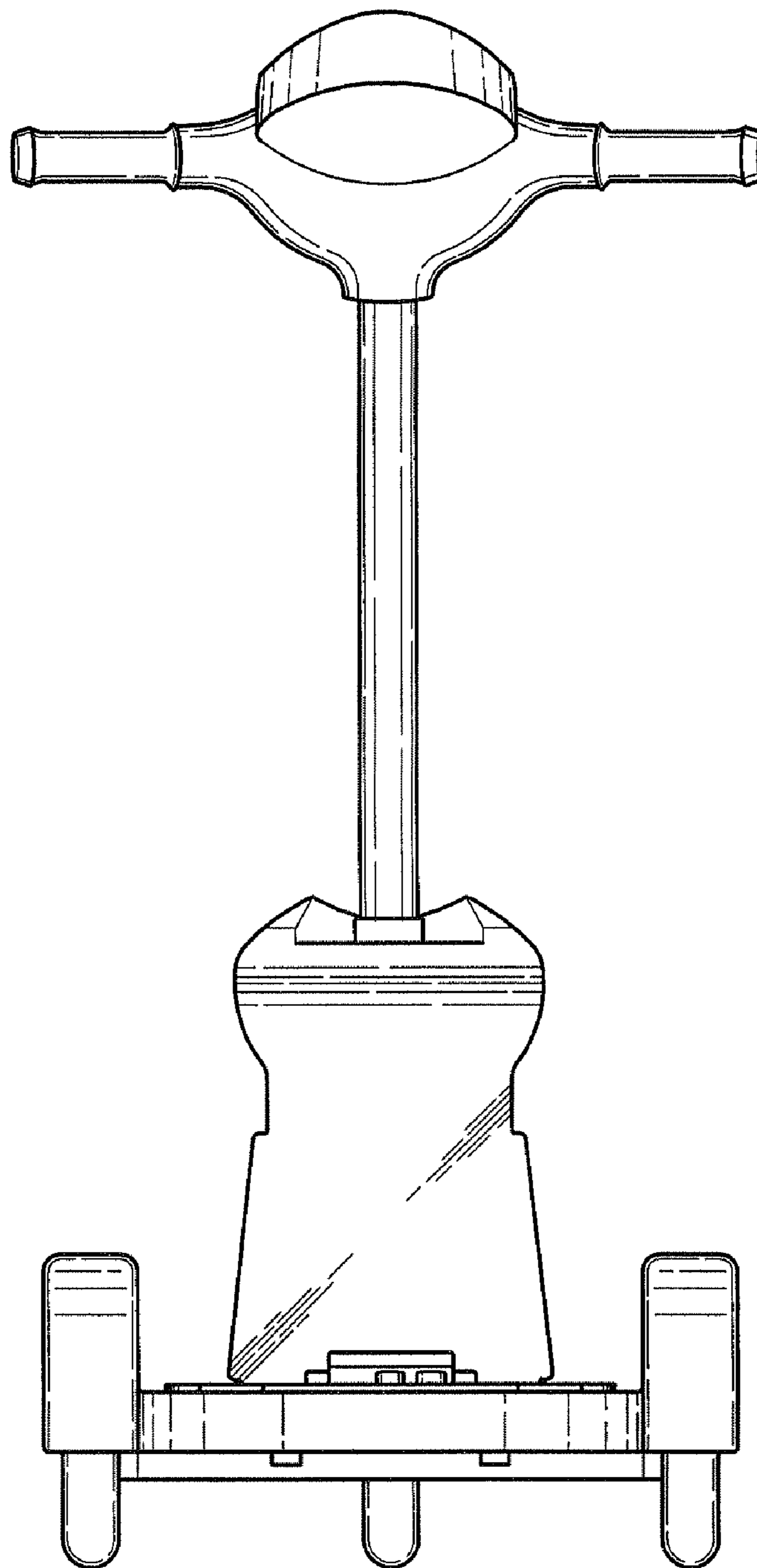


FIG. 4

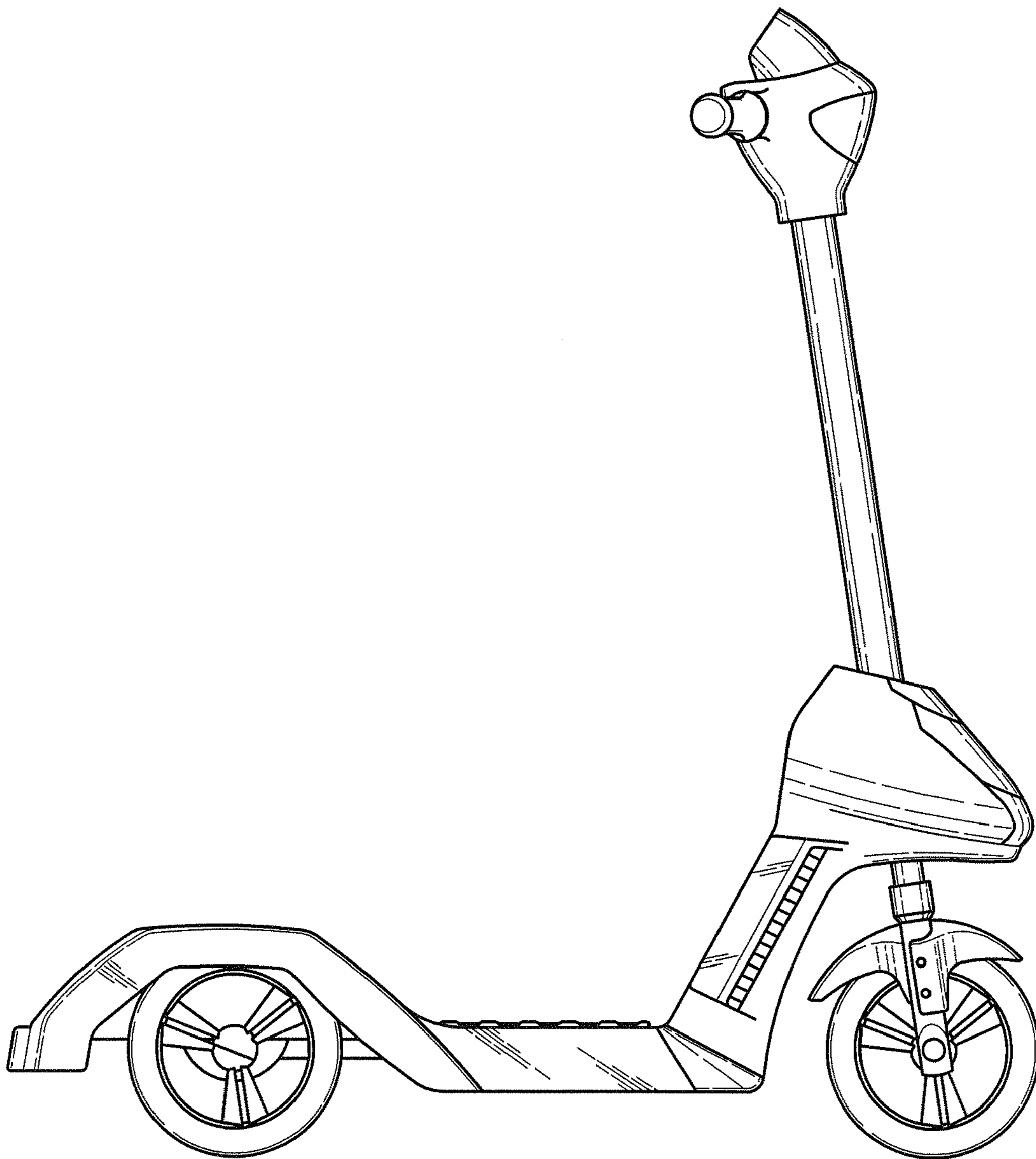


FIG. 5

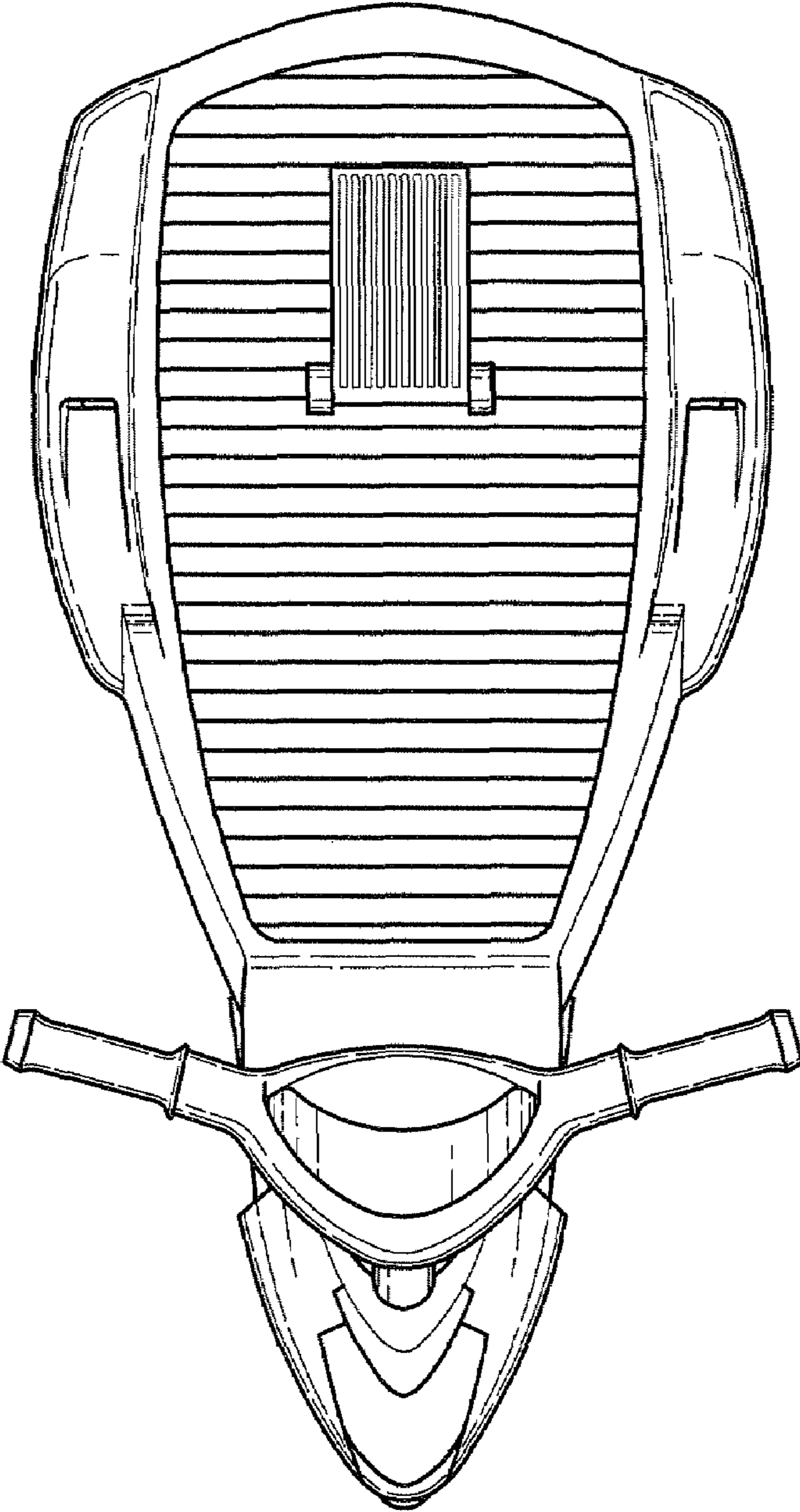


FIG. 6

