



US00D579986S

(12) **United States Design Patent**
Walsh

(10) **Patent No.:** **US D579,986 S**
(45) **Date of Patent:** **** Nov. 4, 2008**

(54) **INDICIA DISPLAYING DEVICE FOR NOISE MAKING**

(76) Inventor: **Susan P. Walsh**, 20539 Woodcreek Blvd., Northville, MI (US) 48167

(**) Term: **14 Years**

(21) Appl. No.: **29/302,374**

(22) Filed: **Jan. 15, 2008**

(51) **LOC (8) Cl.** **21-01**

(52) **U.S. Cl.** **D21/405; D17/22**

(58) **Field of Classification Search** D21/405, D21/406; D17/22, 99; D20/10, 12, 19, 29, D20/41, 42, 99; D10/109, 116, 121; 446/408, 446/418-422; 84/402-421; 40/584, 586; 984/151, 154; 116/693 P, 306, 148, 171, 116/173

See application file for complete search history.

(56) **References Cited**

U.S. PATENT DOCUMENTS

1,567,803 A	12/1925	Ludwig	
D73,752 S	11/1927	Marks	
1,711,309 A *	4/1929	Escovar	446/421
2,678,517 A	5/1954	Gibson	
2,713,805 A *	7/1955	Flores	84/402
3,170,360 A *	2/1965	Miettinen	84/402
D211,964 S	8/1968	Valente	
3,909,977 A *	10/1975	Kirk	446/418
4,150,602 A	4/1979	Santiago, Sr.	
D254,976 S	5/1980	Valente	
4,269,105 A	5/1981	Salmon	
4,976,651 A *	12/1990	Frank	446/421
D318,695 S *	7/1991	Rosa	D21/405

5,377,575 A	1/1995	Huth, III	
D386,779 S	11/1997	Burgos	
5,984,761 A *	11/1999	Kalinowski	446/421
D444,168 S	6/2001	Plake	
6,316,709 B1 *	11/2001	Nanberg et al.	84/422.4
D473,259 S	4/2003	Izen et al.	
D508,183 S *	8/2005	Lambden et al.	D6/601
2007/0028747 A1 *	2/2007	Ledgar	84/411 R

* cited by examiner

Primary Examiner—Catherine Tuttle

(74) *Attorney, Agent, or Firm*—Harness, Dickey & Pierce, P.L.C.

(57) **CLAIM**

The ornamental design for an indicia displaying device for noise making, as shown and described.

DESCRIPTION

FIG. 1 is a front perspective view of an indicia displaying device for noise making showing my new design;

FIG. 2 is a back perspective view thereof;

FIG. 3 is a front elevational view thereof;

FIG. 4 is a back elevational view thereof;

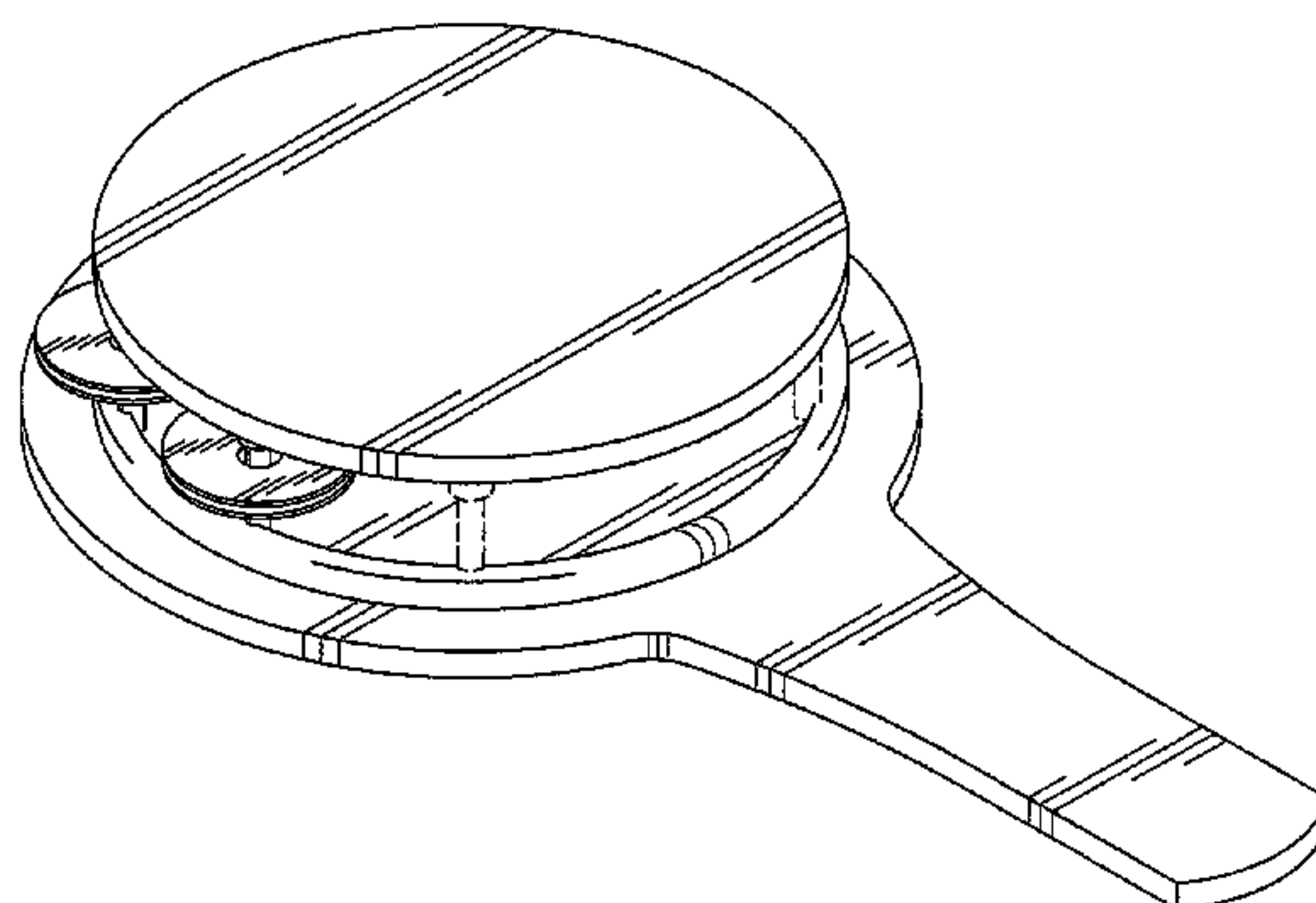
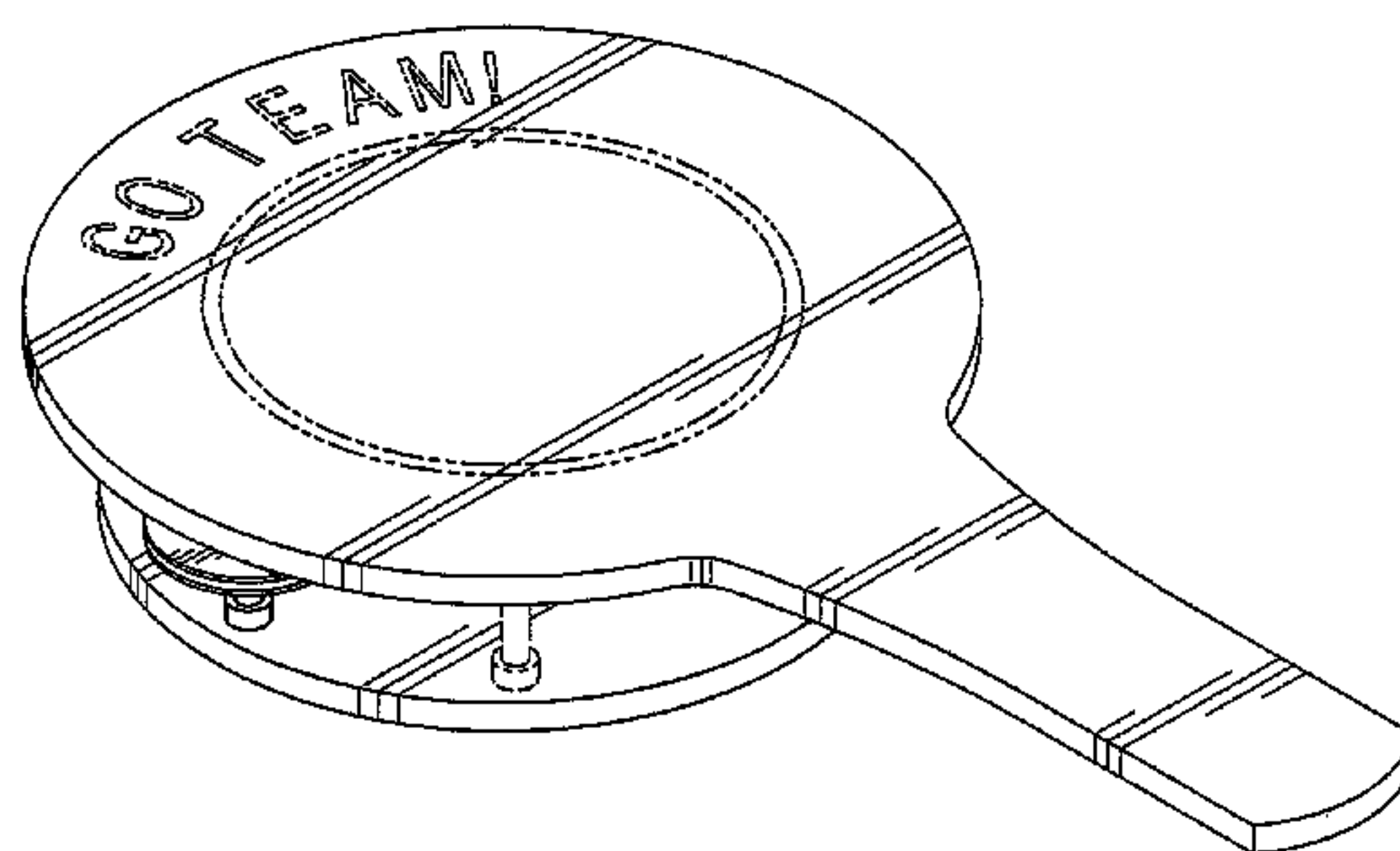
FIG. 5 is a left side elevational view thereof, the right side elevational view being a mirror image of the side shown;

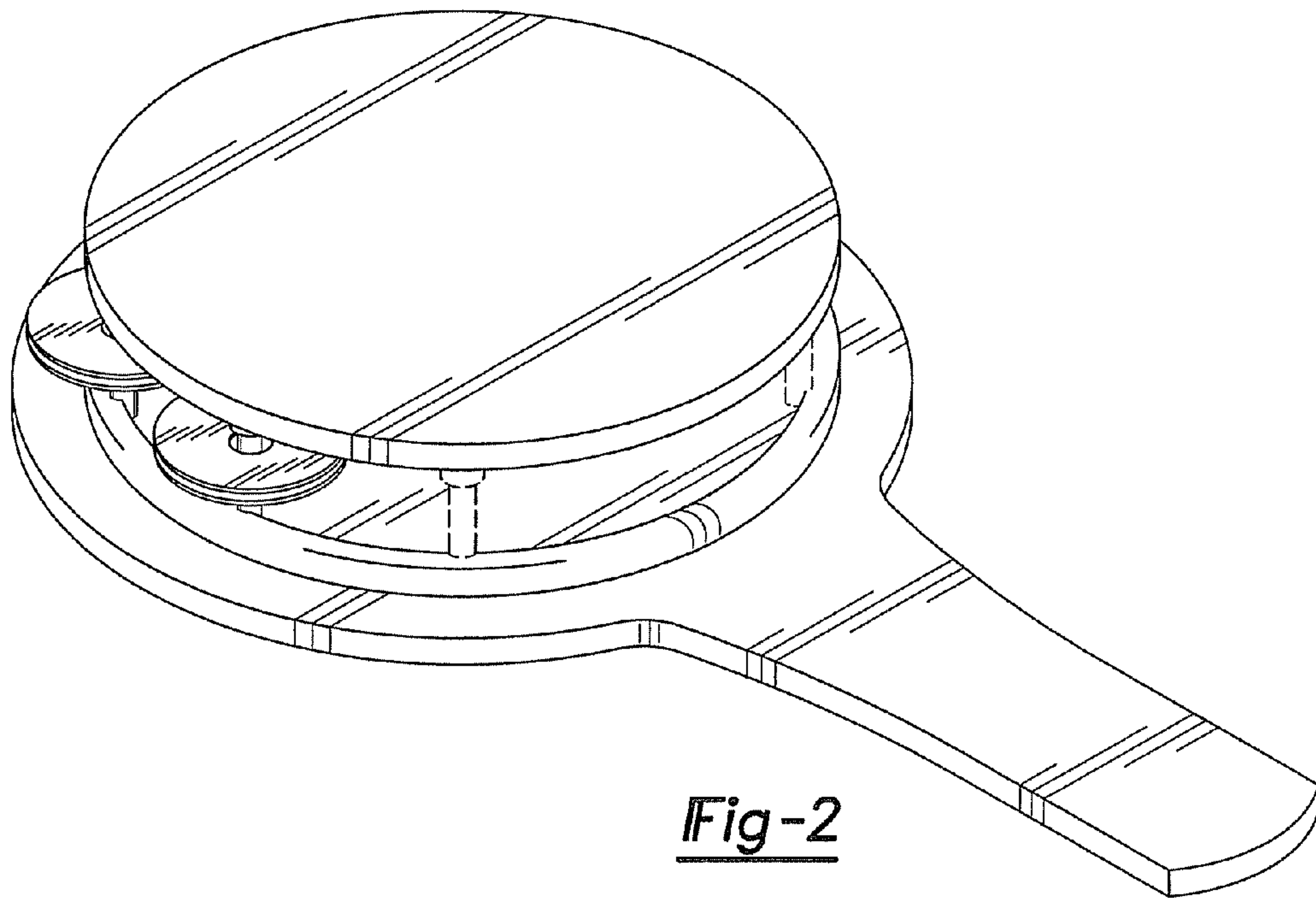
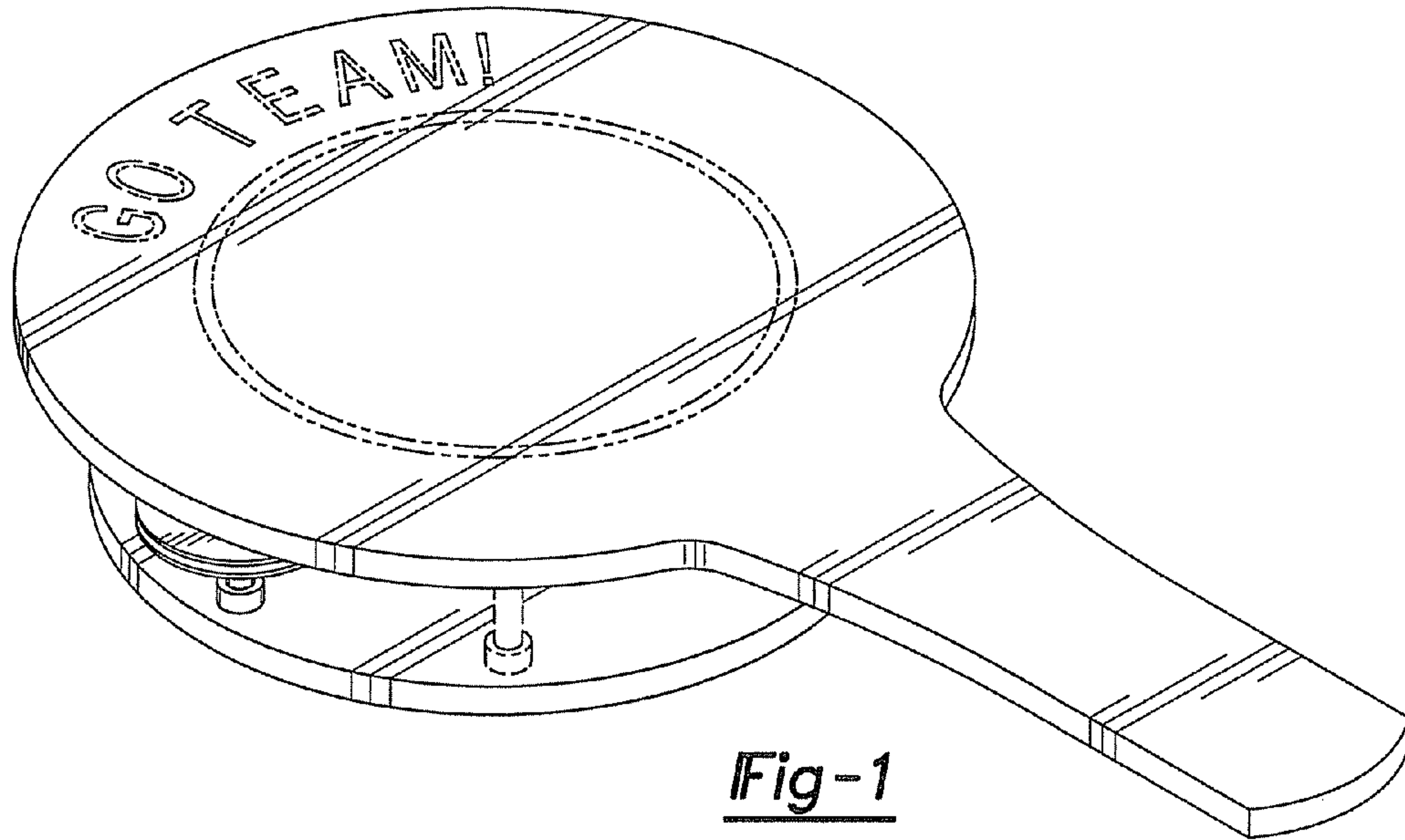
FIG. 6 is a top plan view thereof; and,

FIG. 7 is a bottom plan view thereof.

The broken lines are included for the purpose of illustrating portions of the article and surface indicia that form no part of the claimed design.

1 Claim, 5 Drawing Sheets





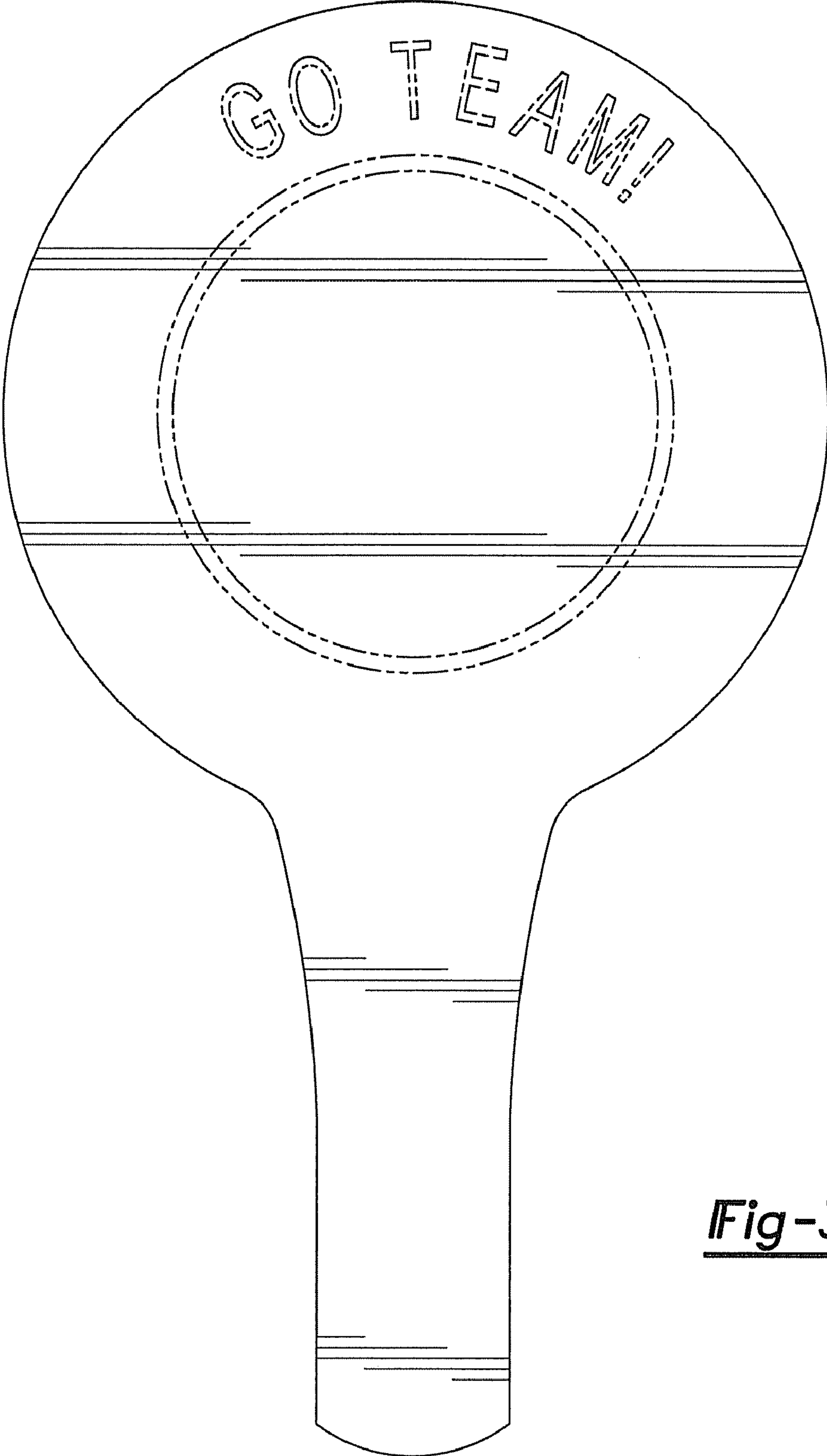


Fig-3

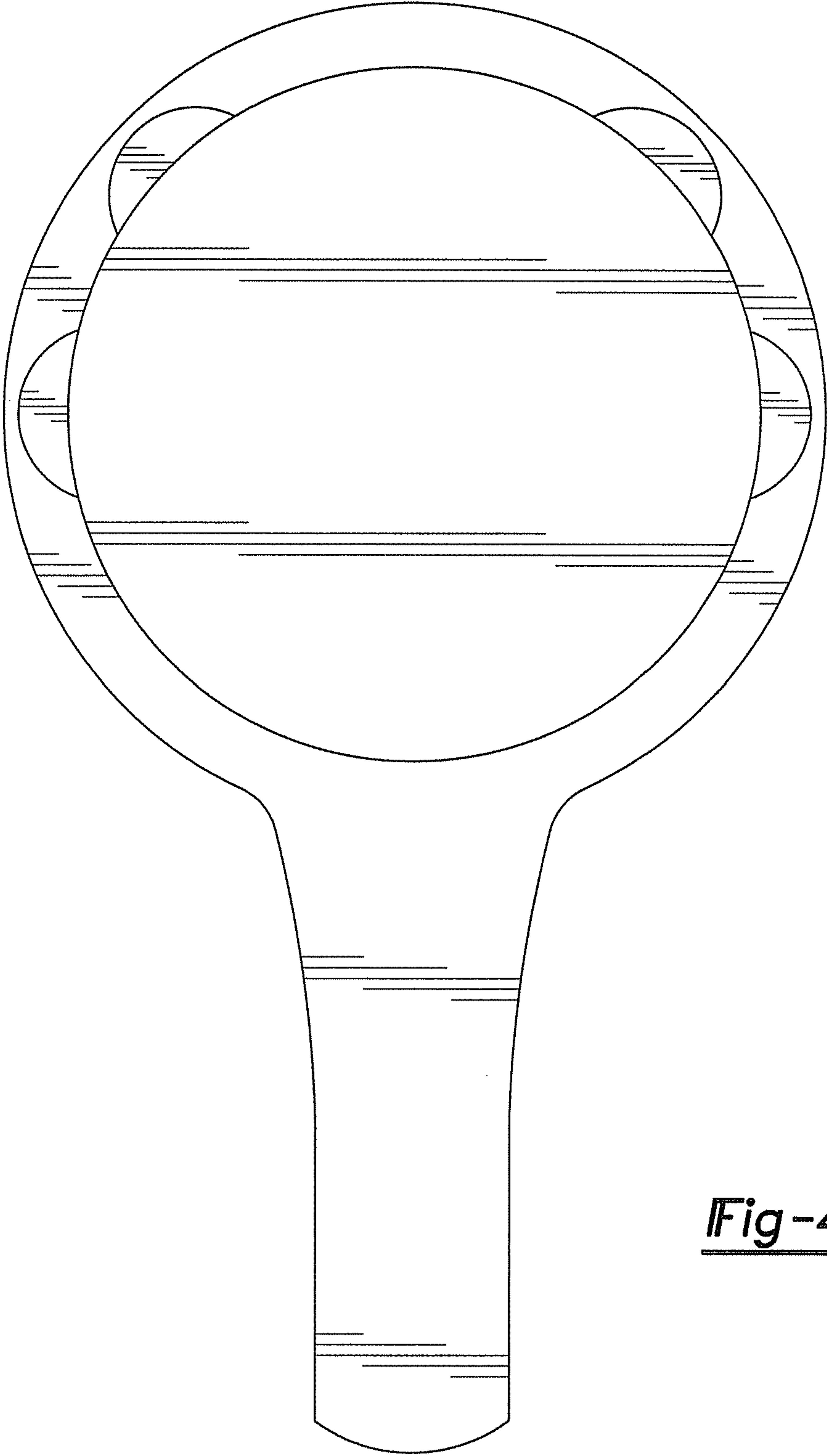


Fig-4

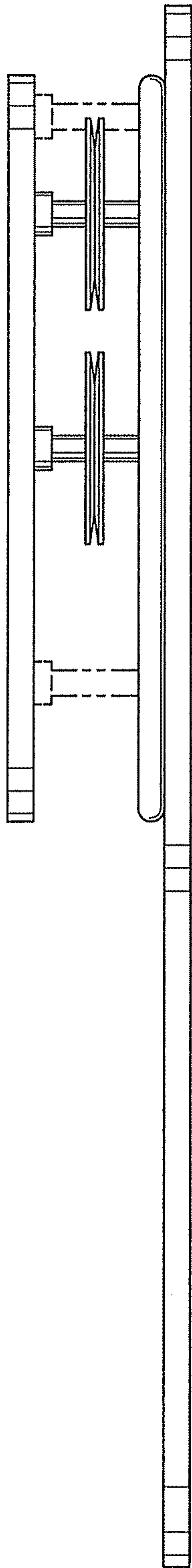


Fig-5

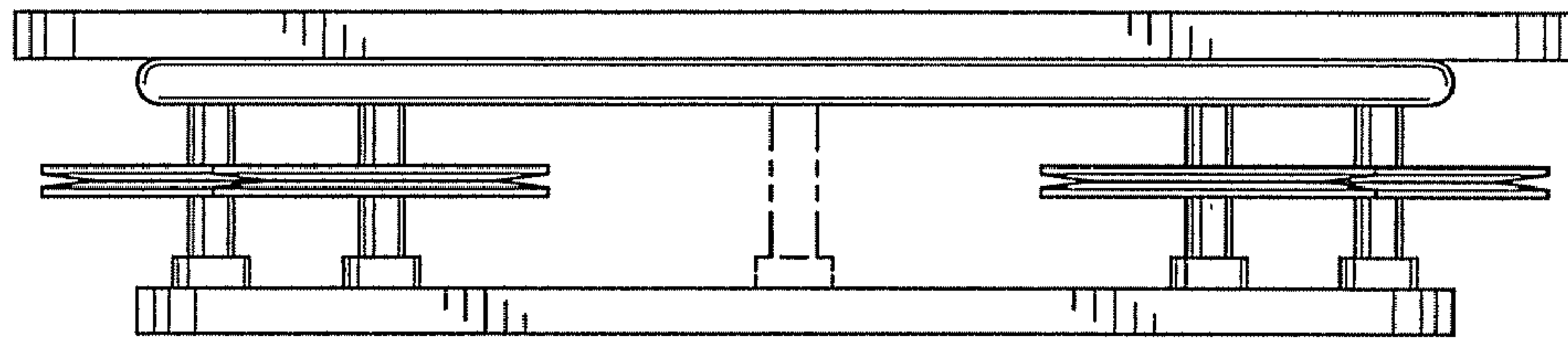


Fig-6

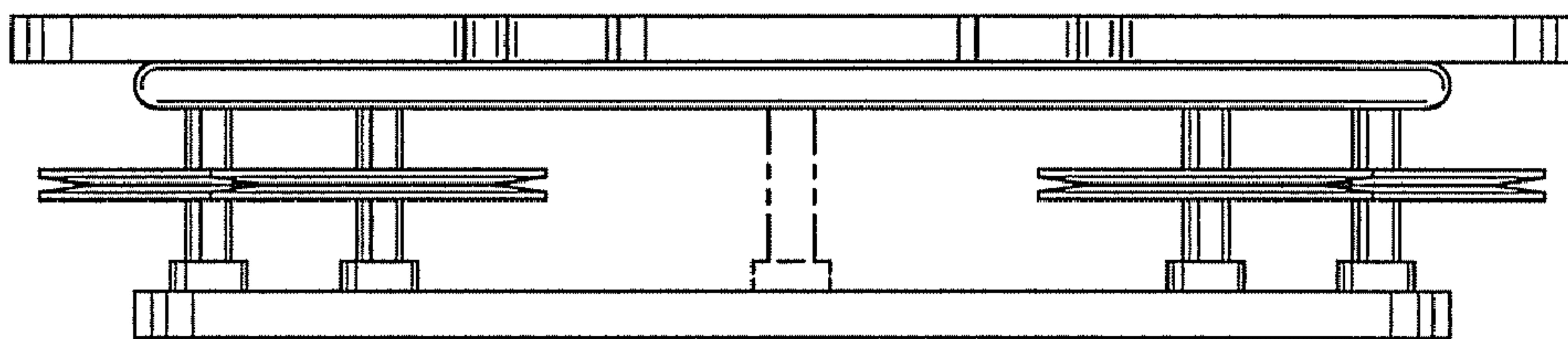


Fig-7