



US00D579984S

(12) **United States Design Patent**
Bruegmann et al.

(10) **Patent No.:** **US D579,984 S**

(45) **Date of Patent:** **** Nov. 4, 2008**

(54) **HINGED LABEL HOLDER**

(75) Inventors: **Malte Bruegmann**, Houston, TX (US);
Donald Raymond Jett, Jr., Cypress, TX (US)

(73) Assignee: **Cytex Plastics, Inc.**, Houston, TX (US)

(**) Term: **14 Years**

(21) Appl. No.: **29/279,284**

(22) Filed: **Apr. 25, 2007**

(51) **LOC (8) Cl.** **20-03**

(52) **U.S. Cl.** **D20/43**

(58) **Field of Classification Search** D20/10,
D20/42-44, 99; D8/349; 40/124.05, 309,
40/316, 360, 640.02, 644, 653, 654, 654.01,
40/658, 661, 661.03, 662, 666

See application file for complete search history.

(56) **References Cited**

U.S. PATENT DOCUMENTS

D62,481 S	6/1923	Fogarty	
2,895,241 A	7/1959	Ferdinand et al.	
D189,147 S	11/1960	Hinchcliffe	
3,164,354 A	1/1965	Murdock	
3,168,954 A	2/1965	Von Hermann	
D209,071 S	10/1967	Koch	
D221,854 S	9/1971	Dowdell, Jr. et al.	
D261,013 S *	9/1981	DeMars	D20/42
D291,097 S	7/1987	Dalbey et al.	
D306,878 S *	3/1990	Crowley	D20/43
5,044,104 A	9/1991	Hopperdietzel	
5,419,066 A	5/1995	Harnois et al.	
D370,355 S	6/1996	Kenney	
5,899,011 A	5/1999	Brinkman	
6,026,603 A	2/2000	Kump et al.	

(Continued)

Primary Examiner—Caron D. Veynar
Assistant Examiner—Mary Ann Calabrese

(74) *Attorney, Agent, or Firm*—Locke Lord Bissell & Liddell, LLP

(57) **CLAIM**

The ornamental design for a hinged label holder, as shown and described.

DESCRIPTION

FIG. 1 is a perspective view of our new hinged label holder; FIG. 2 is a rear elevational view of the label holder shown in FIG. 1;

FIG. 3 is a right side elevational view of the label holder shown in FIG. 1;

FIG. 4 is a bottom plan view of the label holder shown in FIG. 1;

FIG. 5 is a top plan view of the label holder shown in FIG. 1;

FIG. 6 is a front elevational view of the label holder shown in FIG. 1;

FIG. 7 is a left side elevational view of the label holder shown in FIG. 1;

FIG. 8 is a perspective view of an alternate embodiment of our new hinged label holder;

FIG. 9 is a rear elevational view of the label holder shown in FIG. 8;

FIG. 10 is a right side elevational view of the label holder shown in FIG. 8;

FIG. 11 is a bottom plan view of the label holder shown in FIG. 8;

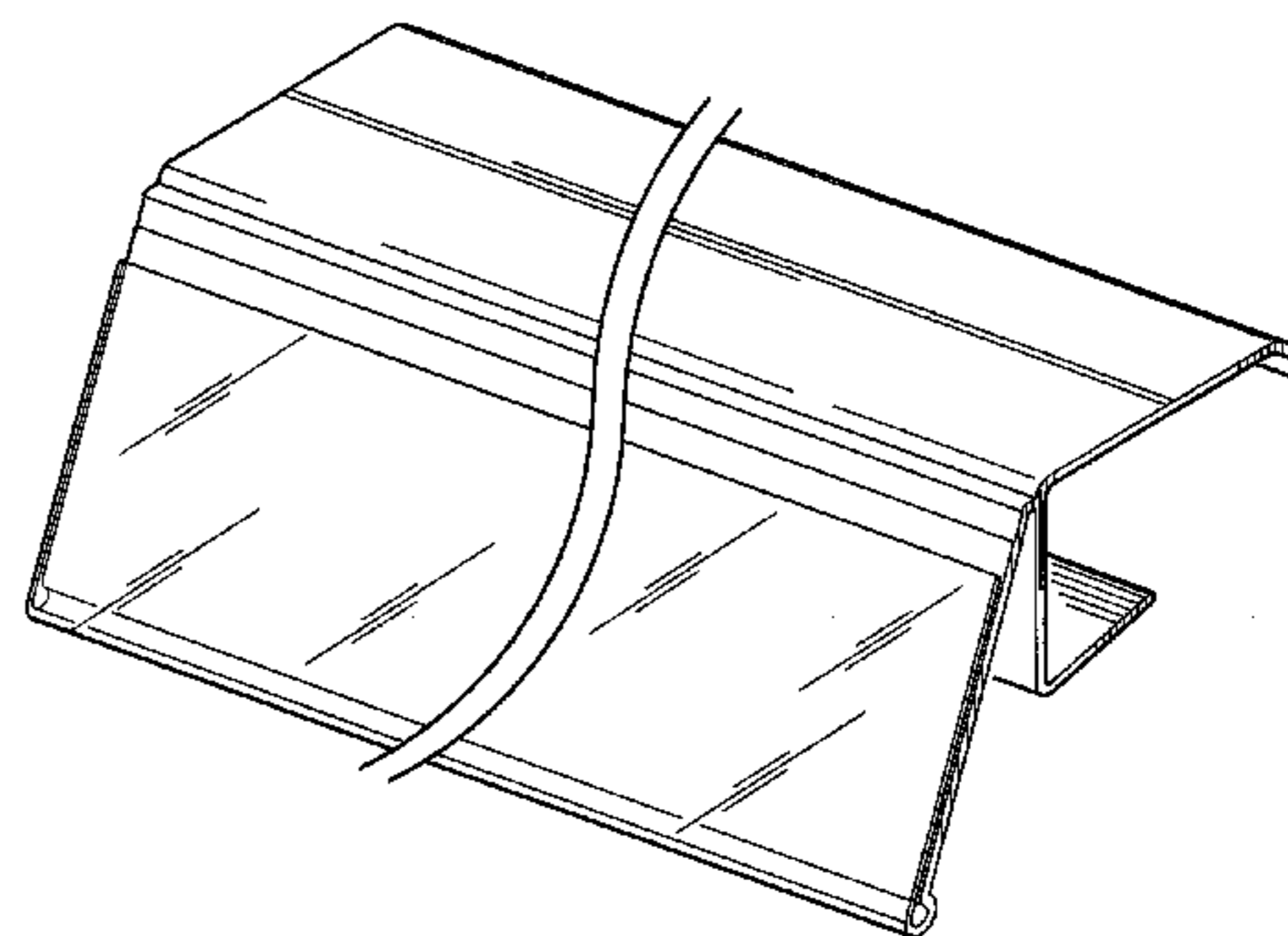
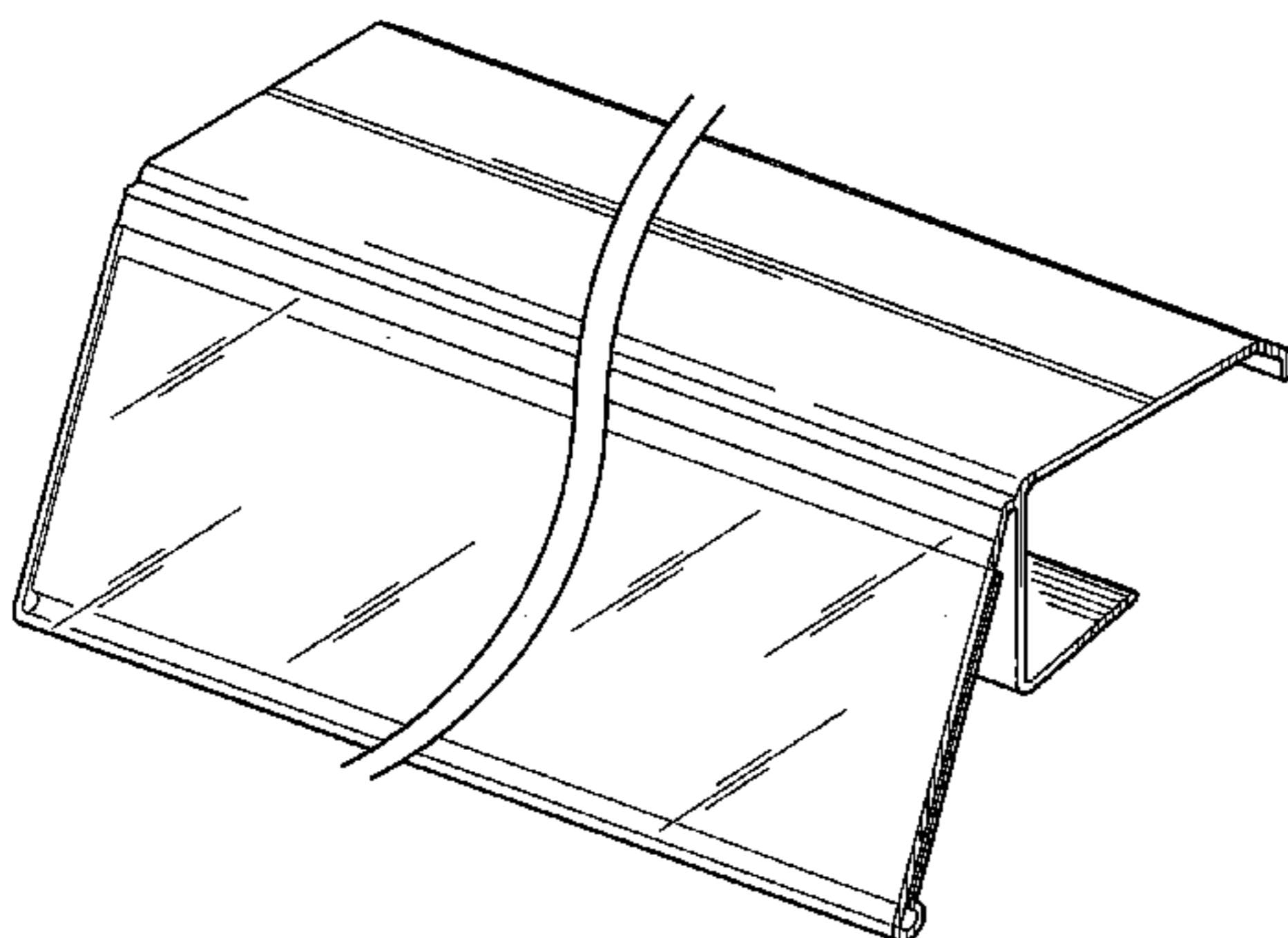
FIG. 12 is a top plan view of the label holder shown in FIG. 8;

FIG. 13 is a front elevational view of the label holder shown in FIG. 8; and,

FIG. 14 is a left side elevational view of the label holder shown in FIG. 8.

The break lines shown in FIGS. 1, 2, 4, 5, 6, 8, 9, 11, 12 and 13 indicate the hinged label holder has no specific length and form no part of the claimed design.

1 Claim, 4 Drawing Sheets



US D579,984 S

Page 2

U.S. PATENT DOCUMENTS

D425,939 S *	5/2000	Kump et al.	D20/43	D485,582 S *	1/2004	Valiulis	D20/44
6,105,295 A	8/2000	Brinkman et al.		6,688,567 B2	2/2004	Fast et al.	
6,145,232 A	11/2000	Bevins		6,708,436 B2	3/2004	Nagel	
6,226,910 B1	5/2001	Ireland		6,862,826 B2	3/2005	Lowry et al.	
D443,311 S	6/2001	Wildrick		6,898,885 B1	5/2005	Nagel	
6,263,603 B1	7/2001	Wildrick		D510,603 S *	10/2005	Lowry	D20/44
D453,535 S	2/2002	Wingerei et al.		D513,041 S *	12/2005	Lowry	D20/44
D454,163 S	3/2002	Nagel		6,971,201 B2	12/2005	Brinkman et al.	
6,357,154 B1	3/2002	Pfendler et al.		D513,769 S *	1/2006	Lowry	D20/44
6,470,613 B1	10/2002	Wildrick		D514,166 S *	1/2006	Brinkman	D20/44
D470,893 S *	2/2003	Valiulis et al.	D20/44	D516,633 S *	3/2006	Kosir	D20/44
6,568,113 B1	5/2003	Valiulis		D531,227 S	10/2006	Mueller et al.	
D480,434 S	10/2003	Brinkman et al.		D573,656 S *	7/2008	Wamsley	D20/43
6,665,971 B2	12/2003	Lowry et al.		2005/0166438 A1	8/2005	Mueller et al.	
				2006/0075670 A1 *	4/2006	Brinkman	40/666

* cited by examiner

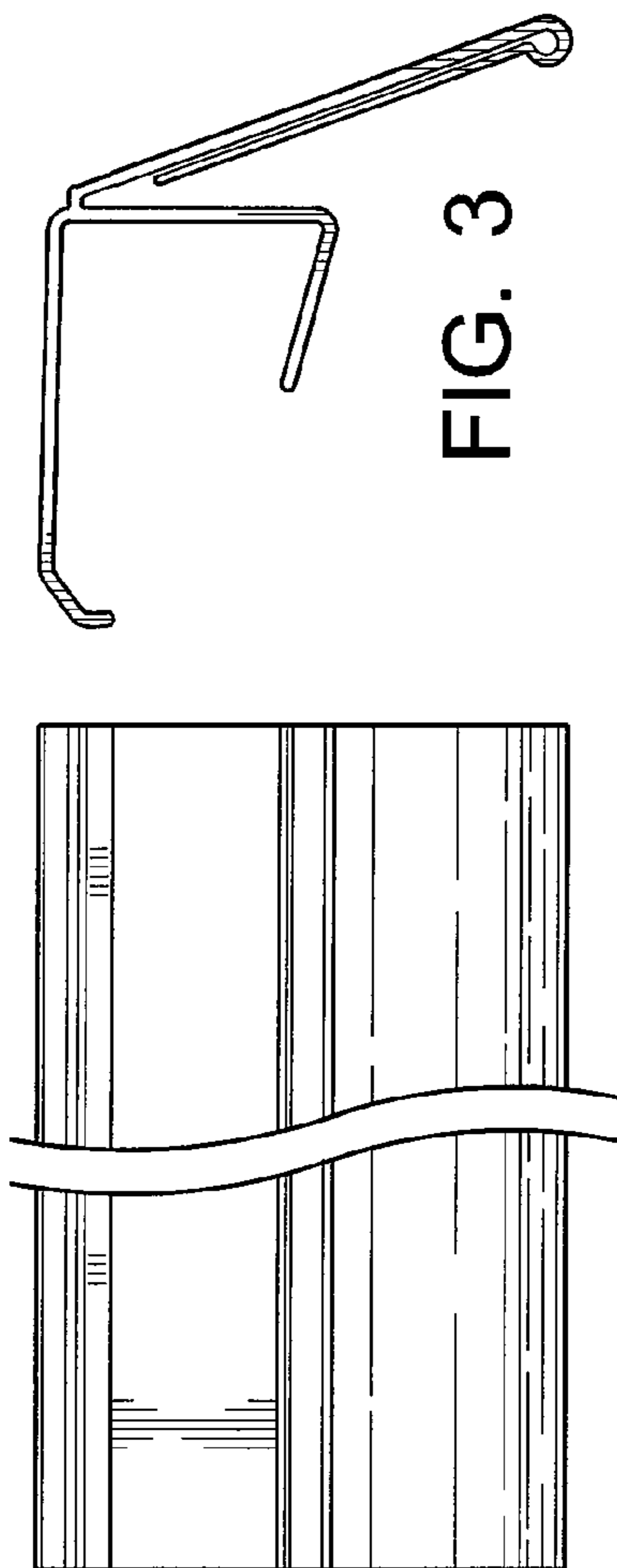


FIG. 1

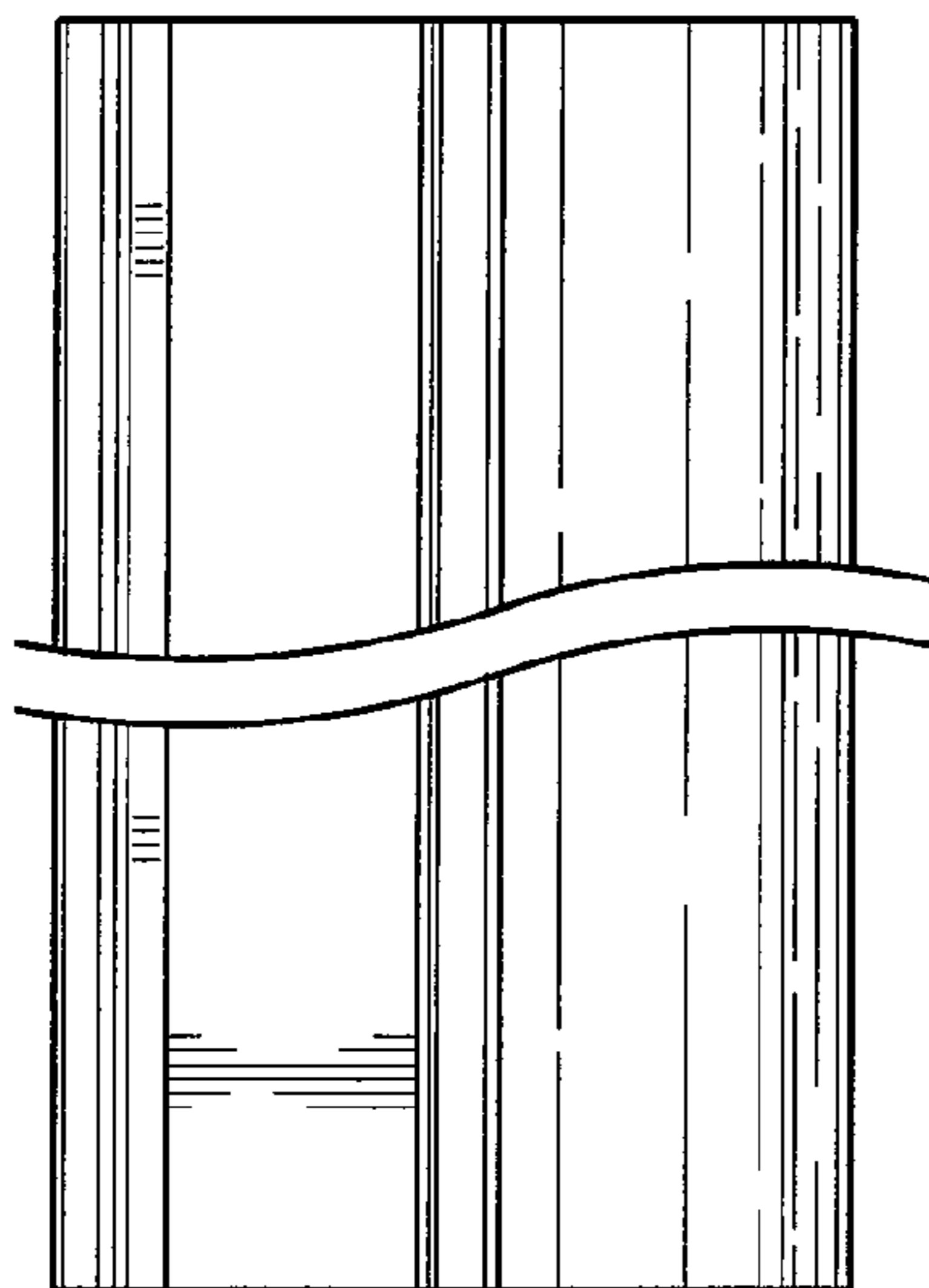


FIG. 2

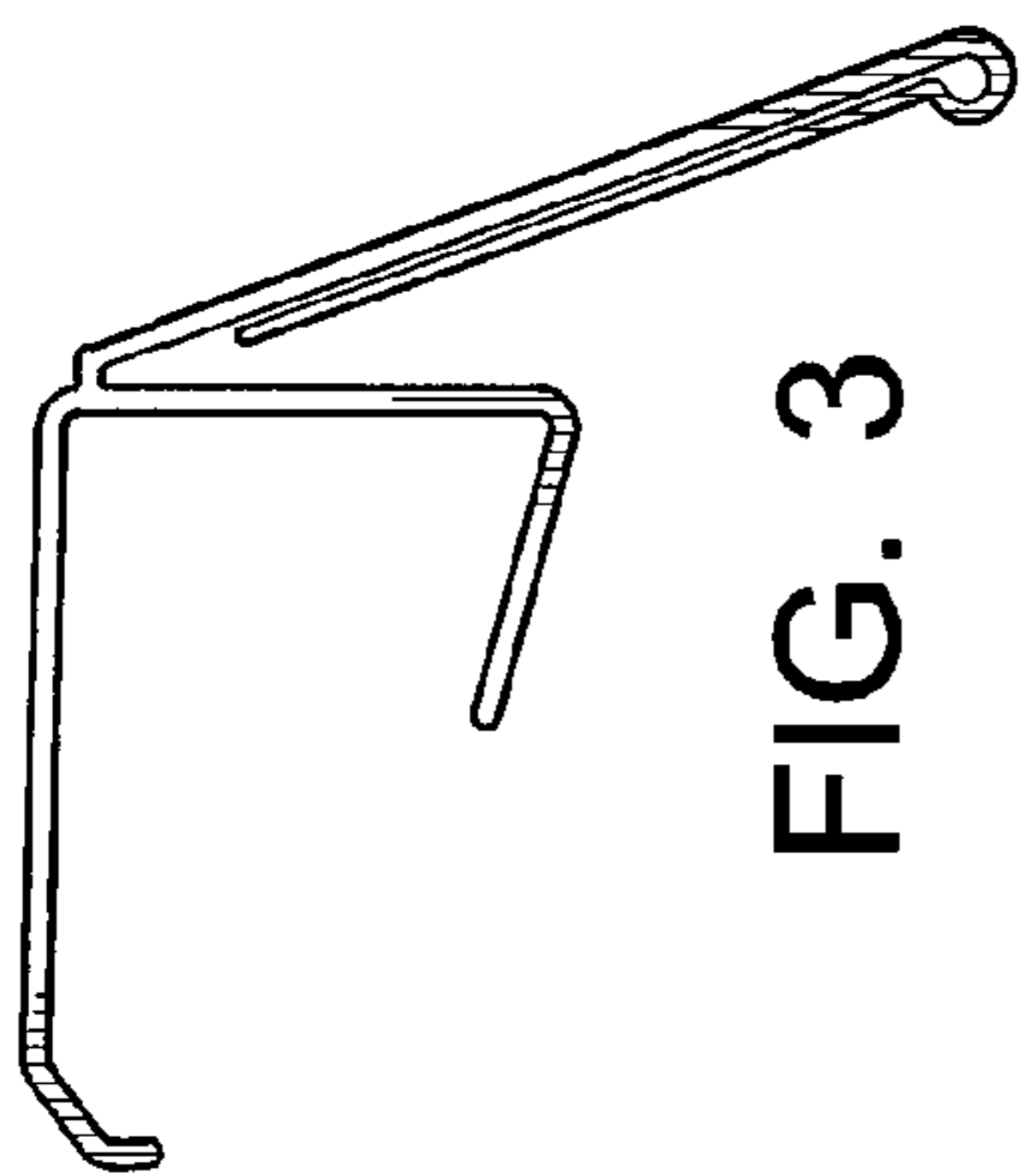


FIG. 3

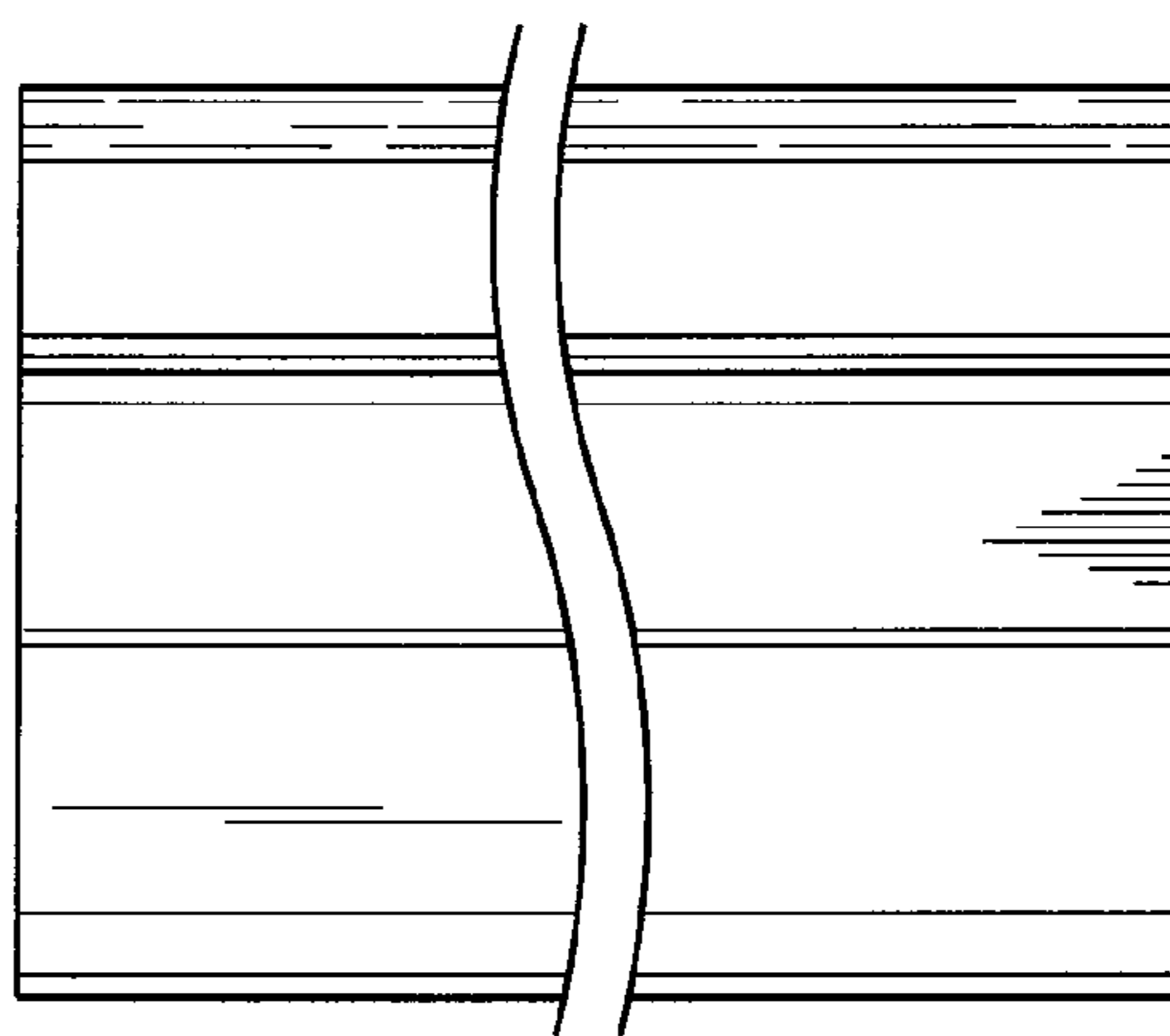


FIG. 4

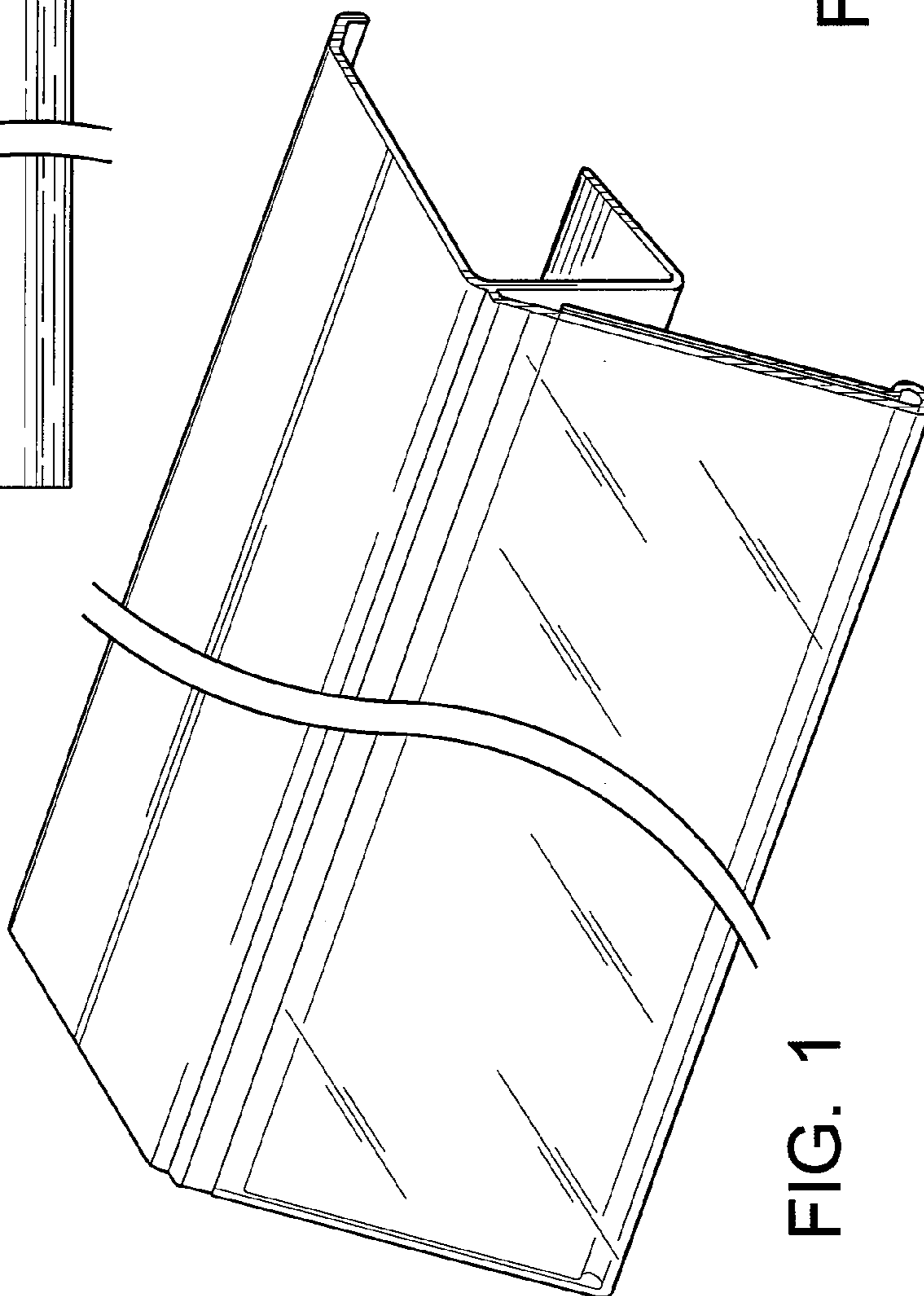


FIG. 1

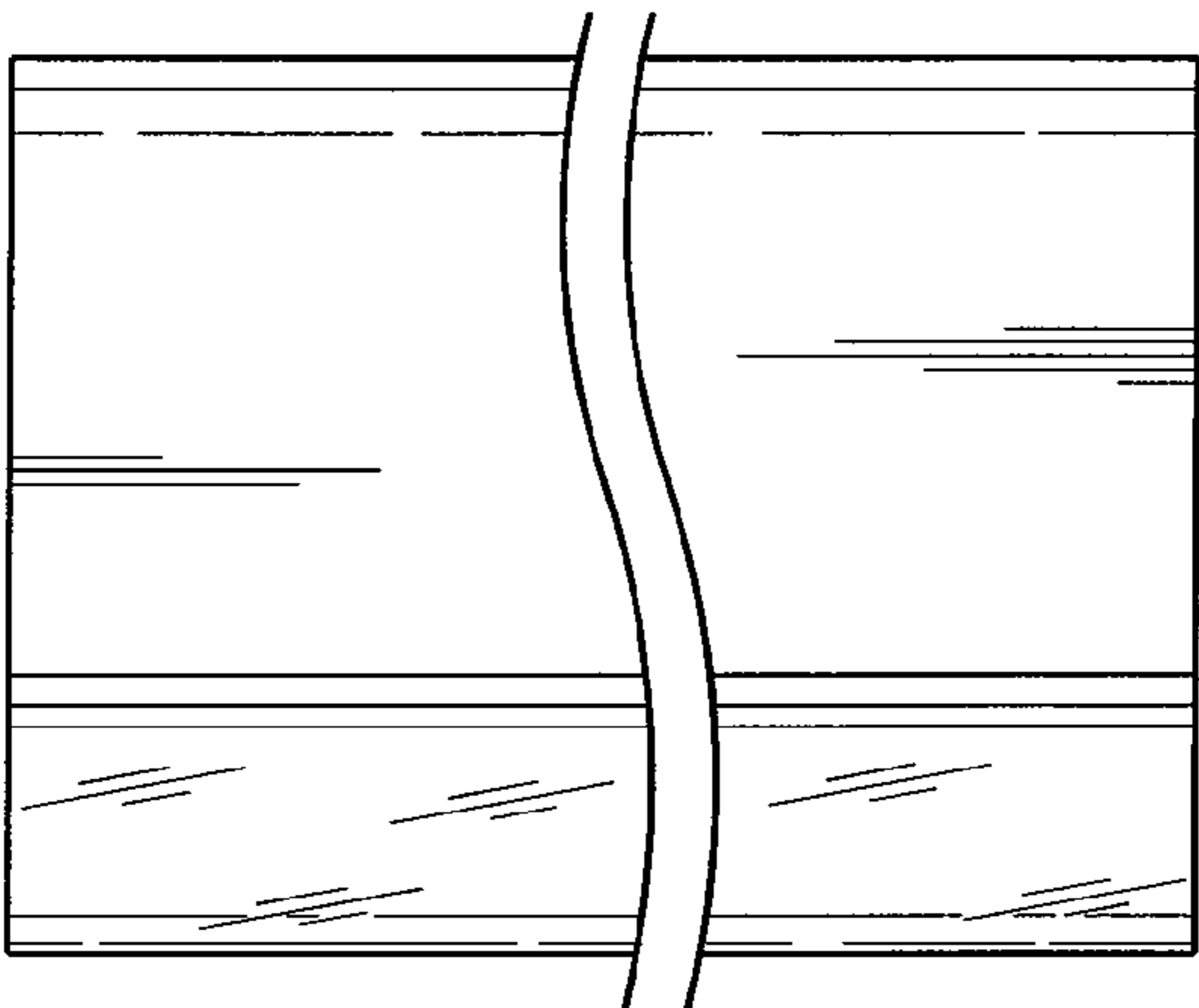


FIG. 5

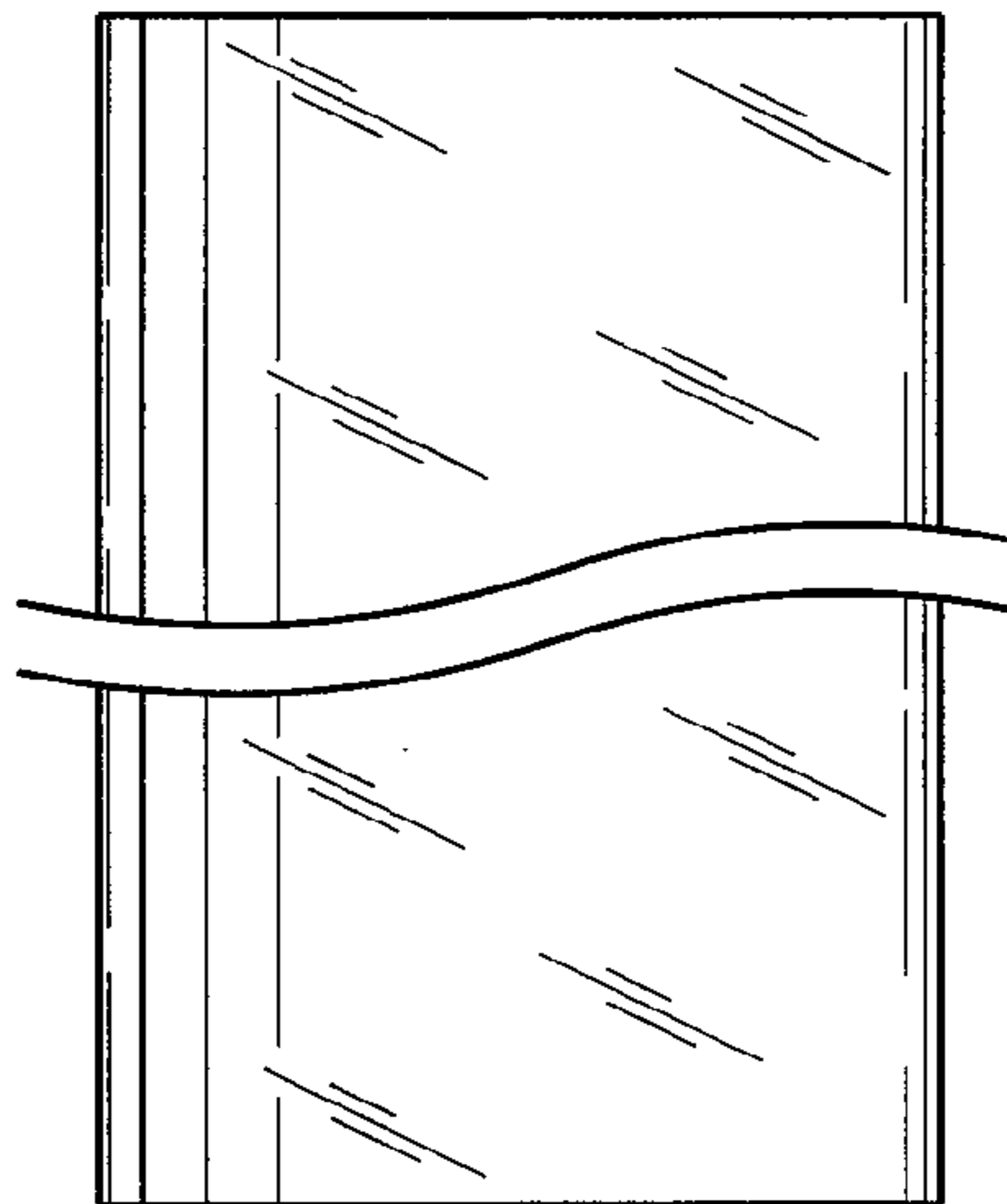


FIG. 6

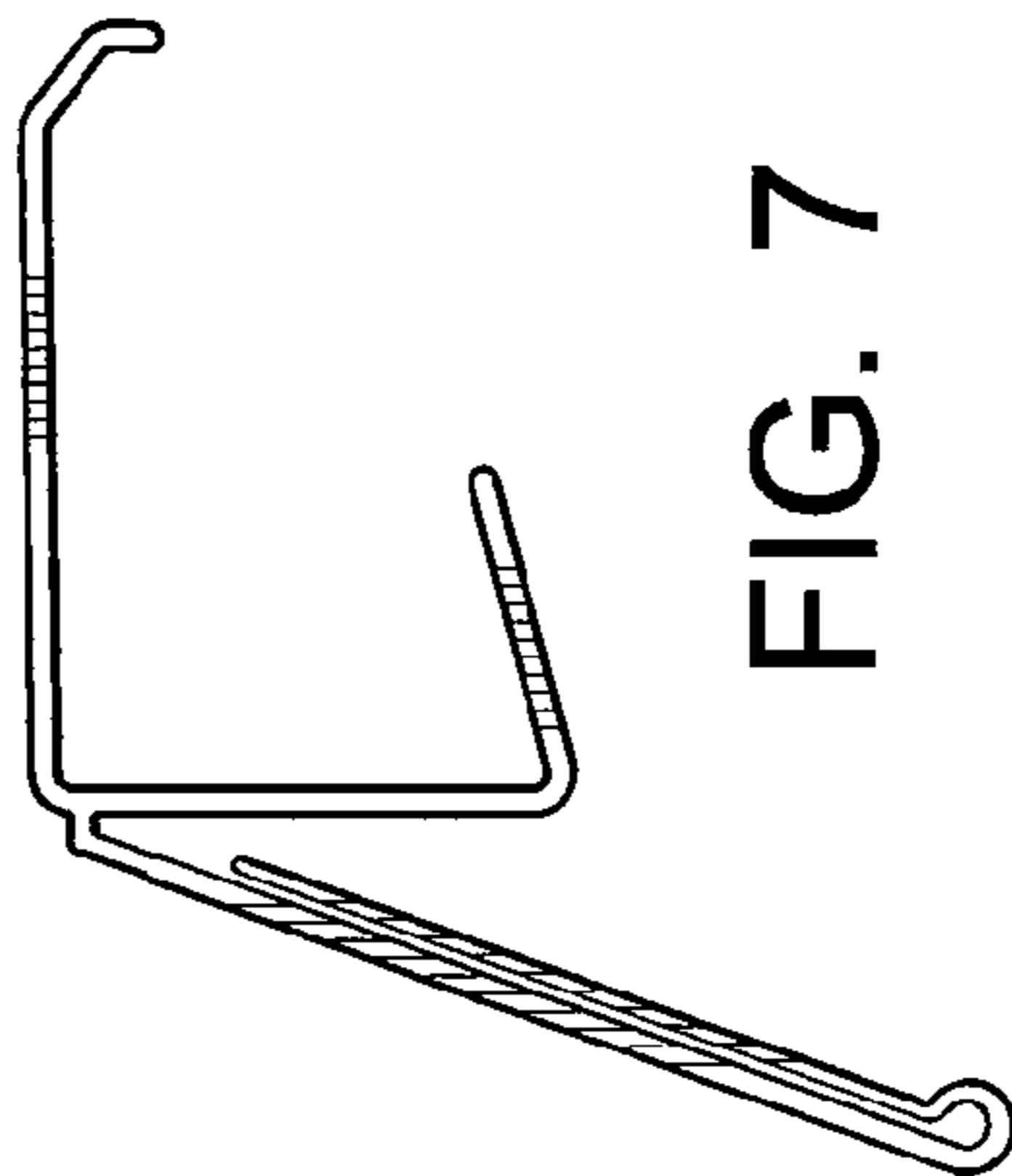


FIG. 7

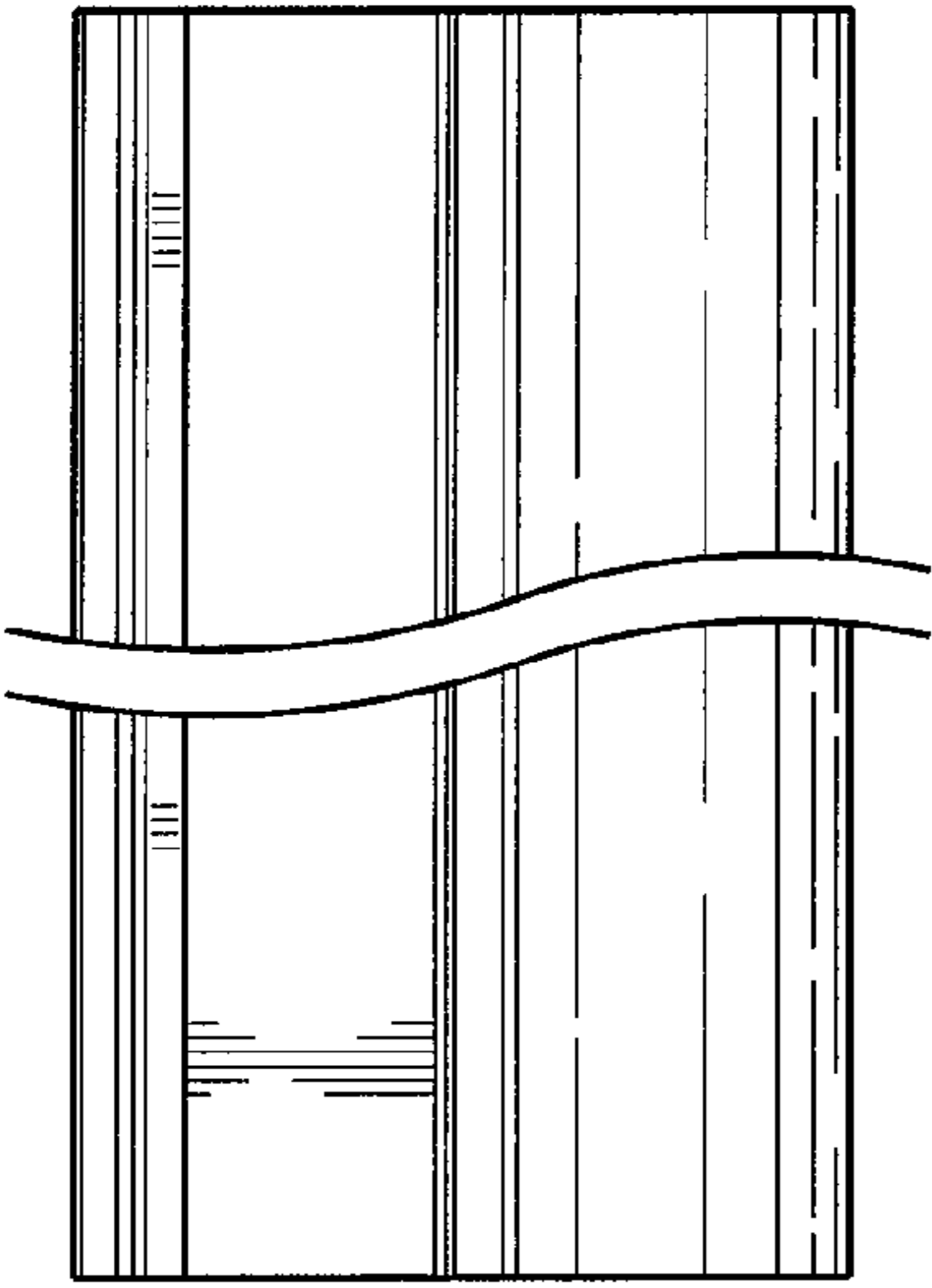


FIG. 9

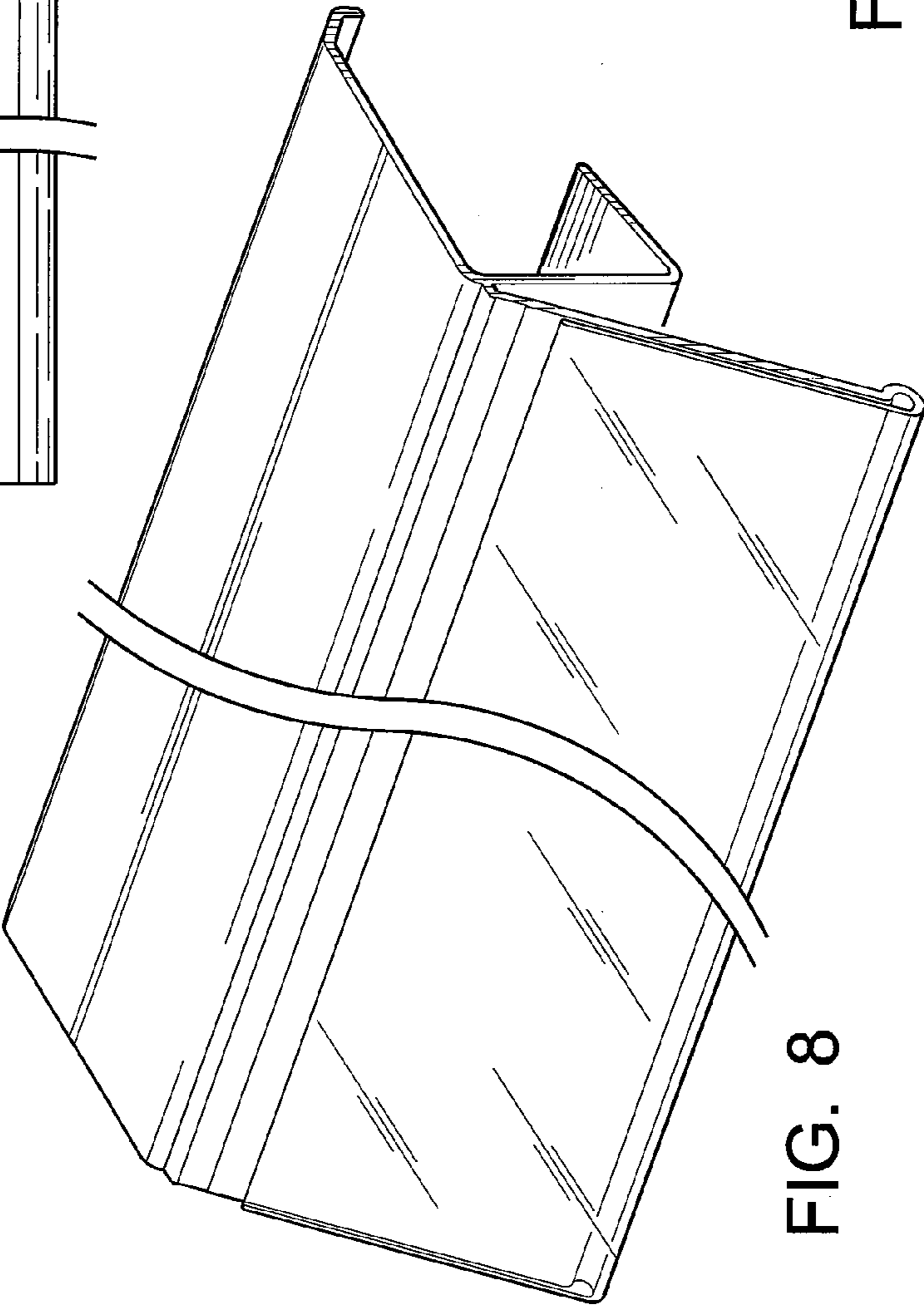


FIG. 8

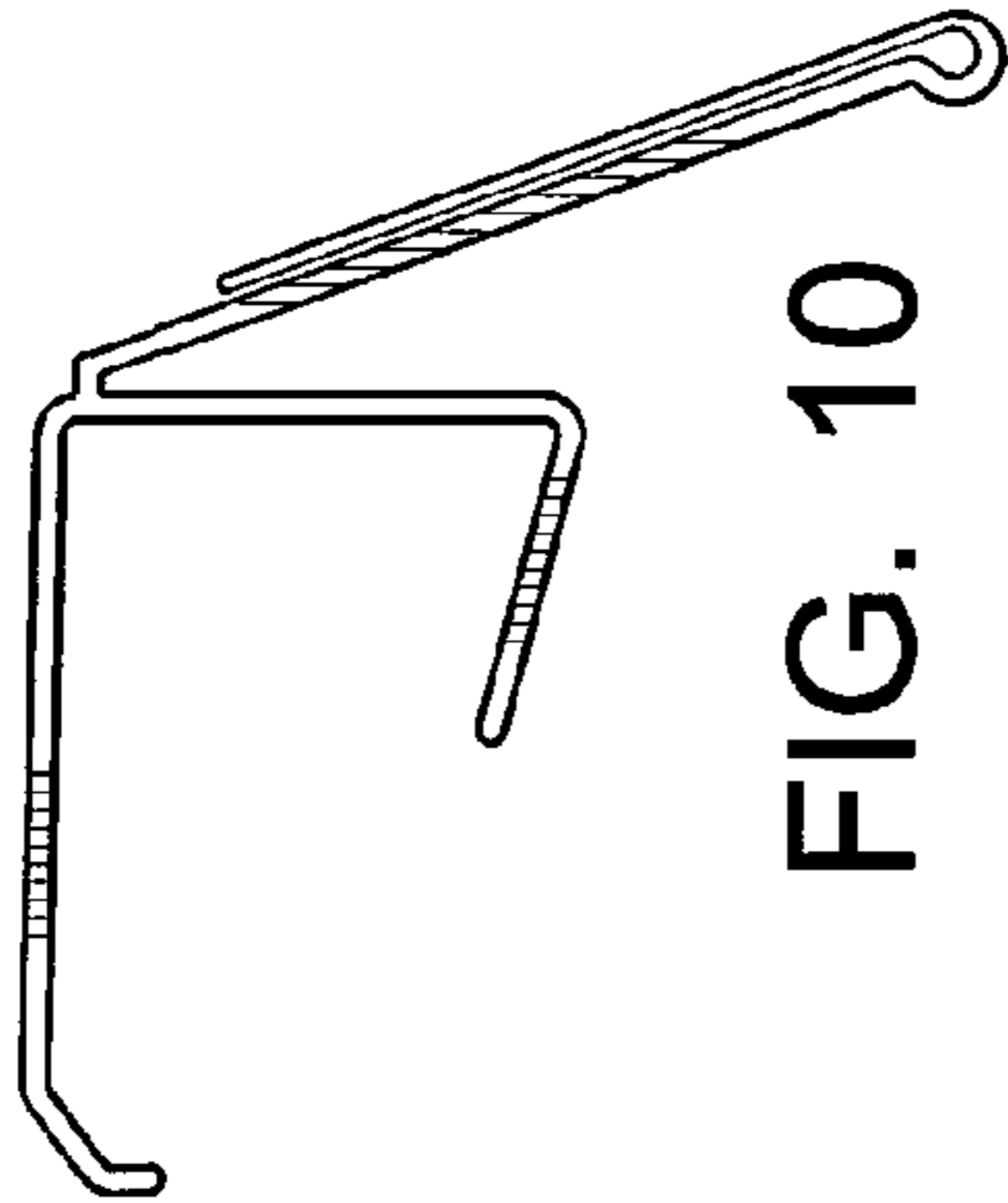


FIG. 10

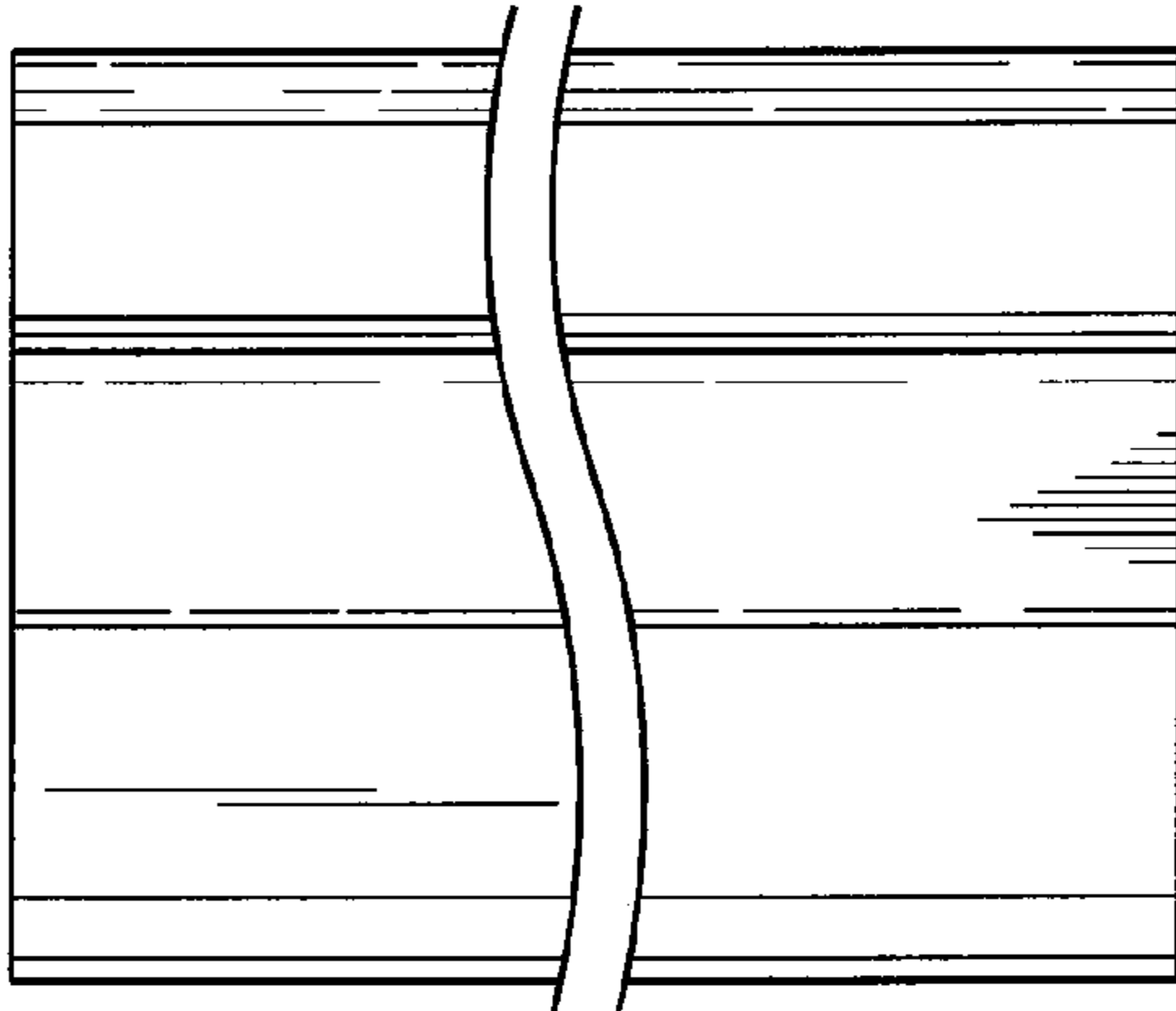


FIG. 11

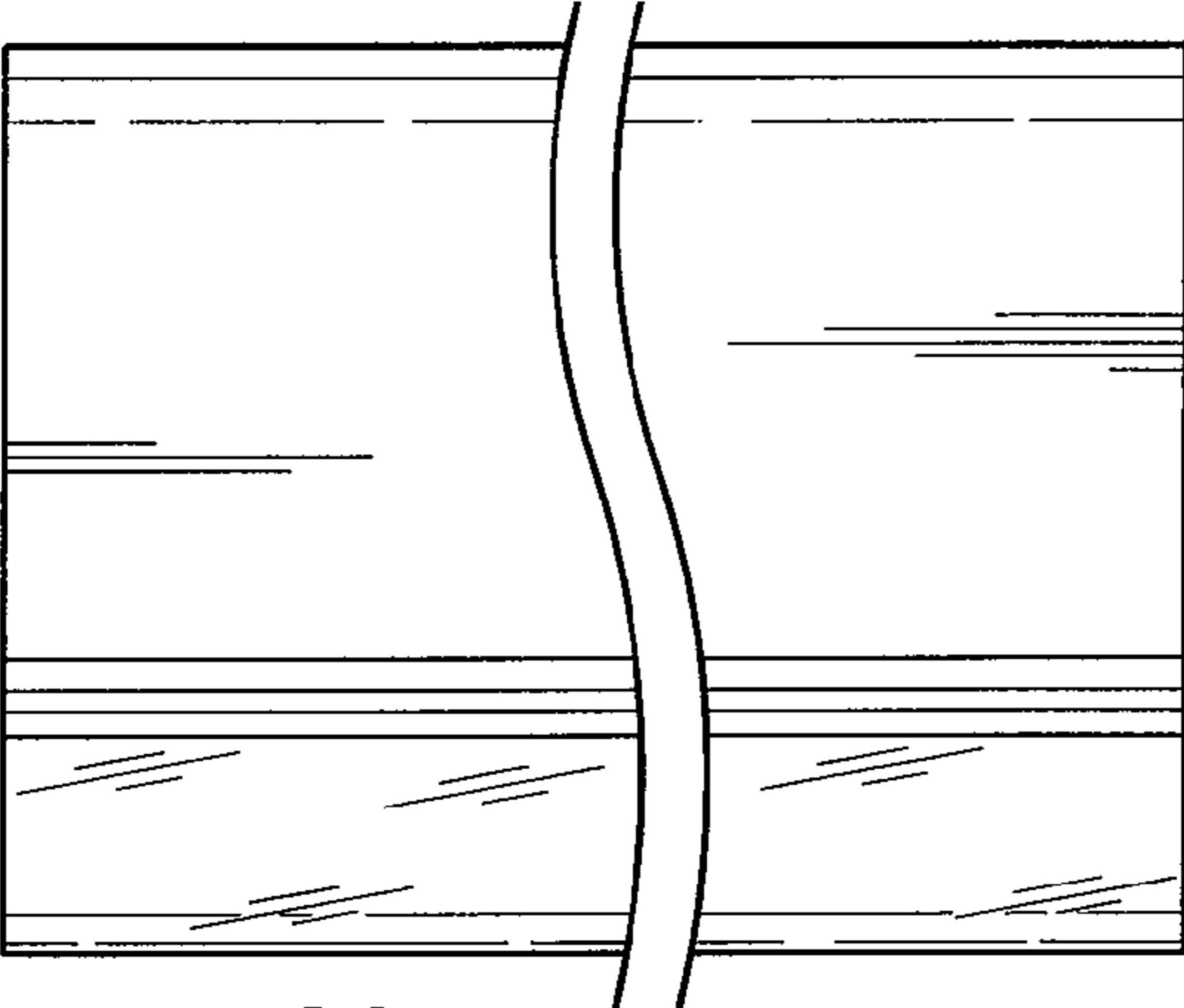


FIG. 12

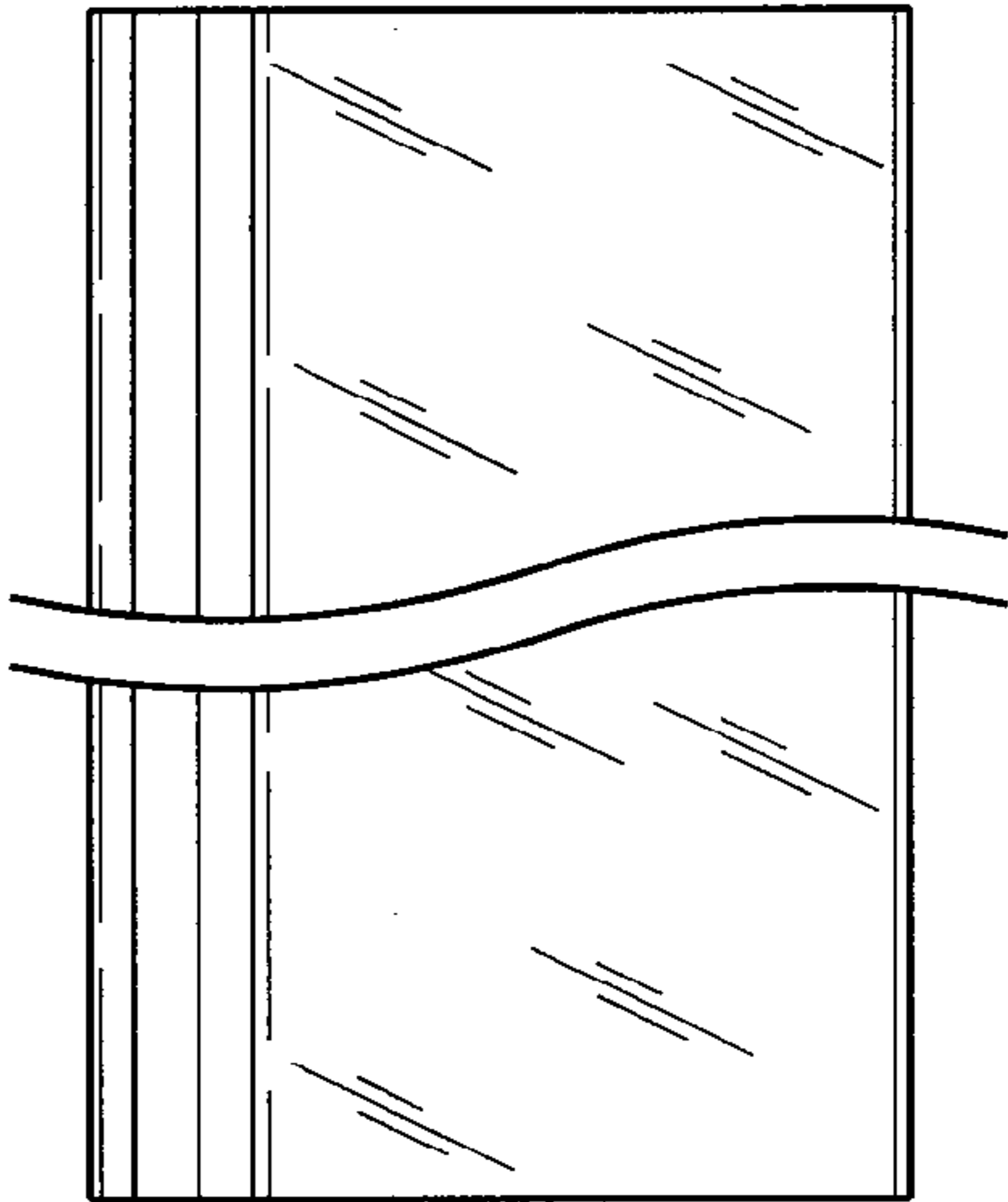


FIG. 13

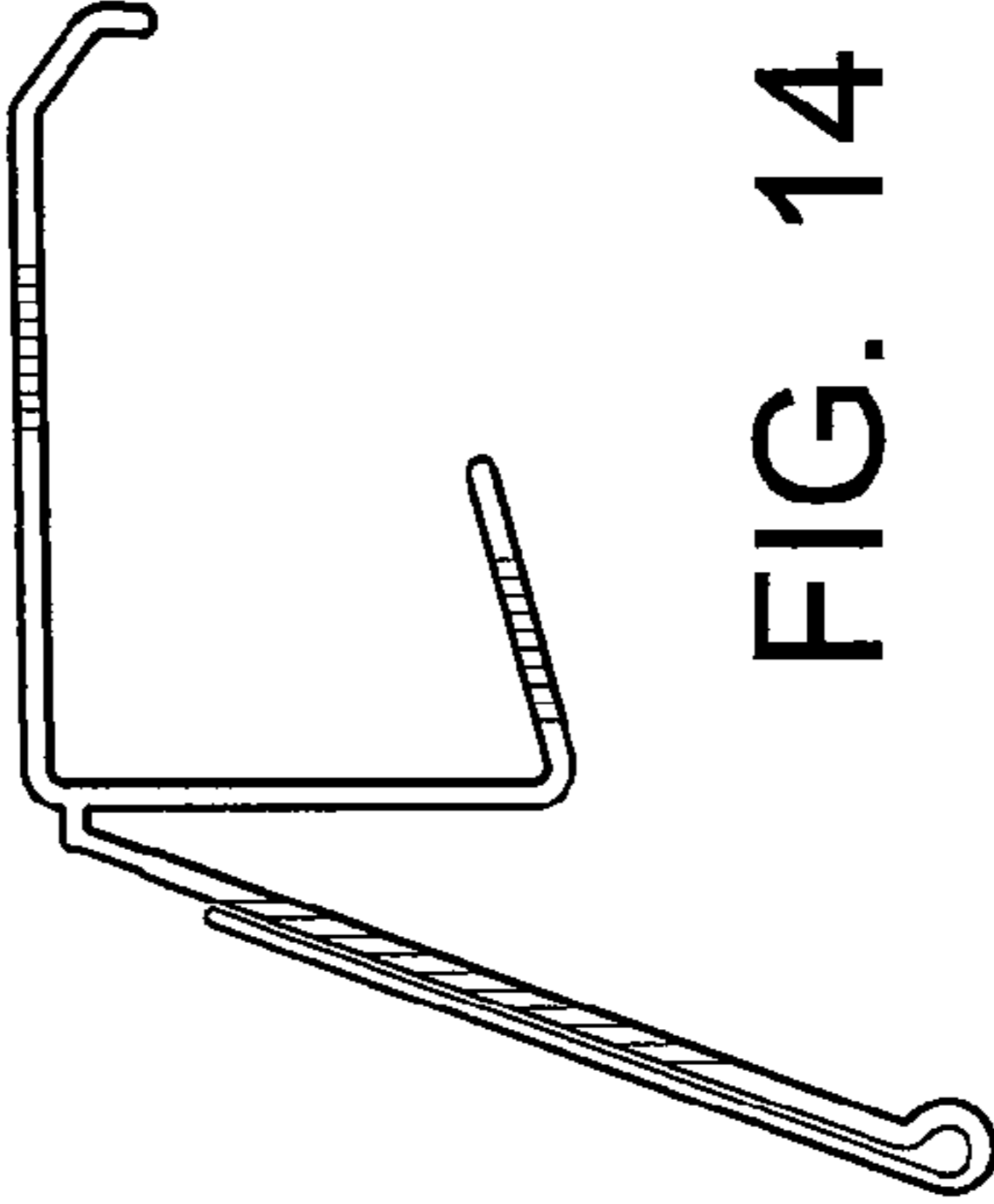


FIG. 14