



US00D579983S

(12) **United States Design Patent**
Milne et al.

(10) **Patent No.:** **US D579,983 S**

(45) **Date of Patent:** **** Nov. 4, 2008**

(54) **PORTABLE BACKLIT DISPLAY SIGN**

6,865,830 B2 * 3/2005 Gravitt et al. 40/1
D504,021 S * 4/2005 Stravitz D6/300
D505,018 S * 5/2005 Stravitz D6/300

(76) Inventors: **Kenneth John Milne**, 3509 Mill Hollow
Cir., Salt Lake City, UT (US) 84106;
Kevin O Parker, 141 Pierpont Ave., Salt
Lake City, UT (US) 84101

* cited by examiner

Primary Examiner—Caron D. Veynar
Assistant Examiner—Mary Ann Calabrese

(**) Term: **14 Years**

(21) Appl. No.: **29/293,230**

(57) **CLAIM**

(22) Filed: **Nov. 13, 2007**

The ornamental design for a portable backlit display sign, as shown.

(51) **LOC (8) Cl.** **20-03**

(52) **U.S. Cl.** **D20/39**

(58) **Field of Classification Search** D20/10,
D20/15, 17, 39, 41, 42, 99; 40/1, 541, 564,
40/584, 603, 606.18, 607.1, 610, 624, 700,
40/730, 757, 776; D6/300, 908, 310, 311,
D6/455, 470; D14/126, 336, 341, 371, 372,
D14/374, 377; 362/812

See application file for complete search history.

DESCRIPTION

FIG. 1 is a front perspective view of a portable backlit display sign;

FIG. 2 is a rear perspective view thereof;

FIG. 3 is a front elevation view thereof;

FIG. 4 is a rear elevation view thereof;

FIG. 5 is a right side elevation view thereof;

FIG. 6 is a left side elevation view thereof;

FIG. 7 is a top plan view thereof; and,

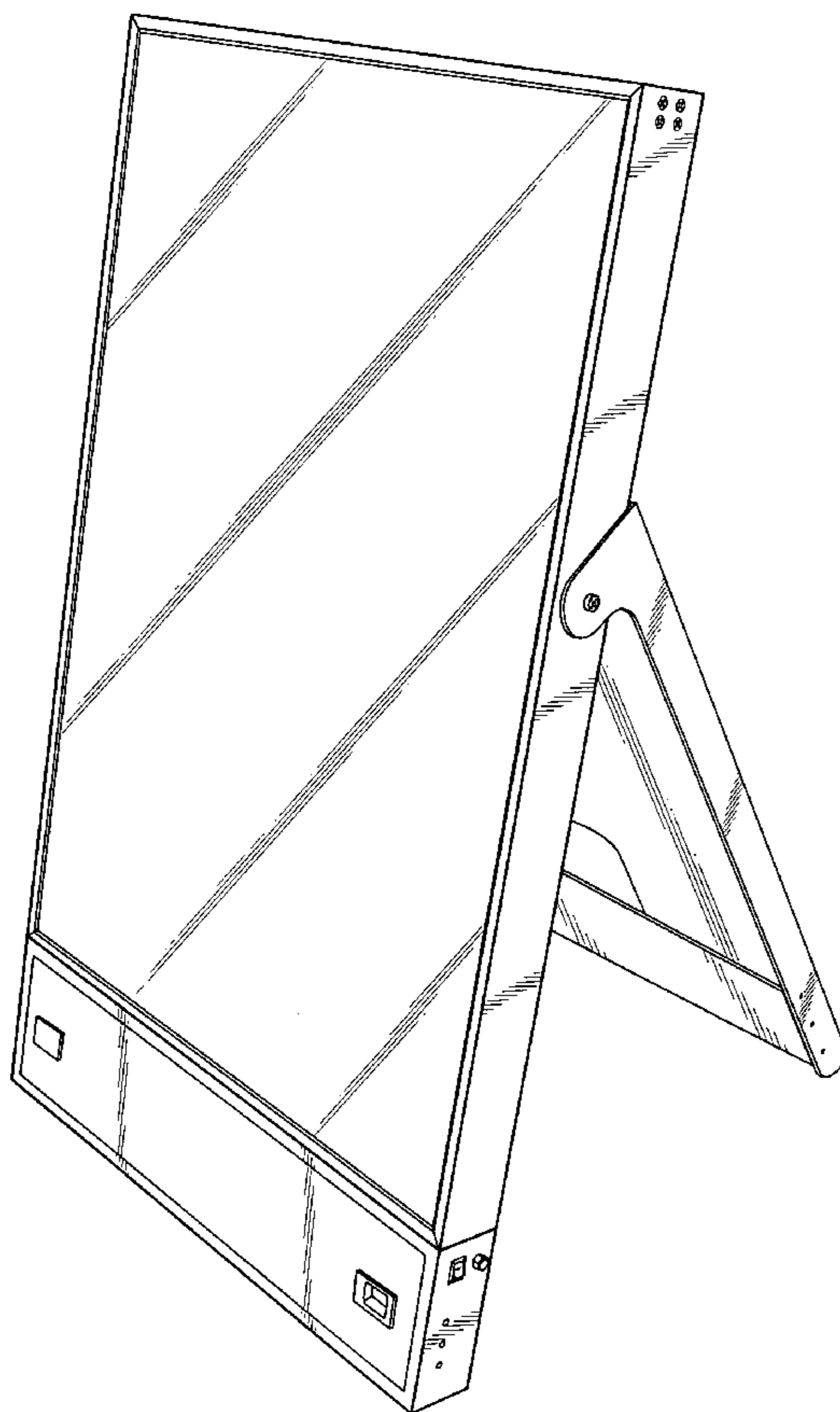
FIG. 8 is a bottom plan view thereof.

(56) **References Cited**

U.S. PATENT DOCUMENTS

D255,745 S * 7/1980 Pedersen D6/311
D463,499 S * 9/2002 Marcos D20/10
D472,223 S * 3/2003 Wilmotte D14/126

1 Claim, 7 Drawing Sheets



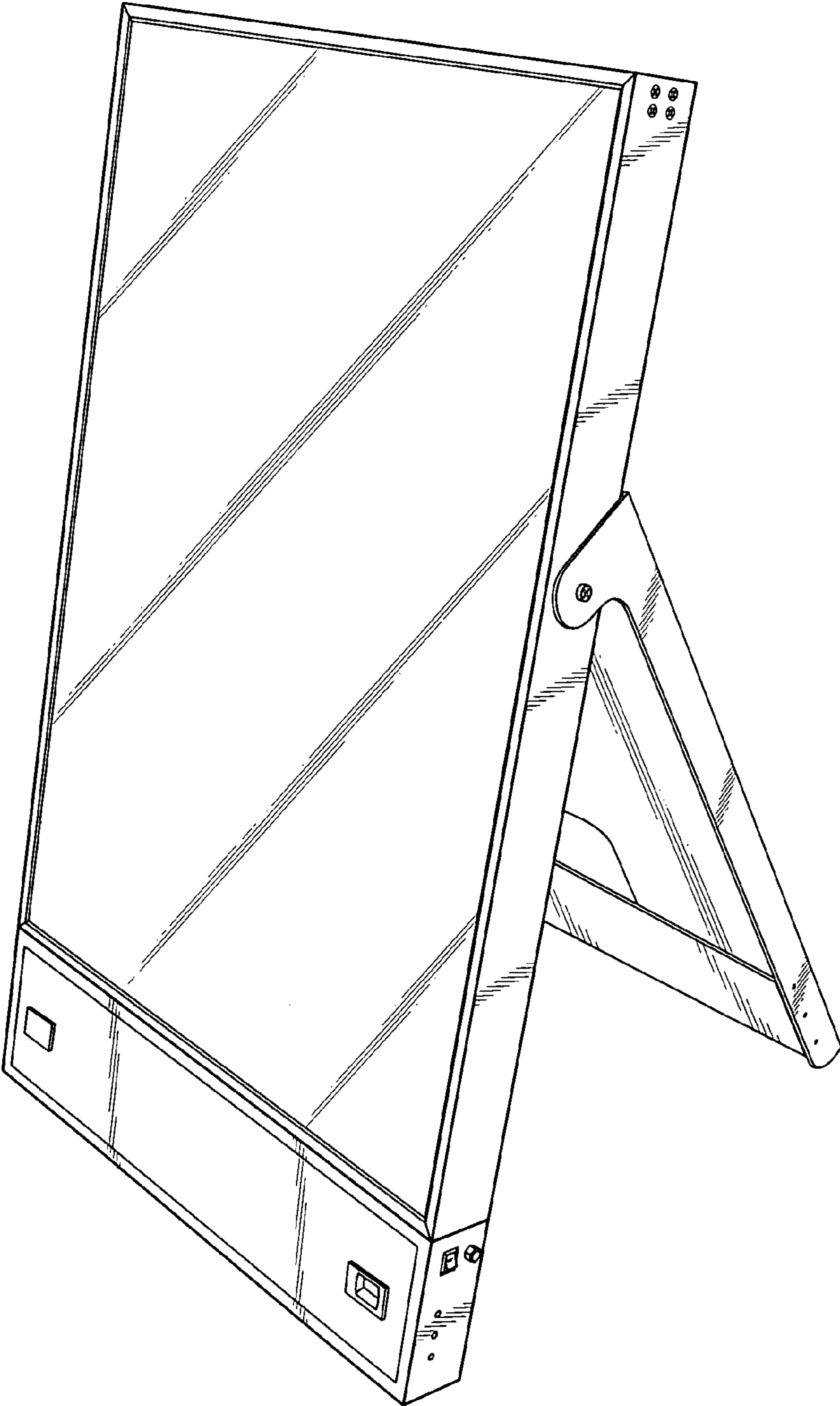


FIGURE 1

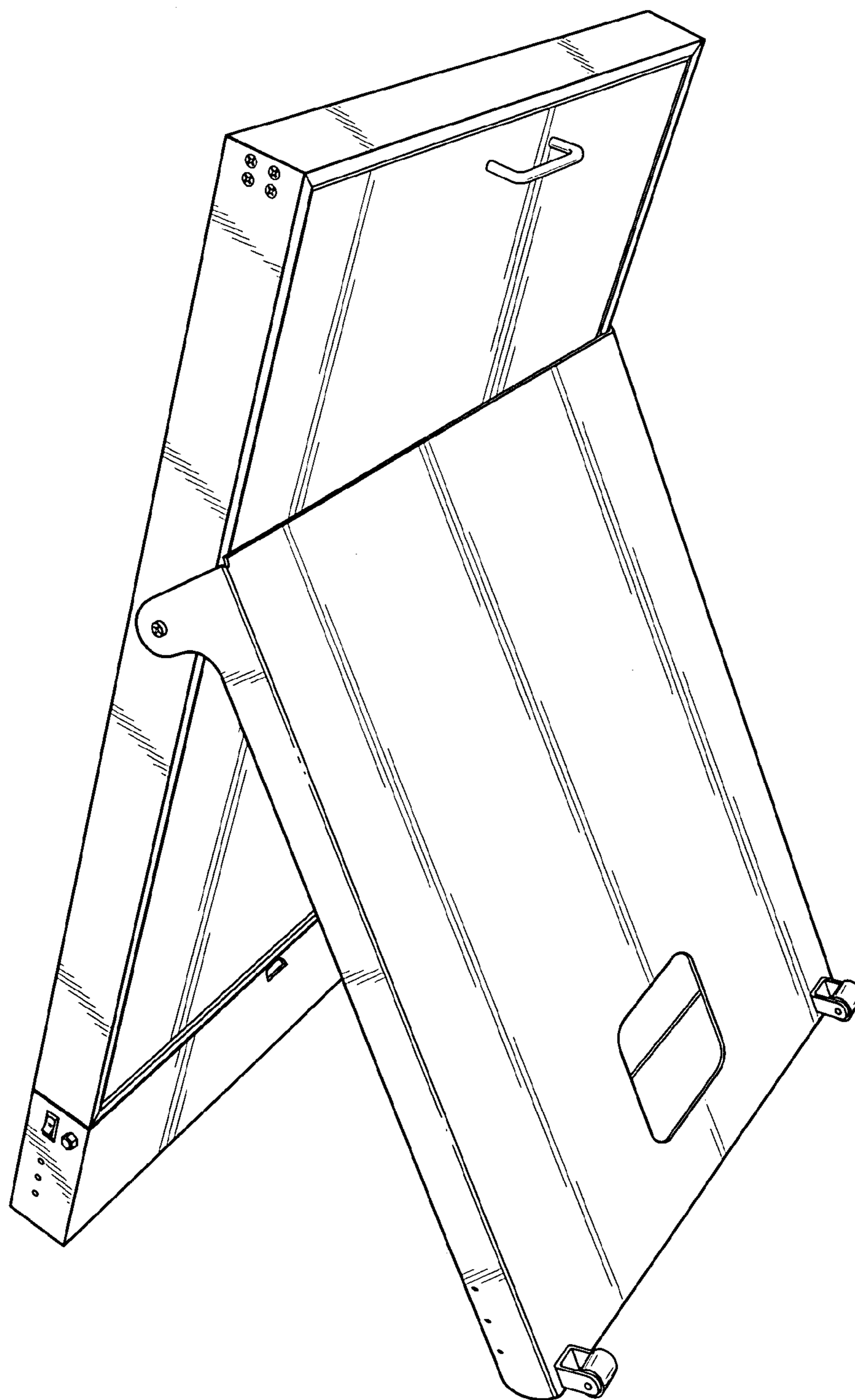


FIGURE 2

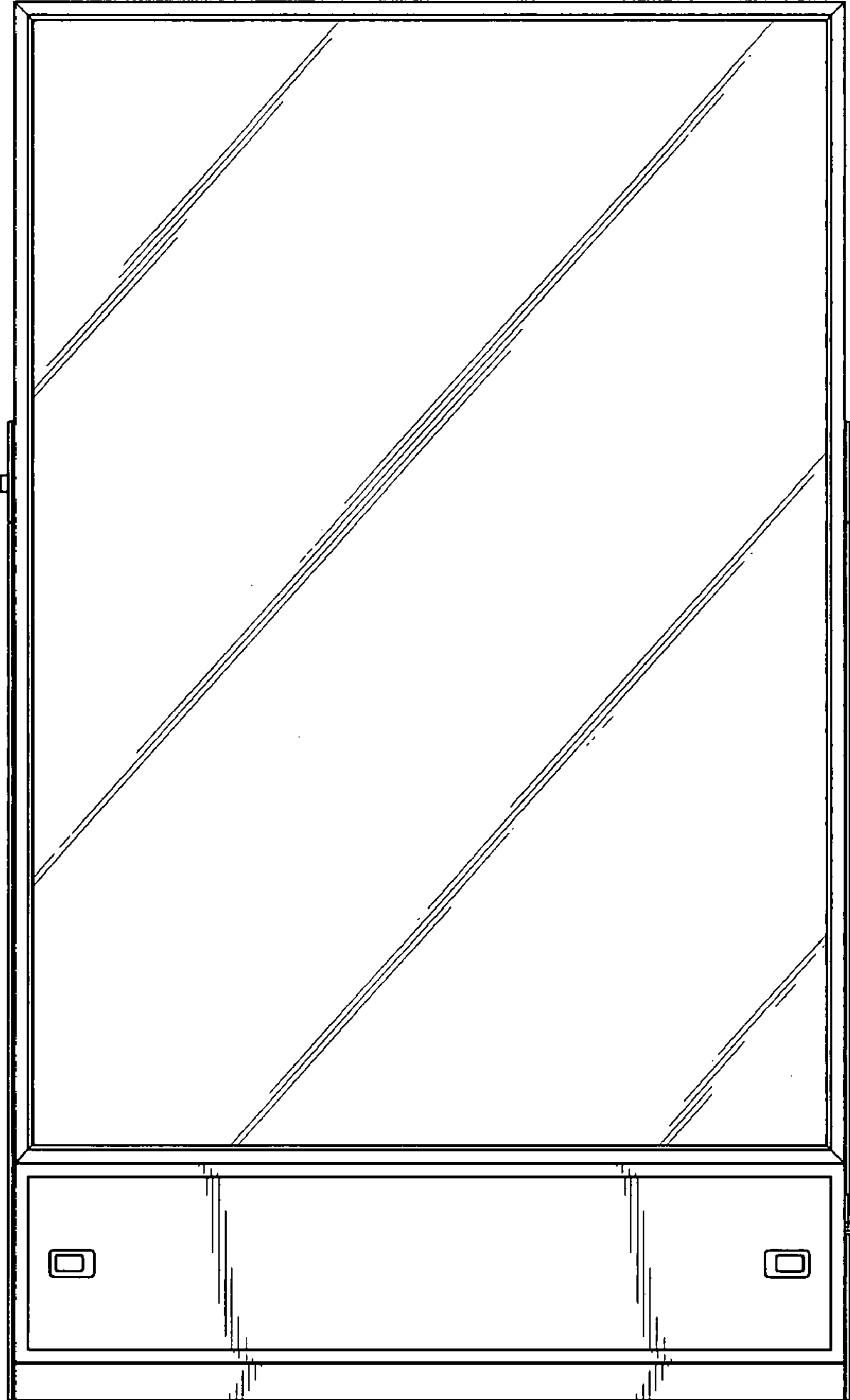


FIGURE 3

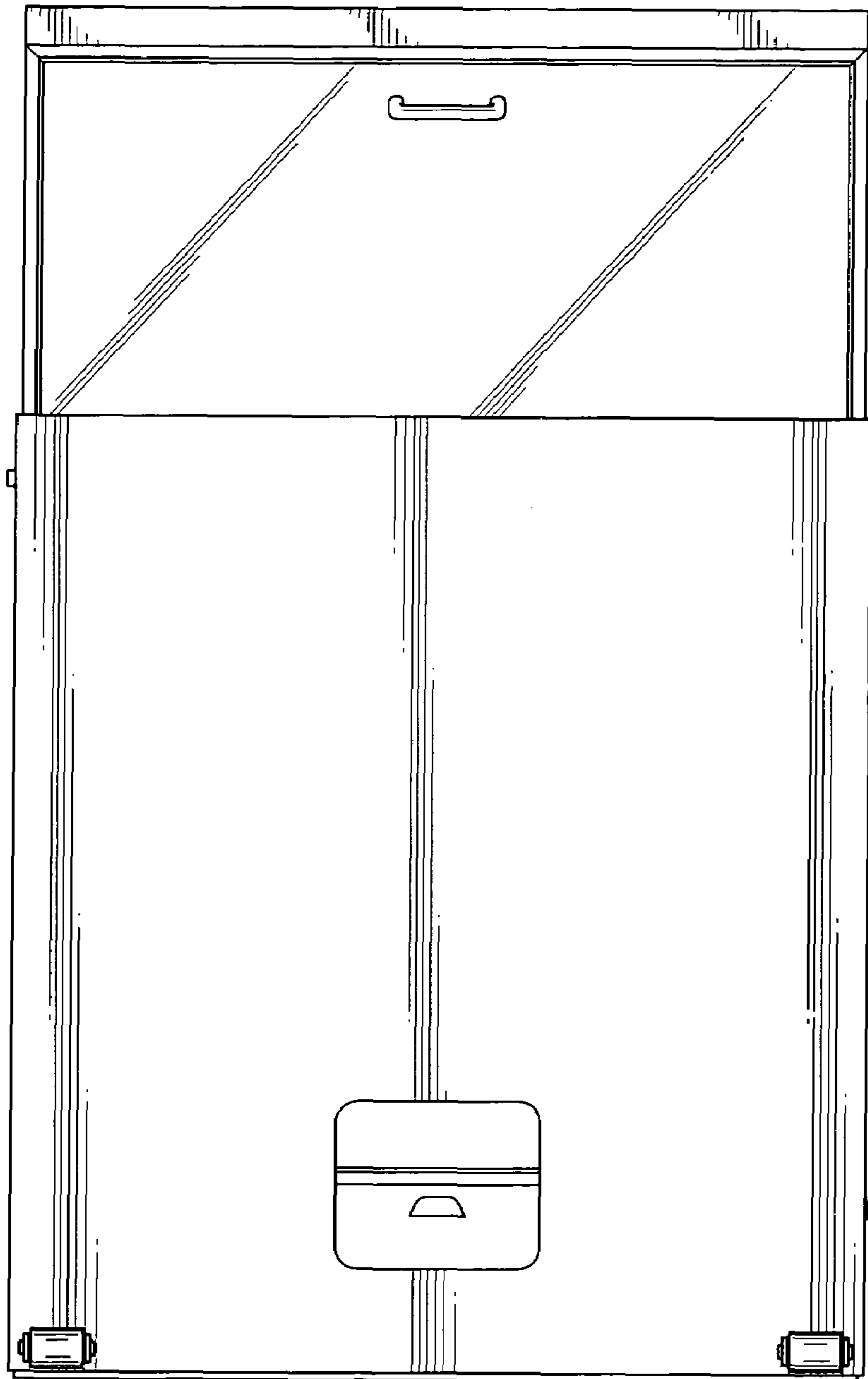


FIGURE 4

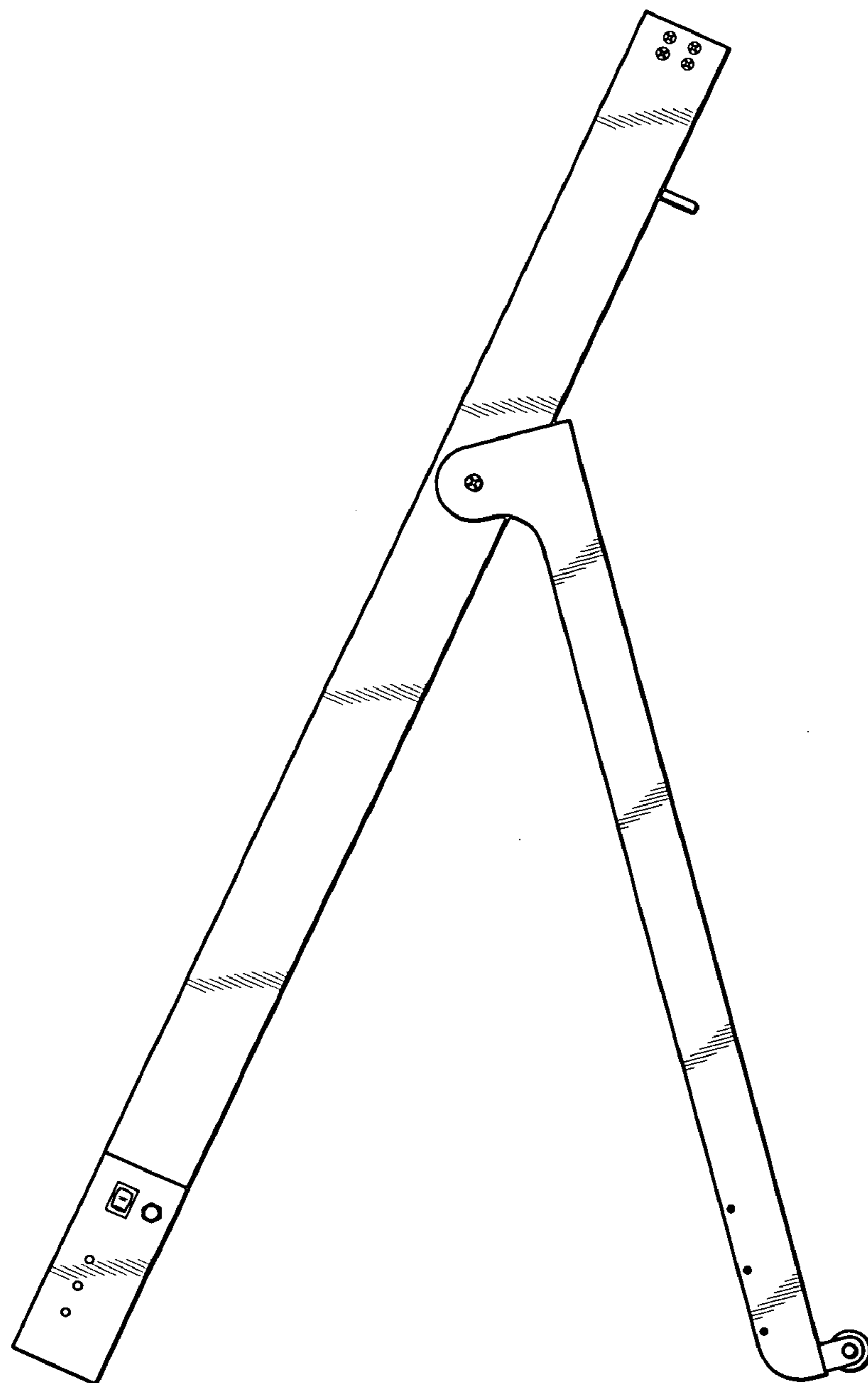


FIGURE 5

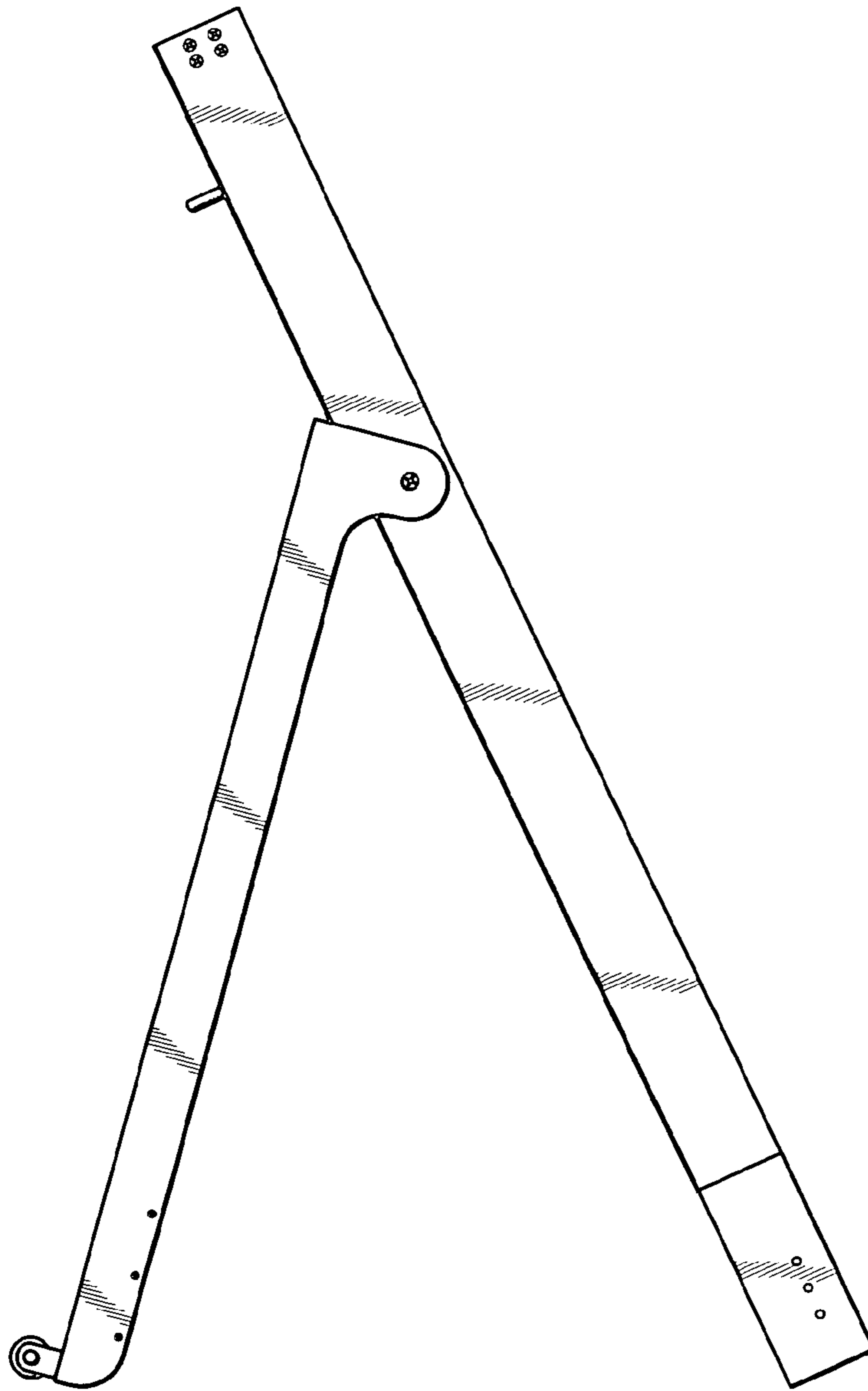


FIGURE 6

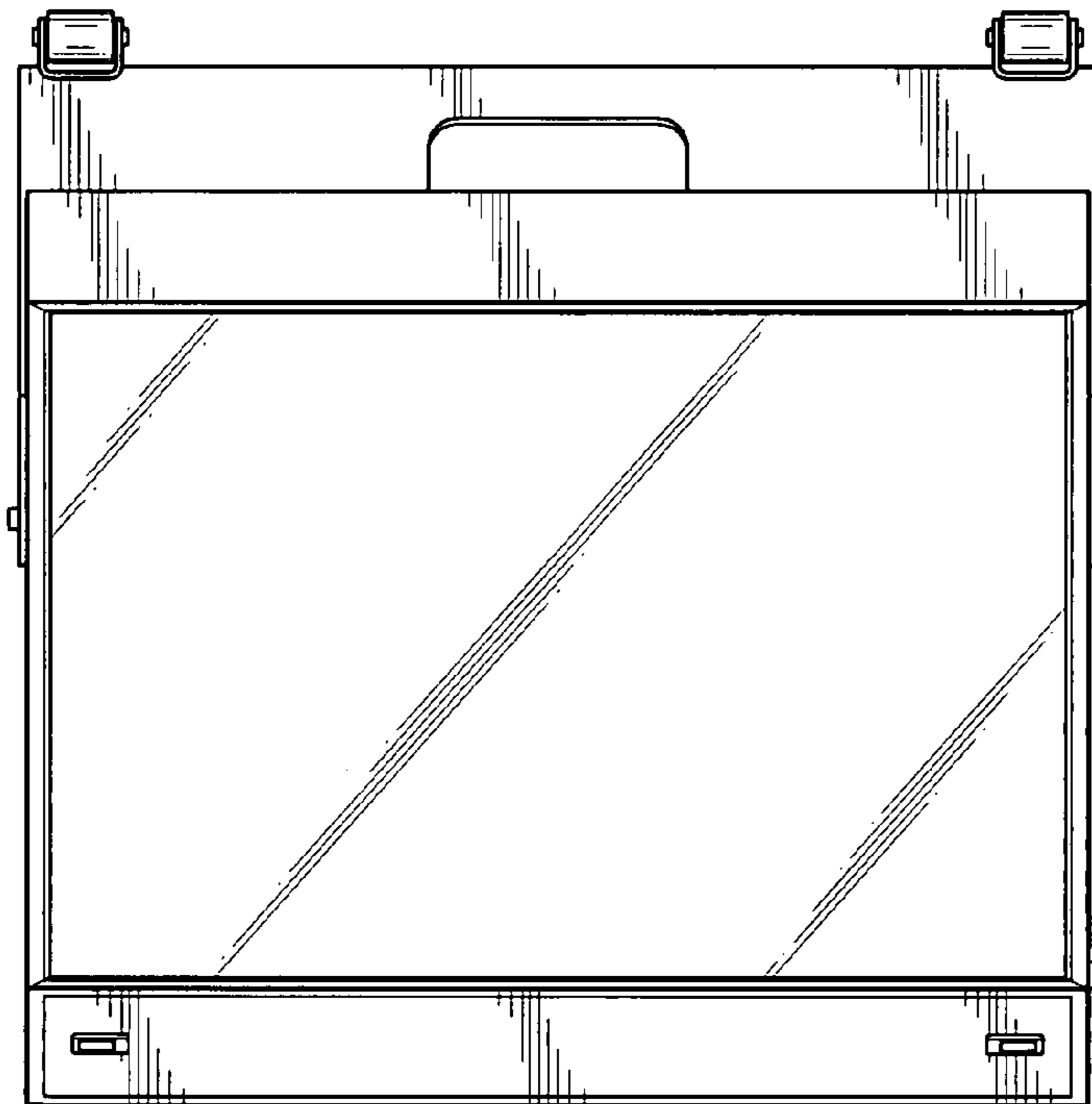


FIGURE 7

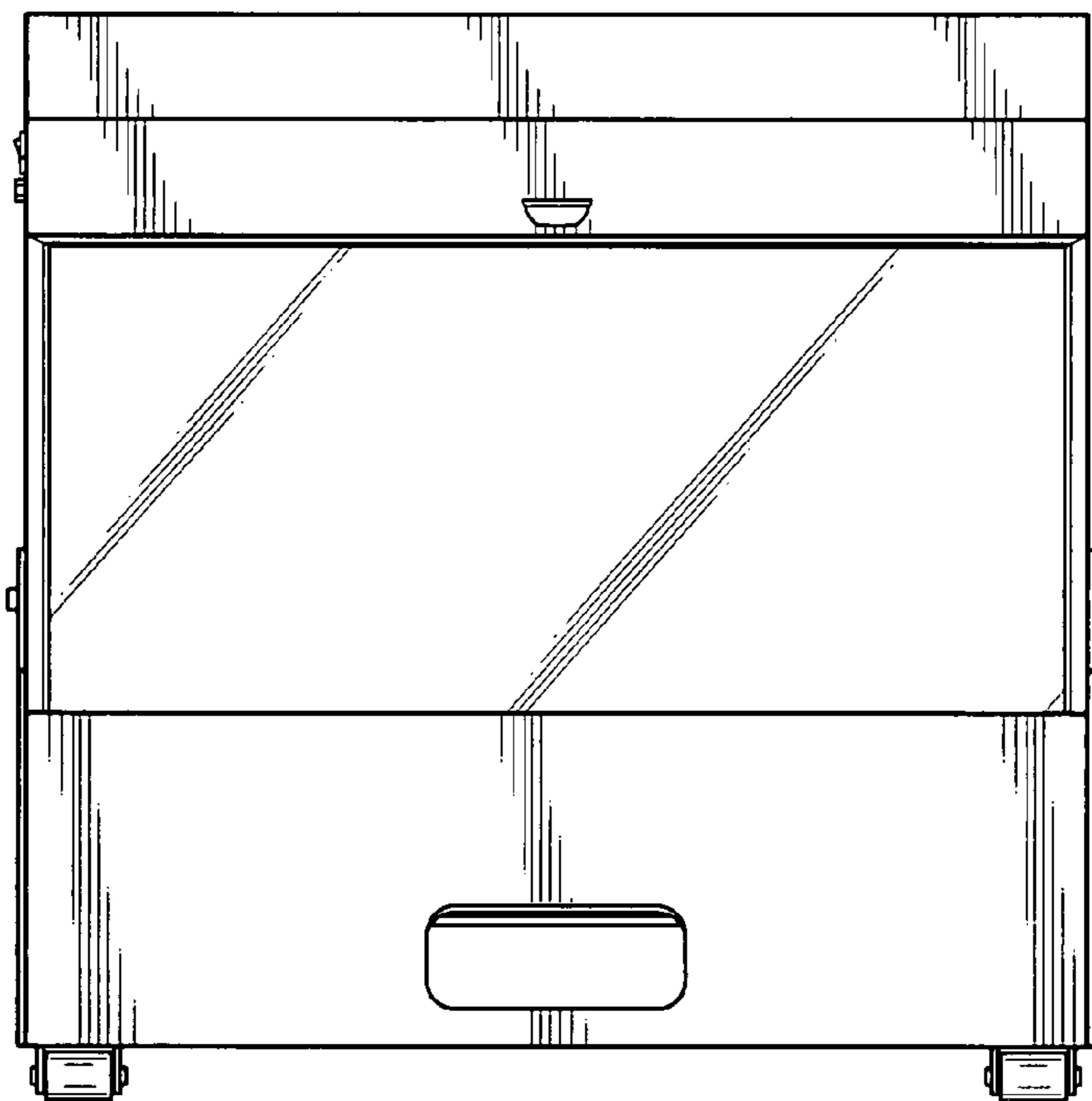


FIGURE 8