



US00D579981S

(12) **United States Design Patent**
Maczuzak et al.

(10) **Patent No.:** **US D579,981 S**
(45) **Date of Patent:** **** Nov. 4, 2008**

(54) **TAPE DISPENSER**

(75) Inventors: **Michael J. Maczuzak**, Bratenahl, OH (US); **Dan Dureiko**, Cleveland Heights, OH (US); **Erin Q. Riddell**, Bay Village, OH (US)

(73) Assignee: **Henkel Corporation**, Rocky Hill, CT (US)

(**) Term: **14 Years**

(21) Appl. No.: **29/295,257**

(22) Filed: **Sep. 25, 2007**

(51) **LOC (8) Cl.** **19-02**

(52) **U.S. Cl.** **D19/69**

(58) **Field of Classification Search** D19/36,
D19/70, 69, 68; D13/133, 146; 242/588.6,
242/588.3, 588.2; 225/77, 6, 56, 39, 26,
225/25, 19, 11; 206/411; 156/577, 527,
156/523

See application file for complete search history.

(56) **References Cited**

U.S. PATENT DOCUMENTS

- D170,429 S * 9/1953 Reinecke D19/69
- D201,766 S * 7/1965 Perkins D19/67
- D245,914 S * 9/1977 Fritzing D19/69
- 4,400,231 A * 8/1983 Martin 156/527
- D276,354 S 11/1984 Spitzer
- D294,955 S * 3/1988 Ragnerstam D19/67
- D337,612 S * 7/1993 Carella D19/69
- D361,086 S * 8/1995 Thompson et al. D19/69
- 5,468,332 A 11/1995 Dretzka et al.
- 5,759,342 A * 6/1998 Luhman et al. 156/577
- 5,820,005 A 10/1998 Perkitny
- 5,851,347 A 12/1998 Rodriguez
- D421,060 S 2/2000 Kelders
- D423,054 S * 4/2000 Harris D19/69
- D432,575 S 10/2000 Van Den Berg
- D438,567 S 3/2001 Van Den Berg
- D448,413 S * 9/2001 Carlson et al. D19/69
- D454,911 S * 3/2002 Carlson et al. D19/69

- D475,744 S * 6/2003 De Man et al. D19/69
- D500,086 S 7/2003 Van Tyle
- 6,681,830 B1 1/2004 Vulpitta
- 6,684,924 B1 2/2004 Kelders
- 6,719,180 B2 4/2004 Shah
- D490,469 S 5/2004 Chandaria
- D493,488 S 7/2004 Chandaria
- 6,874,554 B2 4/2005 Chandaria
- D506,224 S * 6/2005 Farce D19/69
- 6,913,060 B2 7/2005 Chandaria
- 6,923,358 B2 8/2005 Chandaria
- 7,093,640 B2 8/2006 Chandaria
- 7,121,499 B2 10/2006 Lammers
- D533,905 S * 12/2006 Gullicks et al. D19/69
- D539,352 S * 3/2007 Farce et al. D19/69
- 7,191,815 B2 3/2007 Van Tyle

(Continued)

Primary Examiner—Cathron Brooks
Assistant Examiner—Austin Murphy
(74) *Attorney, Agent, or Firm*—Steven C. Bauman; James E. Piotrowski

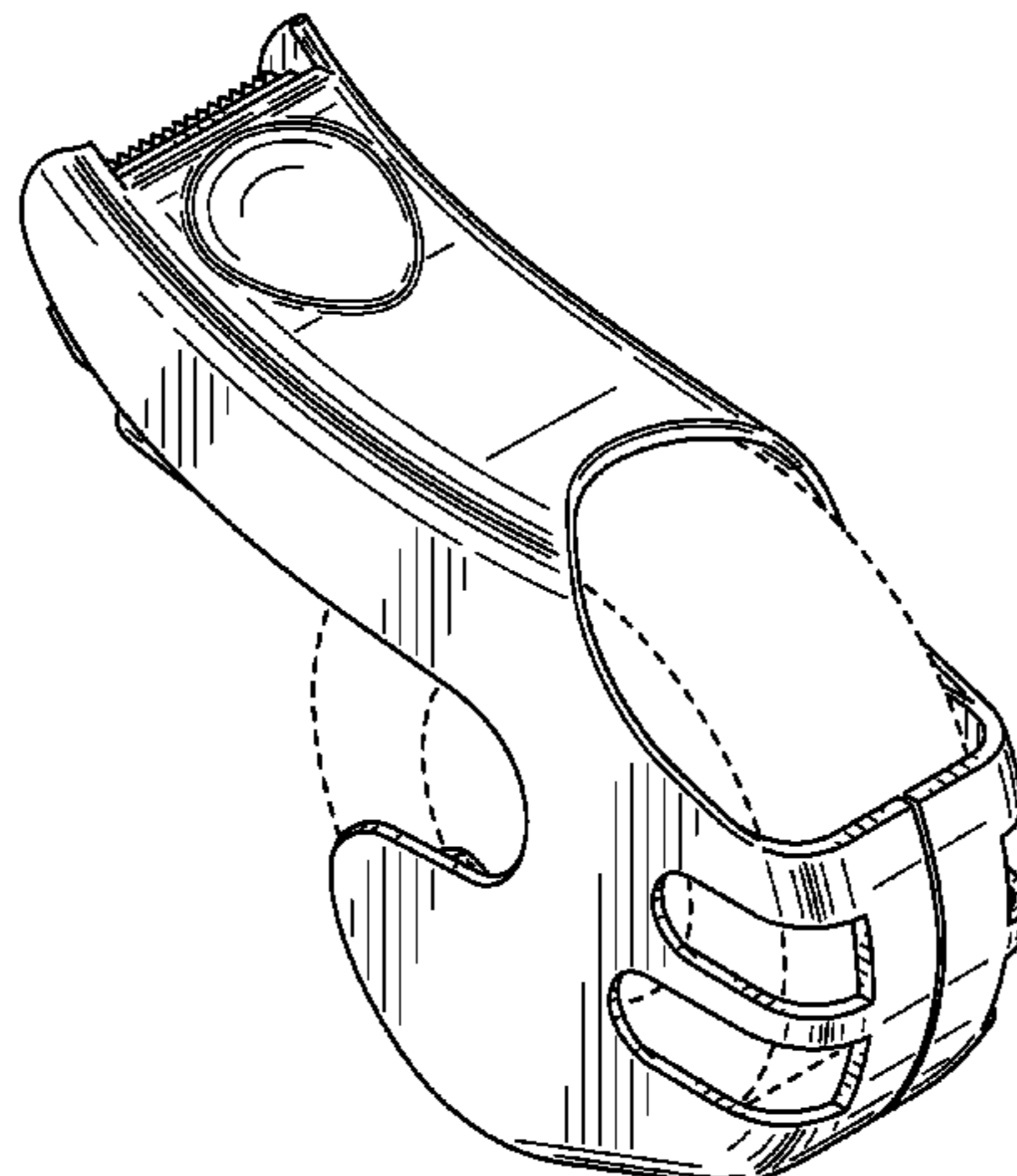
(57) **CLAIM**

The ornamental design for a tape dispenser, as shown and described.

DESCRIPTION

FIG. 1 is a top left perspective view of the tape dispenser according to the new design;
FIG. 2 is a left elevation view thereof;
FIG. 3 is a right elevation view thereof;
FIG. 4 is a front elevation view thereof;
FIG. 5 is a rear elevation view thereof;
FIG. 6 is a top plan view thereof; and,
FIG. 7 is a bottom plan view thereof.
The broken lines shown in drawings form no part of the claimed design.

1 Claim, 4 Drawing Sheets



US D579,981 S

Page 2

U.S. PATENT DOCUMENTS							
				2004/0154750	A1*	8/2004	Chandaria 156/510
D549,287	S	*	8/2007	Pitzen et al.	D19/69		
D553,685	S	*	10/2007	Thorsteinsson et al.	D19/69		
2004/0202841	A1		11/2002	Jour			
2004/0011473	A1*		1/2004	Van Tyle et al.	156/527		
							* cited by examiner

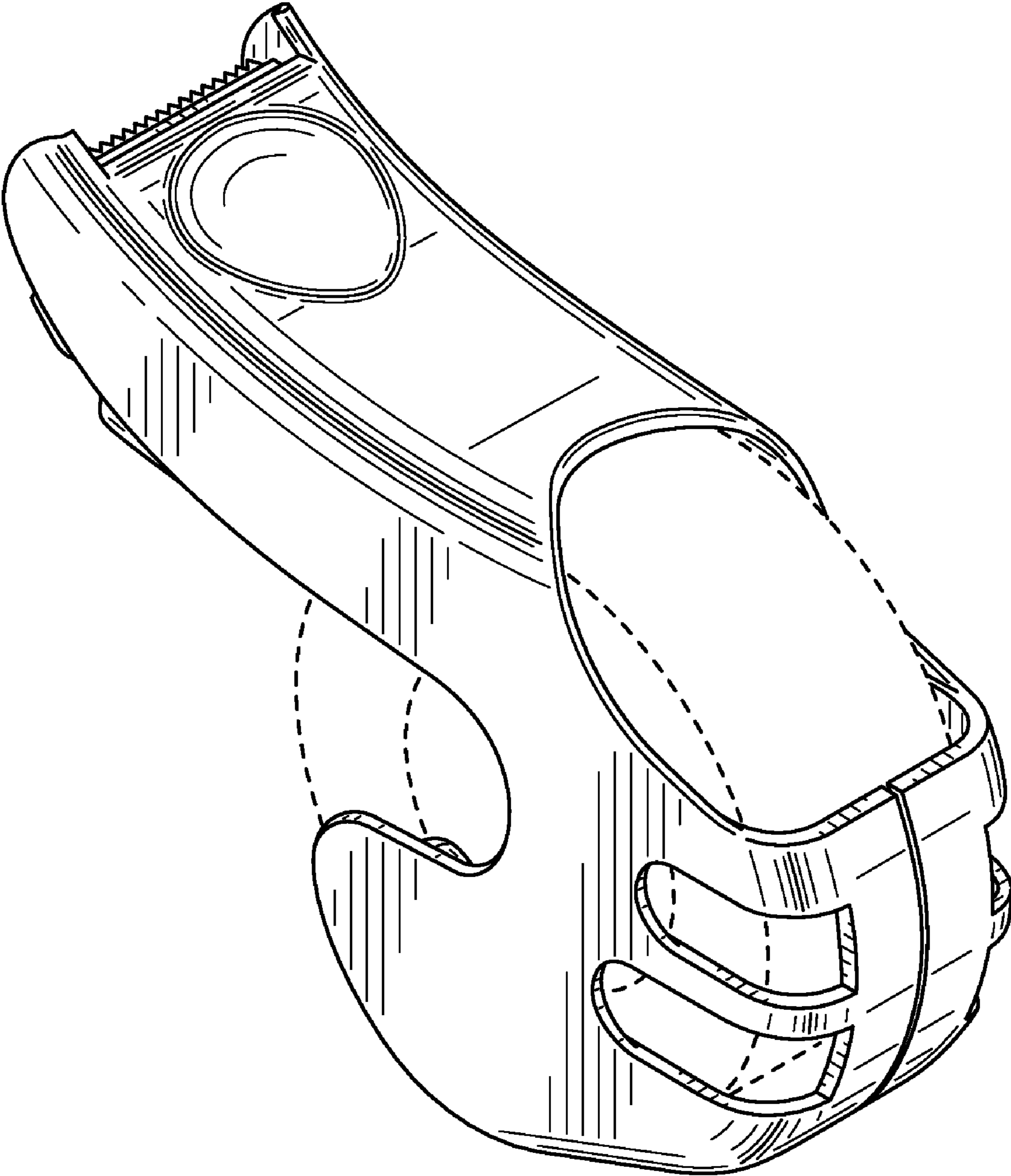


FIG. 1

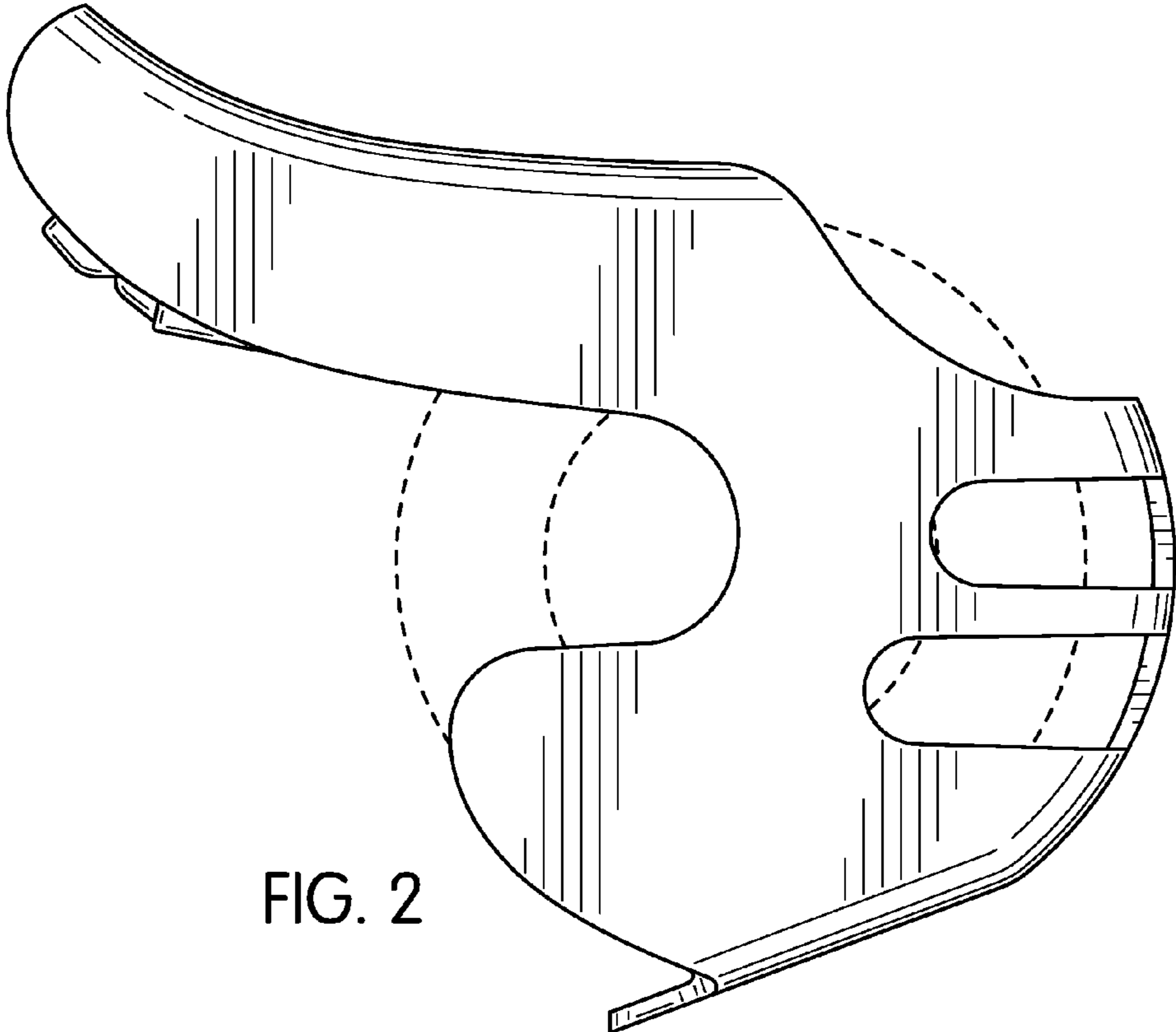


FIG. 2

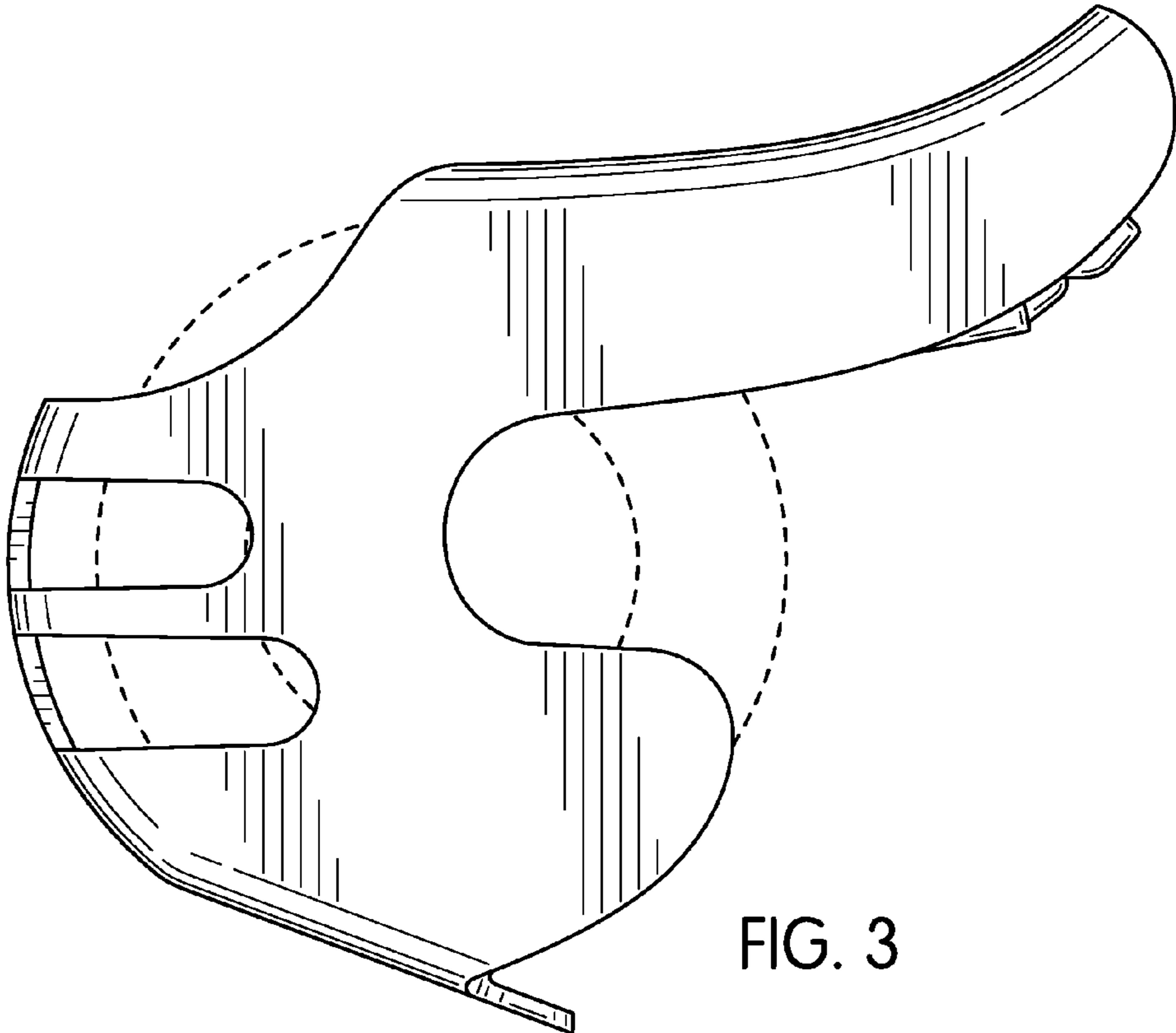


FIG. 3

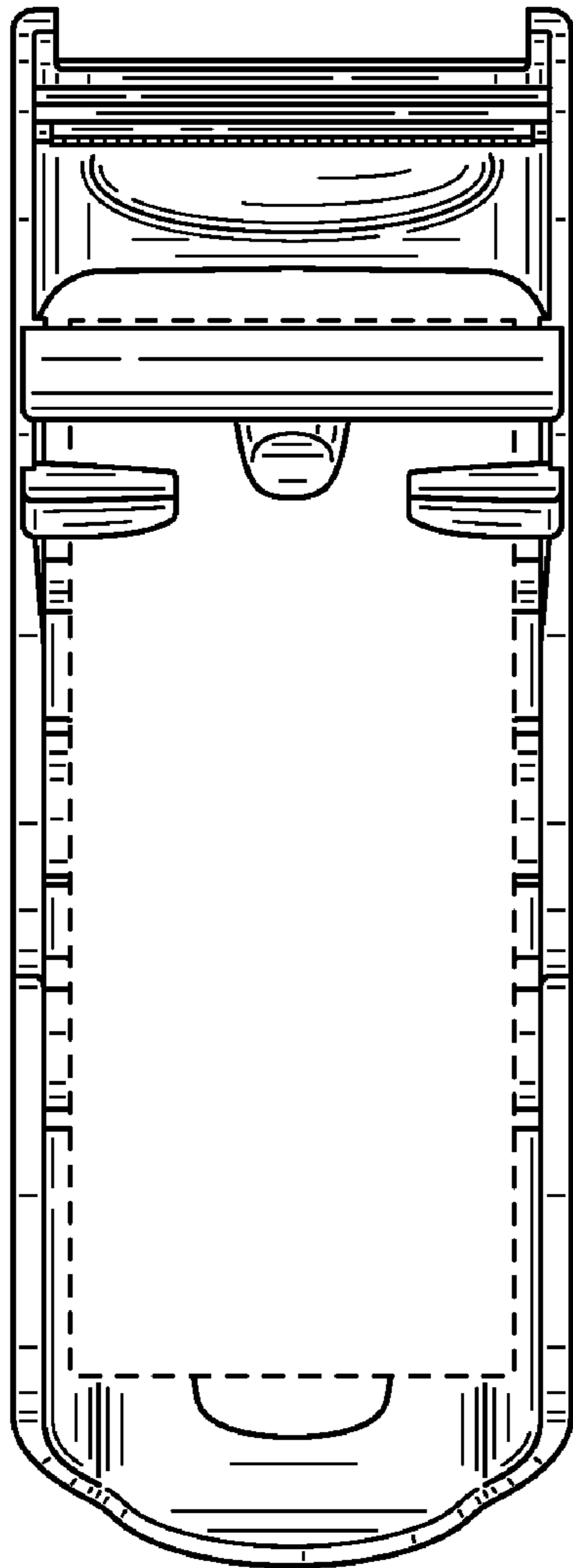


FIG. 4

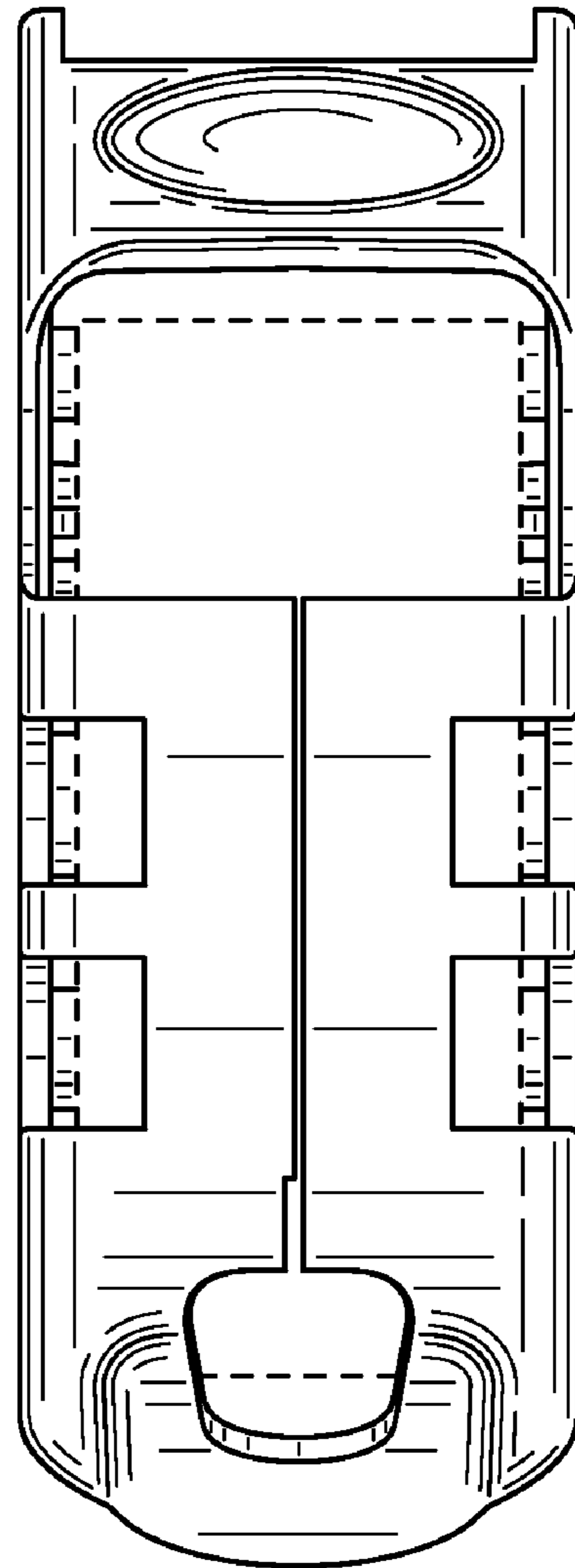


FIG. 5

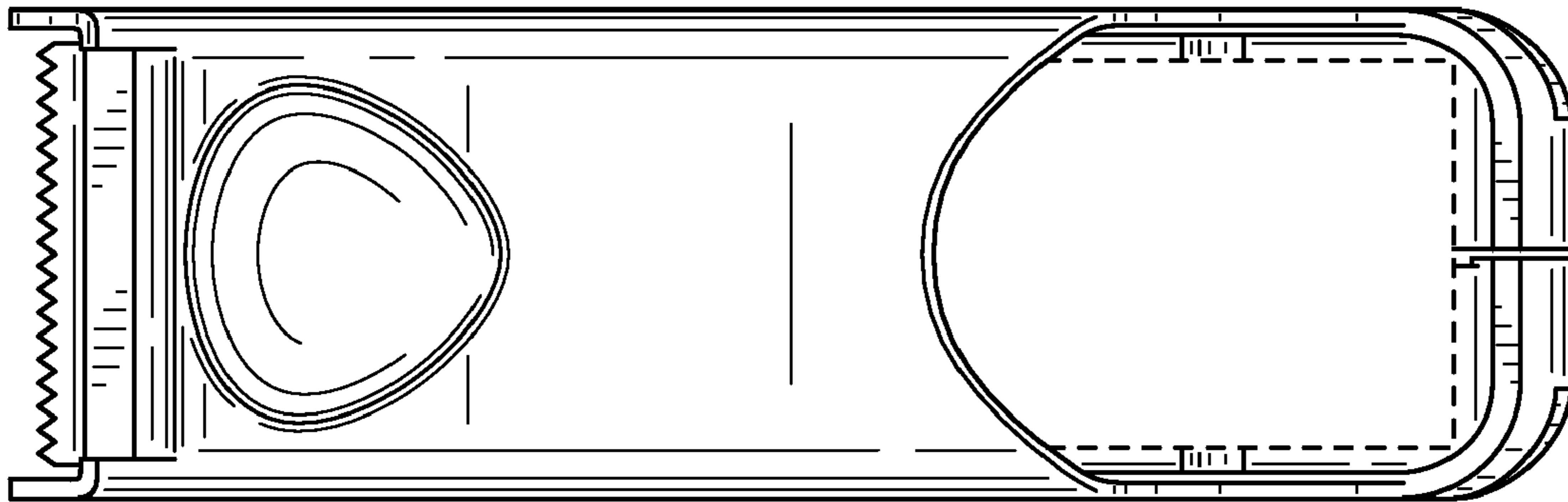


FIG. 6

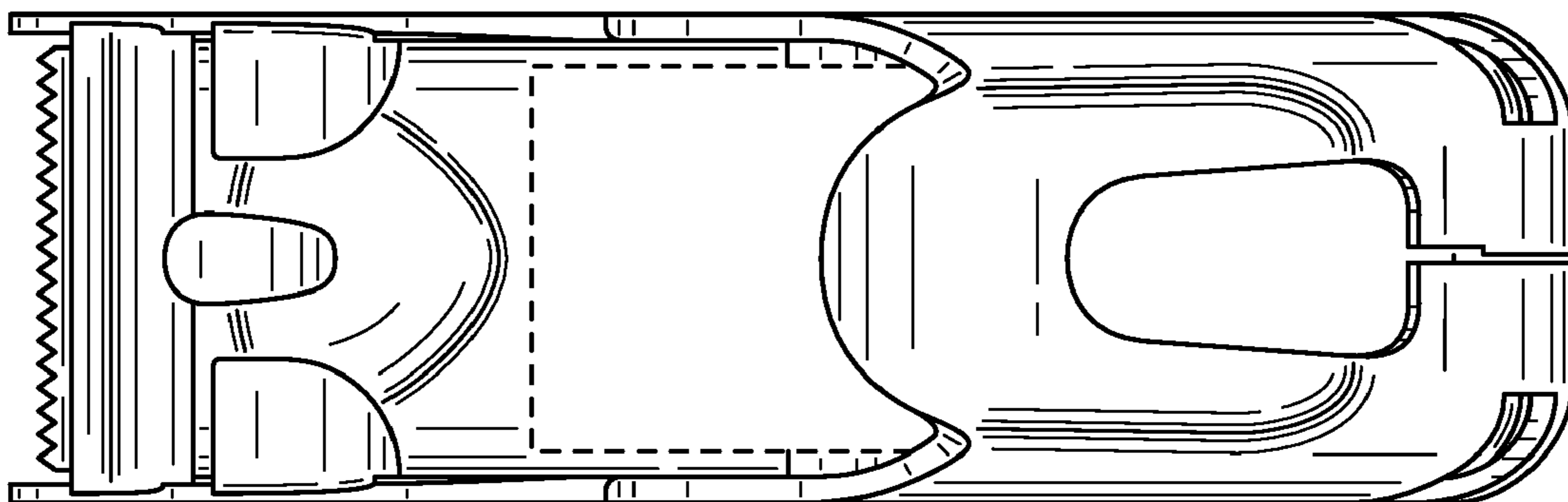


FIG. 7