



US00D579978S

(12) **United States Design Patent**
Yu et al.

(10) **Patent No.:** **US D579,978 S**
(45) **Date of Patent:** **** Nov. 4, 2008**

(54) **PEN**
(75) Inventors: **Fei Yu**, Ningbo (CN); **Jie Ge**, Ningbo (CN)
(73) Assignee: **Beifa Group Co., Ltd.**, Ningbo (CN)
(**) Term: **14 Years**
(21) Appl. No.: **29/284,662**
(22) Filed: **Sep. 12, 2007**

(30) **Foreign Application Priority Data**
Apr. 11, 2007 (CN) 2007 3 0009285
(51) **LOC (8) Cl.** **19-06**
(52) **U.S. Cl.** **D19/48**
(58) **Field of Classification Search** D19/35,
D19/36, 41-51, 53-57; 24/11 R, 11 F, 11 P;
401/52, 99, 100, 104-109, 192, 195, 196
See application file for complete search history.

(56) **References Cited**
U.S. PATENT DOCUMENTS
D141,858 S 7/1945 Ullman
D265,212 S * 6/1982 Spiegel D19/47
D269,189 S 5/1983 Sakaoka
D283,901 S 5/1986 Horntrich
D323,186 S * 1/1992 Clark et al. D19/48
D355,932 S * 2/1995 Beffa D19/36
D358,170 S * 5/1995 Osada D19/55
D363,739 S * 10/1995 Petrillo D19/48
D391,153 S * 2/1998 Poisson et al. D19/48

D395,447 S * 6/1998 Izushima D19/49
D406,604 S * 3/1999 Andrews et al. D19/48
D410,682 S * 6/1999 Izushima D19/51
D413,926 S * 9/1999 Polidoro D19/48
D413,927 S * 9/1999 Izushima D19/48
D417,891 S * 12/1999 Izushima D19/48
D430,607 S * 9/2000 Matsuzaki et al. D19/49
D471,233 S * 3/2003 Geiselhart et al. D19/55
D472,928 S * 4/2003 Ikeda D19/51
D500,792 S * 1/2005 Bain et al. D19/48
D562,384 S * 2/2008 Qiu D19/36
D562,894 S * 2/2008 Nishida D19/49

* cited by examiner

Primary Examiner—Elizabeth A Albert
(74) *Attorney, Agent, or Firm*—Christensen O'Connor Johnson Kindness PLLC

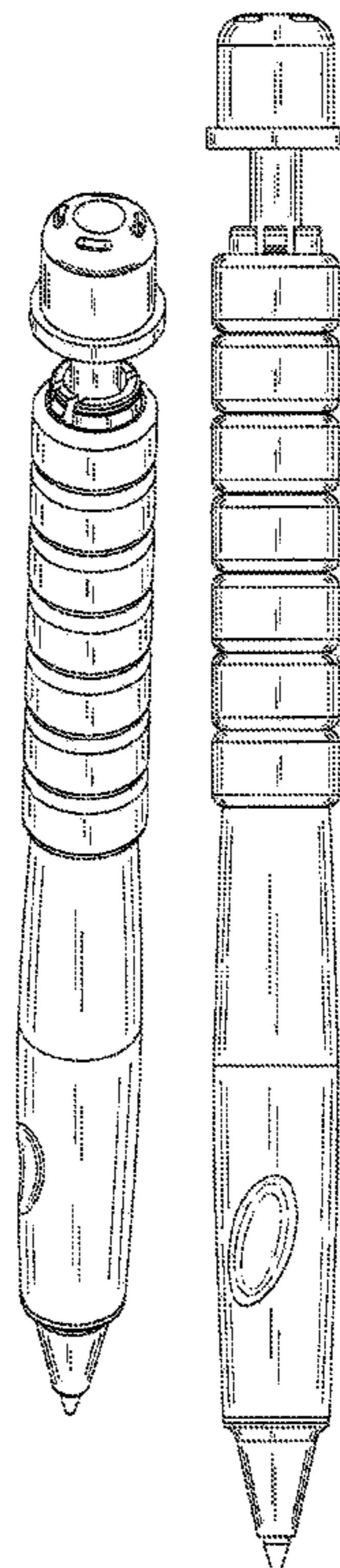
(57) **CLAIM**

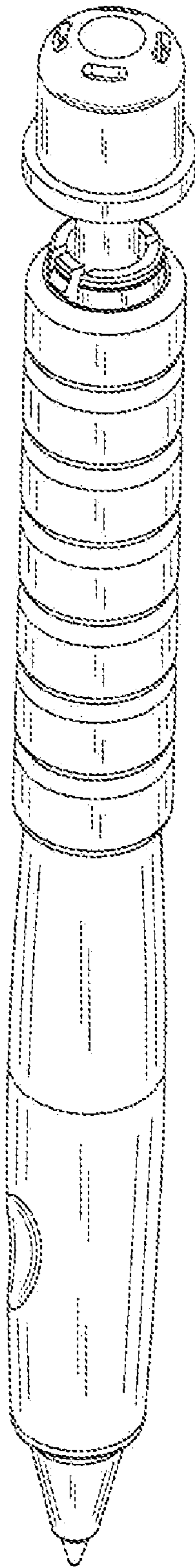
The ornamental design for a pen, as shown and described.

DESCRIPTION

FIG. 1 is an upper front left perspective view of a pen showing our new design;
FIG. 2 is a left side elevation view thereof;
FIG. 3 is a top plan view thereof;
FIG. 4 is a front elevation view thereof;
FIG. 5 is a right side elevation view thereof;
FIG. 6 is a bottom plan view thereof; and,
FIG. 7 is a rear elevation view thereof.

1 Claim, 3 Drawing Sheets





Patented by
C. J. C. Co.
New York, N.Y.

Fig. 2

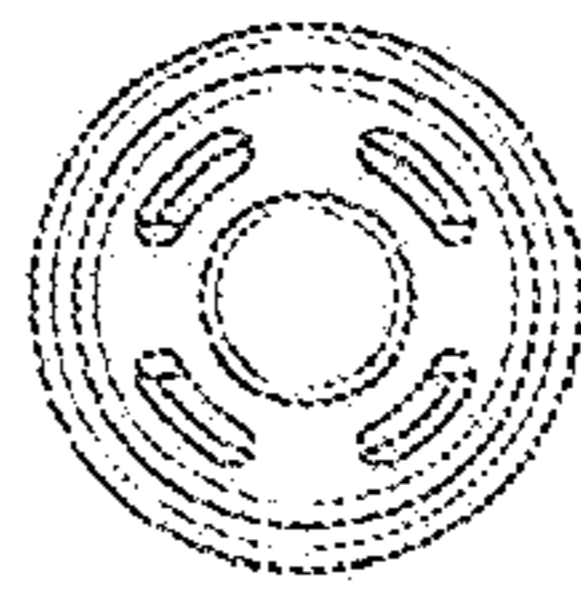
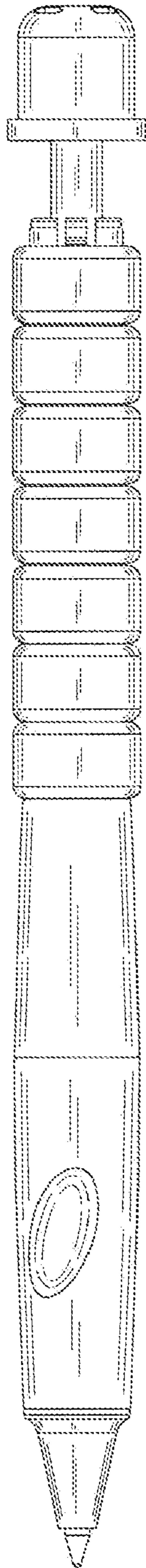
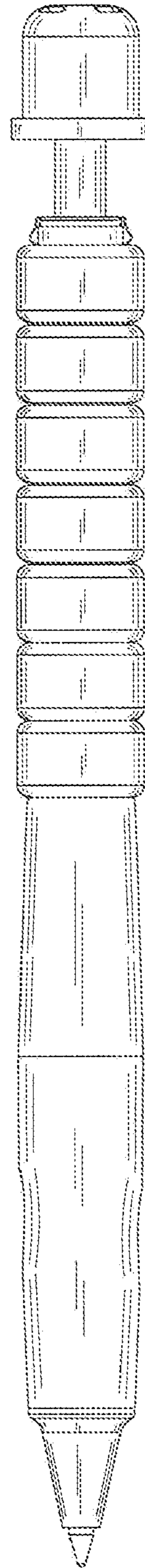


Fig. 3

Fig. 4



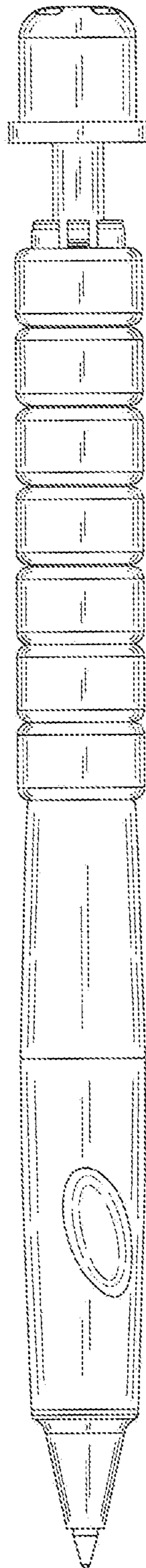


Fig. 5

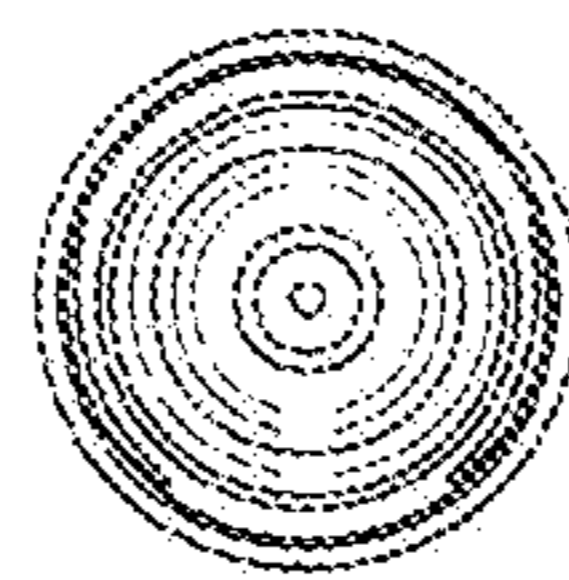


Fig. 6

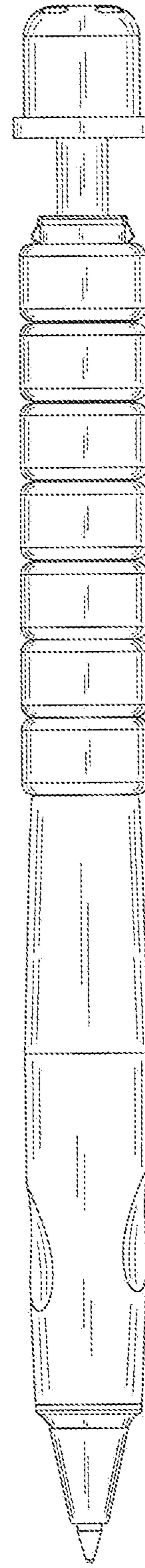


Fig. 7