



US00D579972S

(12) **United States Design Patent**  
**Meda et al.**

(10) **Patent No.:** **US D579,972 S**  
(45) **Date of Patent:** **\*\* Nov. 4, 2008**

(54) **MULTIFUNCTIONAL PRINTER**

(75) Inventors: **Alberto Meda**, Milan (IT); **James Irvine**, Milan (IT)

(73) Assignee: **Telecom Italia S.p.A.**, Milan (IT)

(\*\*) Term: **14 Years**

(21) Appl. No.: **29/263,642**

(22) Filed: **Jul. 27, 2006**

(30) **Foreign Application Priority Data**

Jan. 27, 2006 (EM) ..... 000470463-0001  
Jan. 27, 2006 (EM) ..... 000470463-0002

(51) **LOC (8) Cl.** ..... **14-02**

(52) **U.S. Cl.** ..... **D18/50; D14/422; D18/36**

(58) **Field of Classification Search** ..... D18/50,  
D18/54, 54.1, 55; D14/420-425, 462-470;  
400/613, 613.1-613.4, 691-694, 690.1-690.4  
See application file for complete search history.

(56) **References Cited**

**U.S. PATENT DOCUMENTS**

D314,975 S \* 2/1991 Katada ..... D18/37  
D317,938 S \* 7/1991 Komada et al. .... D18/36

D362,675 S \* 9/1995 Umeda et al. .... D18/39  
D398,632 S \* 9/1998 Dodge et al. .... D18/36  
D453,159 S \* 1/2002 Nakamura ..... D14/422  
D466,148 S \* 11/2002 Yang ..... D18/36  
D466,917 S \* 12/2002 Liu ..... D18/36  
D491,219 S \* 6/2004 Shimamura ..... D18/50  
D520,558 S \* 5/2006 Matsumoto et al. .... D18/50

\* cited by examiner

*Primary Examiner*—Cathy Anne MacCormac

(74) *Attorney, Agent, or Firm*—Venable LLP; Robert Kinberg; Steven J. Schwarz

(57) **CLAIM**

The ornamental design for a multifunctional printer, as shown and described.

**DESCRIPTION**

FIG. 1 is perspective view from the top-front-right side of the multifunctional printer of our new design;

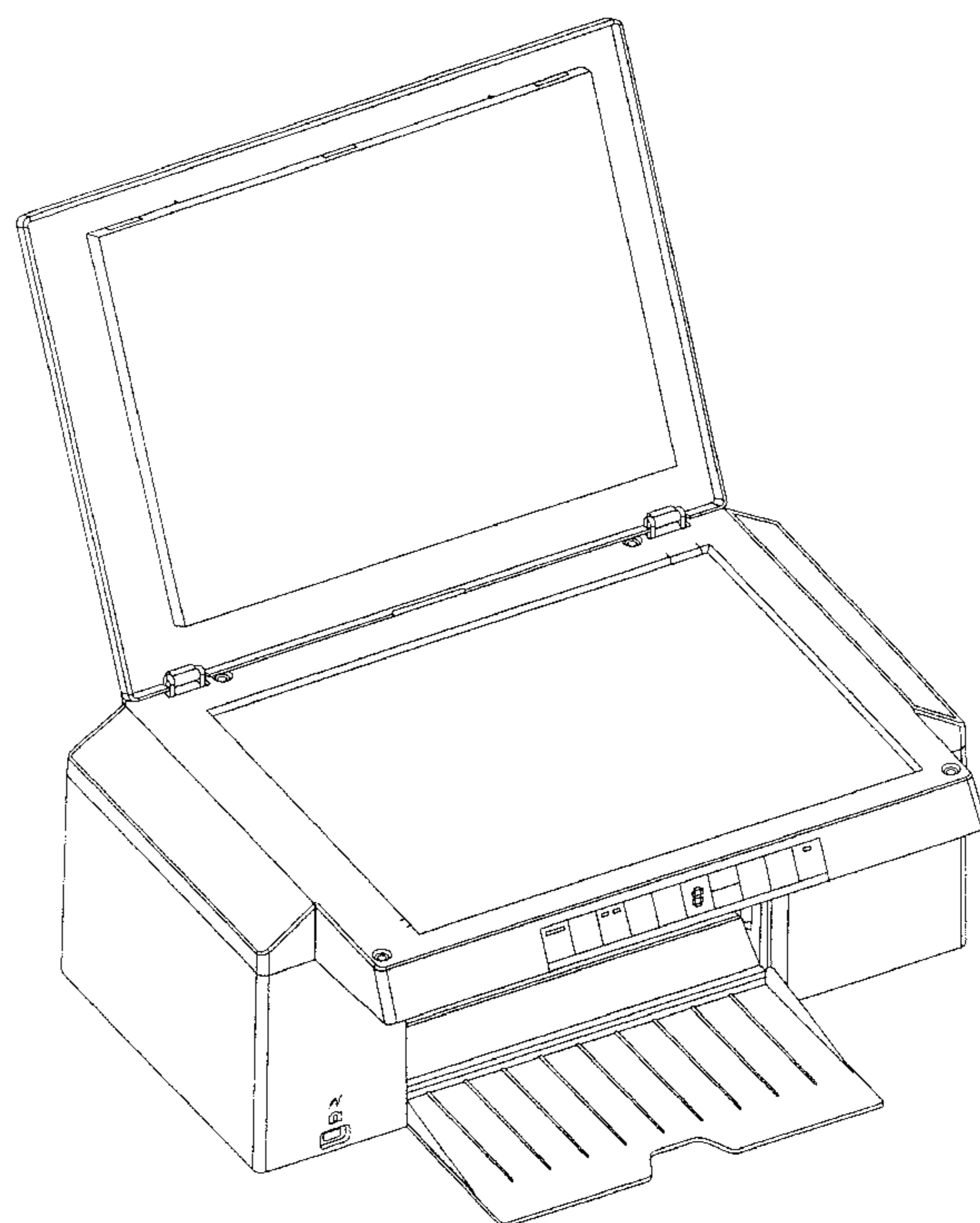
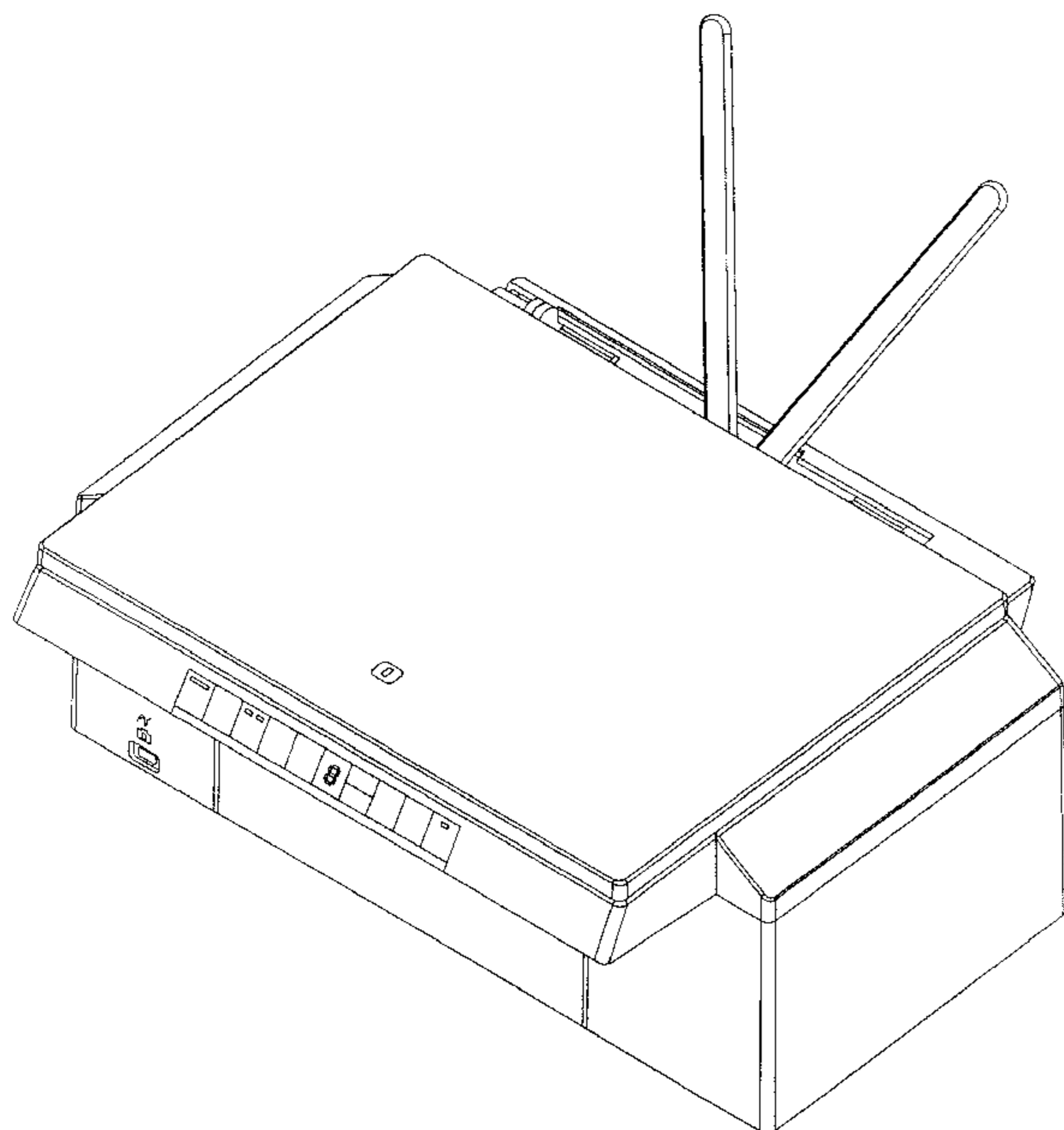
FIG. 2 is a front elevation thereof;

FIG. 3 is a left side elevation thereof;

FIG. 4 is a top elevation thereof; and,

FIG. 5 is a perspective view from the top-front-left side thereof in an opened condition.

**1 Claim, 5 Drawing Sheets**



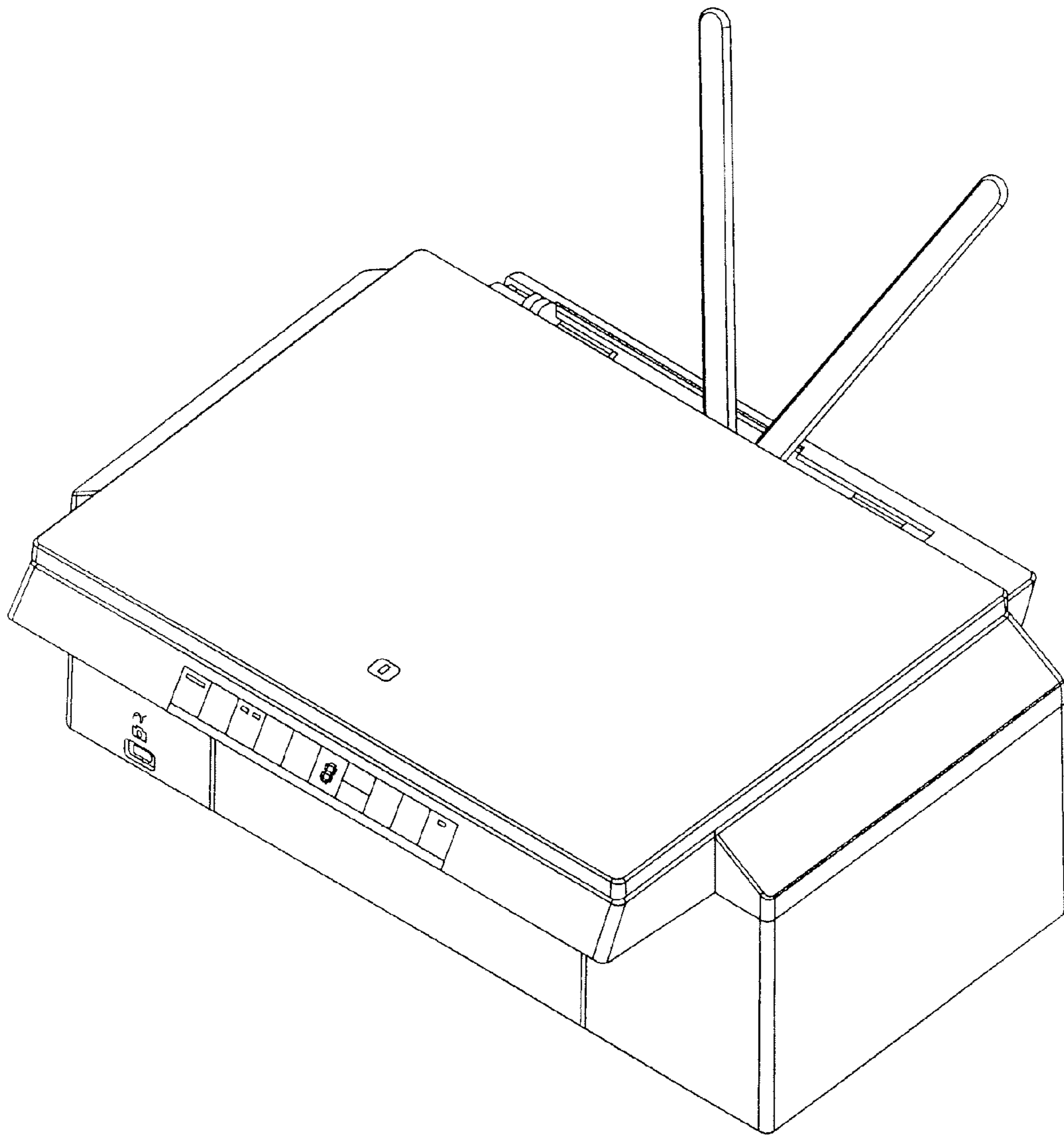


FIG. 1

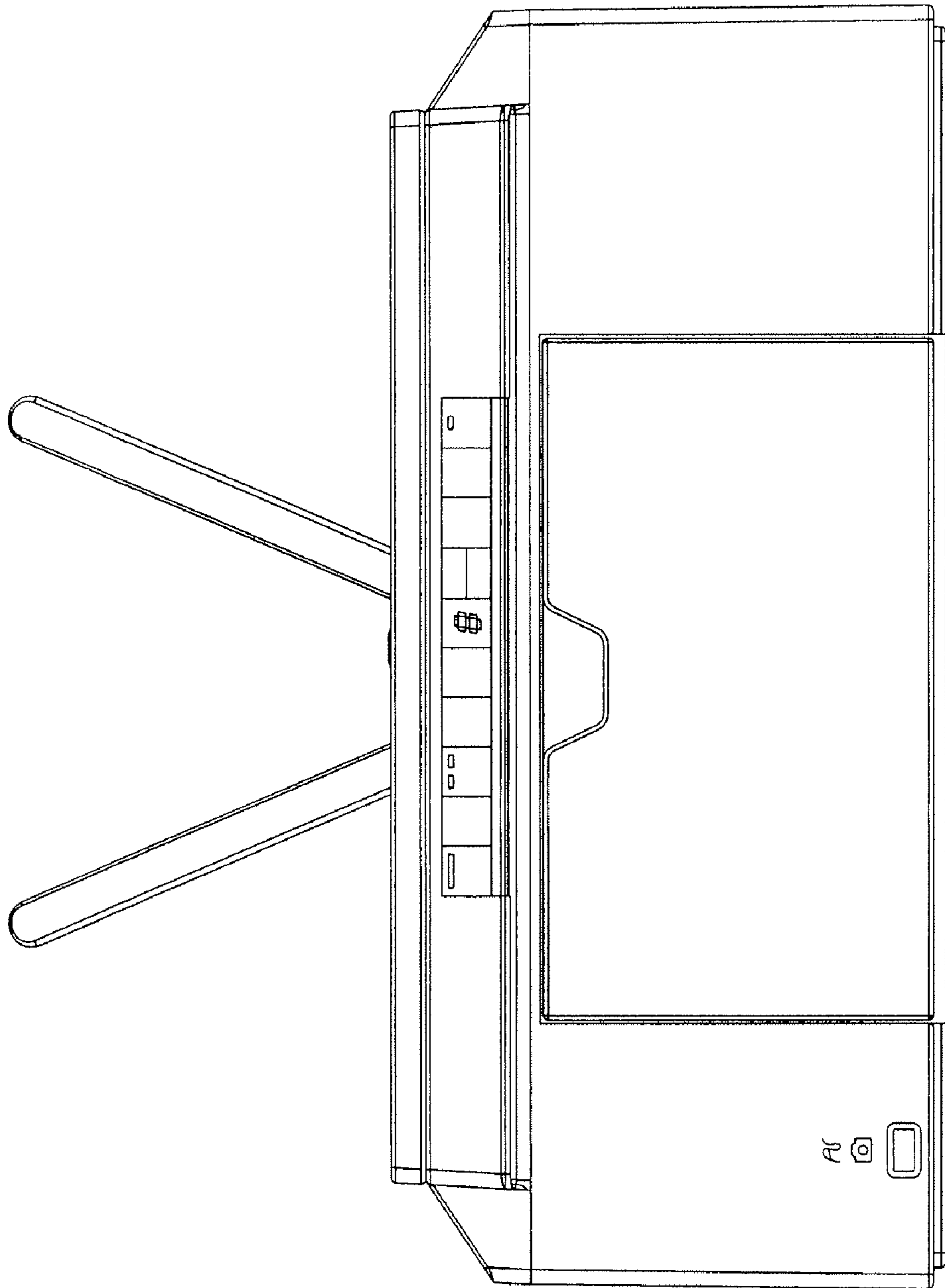


FIG. 2

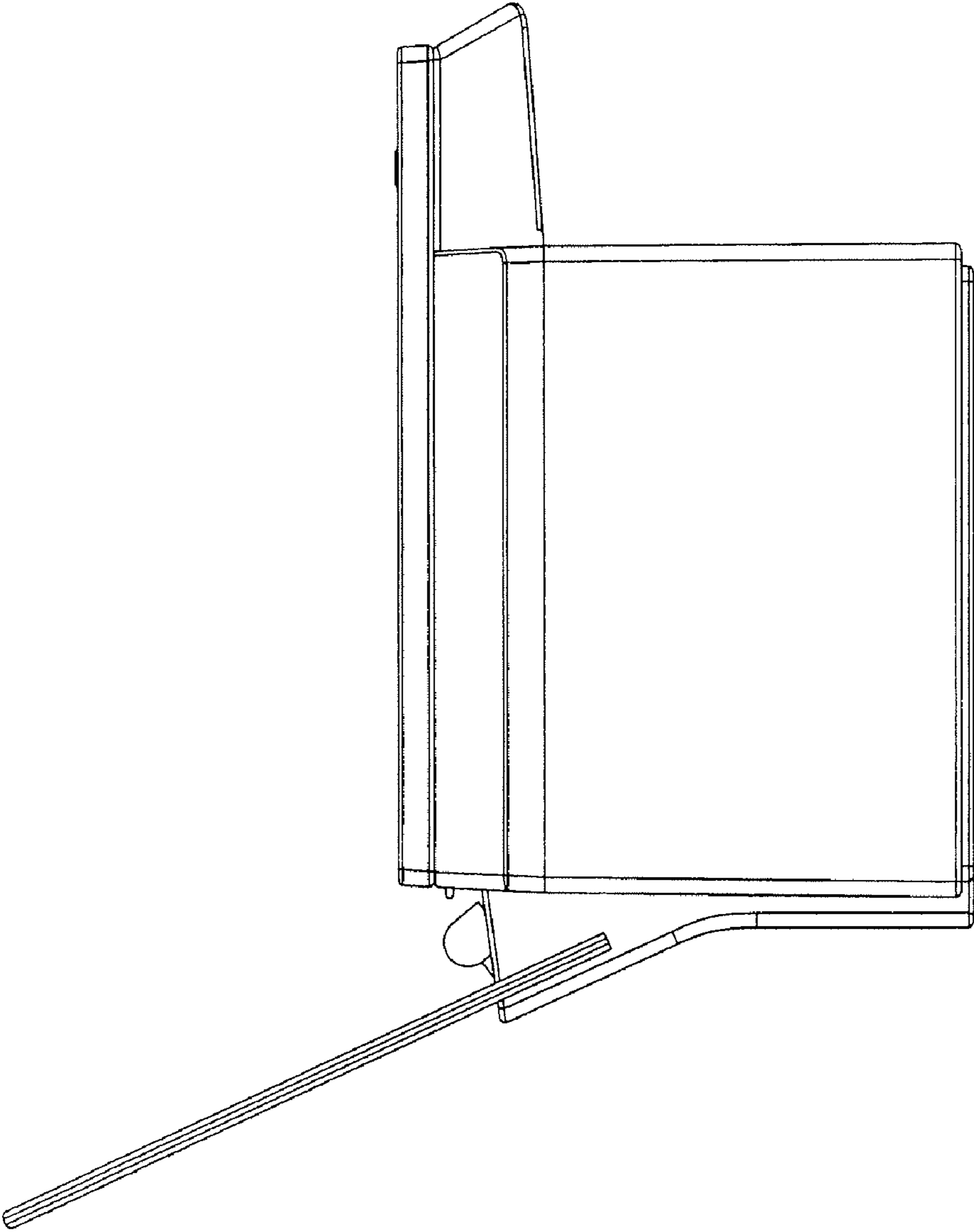


FIG. 3

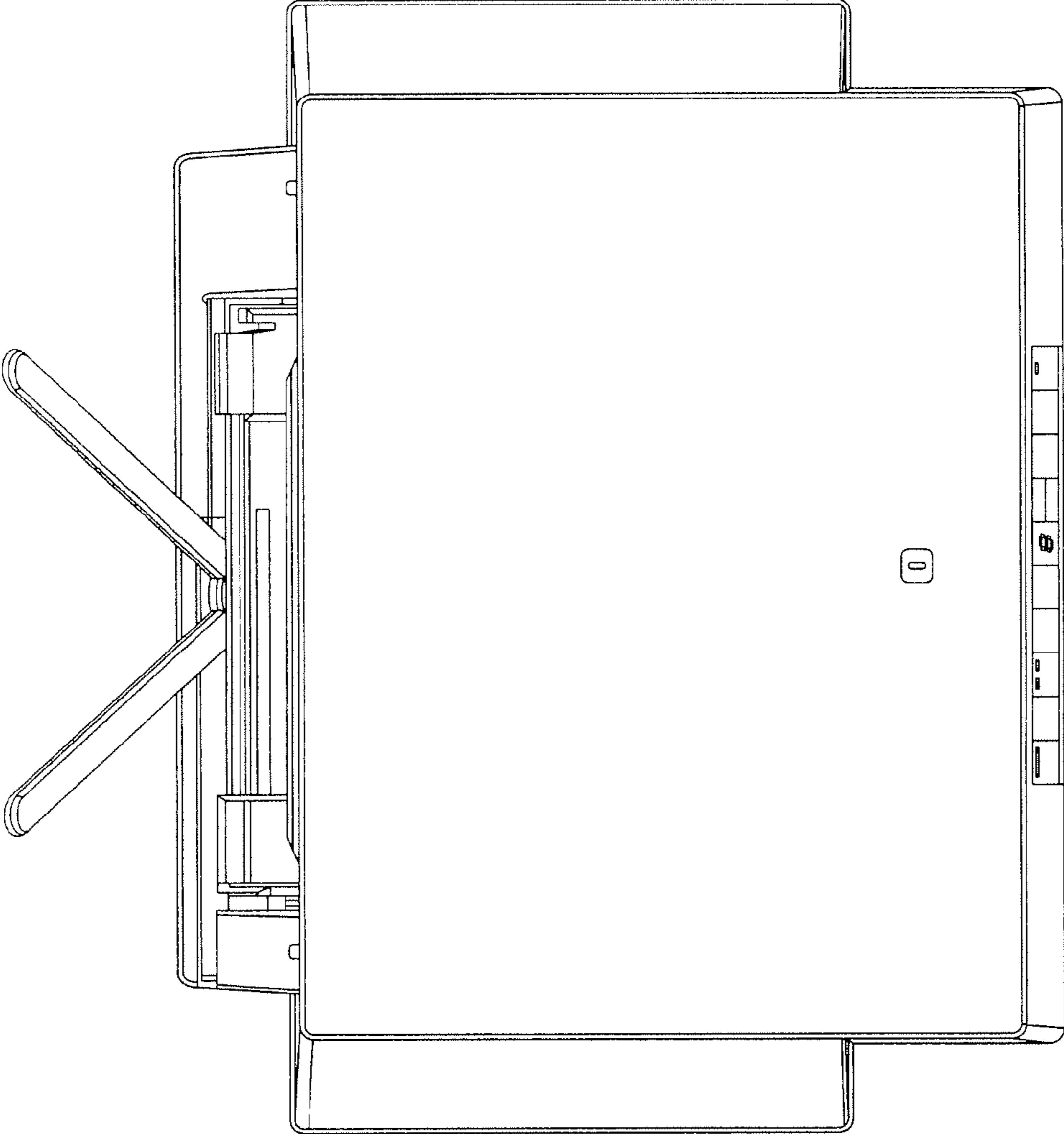


FIG. 4

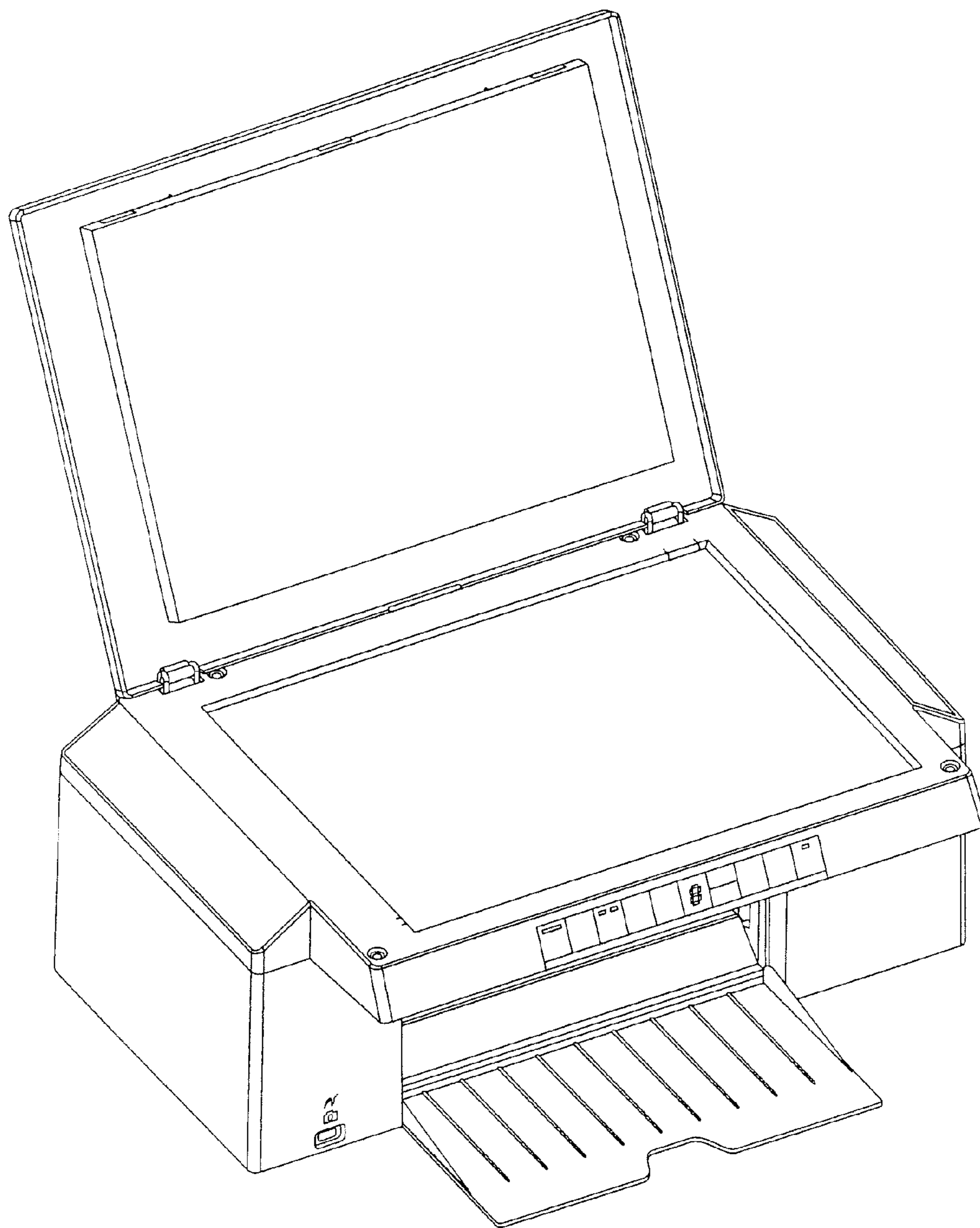


FIG. 5