



US00D579967S

(12) **United States Design Patent**
Jones et al.

(10) **Patent No.:** **US D579,967 S**

(45) **Date of Patent:** **** Nov. 4, 2008**

(54) **WEB CAM WITH STAND**

(75) Inventors: **Chris Jones**, San Francisco, CA (US);
John Lapetina, San Francisco, CA
(US); **Mark Martinez**, San Francisco,
CA (US); **Andrew Heymann**, San Jose,
CA (US); **Ivan Ho**, Fremont, CA (US);
Martin Wang, Hsinchu (TW)

(73) Assignee: **Logitech Europe S.A.** (CH)

(**) Term: **14 Years**

(21) Appl. No.: **29/285,578**

(22) Filed: **Mar. 31, 2007**

(51) **LOC (8) Cl.** **16-01**

(52) **U.S. Cl.** **D16/202; D16/242**

(58) **Field of Classification Search** D16/200–205,
D16/218, 242; 248/121, 187.1; 348/373–376;
396/428, 535–541

See application file for complete search history.

(56) **References Cited**

U.S. PATENT DOCUMENTS

5,855,343	A *	1/1999	Krekelberg	248/121
6,845,954	B1 *	1/2005	Moayer et al.	248/187.1
D507,007	S *	7/2005	Sitoh et al.	D16/202
7,048,454	B2 *	5/2006	Sitoh et al.	396/428
D527,755	S *	9/2006	Wu	D16/202
D551,276	S *	9/2007	Lau	D16/242
D563,446	S *	3/2008	Stephens et al.	D16/202
2006/0170817	A1 *	8/2006	Wu	348/373

* cited by examiner

Primary Examiner—Adir Aronovich

(74) *Attorney, Agent, or Firm*—Townsend and Townsend And
Crew LLP

(57) **CLAIM**

The ornamental design for a web cam with stand, as shown
and described.

DESCRIPTION

The web cam with stand shown in the attached figures is
configured so that the stand can be folded and unfolded in
various configurations to support the web cam on various
surfaces and devices, such as a desk top or computer monitor.

FIG. 1 is a perspective view of a web cam with stand showing
my new design;

FIG. 2 is a front elevational view thereof;

FIG. 3 is a rear elevational view thereof;

FIG. 4 is a left side elevational view thereof;

FIG. 5 is a right side elevational view thereof;

FIG. 6 is a top plan view thereof;

FIG. 7 is a bottom plan view thereof;

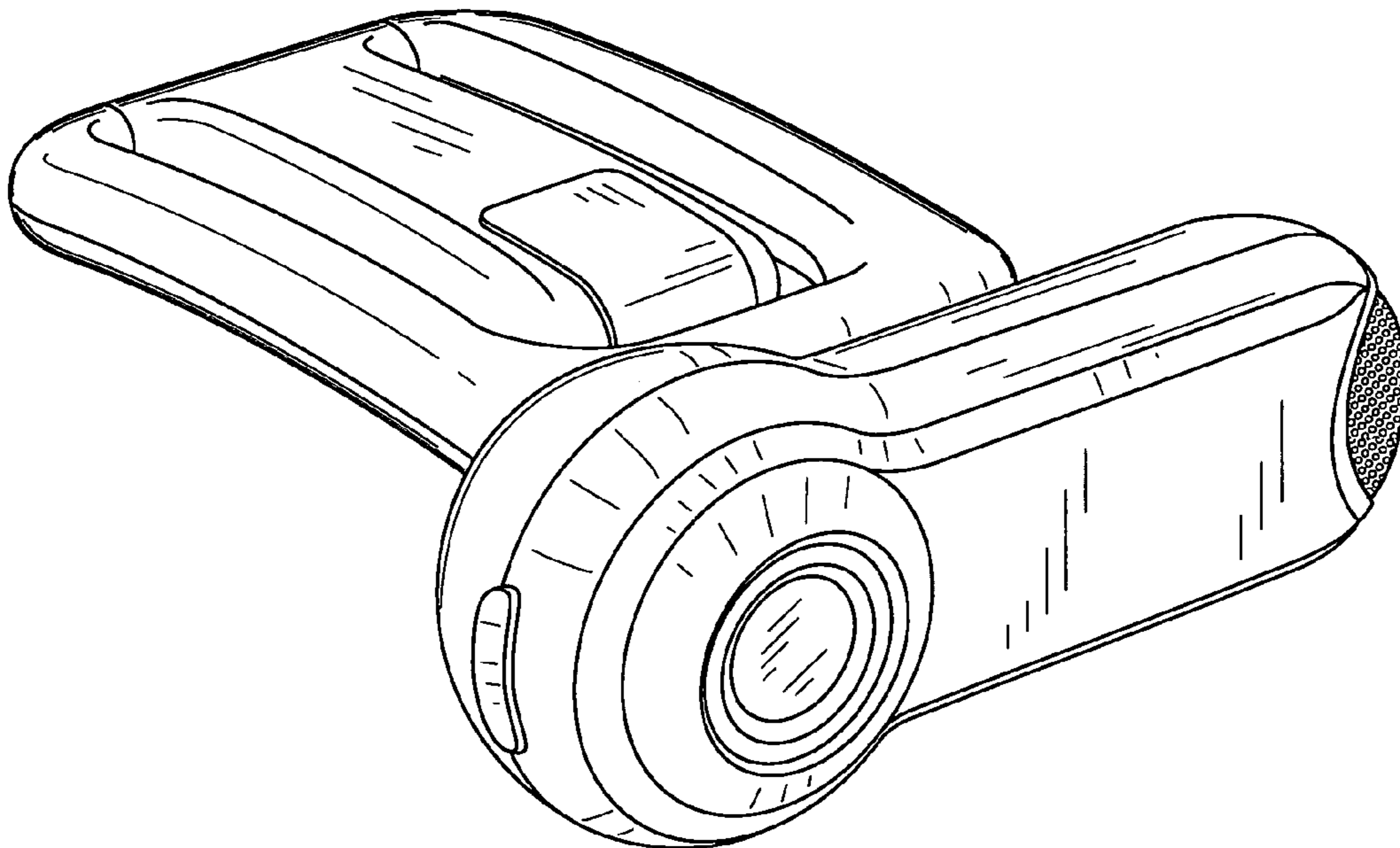
FIG. 8 is a left side elevational view thereof with the stand in
the unfolded position;

FIG. 9 is a front elevational view thereof with the stand in the
unfolded position shown in FIG. 8;

FIG. 10 is a left side elevational view thereof with the stand in
an alternate unfolded position; and,

FIG. 11 front elevational view thereof with the stand an alter-
nate unfolded position.

1 Claim, 10 Drawing Sheets



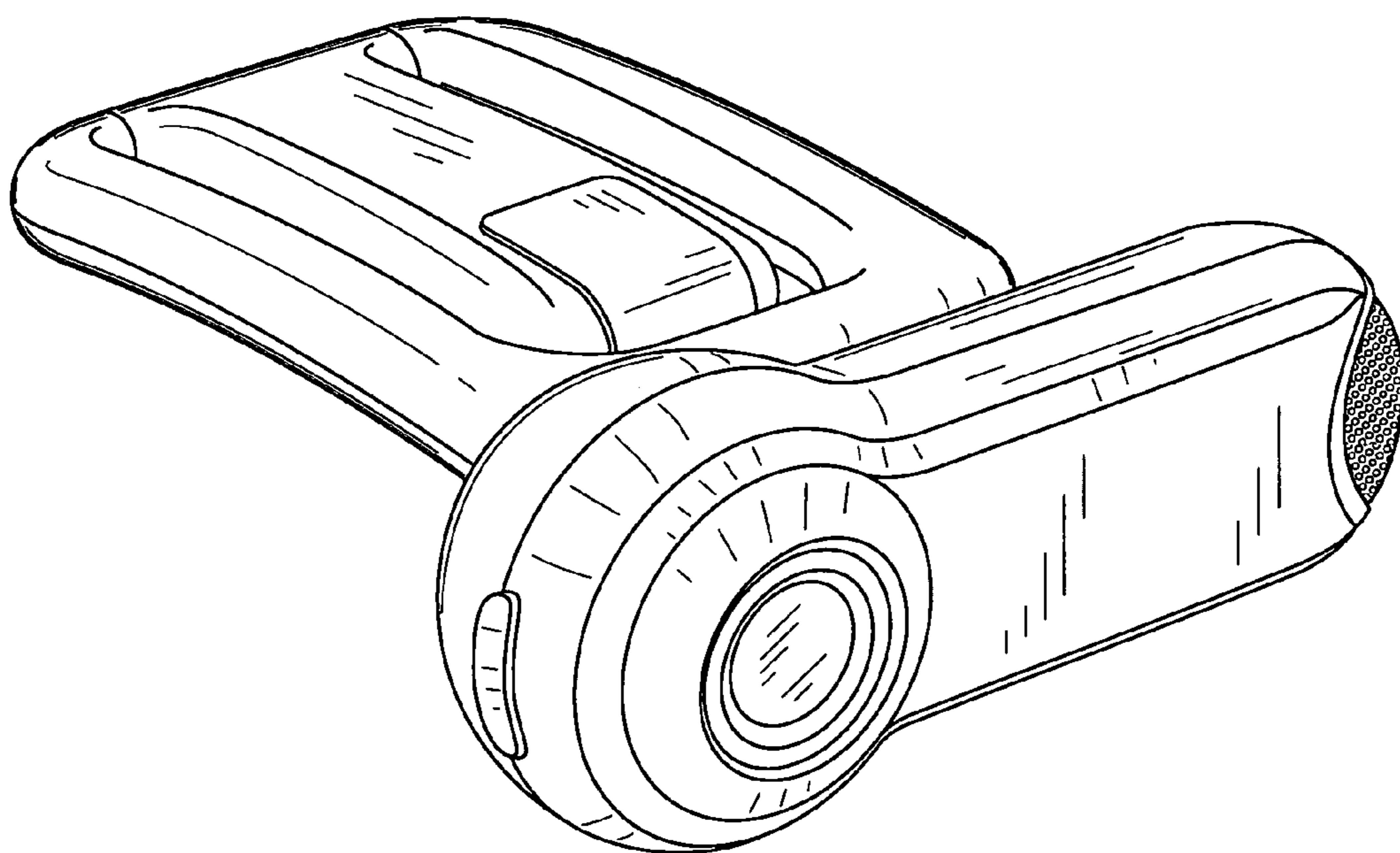


FIG. 1

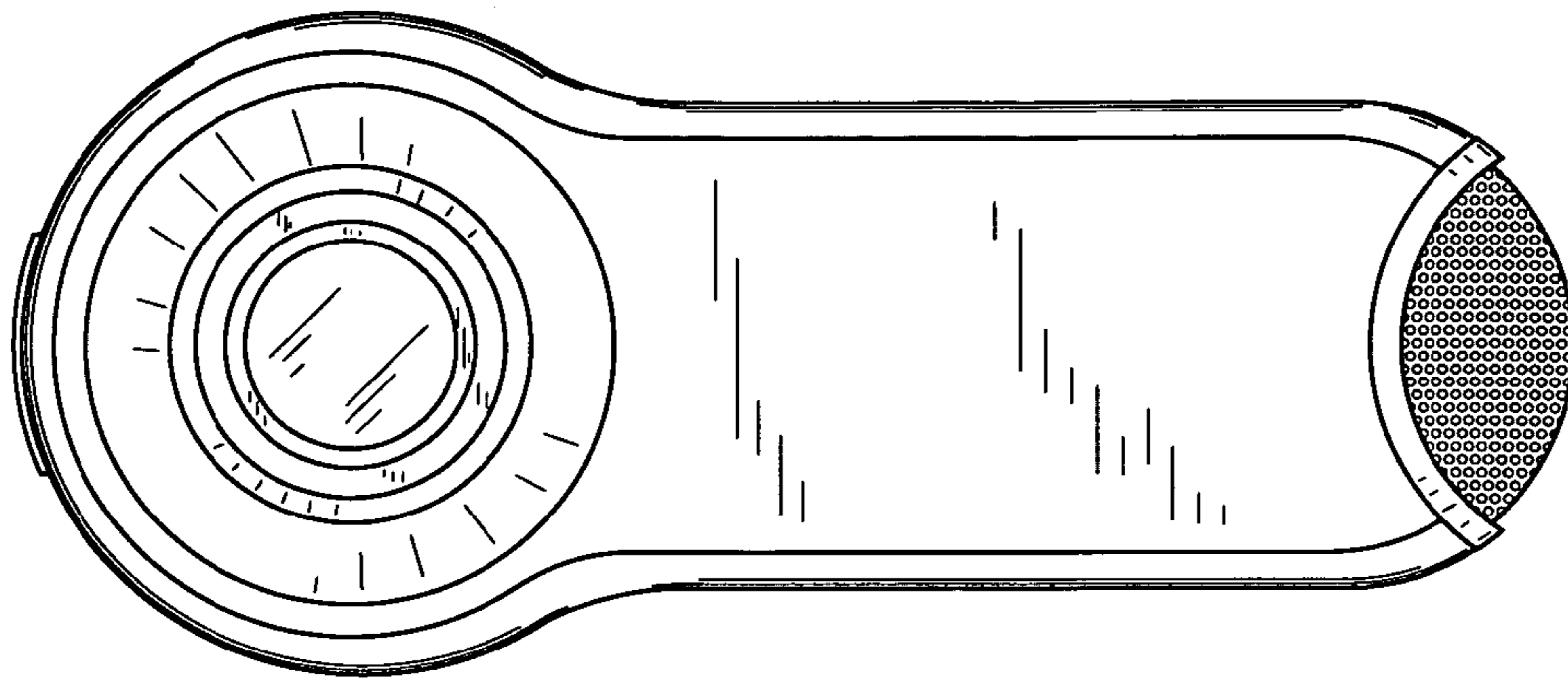


FIG. 2

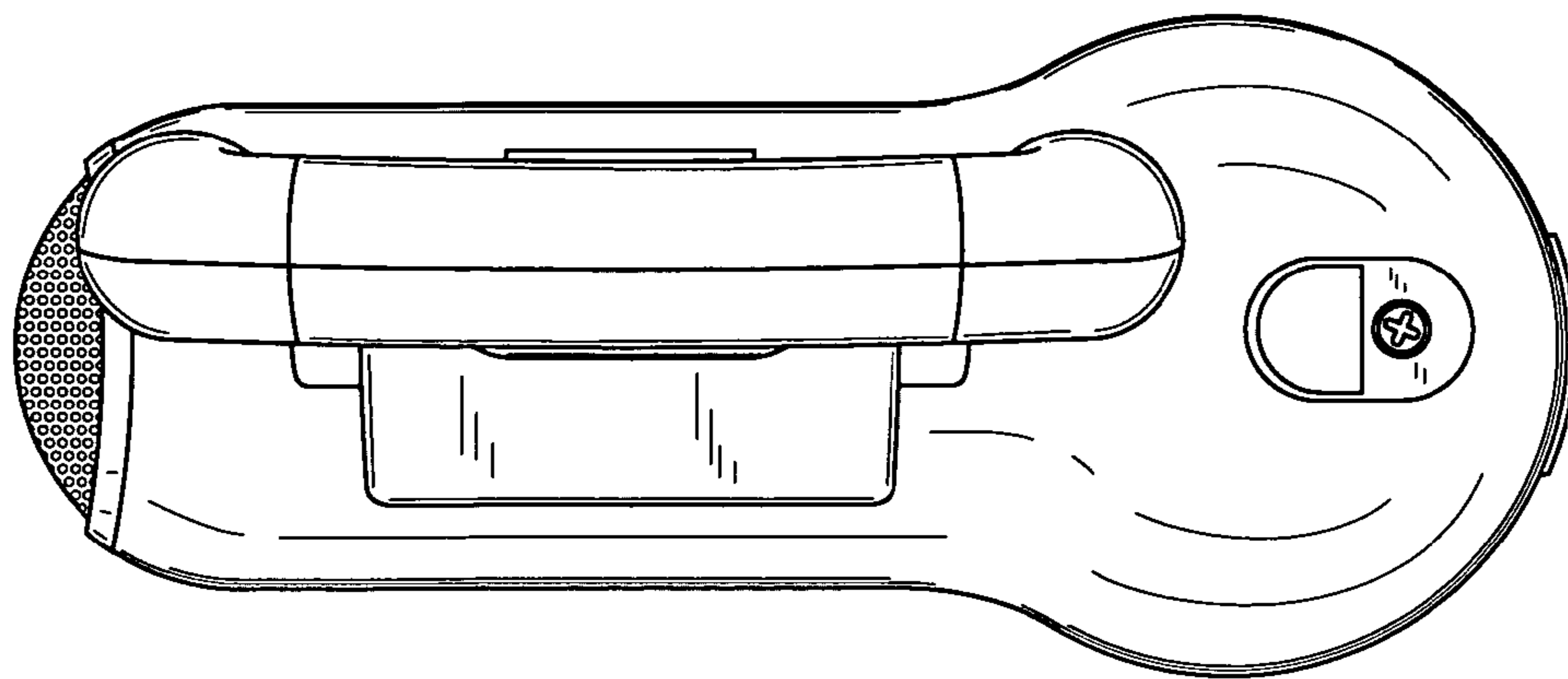


FIG. 3

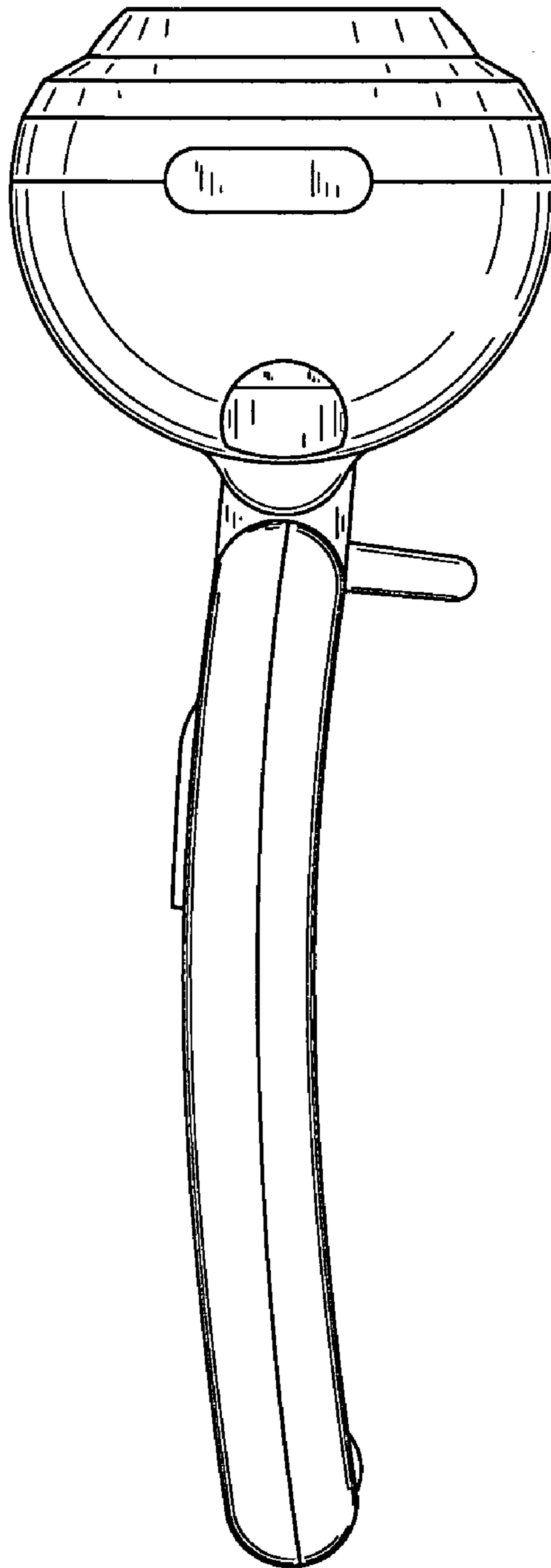


FIG. 4

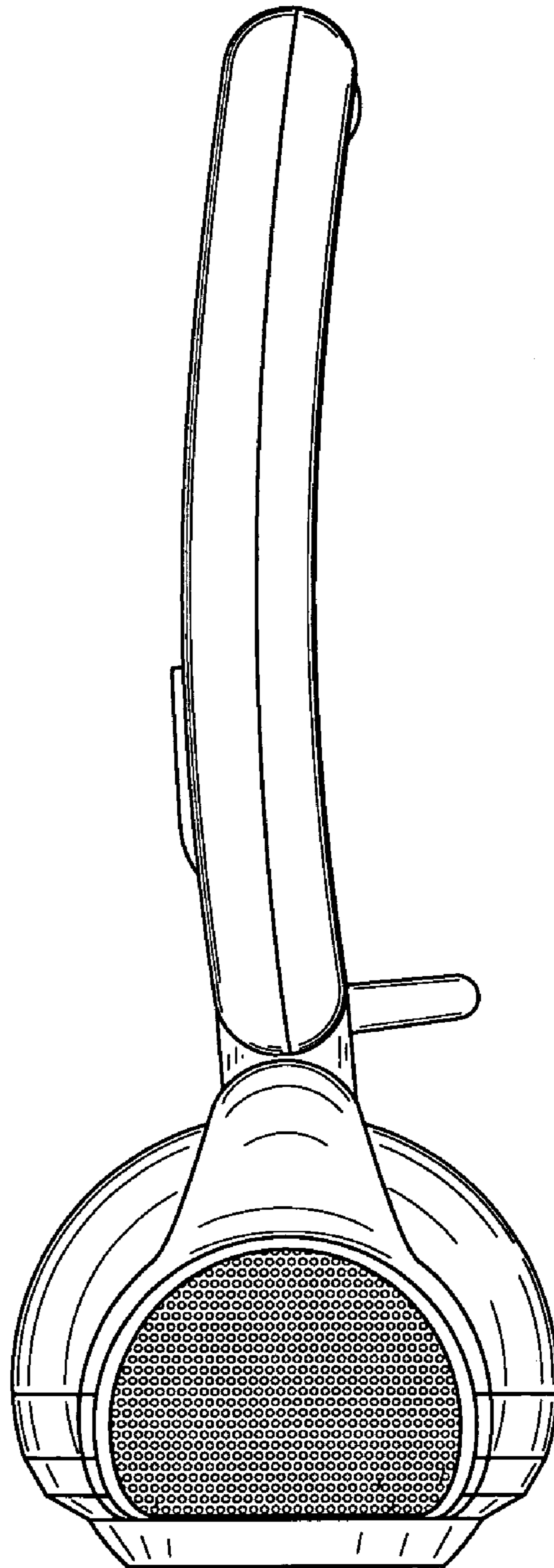


FIG. 5

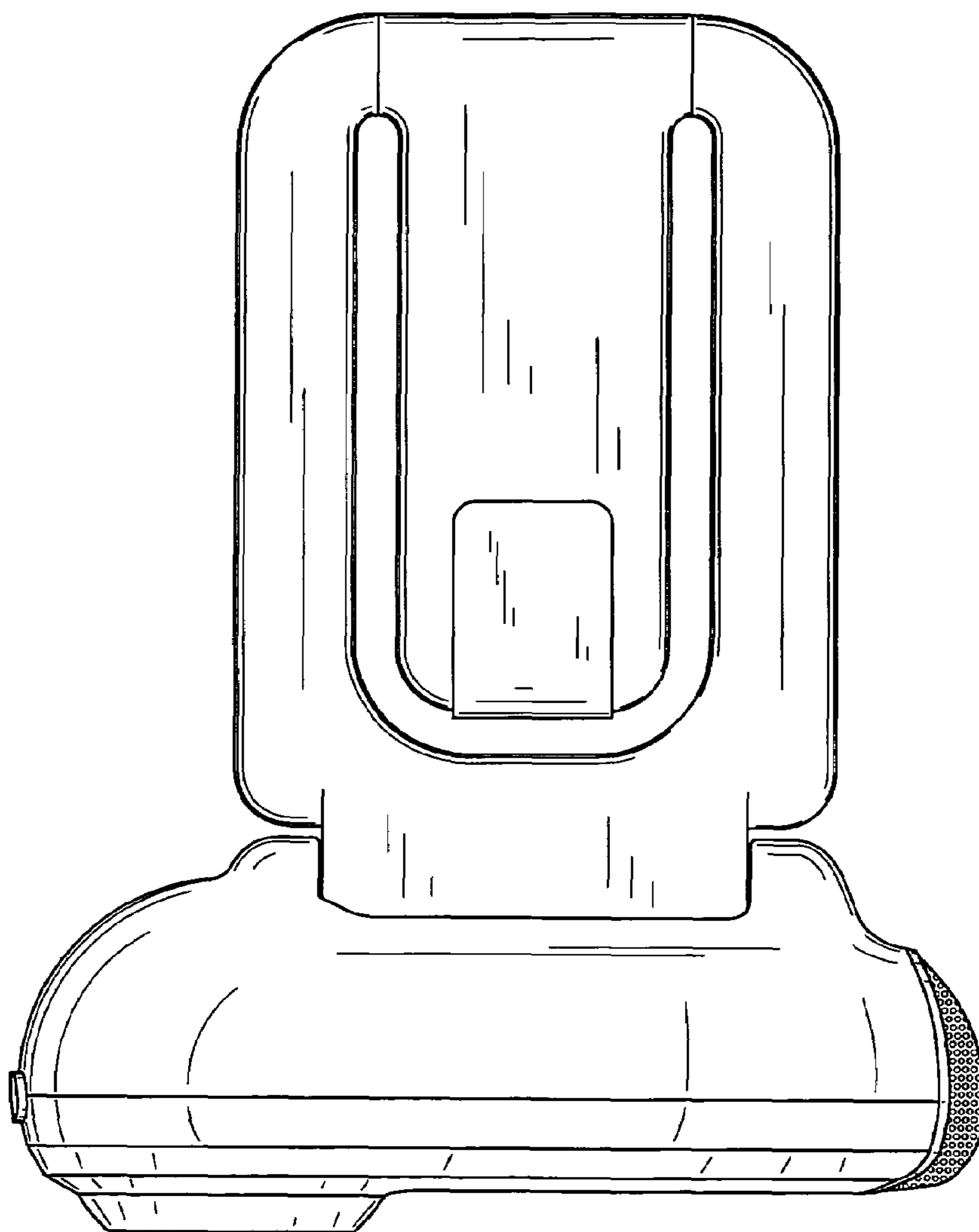


FIG. 6

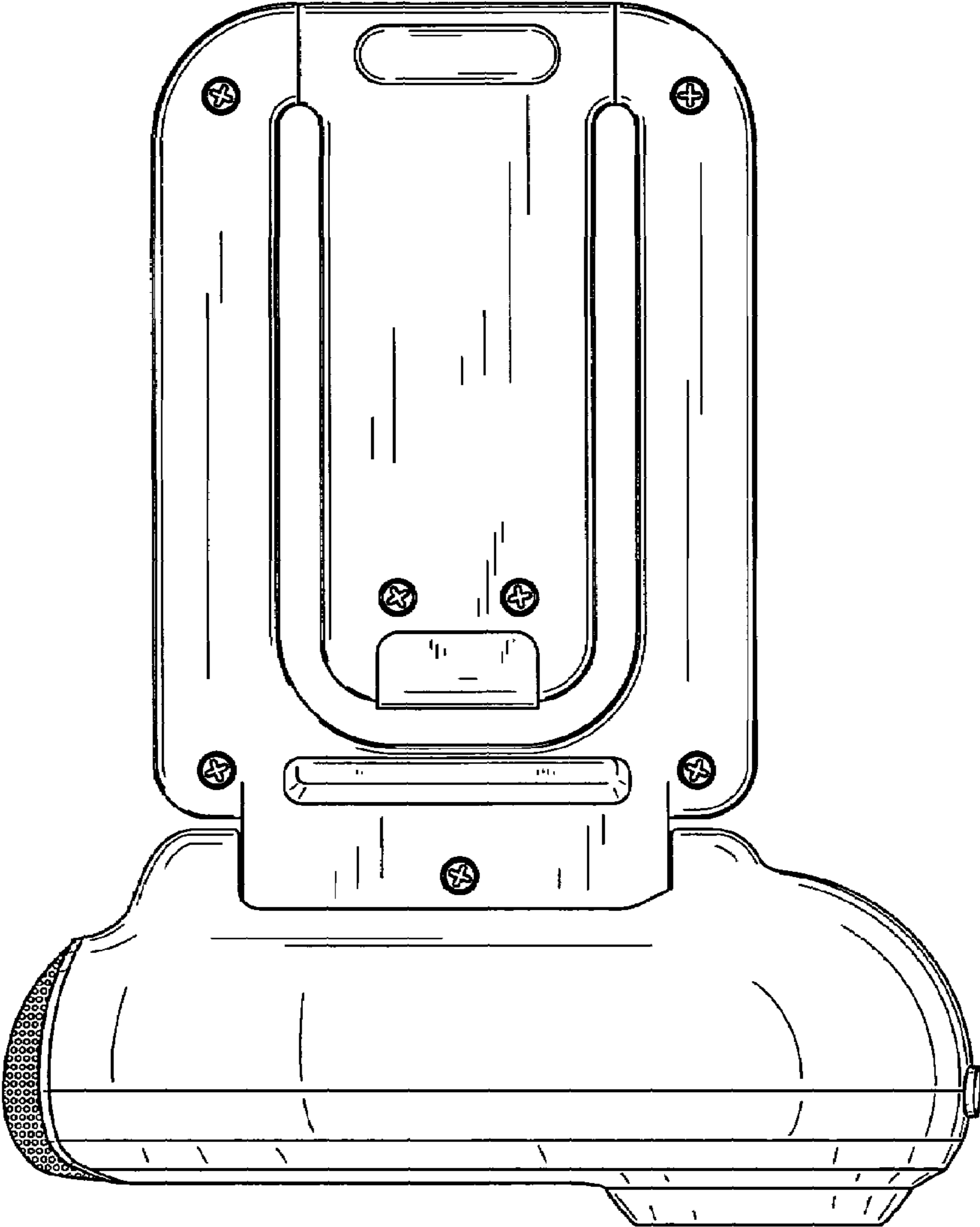


FIG. 7

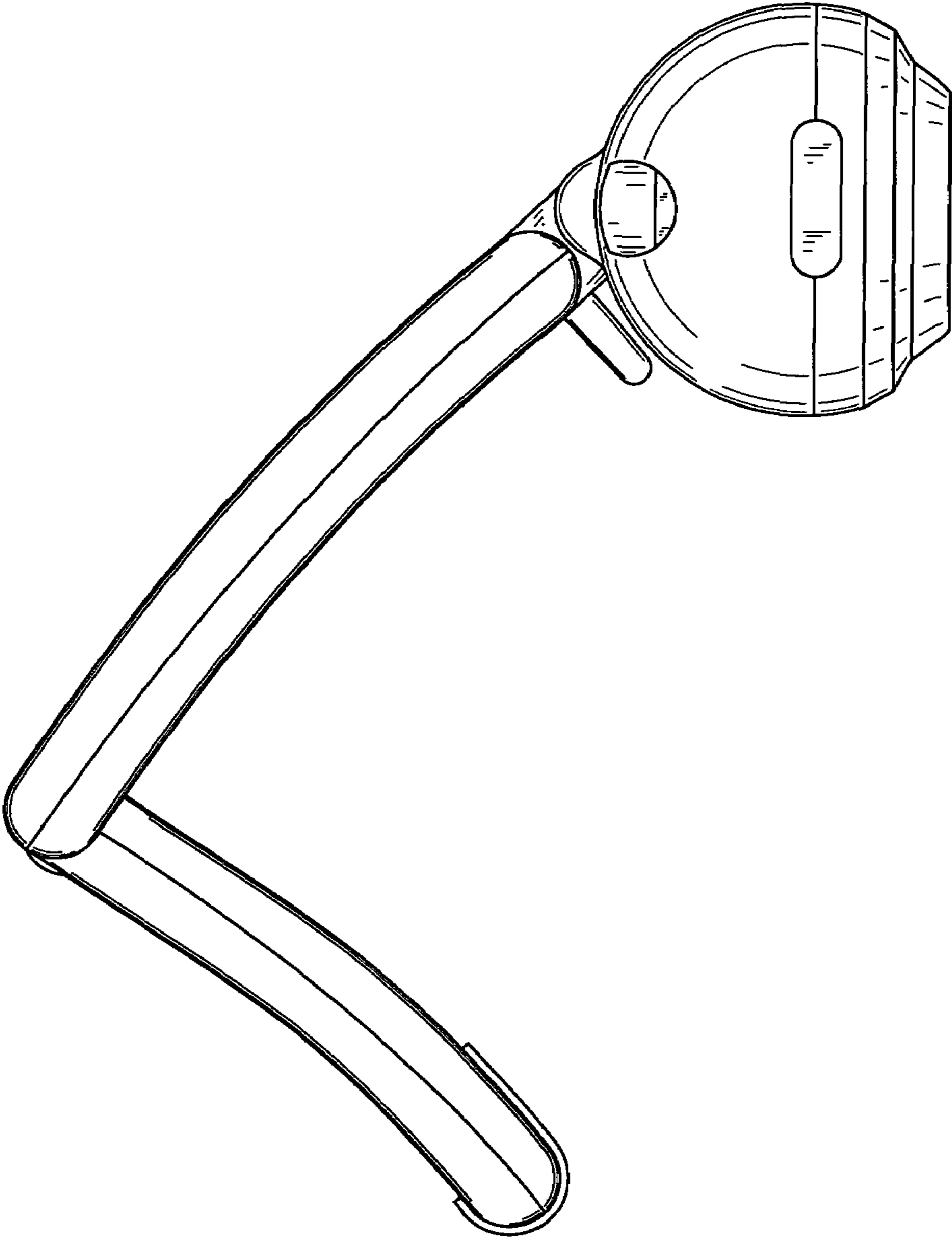


FIG. 8

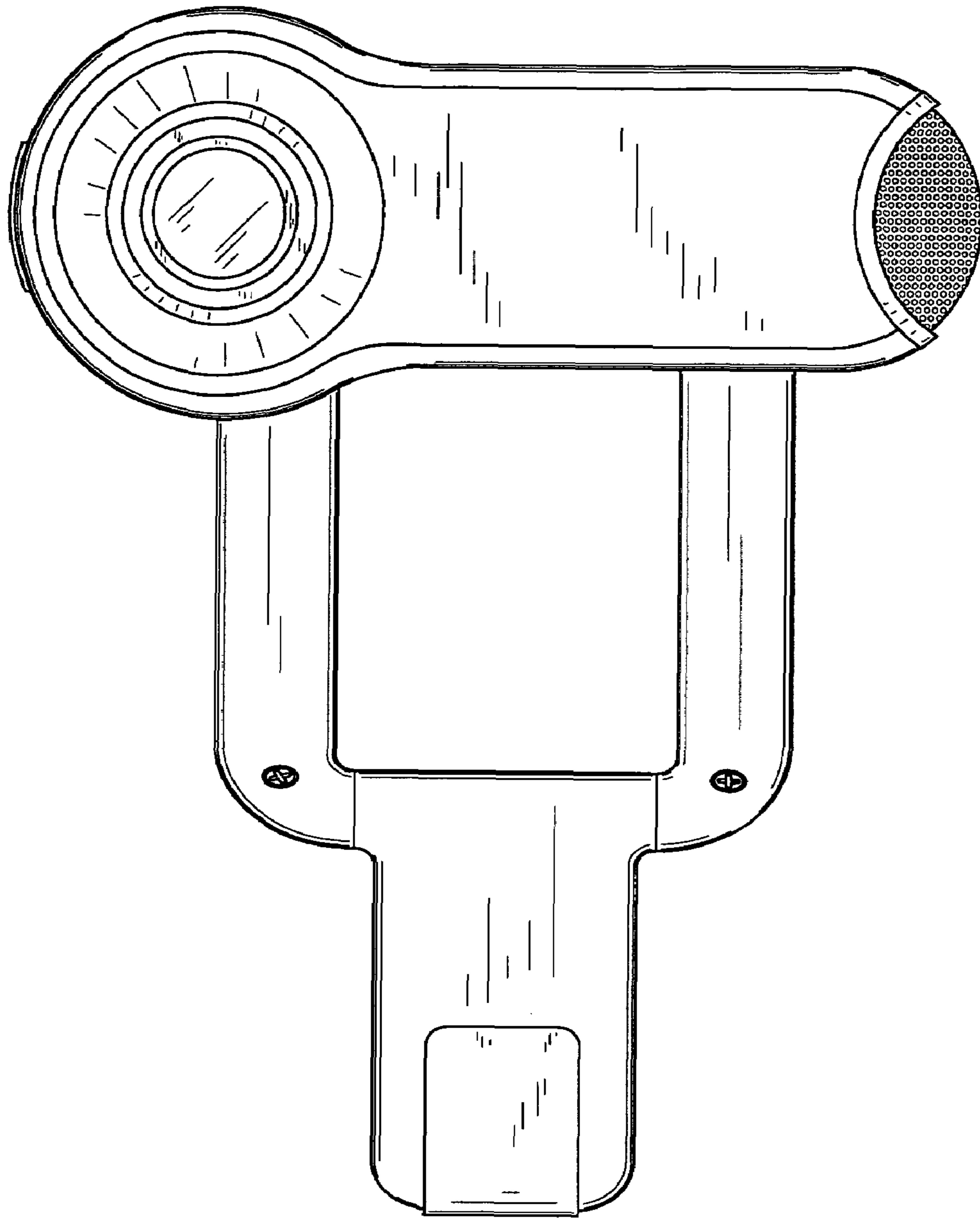


FIG. 9

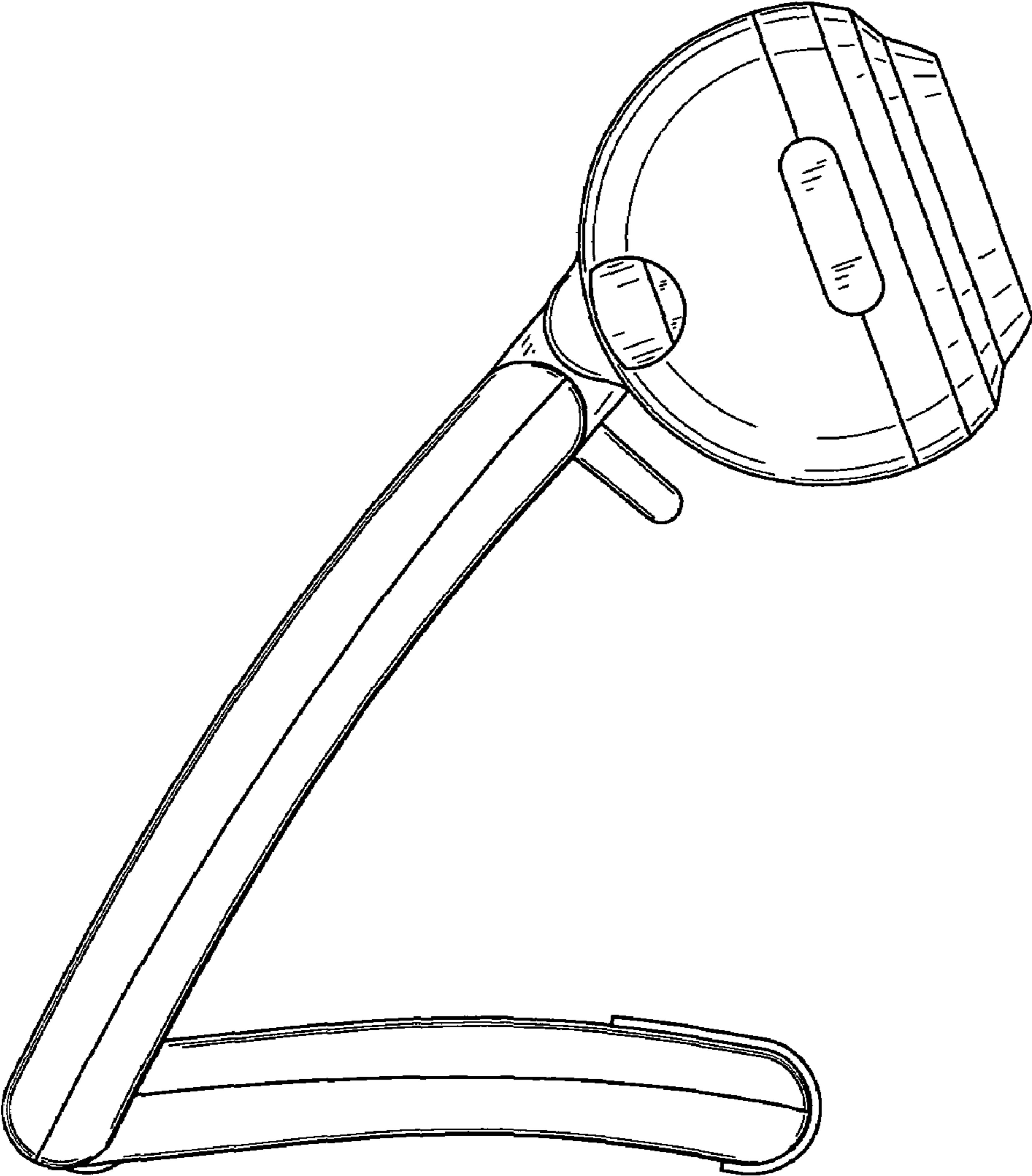


FIG. 10

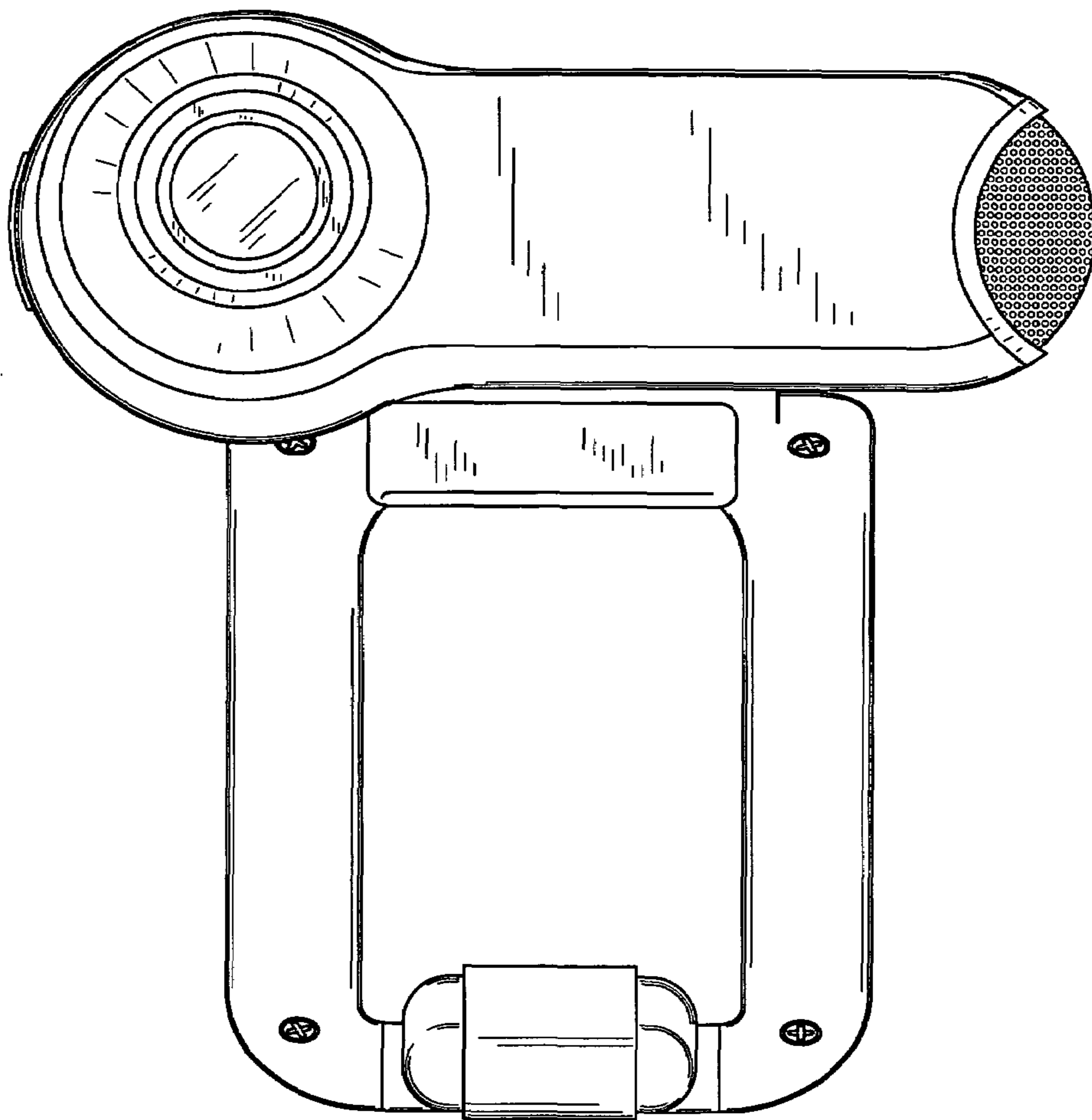


FIG. 11