



US00D579966S

(12) **United States Design Patent**
Tillack

(10) **Patent No.:** **US D579,966 S**

(45) **Date of Patent:** **** Nov. 4, 2008**

(54) **MAGNIFYING GLASS**

(75) Inventor: **Joachim Tillack**, Kronberg (DE)

(73) Assignee: **A. Schweizer GmbH Optische Fabrik**,
Forchheim (DE)

(**) Term: **14 Years**

(21) Appl. No.: **29/282,049**

(22) Filed: **Jul. 10, 2007**

(30) **Foreign Application Priority Data**

Jan. 10, 2007 (EM) 000649272

(51) **LOC (8) Cl.** **16-06**

(52) **U.S. Cl.** **D16/135**

(58) **Field of Classification Search** D16/130,
D16/135; D26/38, 44, 51; 362/109; D24/137;
359/802, 803, 805, 806-811, 812, 816-819,
359/821

See application file for complete search history.

(56) **References Cited**

U.S. PATENT DOCUMENTS

D166,597 S * 4/1952 Filsinger D16/135

D217,506 S * 5/1970 Knoetgen D16/135

D269,275 S * 6/1983 Tweedie D16/135

D303,119 S * 8/1989 Steel et al. D16/135

D324,060 S * 2/1992 Huang D16/135

D395,907 S * 7/1998 Calello D16/135

D491,590 S * 6/2004 Singer et al. D16/135

D497,626 S * 10/2004 Yip et al. D16/135

D509,840 S * 9/2005 Lewis D16/135

* cited by examiner

Primary Examiner—Paula Greene

(74) *Attorney, Agent, or Firm*—Laurence A. Greenberg;
Werner H. Stemer; Ralph E. Locher

(57) **CLAIM**

The ornamental design for the magnifying glass, as shown
and described.

DESCRIPTION

FIG. 1 is a top, side perspective view of the magnifying glass
according to my new design;

FIG. 2 is a side elevational view thereof;

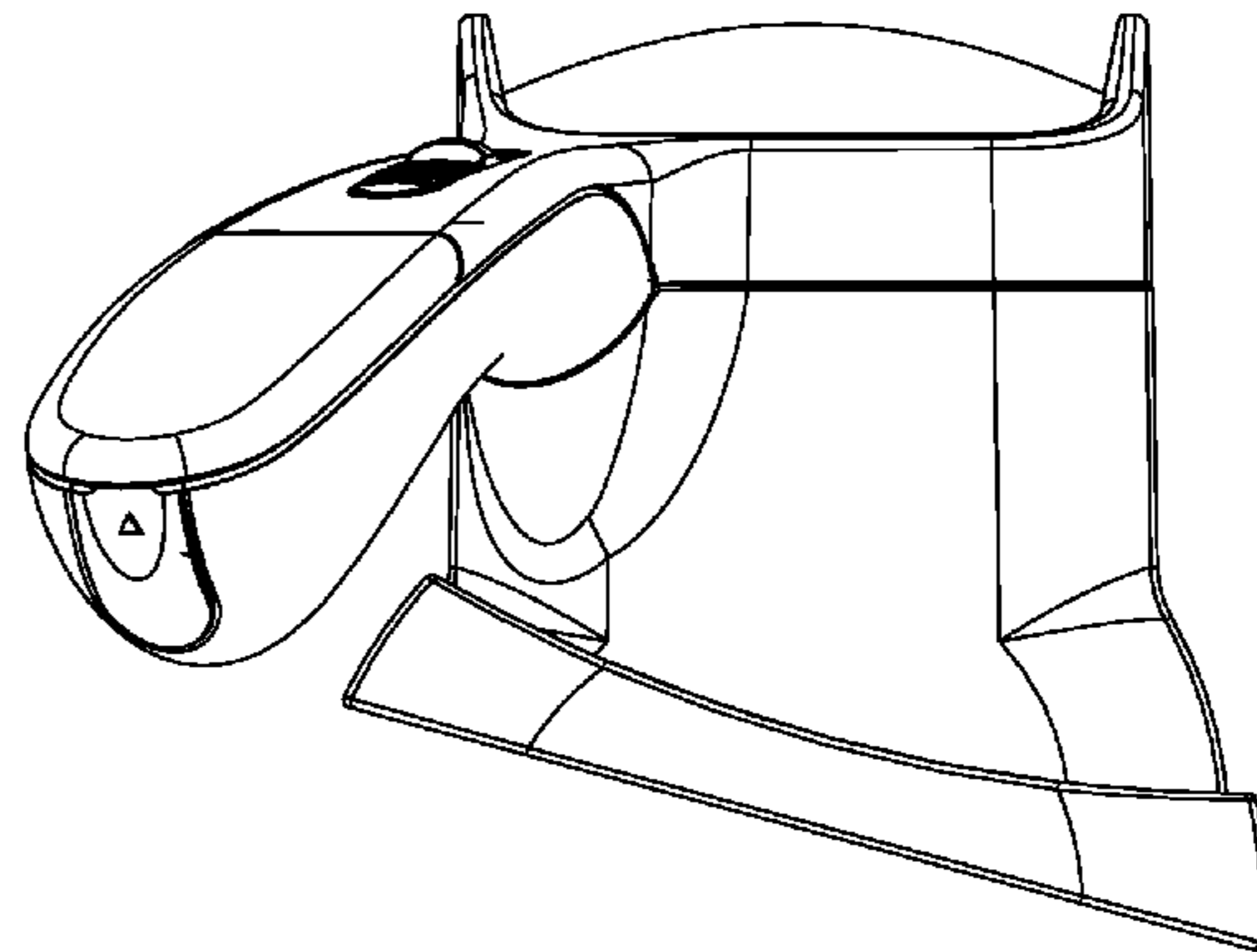
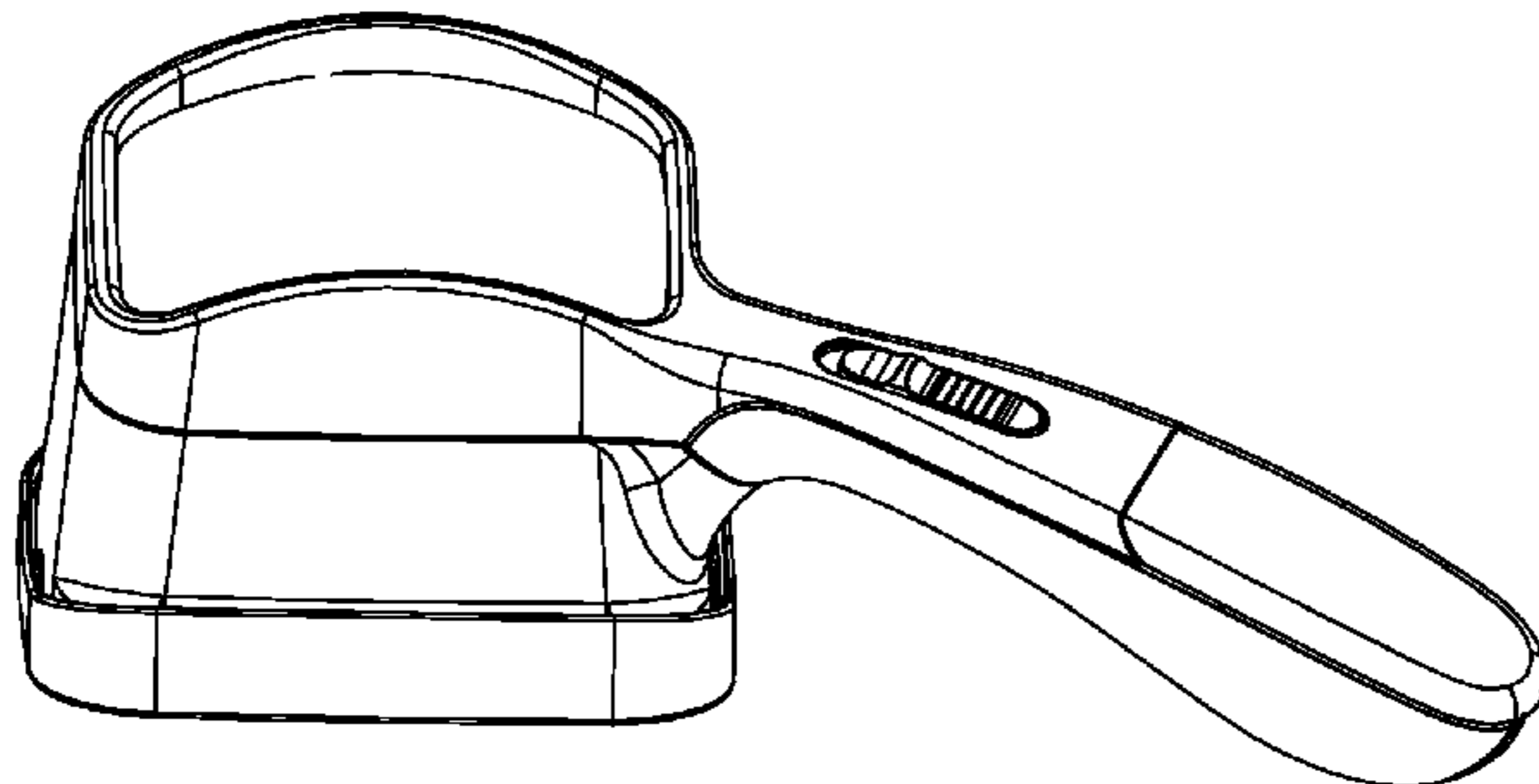
FIG. 3 is a front end view thereof;

FIG. 4 is a bottom plan view thereof;

FIG. 5 is a rear end view thereof; and,

FIG. 6 is a top plan view thereof.

1 Claim, 3 Drawing Sheets



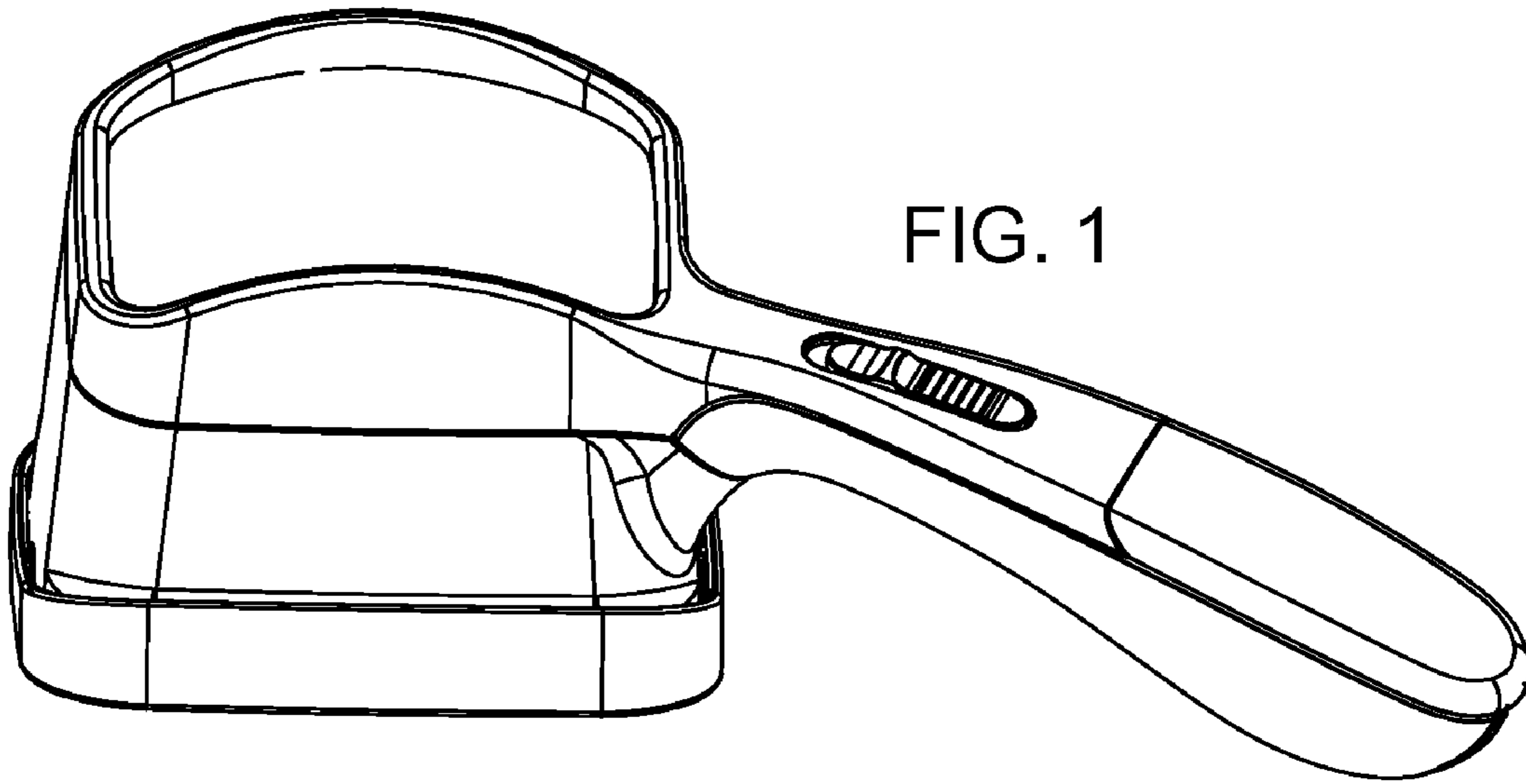


FIG. 1

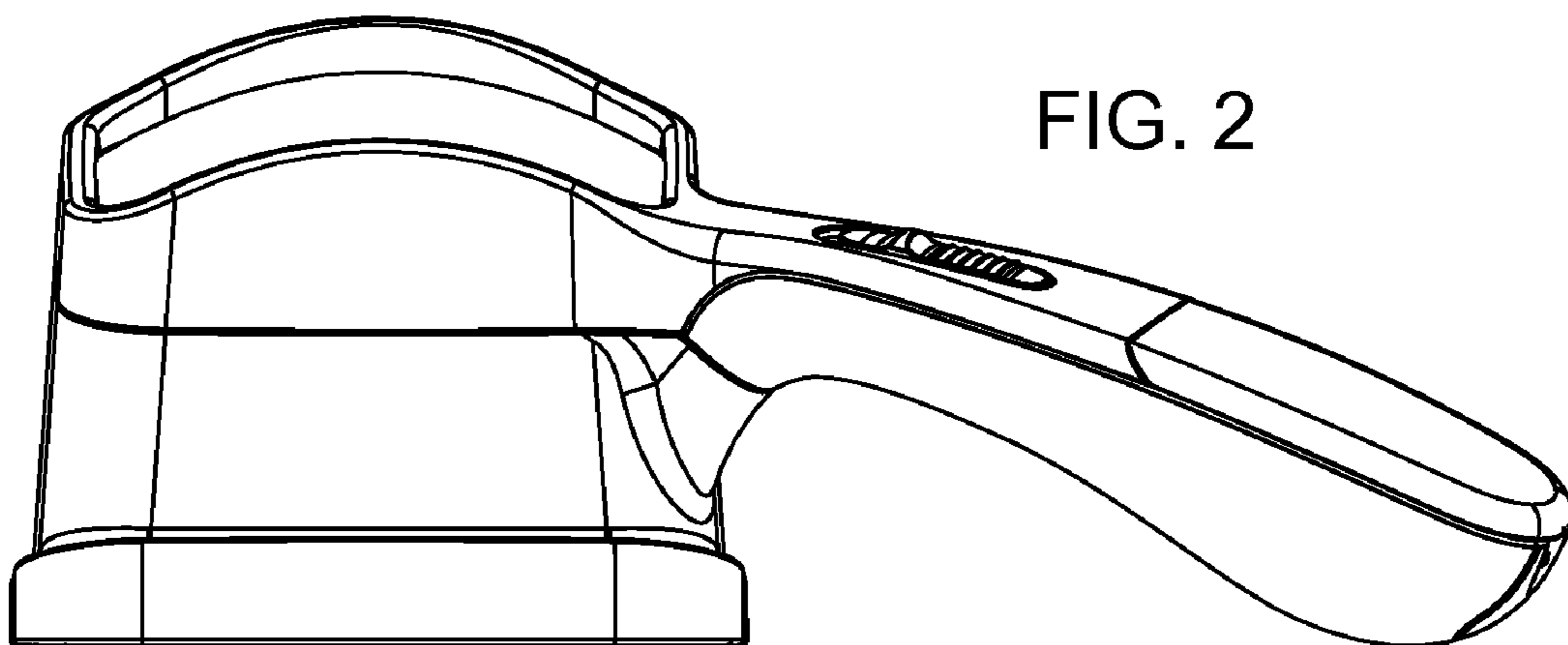


FIG. 2

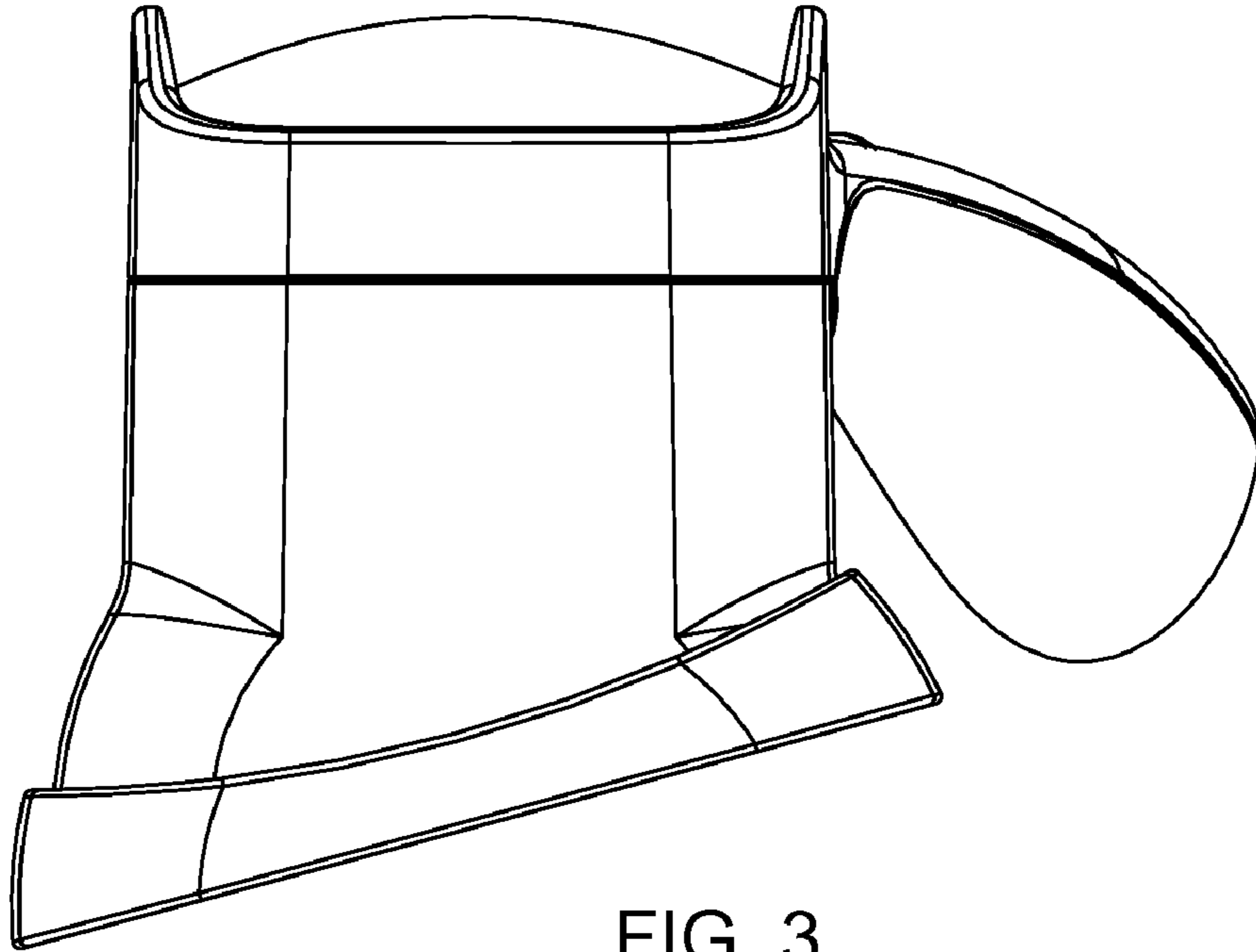


FIG. 3

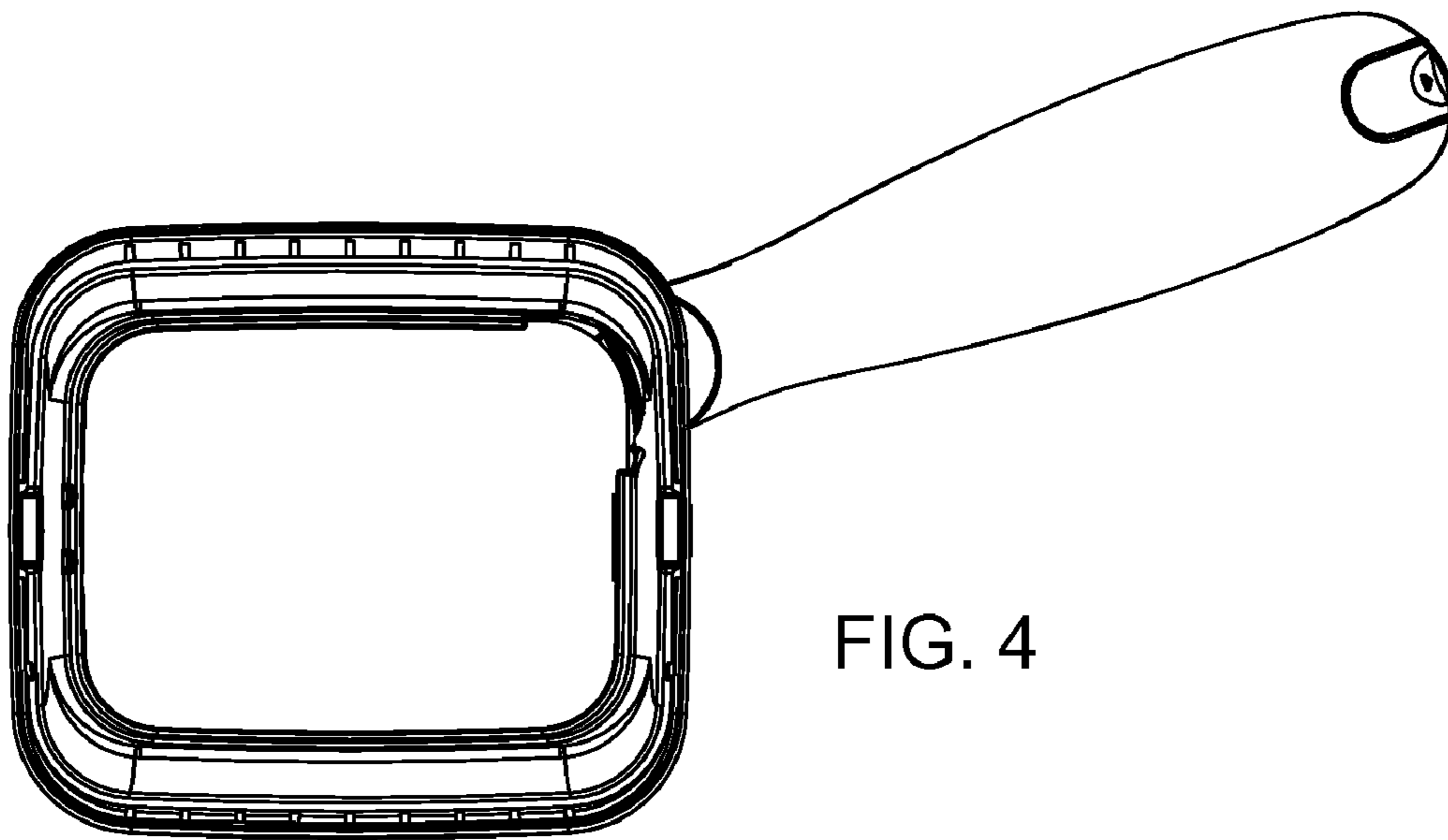


FIG. 4

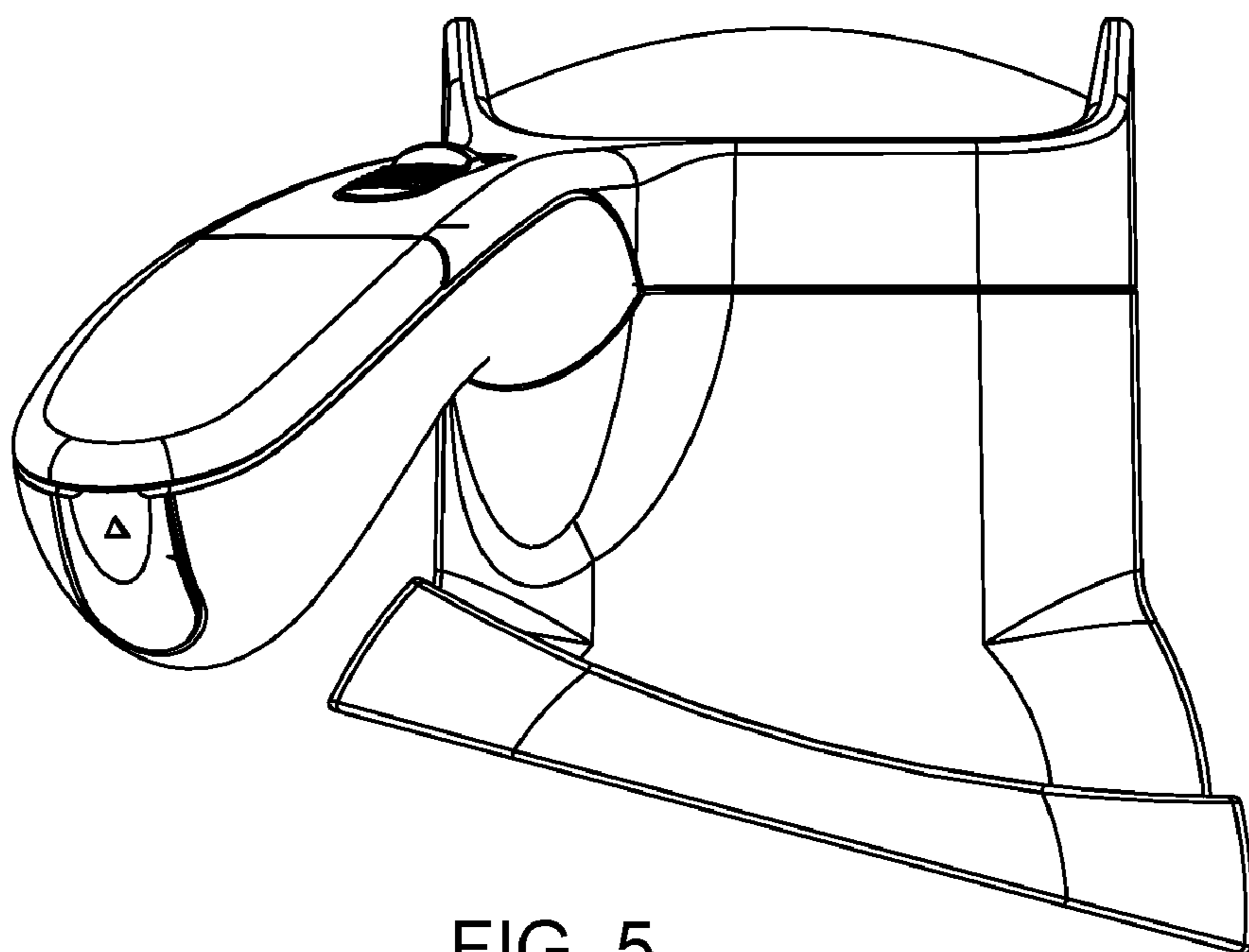


FIG. 5

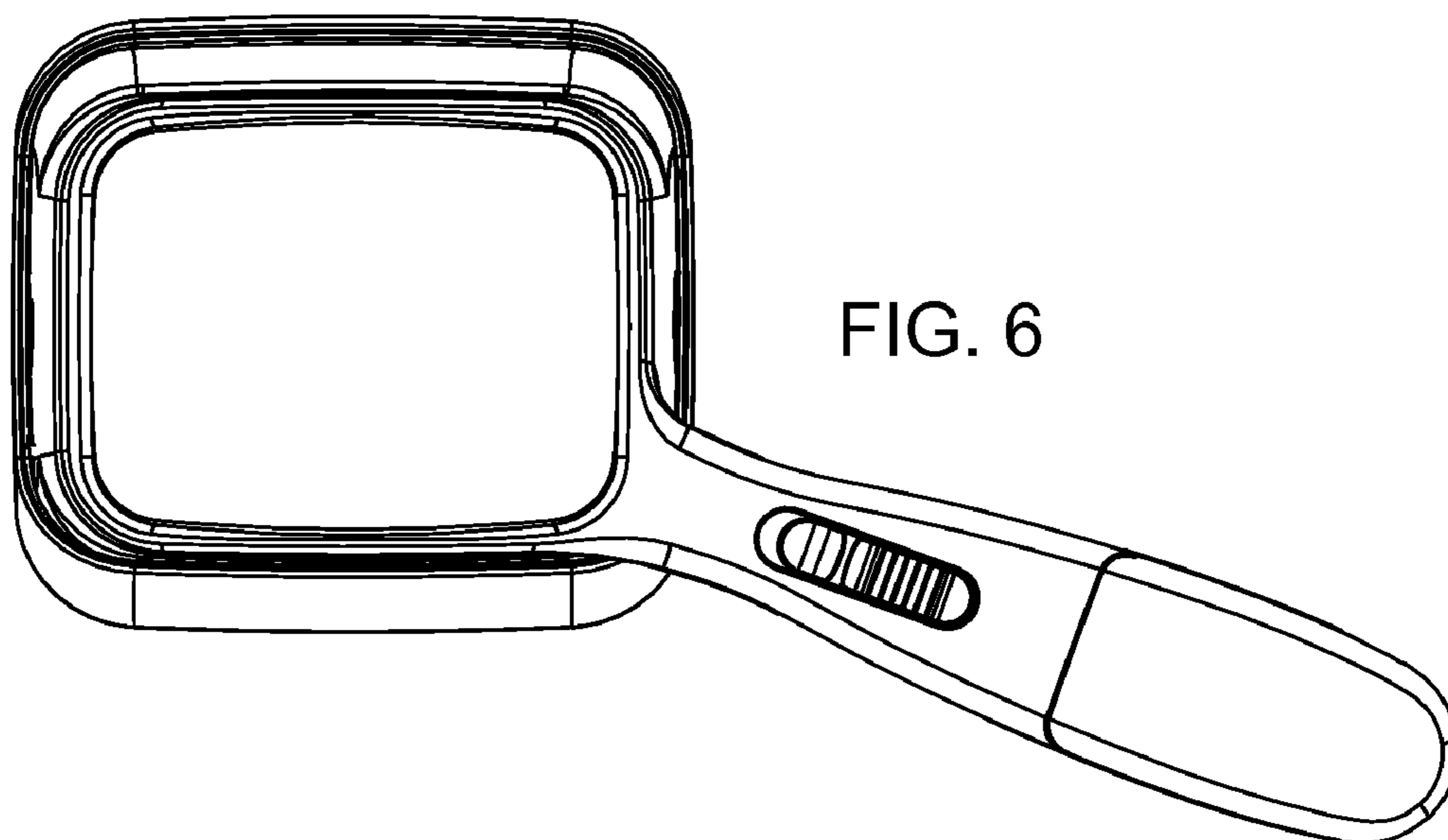


FIG. 6