



US00D579962S

(12) **United States Design Patent**  
**Tillack**

(10) **Patent No.:** **US D579,962 S**

(45) **Date of Patent:** **\*\* Nov. 4, 2008**

(54) **MAGNIFYING GLASS**

(75) Inventor: **Joachim Tillack**, Kronberg (DE)

(73) Assignee: **A. Schweizer GmbH Optische Fabrik**,  
Forchheim (DE)

(\*\*) Term: **14 Years**

(21) Appl. No.: **29/282,045**

(22) Filed: **Jul. 10, 2007**

(30) **Foreign Application Priority Data**

Jan. 10, 2007 (EM) ..... 000649272

(51) **LOC (8) Cl.** ..... **16-06**

(52) **U.S. Cl.** ..... **D16/135**

(58) **Field of Classification Search** ..... D16/130,  
D16/135; D24/137; 359/802-803, 805-811,  
359/812, 816-819, 821; 362/109; D26/38,  
D26/44, 51

See application file for complete search history.

(56) **References Cited**

**U.S. PATENT DOCUMENTS**

D166,597 S \* 4/1952 Filsinger ..... D16/135

D217,506 S \* 5/1970 Knoetgen ..... D16/135

D269,275 S \* 6/1983 Tweedie ..... D16/135

D303,119 S \* 8/1989 Steel et al. .... D16/135

D324,060 S \* 2/1992 Huang ..... D16/135

D395,907 S \* 7/1998 Calello ..... D16/135

D491,590 S \* 6/2004 Singer et al. .... D16/135

D497,626 S \* 10/2004 Yip et al. .... D16/135

D509,840 S \* 9/2005 Lewis ..... D16/135

\* cited by examiner

*Primary Examiner*—Paula A Greene

(74) *Attorney, Agent, or Firm*—Laurence A. Greenberg;  
Werner H. Stemer; Ralph E. Locher

(57) **CLAIM**

The ornamental design for the magnifying glass, as shown  
and described.

**DESCRIPTION**

FIG. 1 is a top, side perspective view of the magnifying glass  
according to my new design;

FIG. 2 is a top plan view thereof;

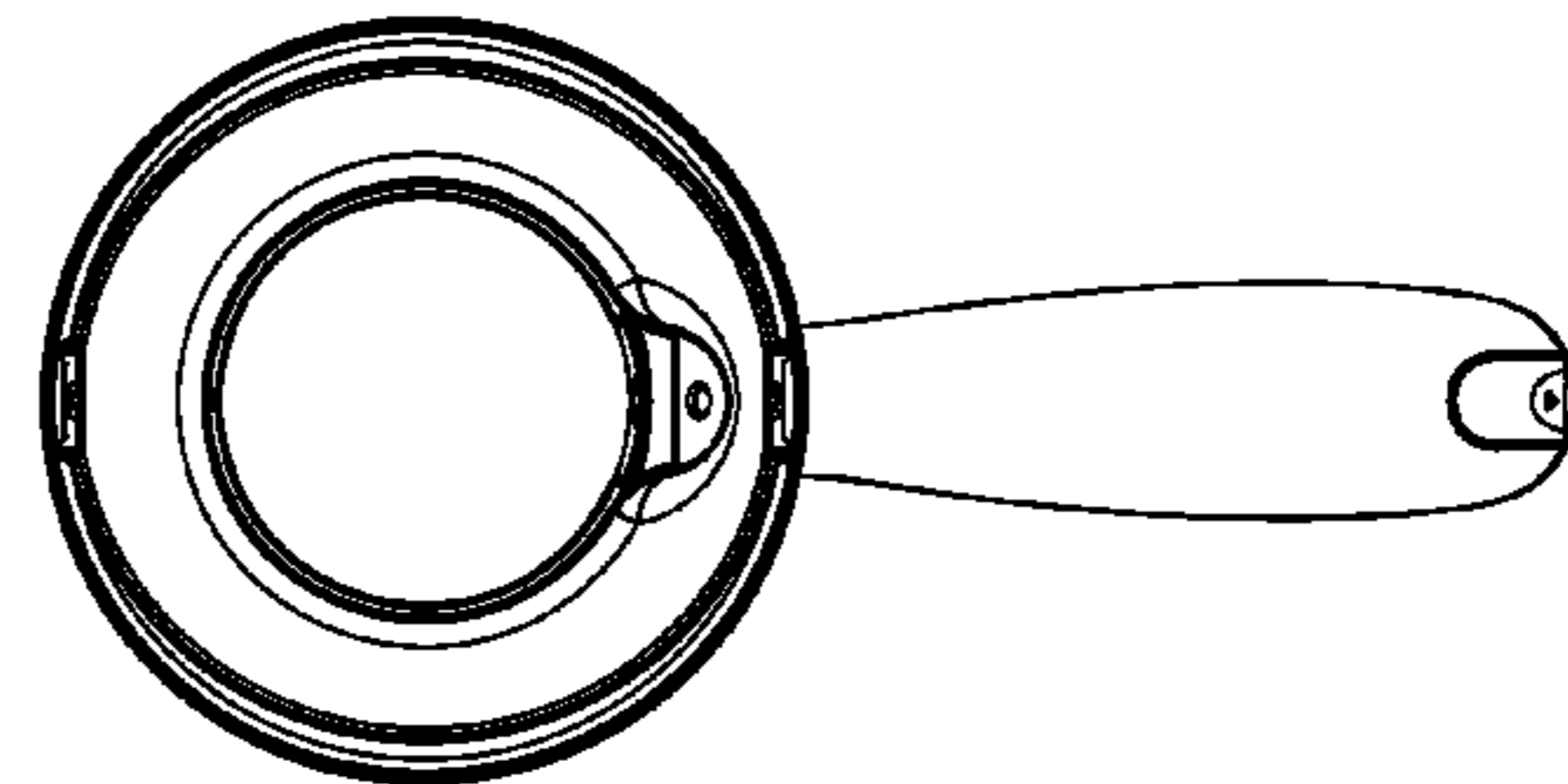
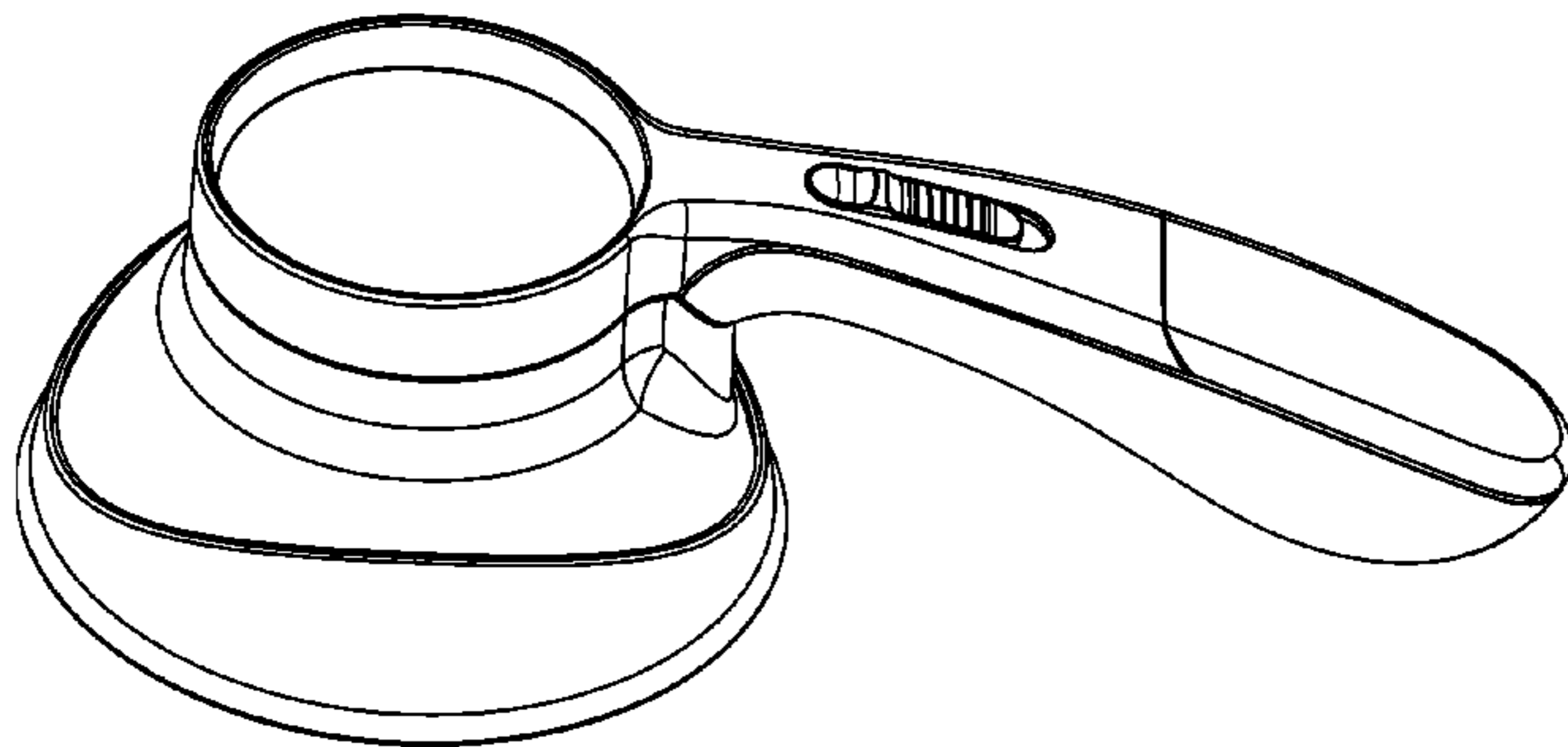
FIG. 3 is a front end view thereof;

FIG. 4 is a bottom plan view thereof;

FIG. 5 is a rear end view thereof; and,

FIG. 6 is a bottom perspective view.

**1 Claim, 3 Drawing Sheets**



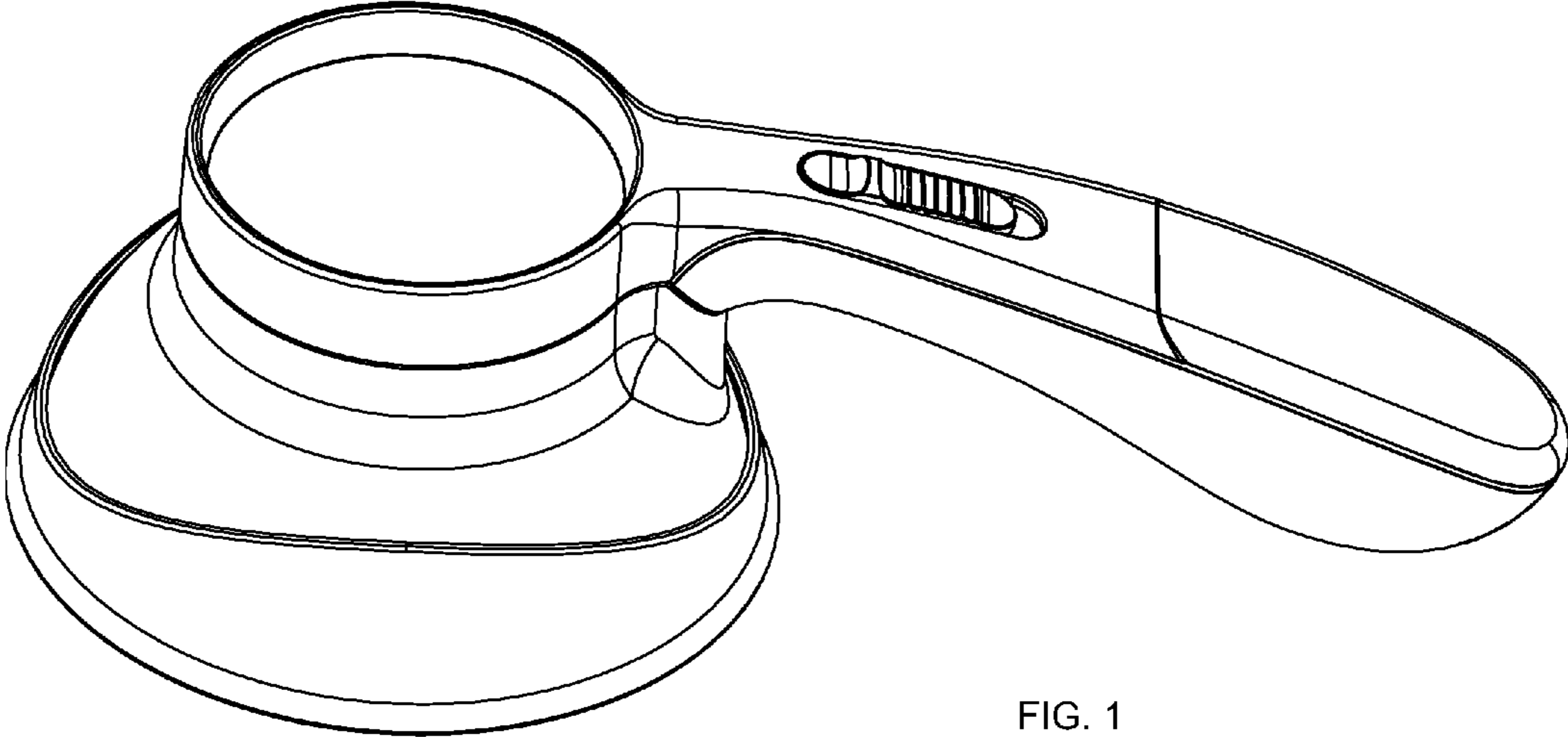


FIG. 1

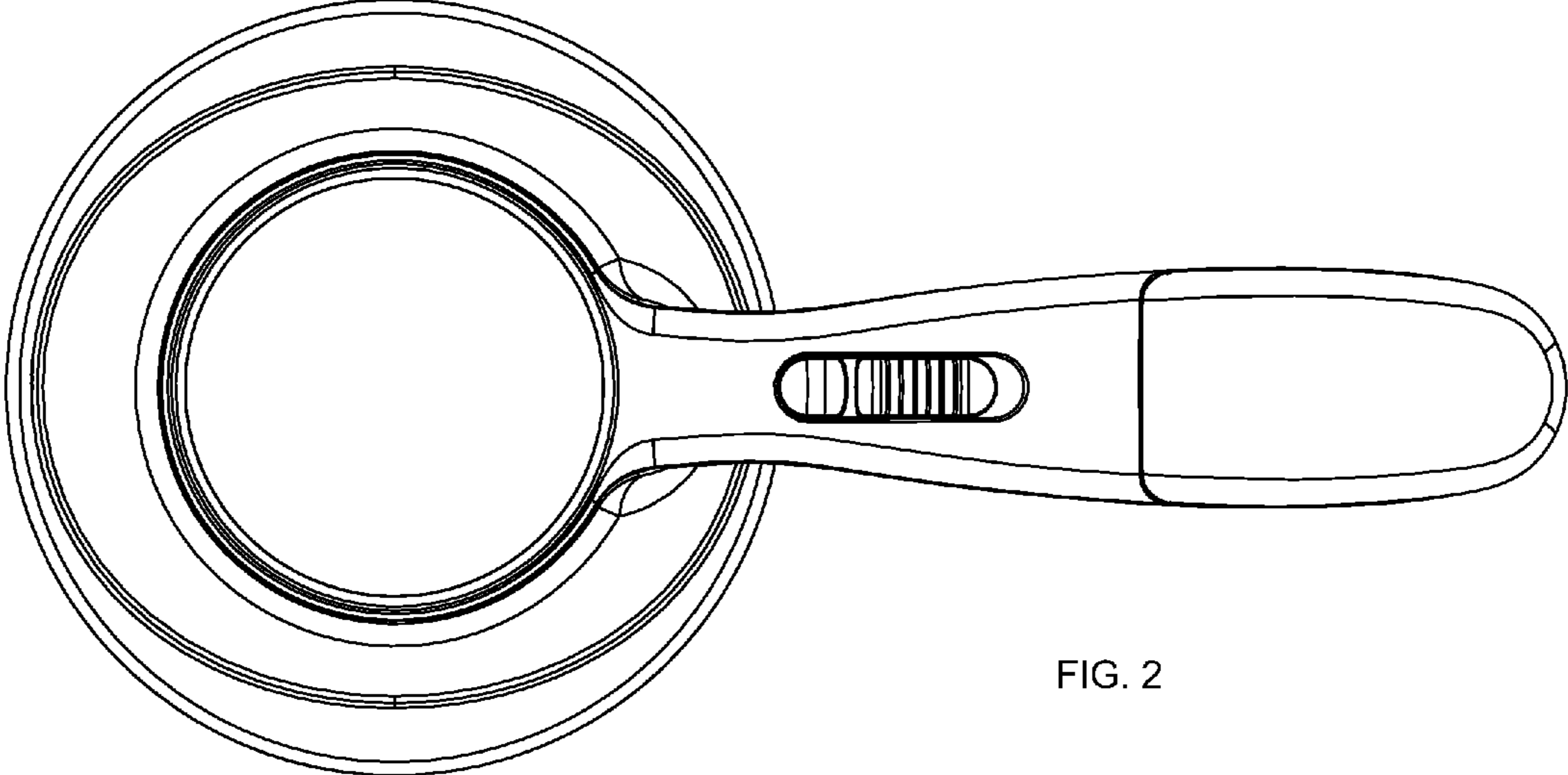


FIG. 2

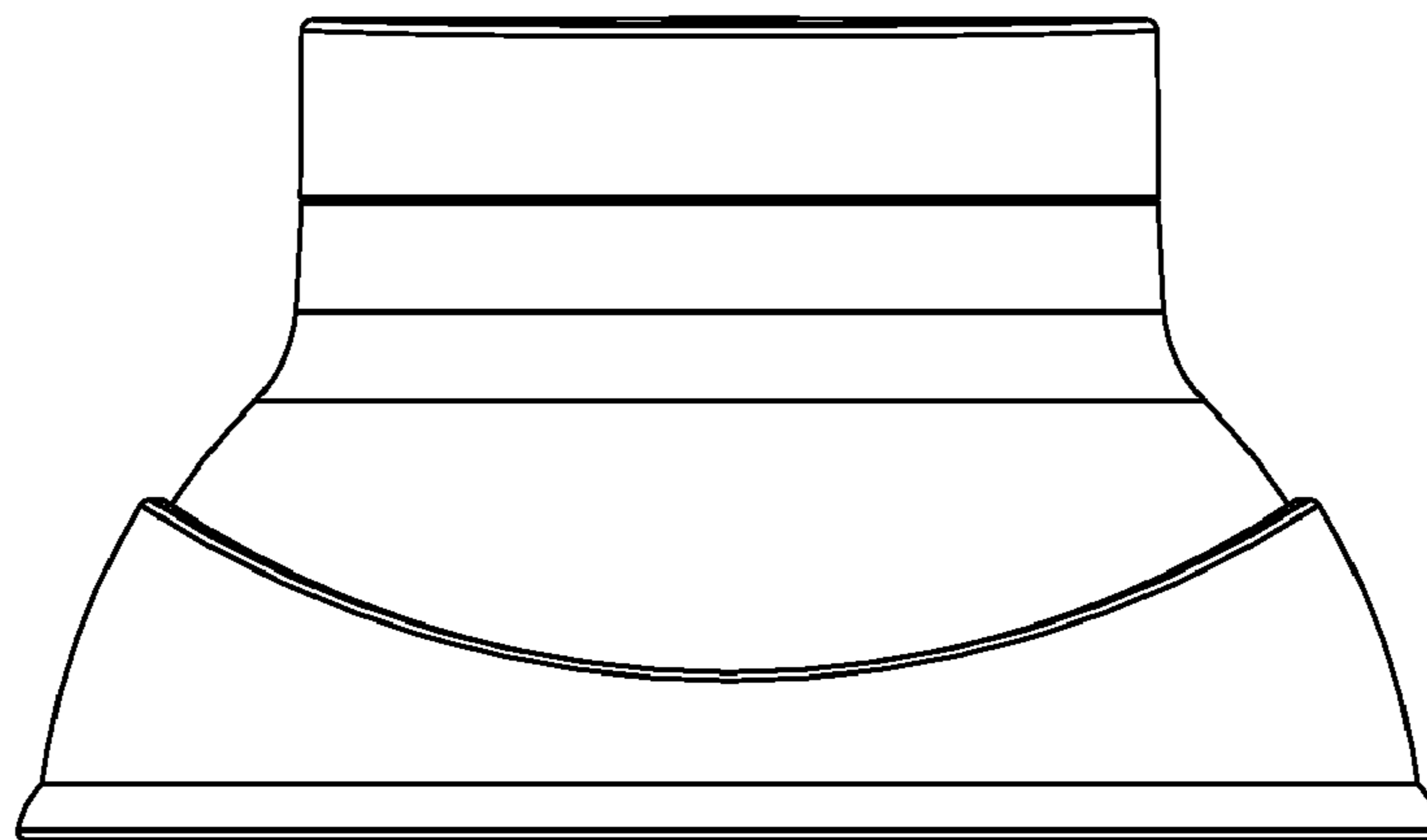


FIG. 3

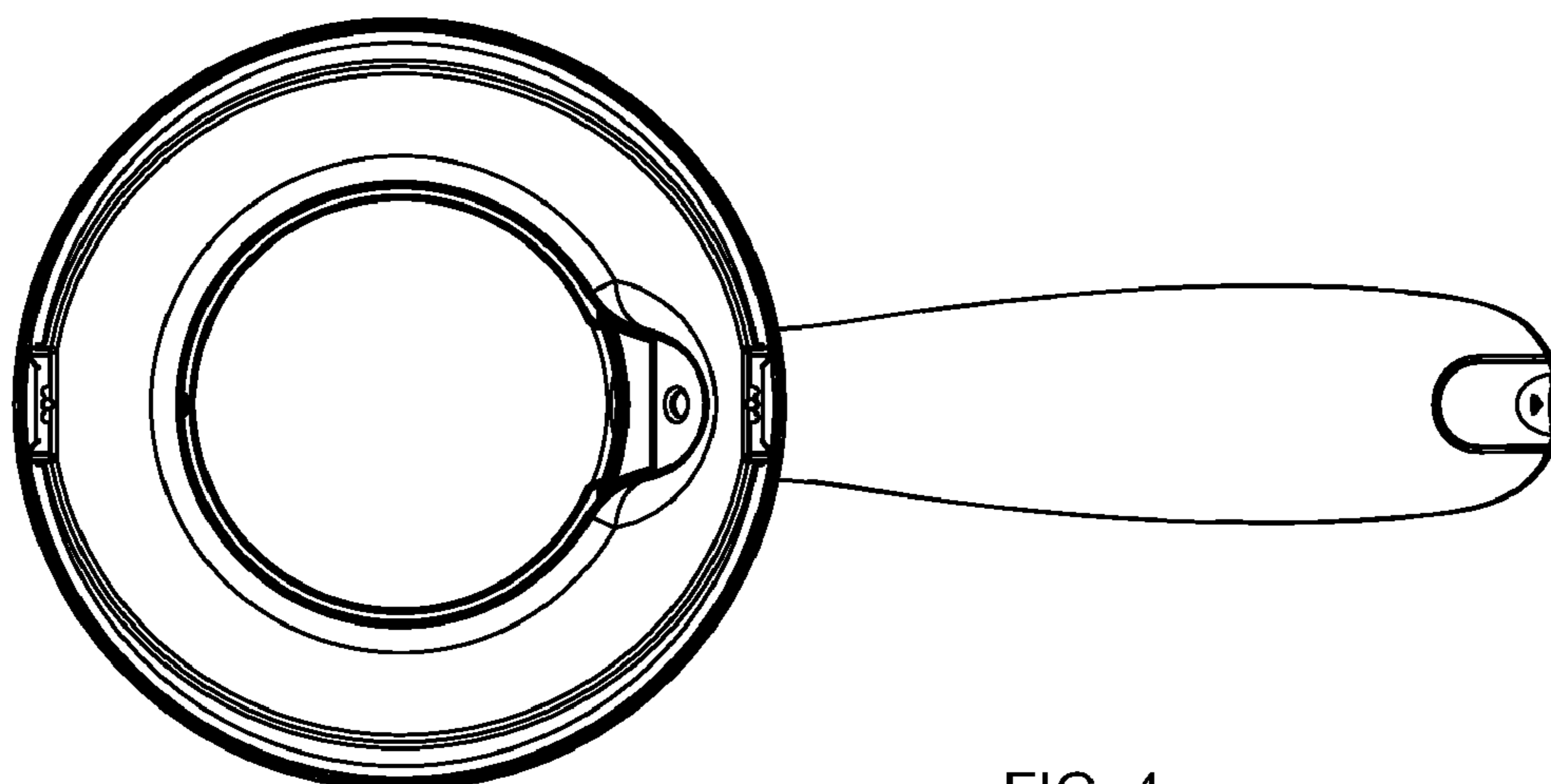


FIG. 4

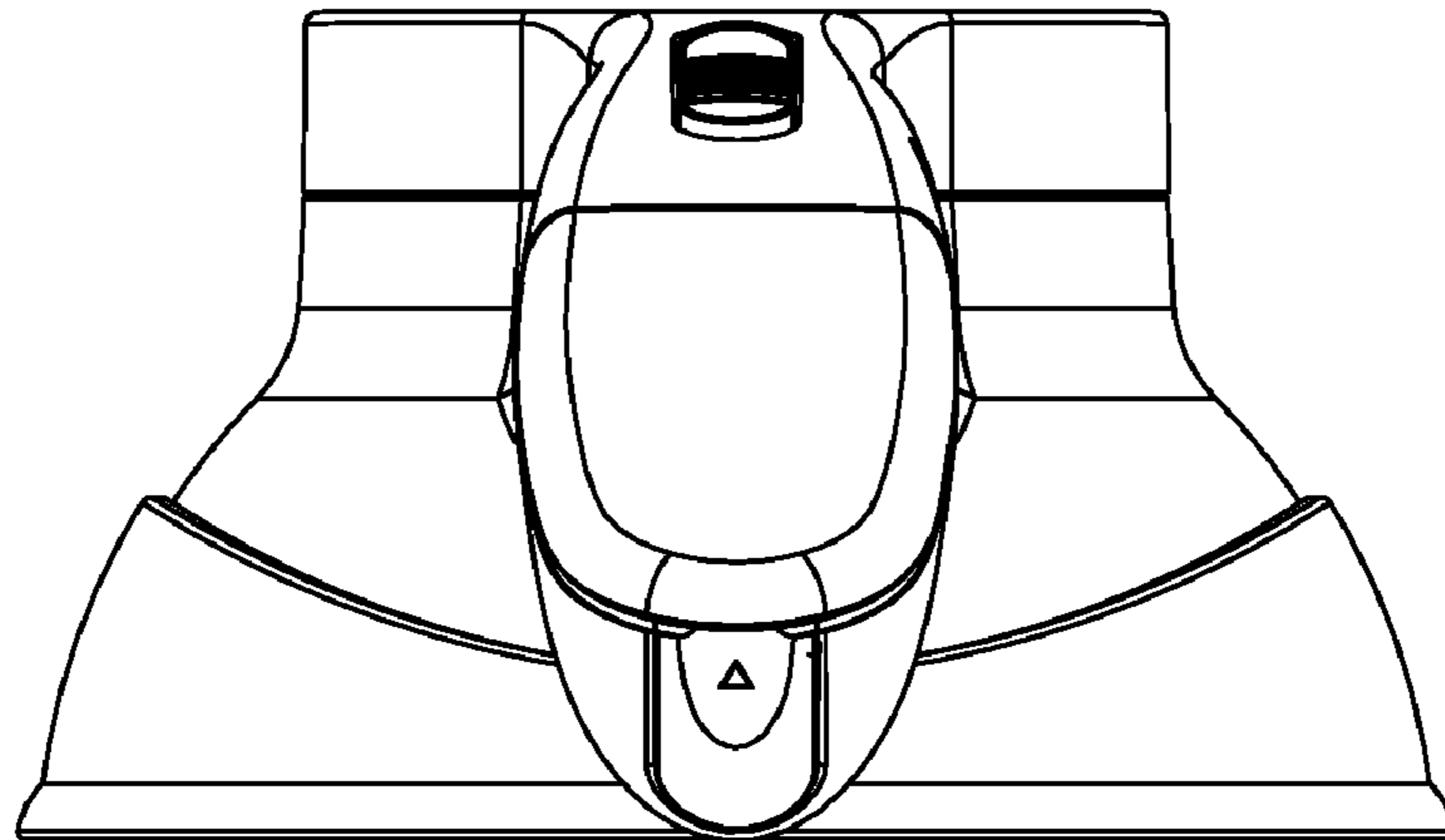


FIG. 5

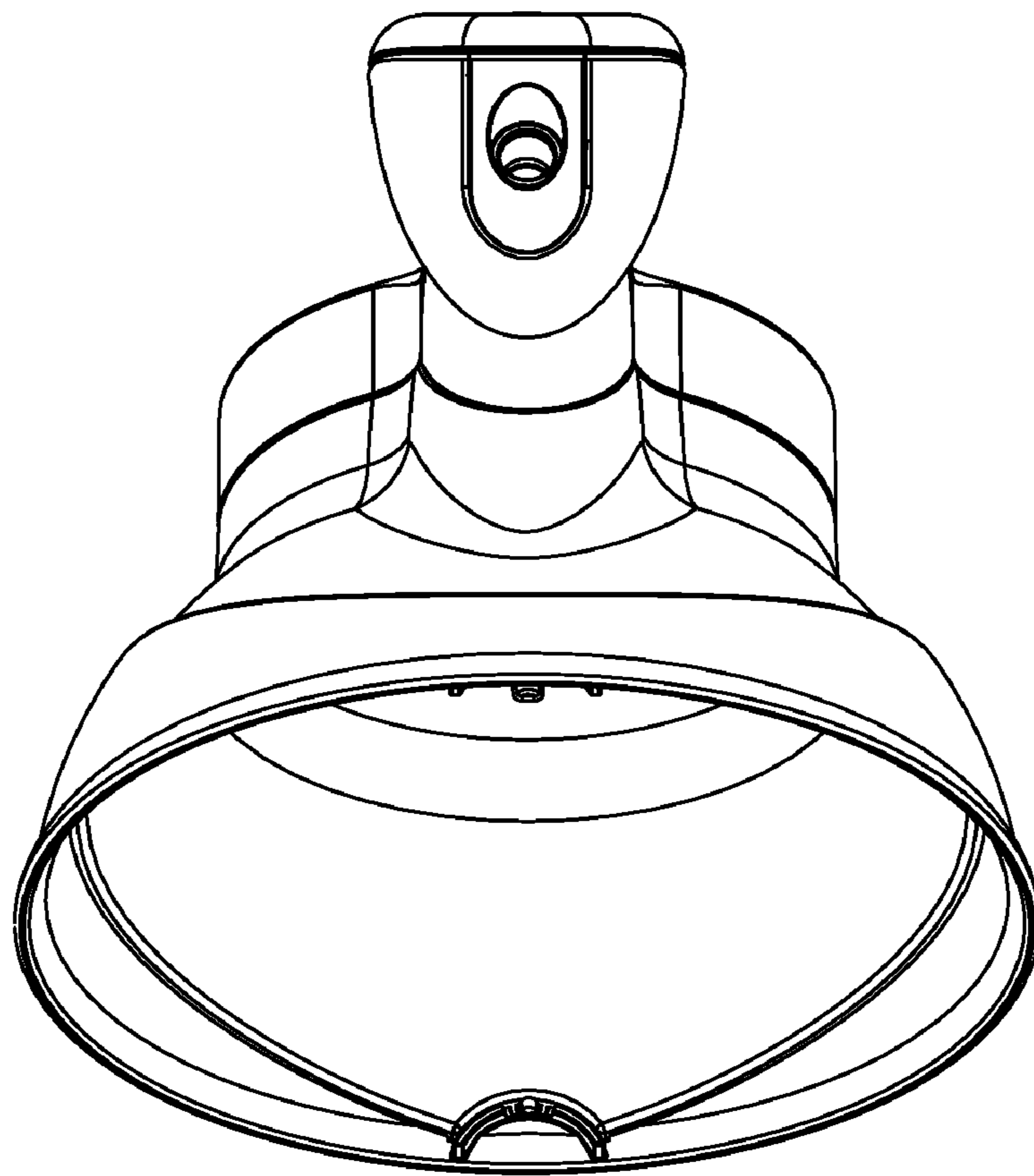


FIG. 6