



US00D579960S

(12) **United States Design Patent**
Kung

(10) **Patent No.:** **US D579,960 S**

(45) **Date of Patent:** **** Nov. 4, 2008**

(54) **TELESCOPE**

(75) Inventor: **Su-Min Kung**, Hsi Chih (TW)

(73) Assignee: **Hunter Optical Co., Ltd.**, Taipei Hsien (TW)

(**) Term: **14 Years**

(21) Appl. No.: **29/290,701**

(22) Filed: **Jan. 4, 2008**

(51) **LOC (8) Cl.** **16-06**

(52) **U.S. Cl.** **D16/132**

(58) **Field of Classification Search** D16/132,
D16/130, 133; D22/109; 362/109; 250/214 VT;
33/272; 42/120, 122; 356/247; 359/350,
359/351, 355, 399, 422, 424, 431, 432, 426,
359/427, 513, 428, 617

See application file for complete search history.

(56) **References Cited**

U.S. PATENT DOCUMENTS

- 153,494 A * 7/1874 Nystrom et al. 359/424
- 2,745,182 A * 5/1956 Kohler 42/122
- 2,913,826 A * 11/1959 Petty 42/122
- 2,955,512 A * 10/1960 Kollmorgen et al. 356/247
- 2,997,916 A * 8/1961 Friedman et al. 359/424
- 3,058,391 A * 10/1962 Leupold 359/422

- 3,161,716 A * 12/1964 Burris et al. 356/247
- 4,744,013 A * 5/1988 Lee et al. 362/109
- D312,089 S * 11/1990 Jorlov D16/132
- D458,286 S * 6/2002 Kung D16/132
- D497,625 S * 10/2004 Kung D16/132
- D534,193 S * 12/2006 Ono D16/132
- D564,001 S * 3/2008 Pernstich et al. D16/132

* cited by examiner

Primary Examiner—Paula A Greene

(74) *Attorney, Agent, or Firm*—Troxell Law Office, PLLC

(57) **CLAIM**

The ornamental design for telescope, as shown and described.

DESCRIPTION

FIG. 1 is a top front and left side perspective view of telescope showing my new design;

FIG. 2 is a front elevational view thereof;

FIG. 3 is a rear elevational view thereof;

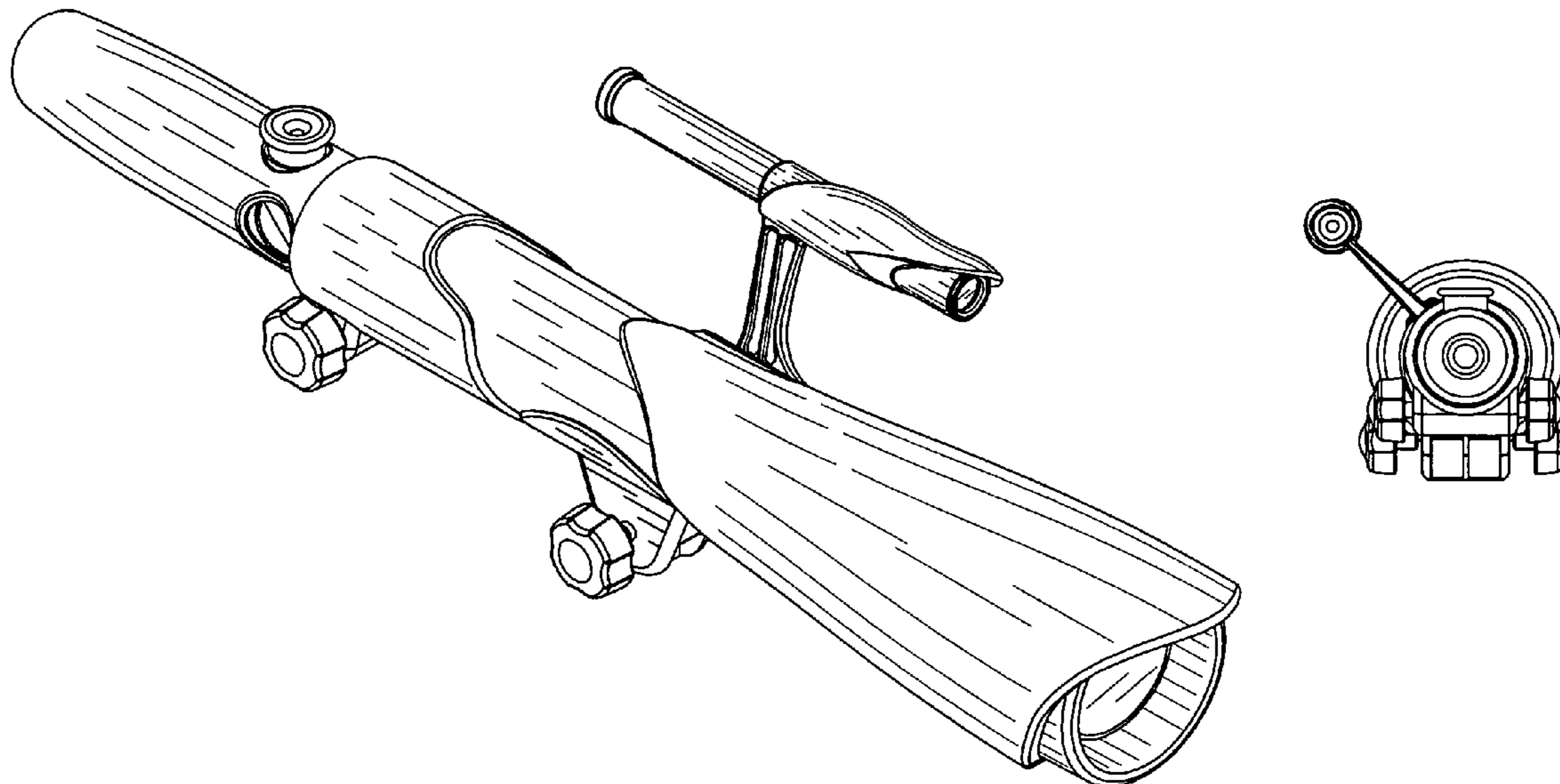
FIG. 4 is a left side elevational view thereof, the undisclosed portion is not part of the claimed design;

FIG. 5 is a right side elevational view thereof, the undisclosed portion is not part of the claimed design;

FIG. 6 is a top plan view thereof; and,

FIG. 7 is a bottom plan view thereof.

1 Claim, 3 Drawing Sheets



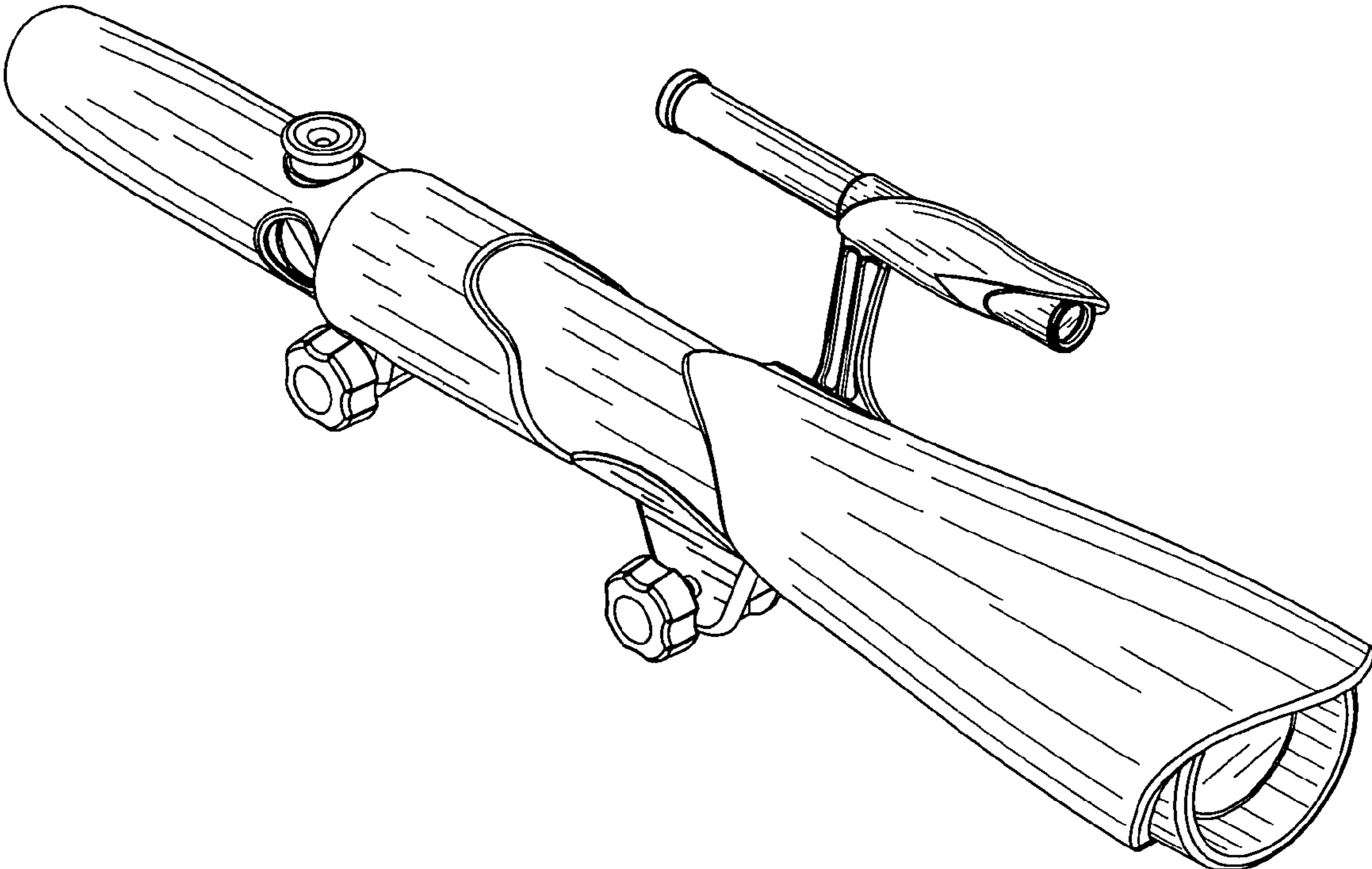


Fig. 1

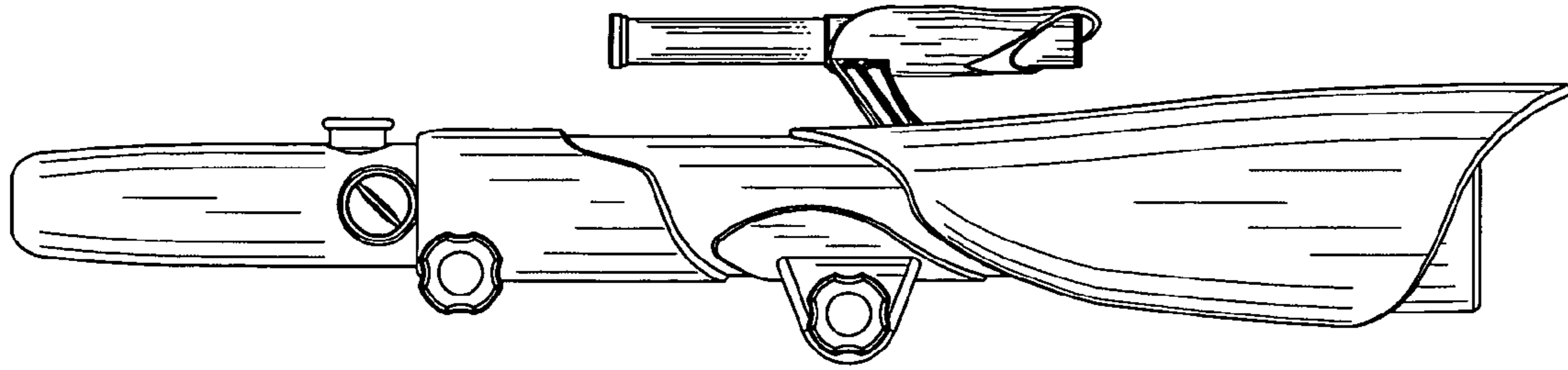


Fig.2

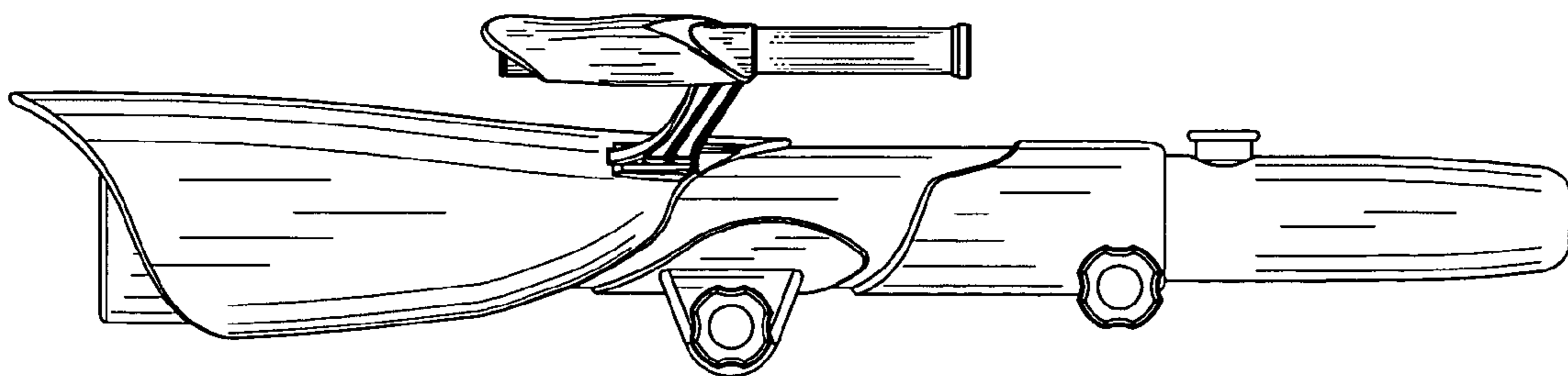


Fig.3

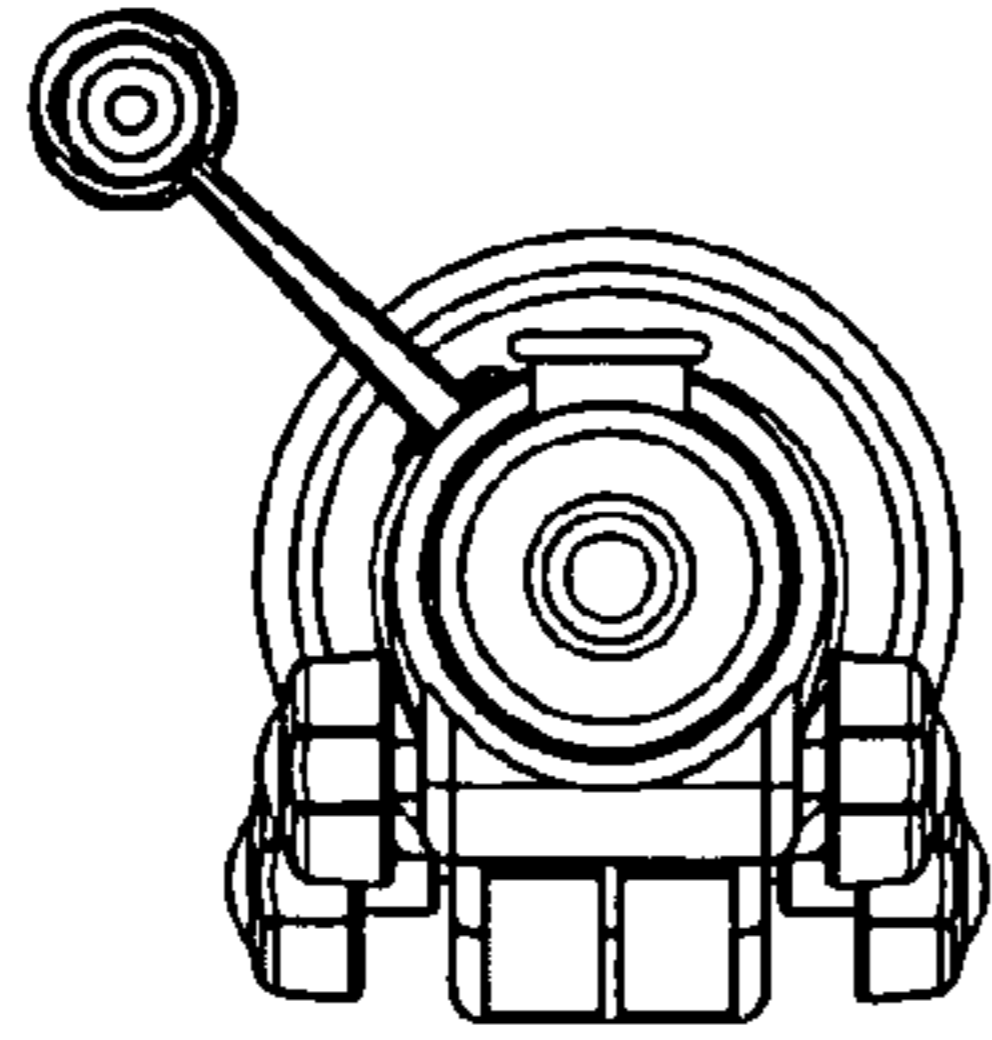


Fig.4

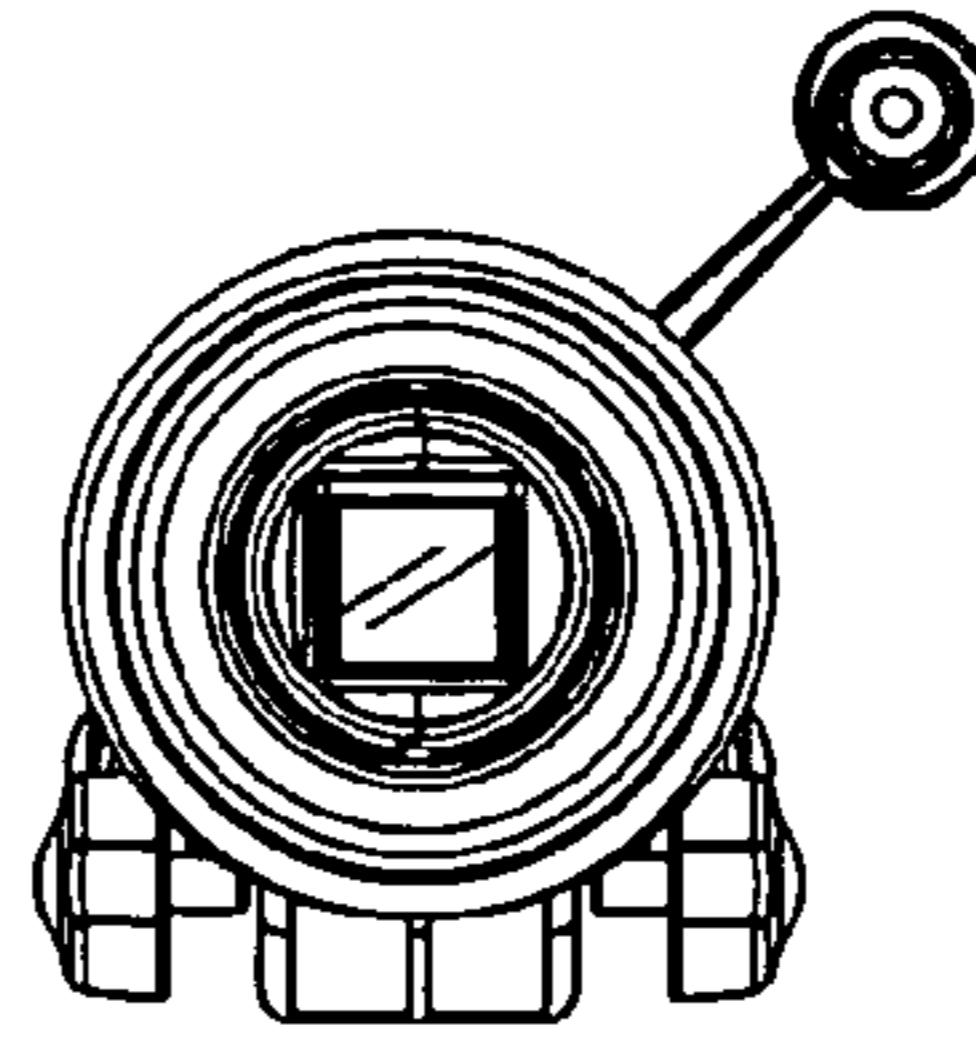


Fig.5

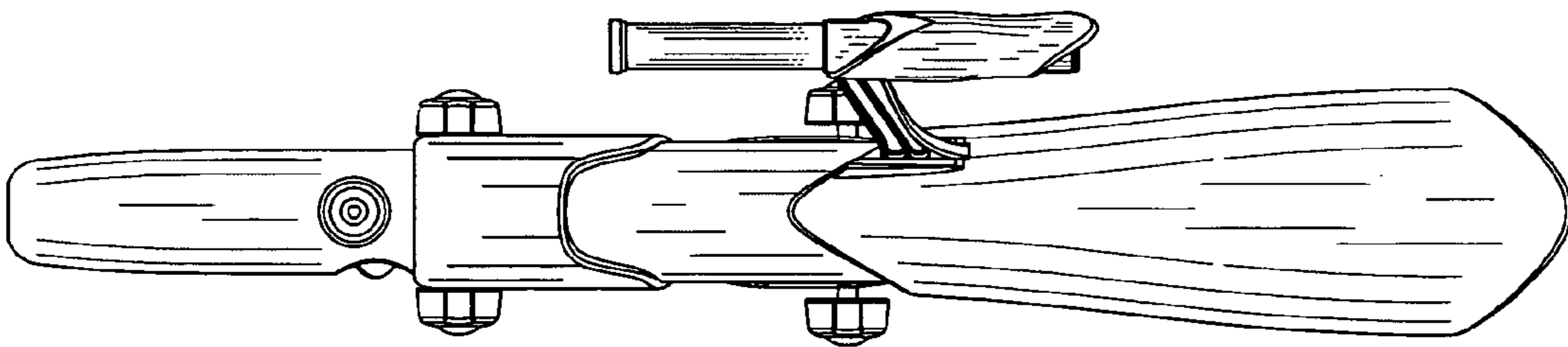


Fig.6

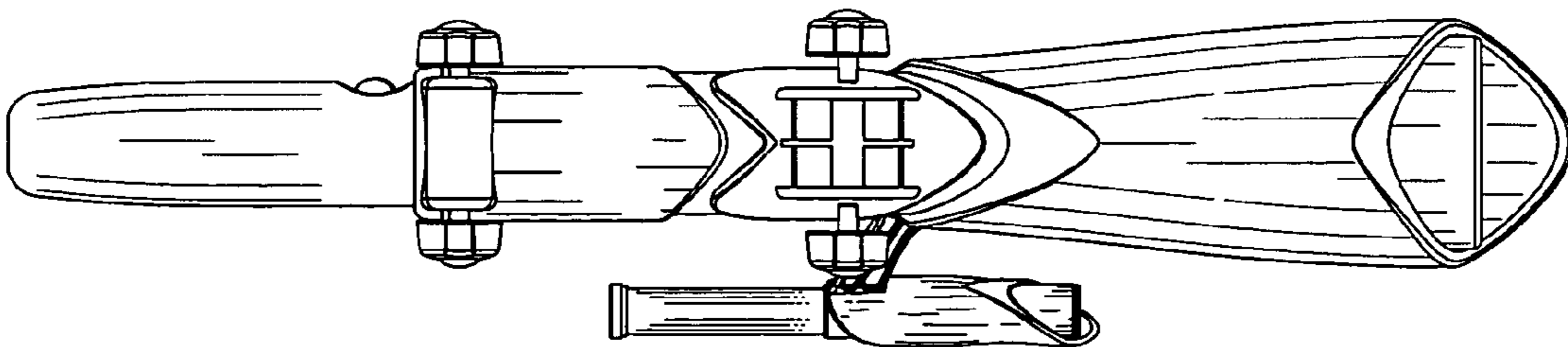


Fig.7