



US00D579959S

(12) **United States Design Patent**
Apothéloz

(10) **Patent No.:** **US D579,959 S**

(45) **Date of Patent:** **** Nov. 4, 2008**

(54) **MICROSCOPE**

(75) **Inventor:** **Christophe Apothéloz, Zurich (CH)**

(73) **Assignee:** **Leica Microsystems (Schweiz) AG, Heerbrugg (CH)**

(**) **Term:** **14 Years**

(21) **Appl. No.:** **29/290,670**

(22) **Filed:** **Jan. 2, 2008**

(30) **Foreign Application Priority Data**

Jul. 3, 2007 (DE) 4 07 03 337

(51) **LOC (8) Cl.** **16-06**

(52) **U.S. Cl.** **D16/131**

(58) **Field of Classification Search** D16/130,
D16/131; 359/362, 363, 375, 376, 377, 378,
359/379, 380, 381, 382, 383, 384, 385, 386,
359/387, 388, 389, 392, 393

See application file for complete search history.

(56) **References Cited**

U.S. PATENT DOCUMENTS

- D229,581 S * 12/1973 Armbruster D16/131
- D234,626 S * 3/1975 Maier D16/131
- D235,684 S * 7/1975 Michel D16/131
- D241,741 S * 10/1976 Armbruster D16/131
- 4,210,384 A * 7/1980 Meyer et al. 359/363
- D257,358 S * 10/1980 Armbruster D16/131
- D278,915 S * 5/1985 Hoelbl et al. D16/131

- 5,000,555 A * 3/1991 Sato 359/392
- 5,585,964 A * 12/1996 Schalz 359/368
- 6,339,498 B1 * 1/2002 Nishida et al. 359/361
- 6,813,071 B2 * 11/2004 Takahama 359/381
- D556,800 S * 12/2007 Yanagisawa D16/131
- 7,321,462 B2 * 1/2008 Yamamoto 359/390

* cited by examiner

Primary Examiner—Paula A Greene

(74) *Attorney, Agent, or Firm*—Crowell & Moring LLP

(57) **CLAIM**

The ornamental design for a microscope, as shown and described.

DESCRIPTION

This application is related to the following co-pending application, of the inventor, filed on even date herewith: Application Serial No. 29/290,671, entitled “Microscope”.

FIG. 1 is a right, rear perspective view of a microscope showing my new design;

FIG. 2 is a right side view thereof;

FIG. 3 is a left side view thereof;

FIG. 4 is a top view thereof;

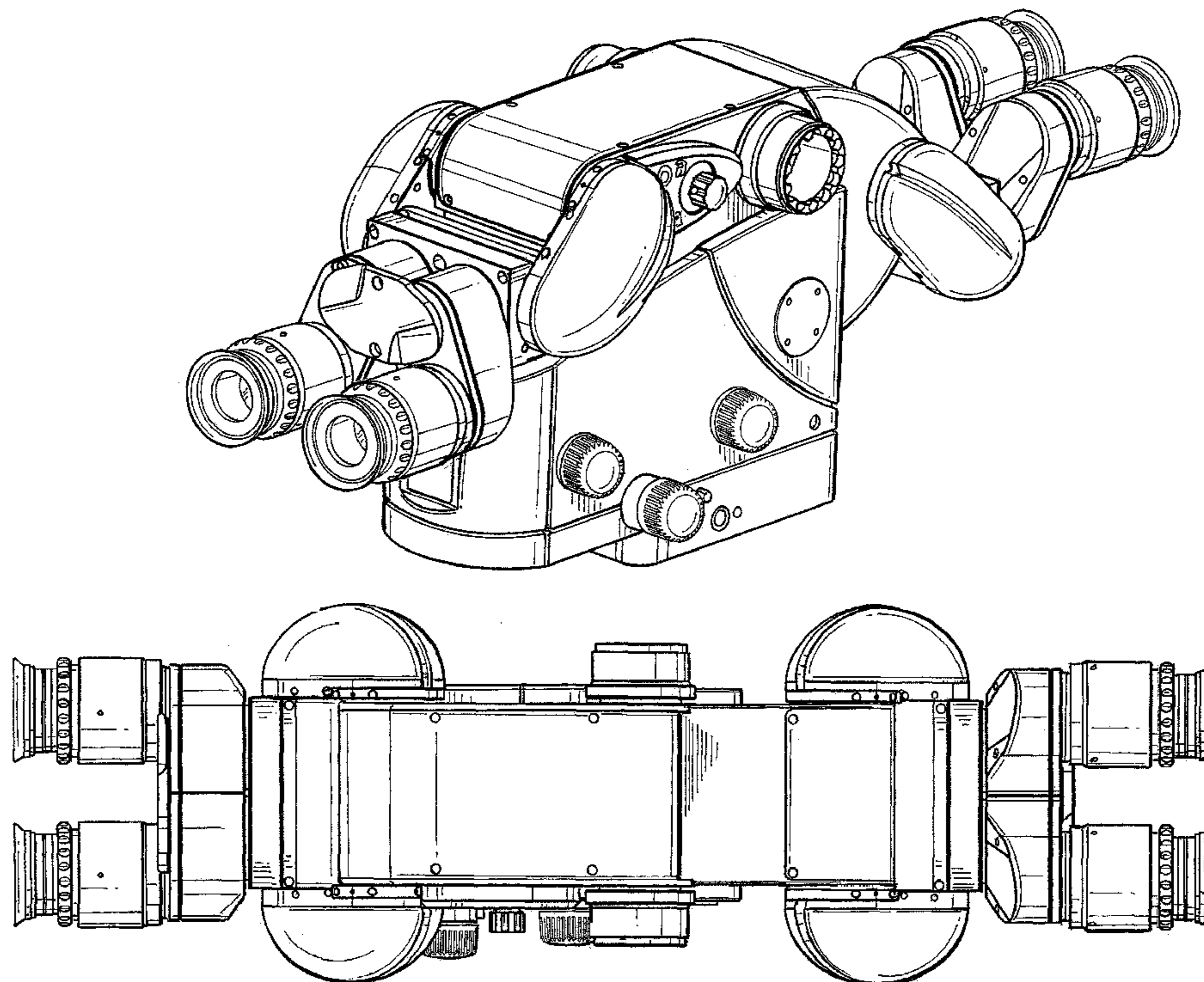
FIG. 5 is a rear view thereof;

FIG. 6 is a front view thereof;

FIG. 7 is a right, side perspective view thereof; and,

FIG. 8 is a bottom view thereof.

1 Claim, 7 Drawing Sheets



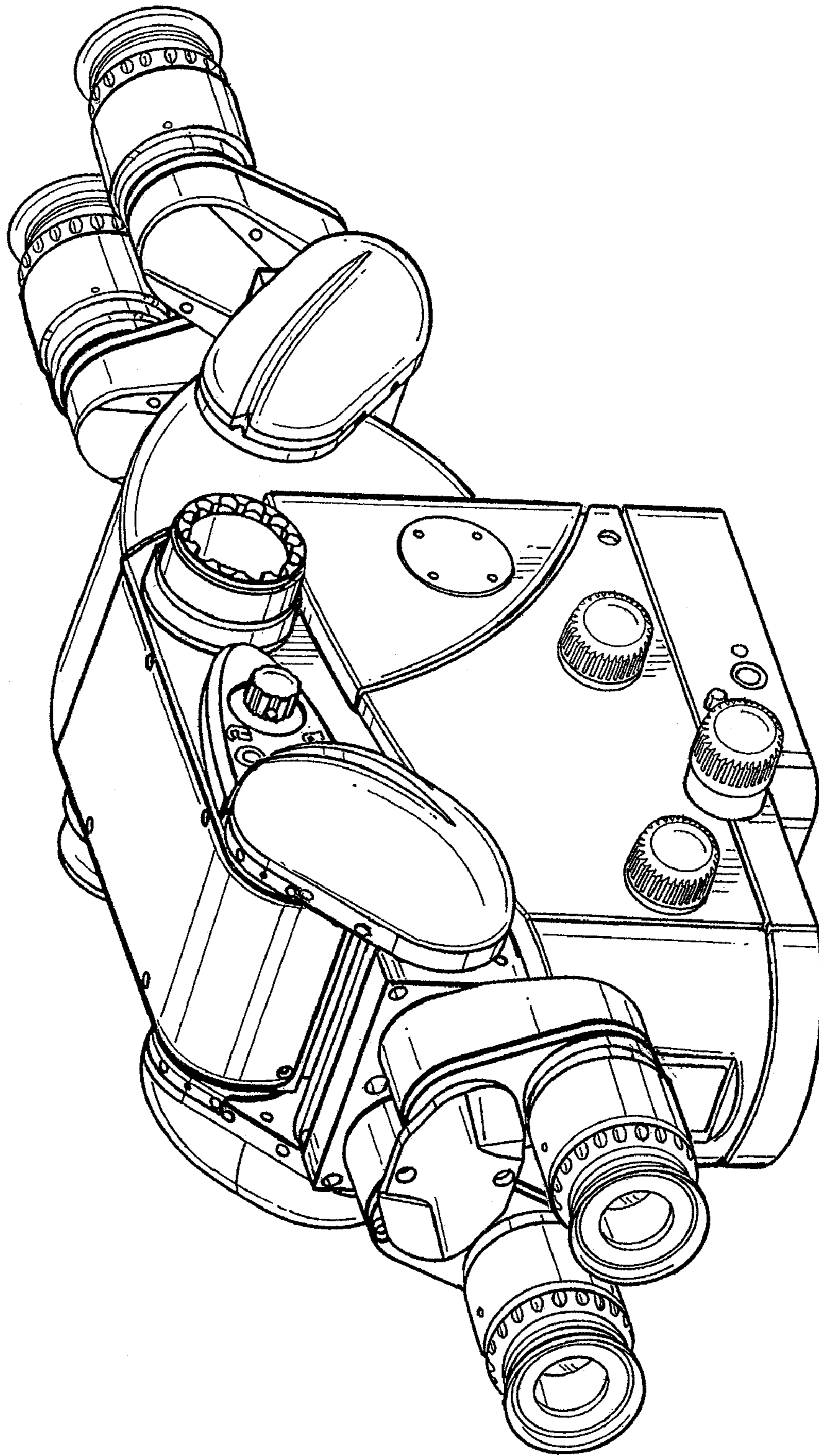


FIG. 1

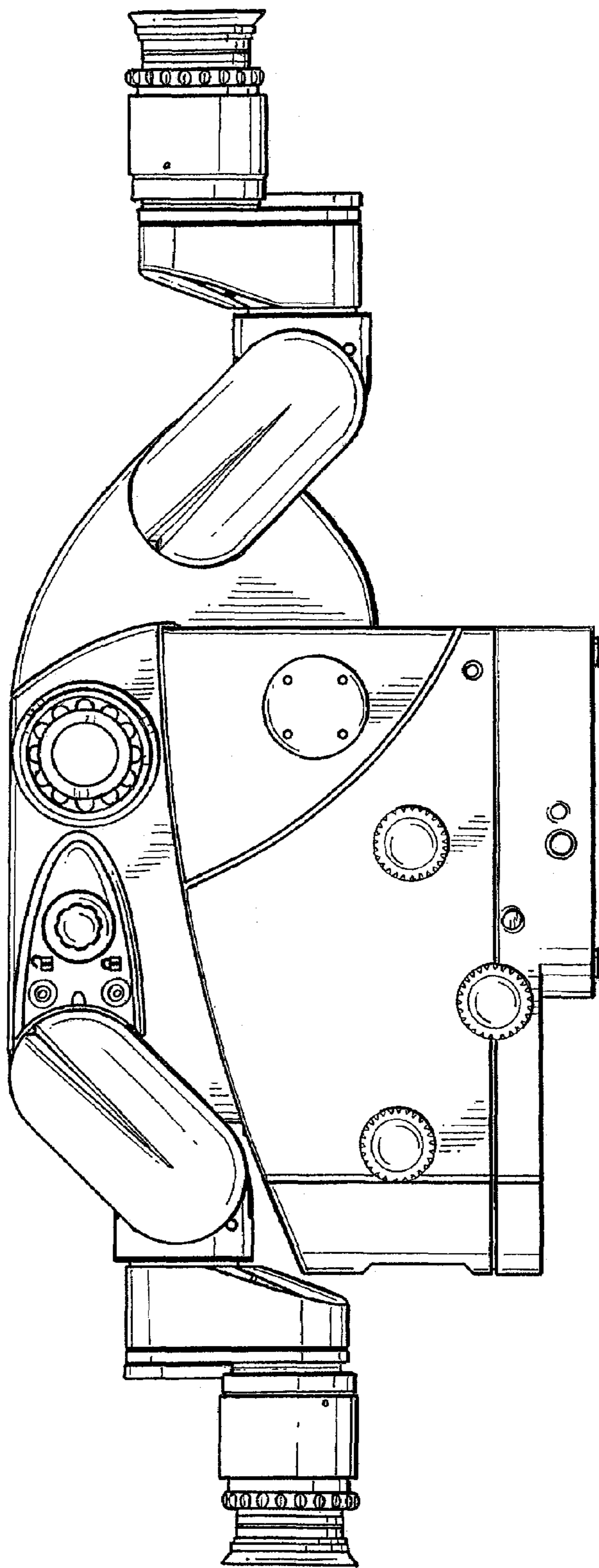


FIG. 2

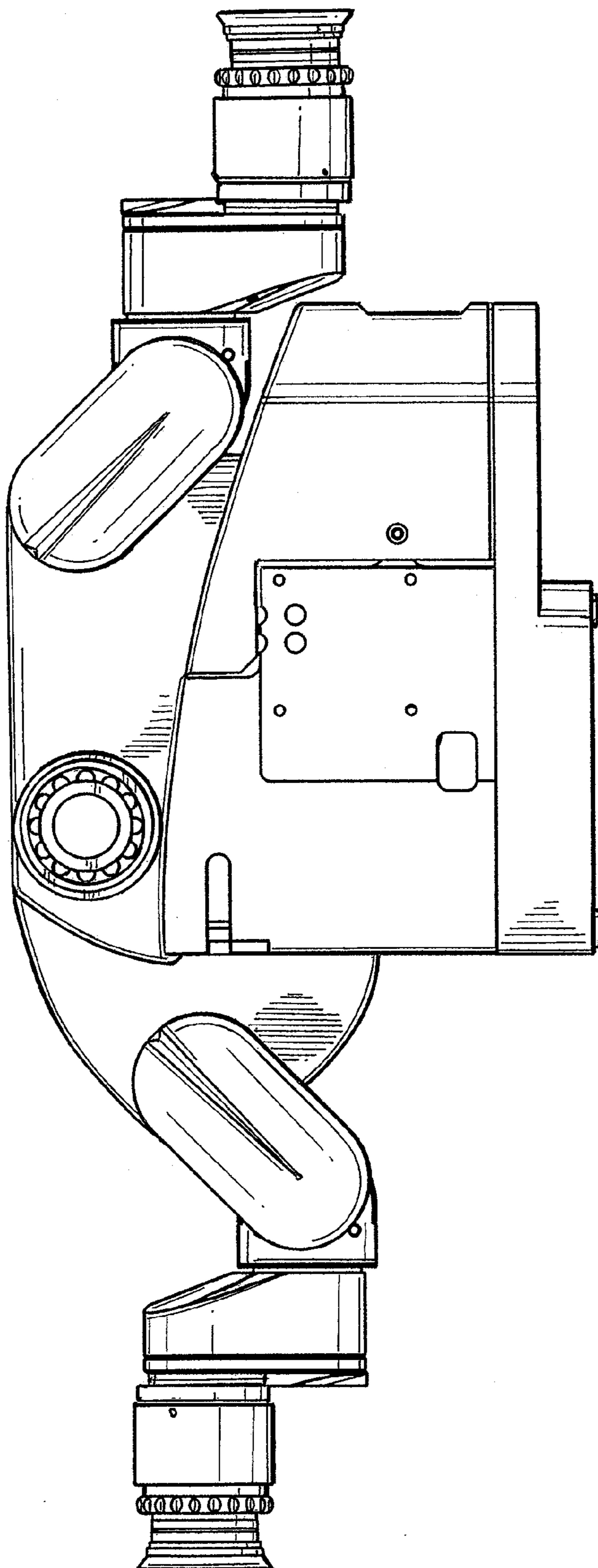


FIG. 3

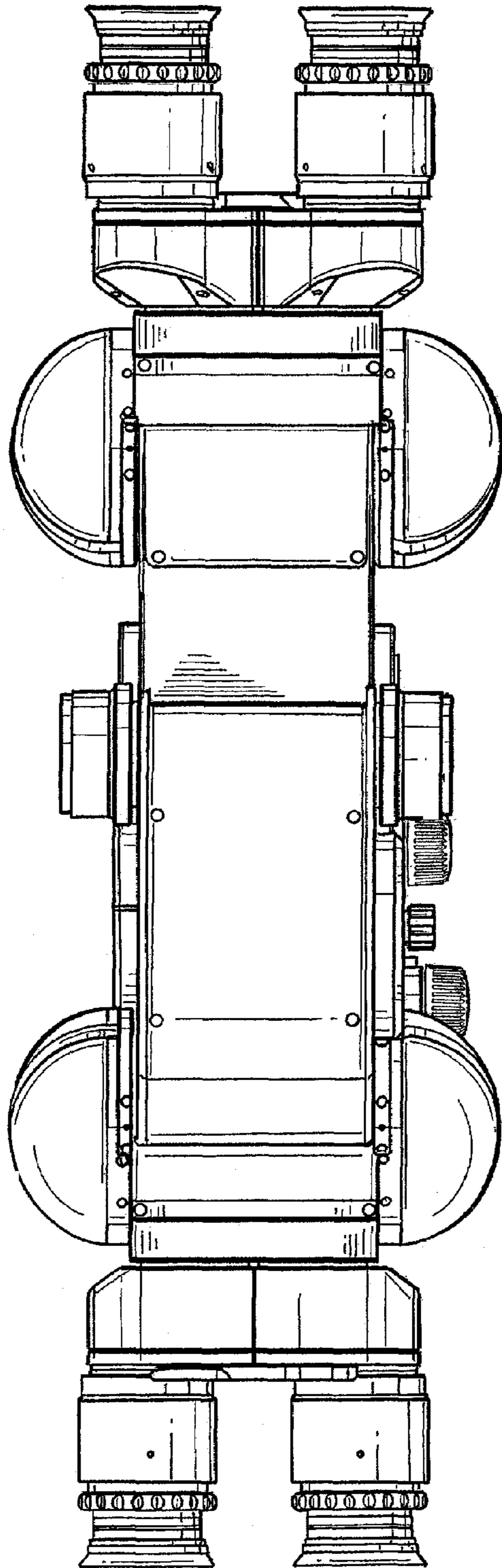


FIG. 4

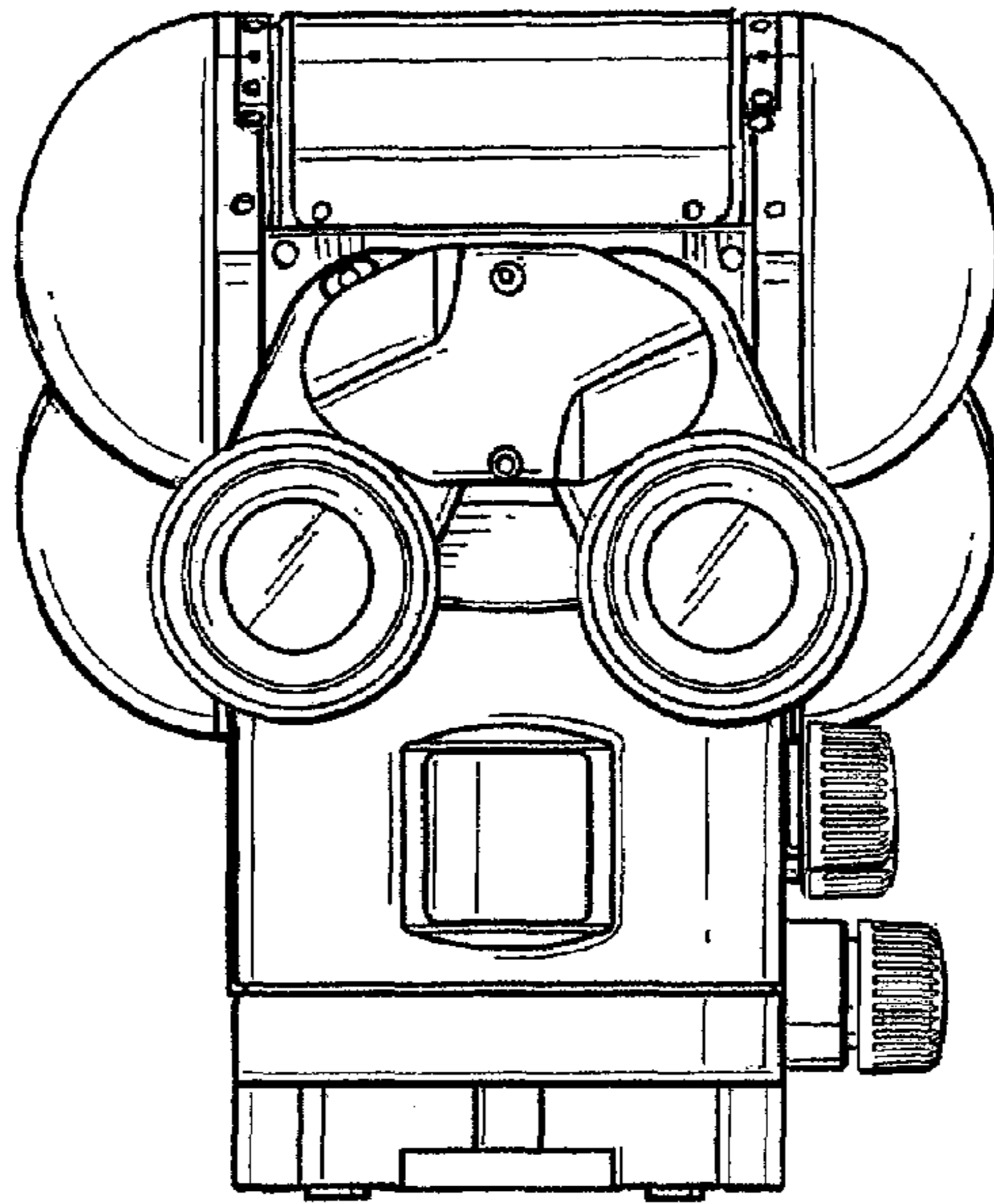


FIG. 5

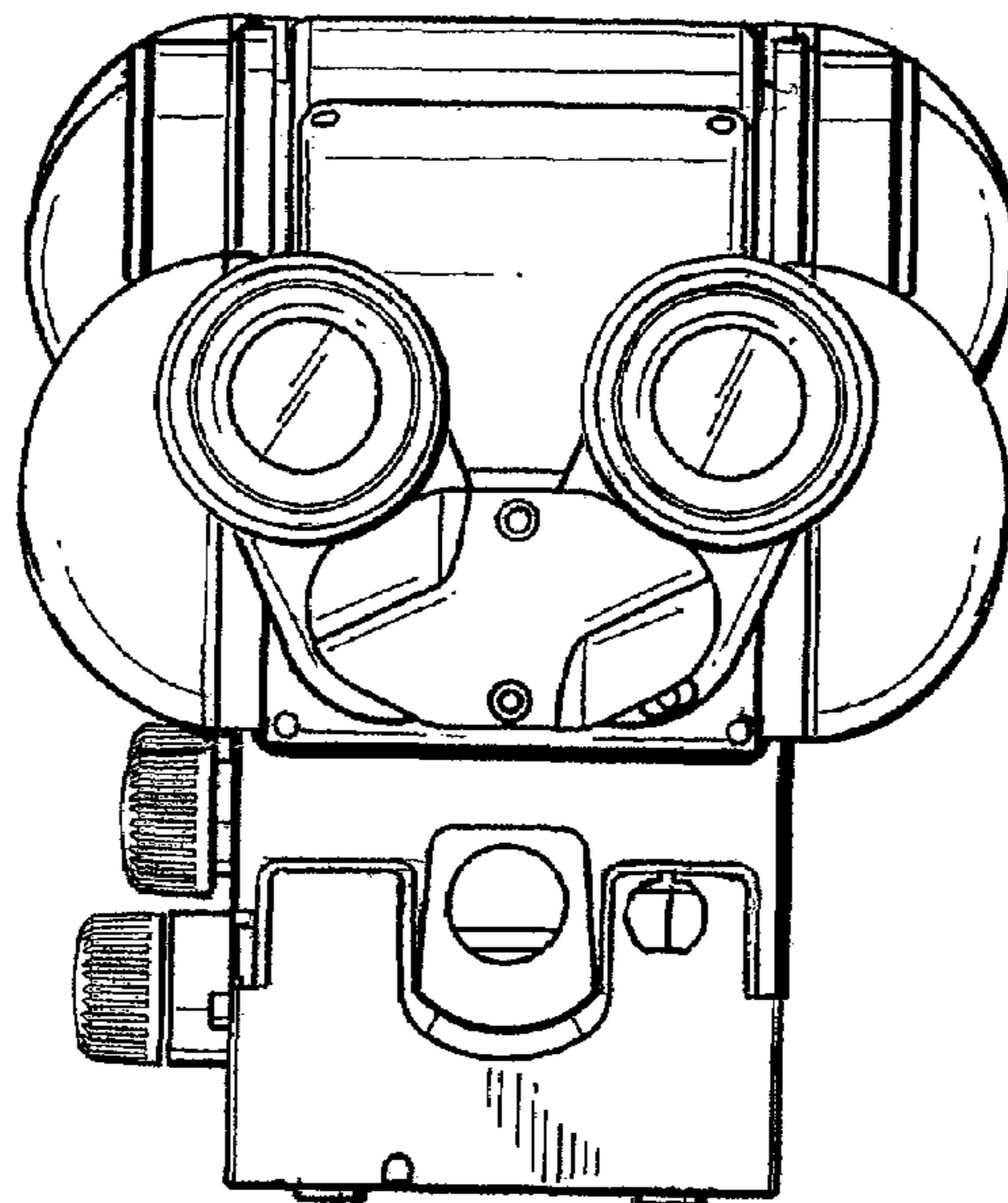


FIG. 6

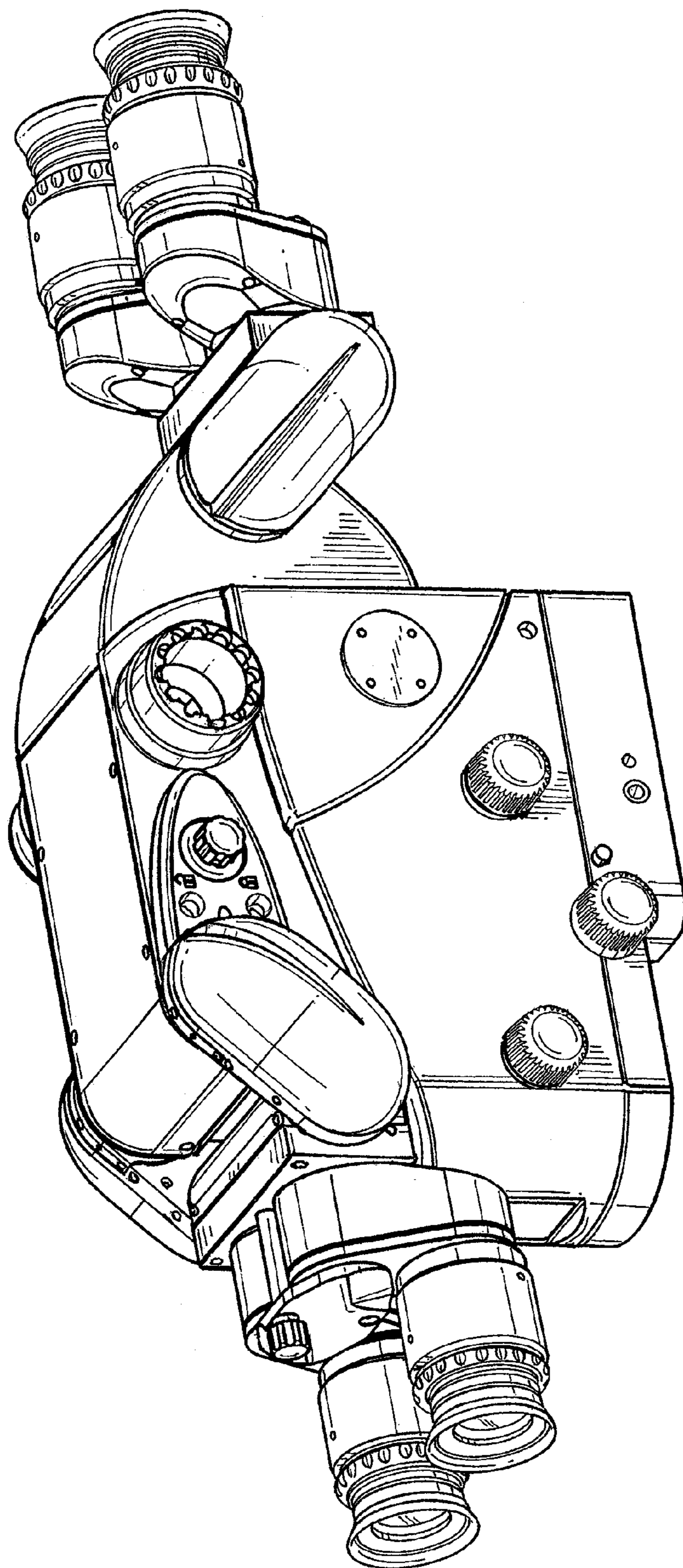


FIG. 7

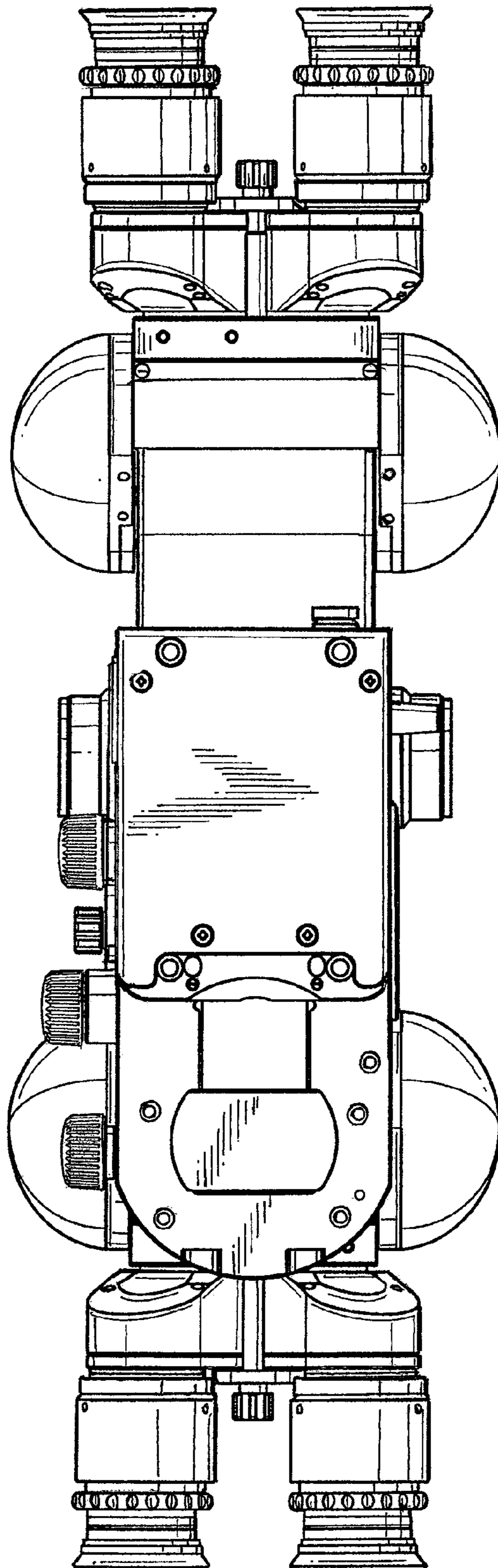


FIG. 8