



US00D579955S

(12) **United States Design Patent**
Sewell et al.

(10) **Patent No.:** **US D579,955 S**
(45) **Date of Patent:** **** Nov. 4, 2008**

(54) **TWO WHEEL ARTICULATED TOOL CARRIER CHASSIS**

4,322,899 A * 4/1982 Clune 37/352
D266,765 S * 11/1982 Clune D15/21
4,401,408 A * 8/1983 Gibert 414/687
4,402,352 A * 9/1983 Hodges 144/24.12

(75) Inventors: **Cody L. Sewell**, Perry, OK (US); **Jacob A. Hamburger**, Perry, OK (US); **Dennis E. Bass**, Perry, OK (US); **Stephen G. Miggels**, Wyckoff, NJ (US); **Christopher Barrow**, Queens Village, NY (US); **Henry Mack**, Phillipsburg, NJ (US)

(Continued)

OTHER PUBLICATIONS

(73) Assignee: **The Charles Machine Works, Inc.**, Perry, OK (US)

Burkeen Manufacturing Company, "TP16 Trencher-Plow", brochure, Olive Branch, Mississippi.

(**) Term: **14 Years**

(Continued)

(21) Appl. No.: **29/295,191**

Primary Examiner—Stella M. Reid
Assistant Examiner—Mark A Goodwin

(22) Filed: **Sep. 21, 2007**

(74) *Attorney, Agent, or Firm*—Tomlinson & O'Connell, PC

(51) **LOC (8) Cl.** **15-03**

(57) **CLAIM**

(52) **U.S. Cl.** **D15/22; D15/10**

The ornamental design for a two wheel articulated tool carrier chassis, as shown and described.

(58) **Field of Classification Search** D15/10,
D15/11, 12, 21, 22, 23, 28, 33; D12/14,
D12/15; D34/16, 18, 19; 56/2; 172/256,
172/329, 332, 351, 354, 42-48; 280/418;
37/352, 363, 86, 191 A, 192 A, 465, 362,
37/421, 422; 180/6.64, 8.3, 418, 305, 19.1,
180/89.12; 414/744.1, 685-688, 699, 680;
298/1 C, 22 R, 7

See application file for complete search history.

DESCRIPTION

(56) **References Cited**

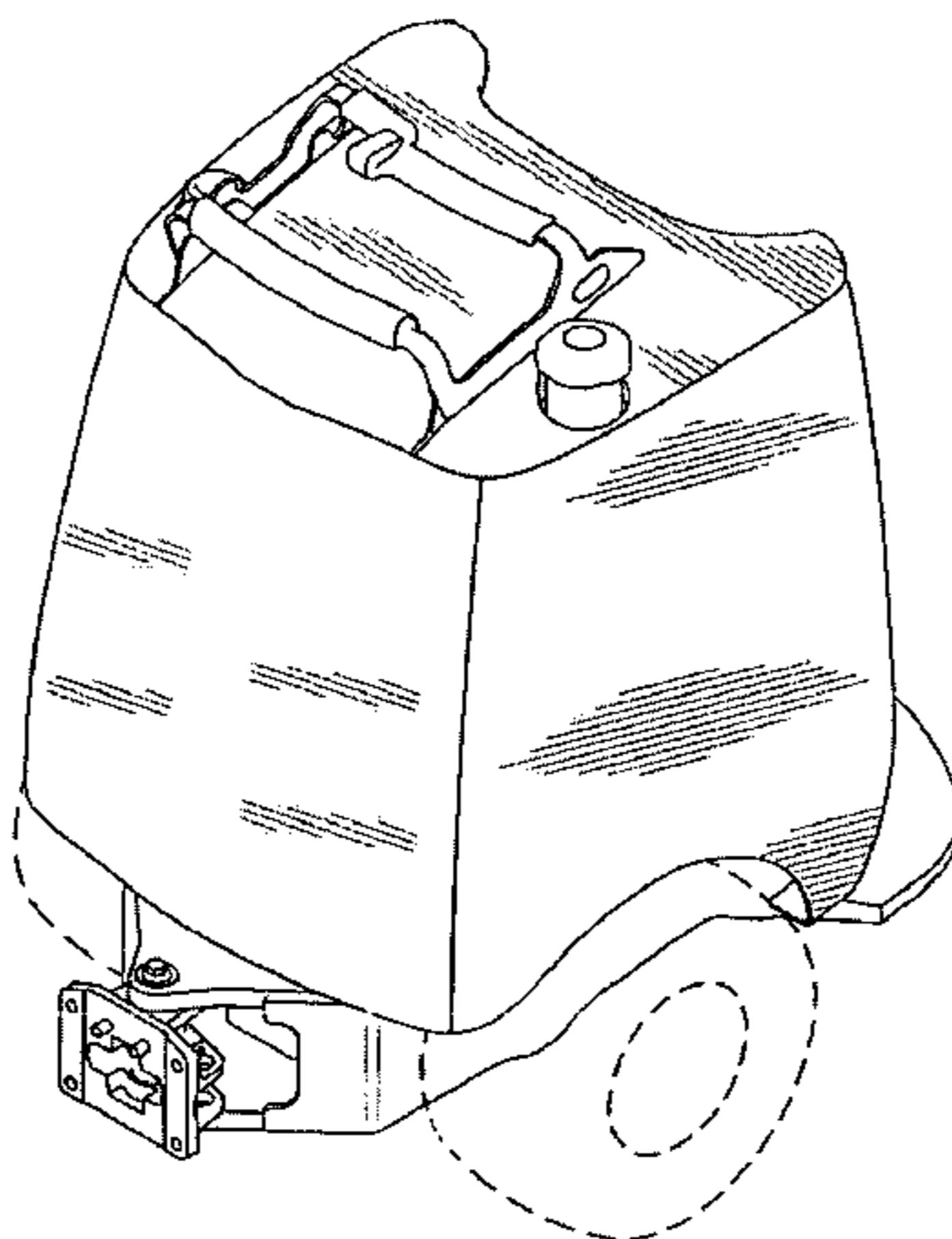
U.S. PATENT DOCUMENTS

D153,255 S * 4/1949 Boza D34/16
D159,877 S * 8/1950 Whiteman D12/15
D159,987 S * 9/1950 Jones D34/16
D166,817 S * 5/1952 Miller et al. D34/16
2,835,055 A * 5/1958 Hermes 37/363
2,990,631 A * 7/1961 Brown 37/363
D195,254 S * 5/1963 Keller et al. D15/25
D196,297 S * 9/1963 Malzahn D15/22
D205,485 S * 8/1966 Juhl et al. D15/25
4,222,186 A * 9/1980 Molby 37/410

FIG. 1 is a left side view of two wheel articulated tool carrier chassis showing our new design;
FIG. 2 is a rear view thereof;
FIG. 3 is a front view thereof;
FIG. 4 is a right side view thereof;
FIG. 5 is a top view thereof;
FIG. 6 is a bottom view thereof;
FIG. 7 is a front top left perspective view thereof; and,
FIG. 8 is front top right perspective view.

The broken line showing of the wheels is included for the purpose of illustrating portions of the two wheel articulated tool carrier chassis and forms no part of the claimed design.

1 Claim, 8 Drawing Sheets



US D579,955 S

Page 2

U.S. PATENT DOCUMENTS

D281,428	S *	11/1985	Kent	D15/21	6,766,601	B2 *	7/2004	Dickins	37/363
D294,032	S *	2/1988	Whiffin	D15/25	6,830,111	B2 *	12/2004	Page	172/42
4,896,442	A *	1/1990	Stiff et al.	37/355	6,848,526	B2 *	2/2005	Burt et al.	180/69.4
D319,063	S *	8/1991	Warren	D15/21	6,860,043	B1 *	3/2005	Heise et al.	37/352
5,212,896	A *	5/1993	Hillard et al.	37/355	6,889,793	B2 *	5/2005	Okada et al.	180/435
5,228,221	A *	7/1993	Hillard et al.	37/355	6,955,404	B1 *	10/2005	Best et al.	298/1 C
D359,497	S *	6/1995	Rayner	D15/25	6,962,209	B2 *	11/2005	Isaman et al.	172/19
D410,313	S *	5/1999	Dombek et al.	D34/19	6,997,667	B2 *	2/2006	Hackett et al.	414/685
D431,574	S *	10/2000	Porter	D15/25	D555,673	S *	11/2007	Hendron et al.	D15/22
6,151,811	A	11/2000	Barreto		2001/0000641	A1 *	5/2001	Dombek et al.	298/7
6,155,648	A *	12/2000	Dombek et al.	298/1 C	2001/0040405	A1 *	11/2001	Jansen et al.	298/1 C
D438,218	S *	2/2001	McIlwraith	D15/25	2003/0095857	A1 *	5/2003	Degelman	414/685
6,322,151	B2 *	11/2001	Dombek et al.	298/1 C	2003/0221399	A1 *	12/2003	Hall	56/2
6,397,667	B1	6/2002	Fujii		2006/0119164	A1 *	6/2006	Heskin	298/1 C
6,397,967	B1 *	6/2002	McIlwraith	180/308	2007/0131437	A1 *	6/2007	Sewell	172/256
6,425,452	B1 *	7/2002	Steiner et al.	180/233	2007/0132204	A1 *	6/2007	Sewell	280/418
D463,454	S *	9/2002	Miller et al.	D15/22						
6,578,924	B2 *	6/2003	Jansen et al.	298/1 C						
D479,535	S *	9/2003	Lange	D15/25						
6,619,754	B1 *	9/2003	Dombek et al.	298/1 C						
6,715,579	B1 *	4/2004	Hendron	280/764.1						

OTHER PUBLICATIONS

Burkeen Equipment & Supply Company, Walk Behind Trencher/
Plow, advertisement, 1981, Memphis Tennessee.
Davis, "Davis Fleetline 12+2", brochure.

* cited by examiner

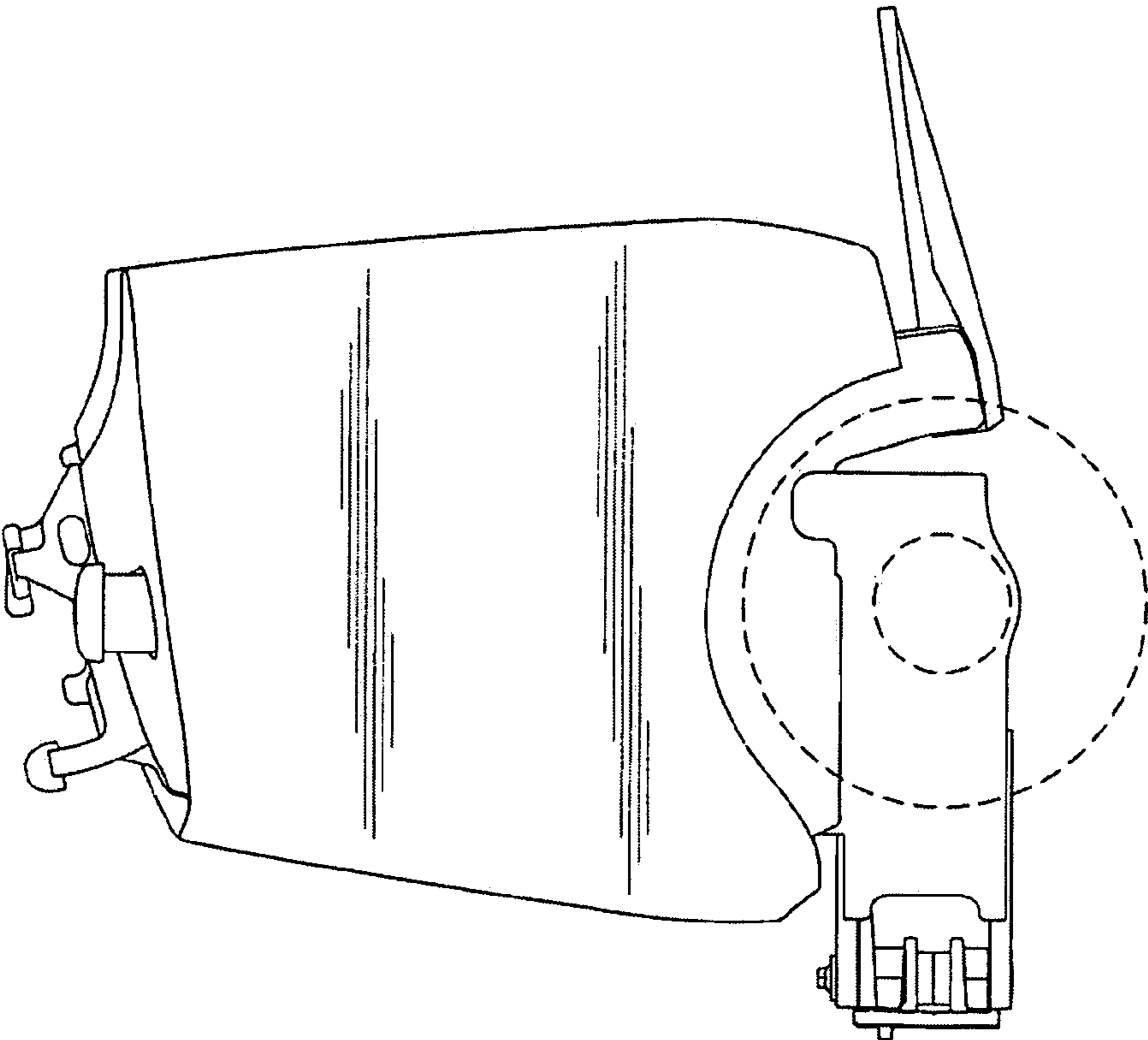


FIGURE 1

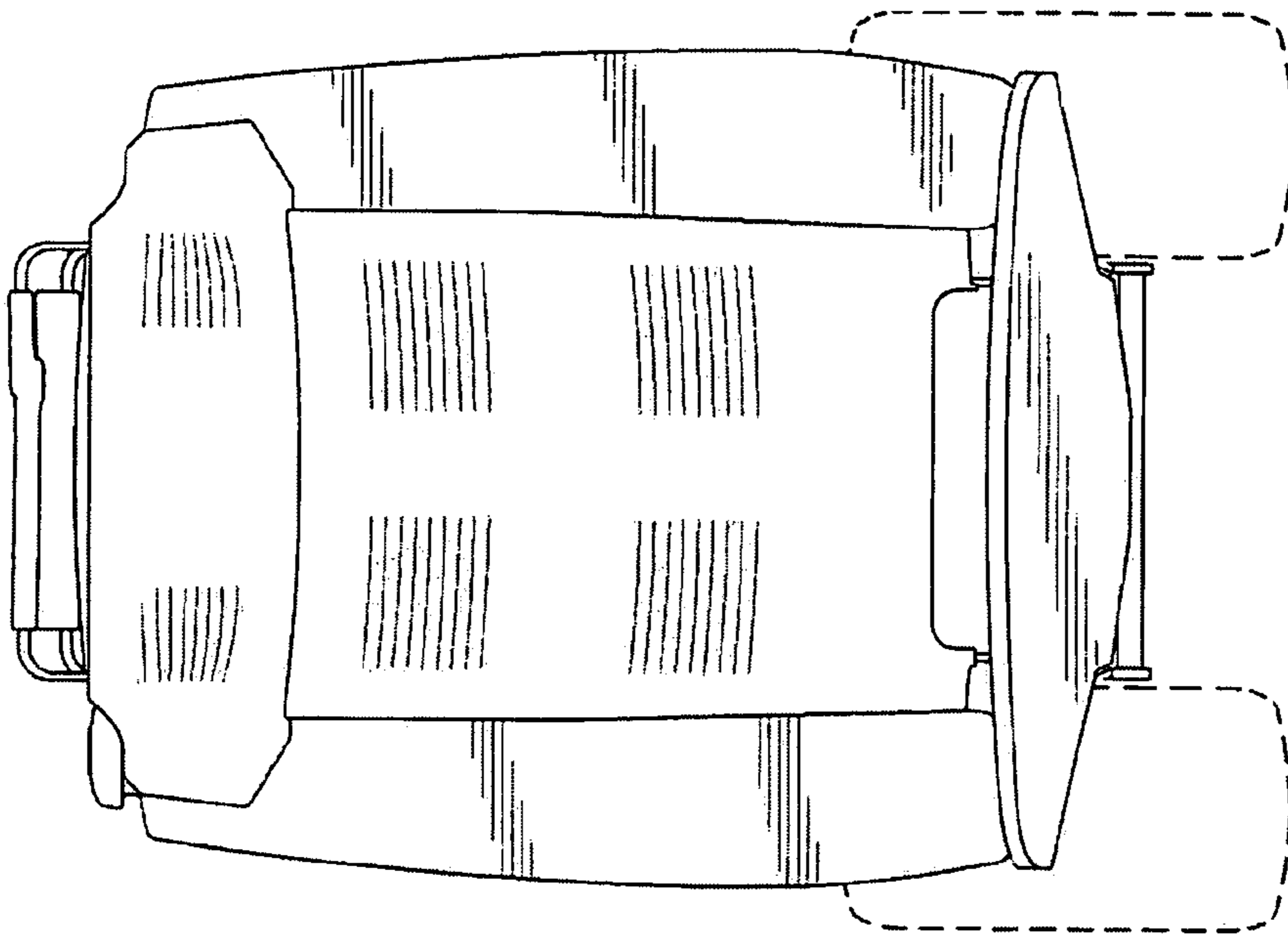


FIGURE 2

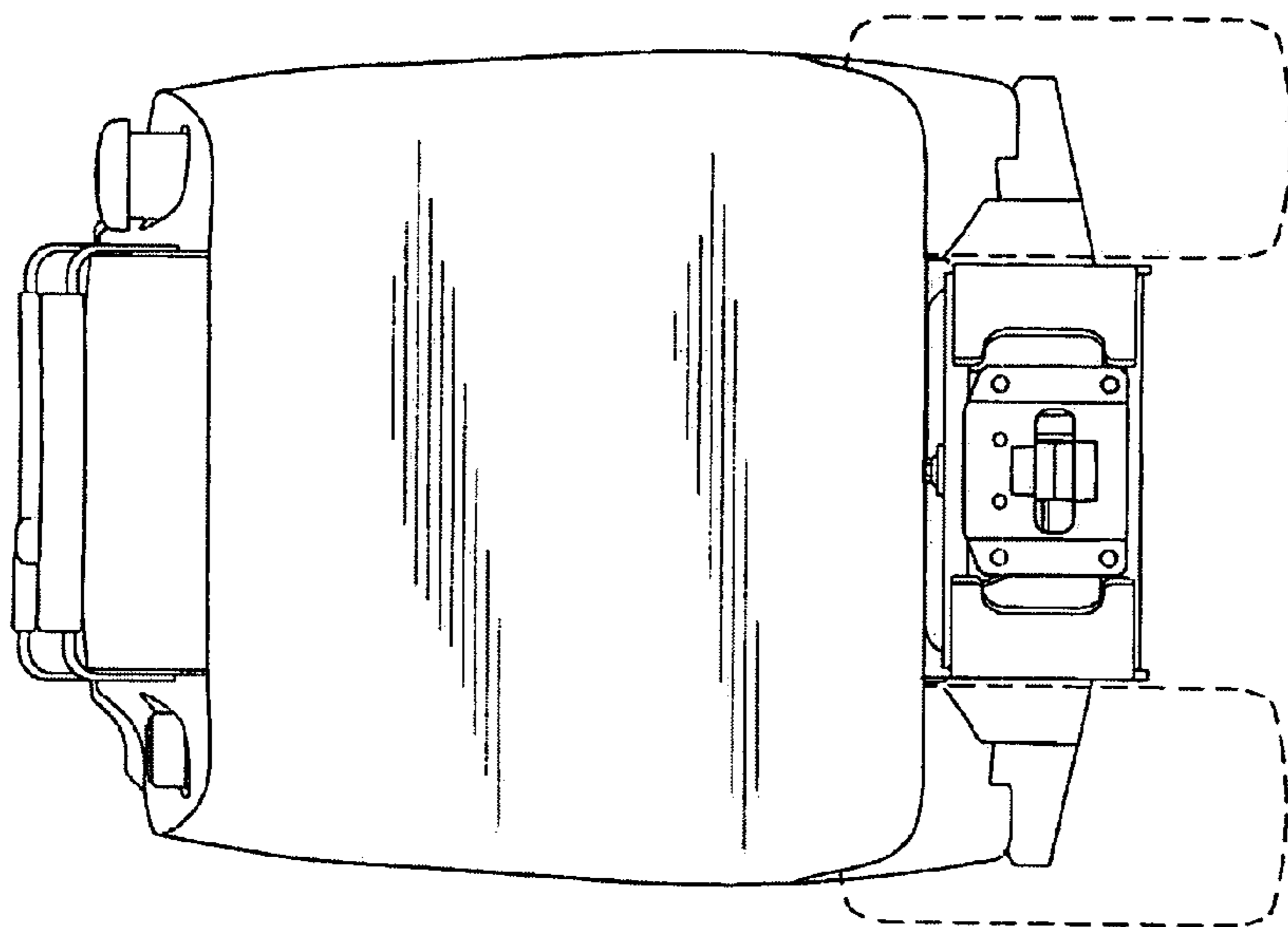


FIGURE 3

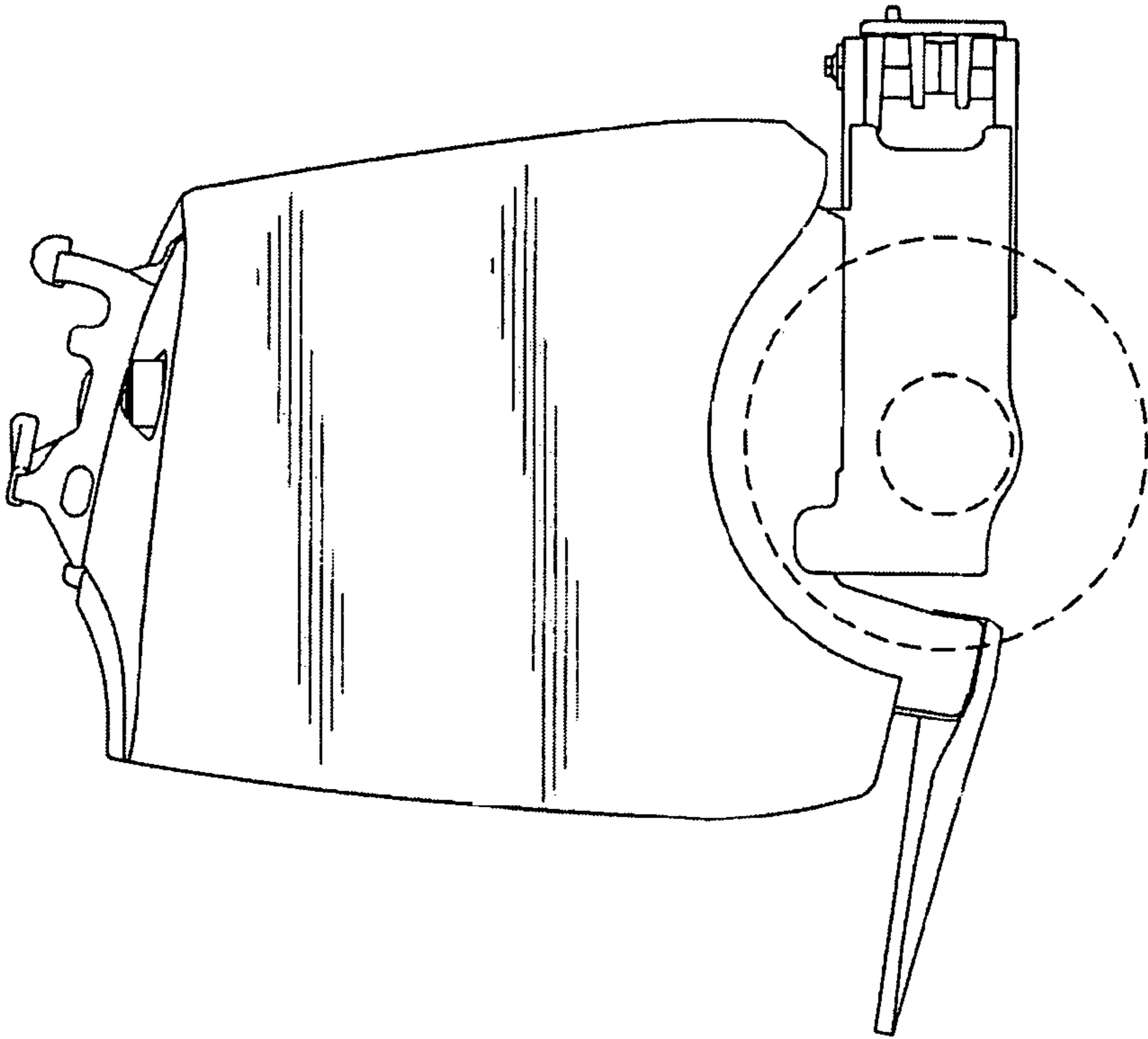


FIGURE 4

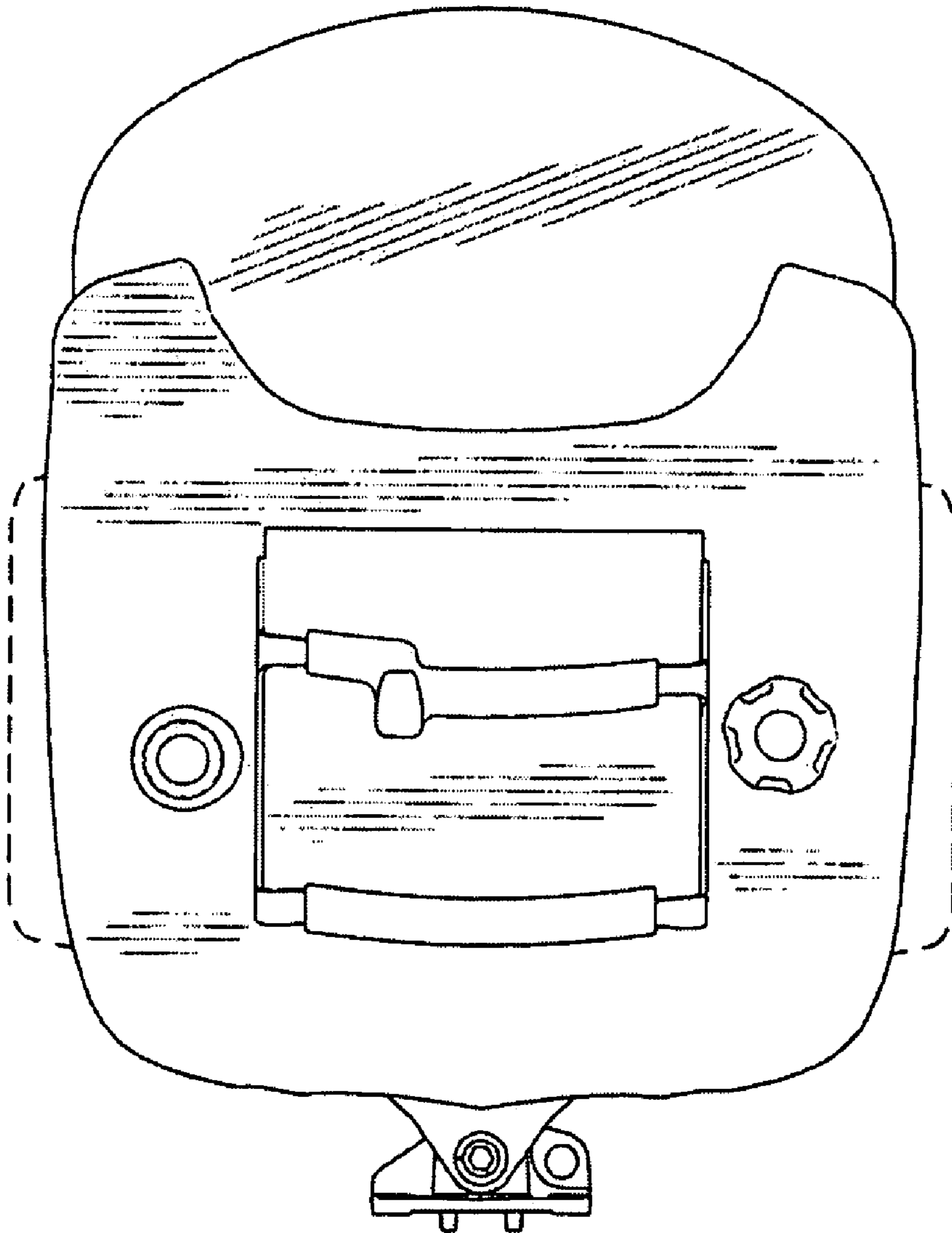


FIGURE 5

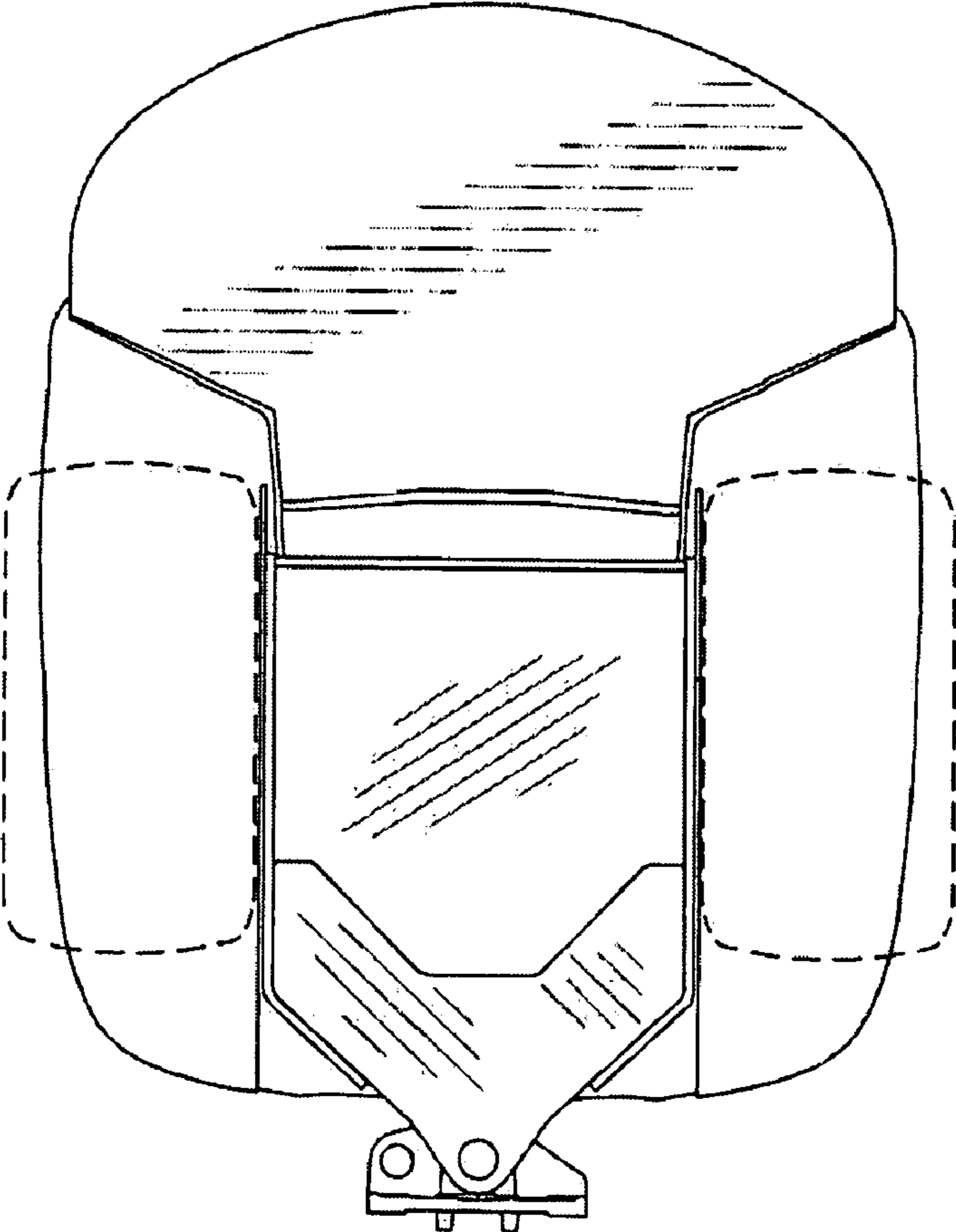


FIGURE 6

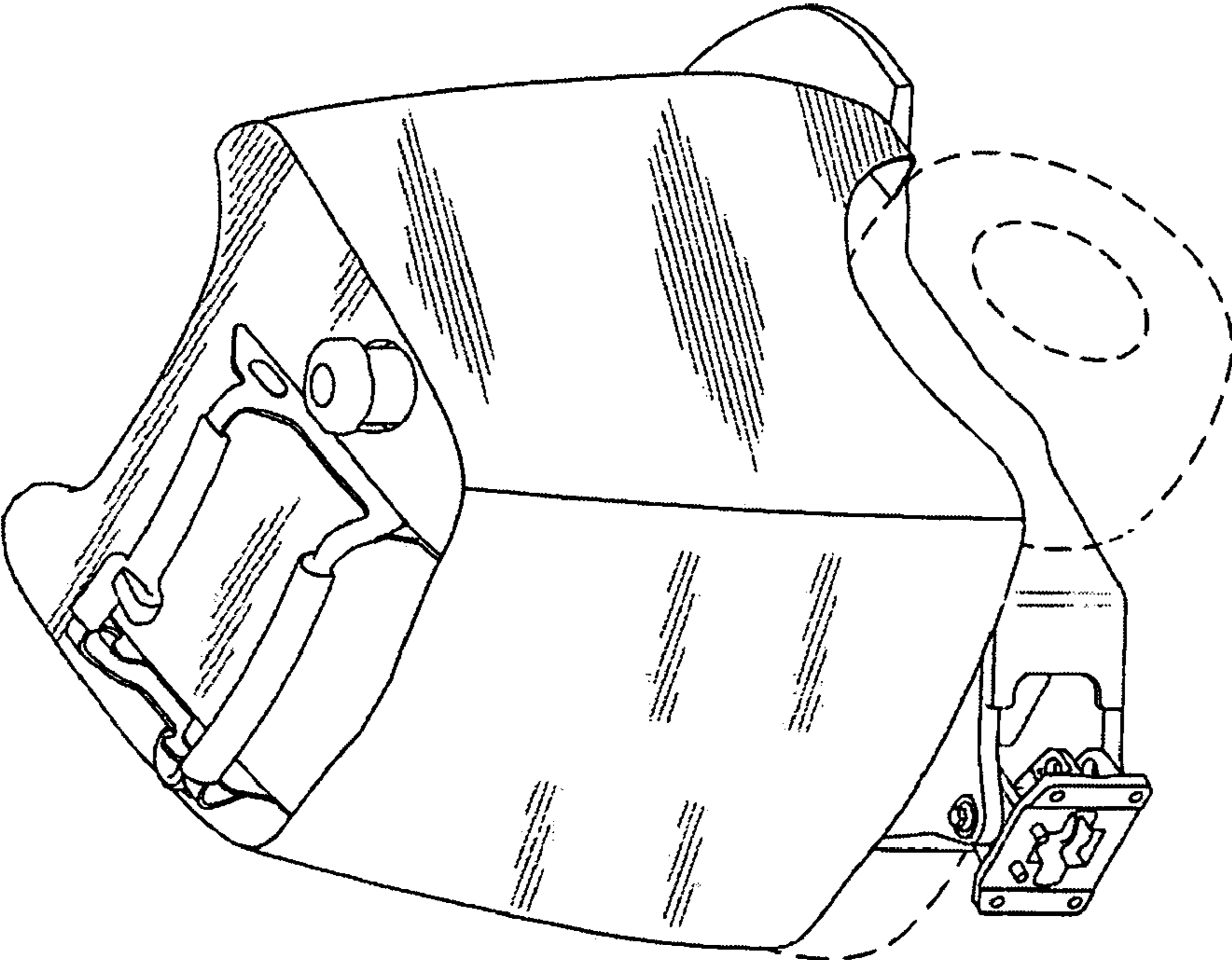


FIGURE 7

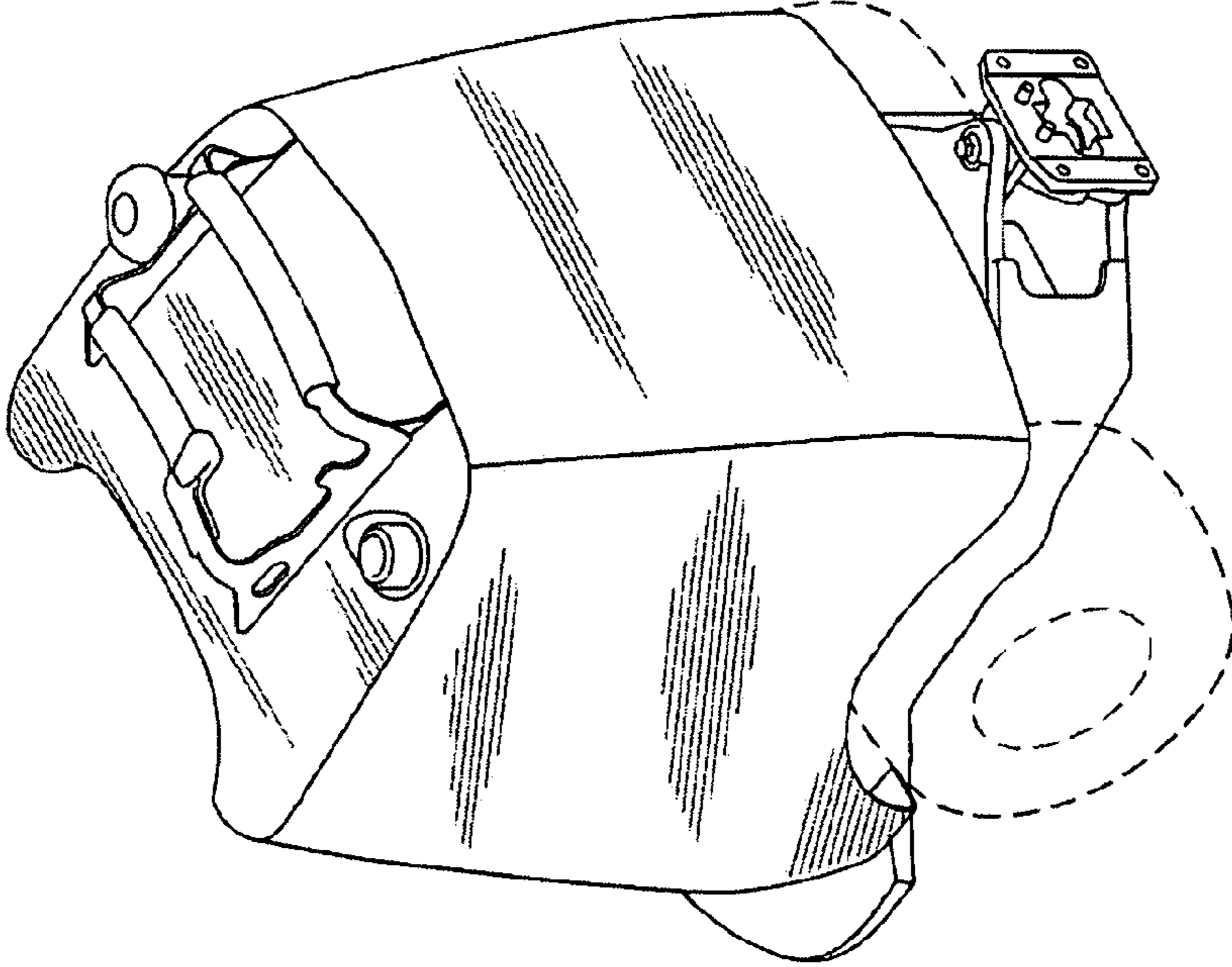


FIGURE 8