

US00D579952S

(12) **United States Design Patent**
Yamada

(10) **Patent No.:** **US D579,952 S**
(45) **Date of Patent:** **** Nov. 4, 2008**

(54) **AUDIO PLAYER**

D555,169 S * 11/2007 Shimizu et al. D14/496

(75) Inventor: **Yoshinori Yamada**, Tokyo (JP)

FOREIGN PATENT DOCUMENTS

(73) Assignee: **Sony Corporation**, Tokyo (JP)

JP D1229121 S 1/2005

(**) Term: **14 Years**

OTHER PUBLICATIONS

(21) Appl. No.: **29/269,455**

Web page press release "XW-HT1" http://www3.pioneer.co.jp/product/product_info.php?product_no=00000162&cate_cd=106&option_no=4, 2 sheets, Pioneer Corporation (Nov. 21, 2006).

(22) Filed: **Dec. 1, 2006**

Web page press release "151SE(B/W)" http://www.bose.co.jp/home_audio/env_speakers/151.html, 1 sheet, Bose KK (Nov. 21, 2006).

(30) **Foreign Application Priority Data**

"WII", Newproducts, p. 4 (Feb. 1992) JPO Design Publication Reference No. HC04004601, Cited by the JPO in Office Action mailed Mar. 27, 2007.

Aug. 29, 2006 (JP) 2006-022790

(51) **LOC (8) Cl.** **14-03**

* cited by examiner

(52) **U.S. Cl.** **D14/496**

Primary Examiner—Prabhakar Deshmukh

(58) **Field of Classification Search** D14/496,
D14/401, 435, 474, 483, 217, 137, 138, 160,
D14/168; 345/156, 169, 173–179, 905; 715/727–729,
715/864; 455/11.1, 773, 344–347, 93, 95;
370/342–344; 369/1, 2, 6, 12; 463/43–47;
273/148 B

(74) *Attorney, Agent, or Firm*—Rader, Fishman & Grauer, PLLC

See application file for complete search history.

(57) **CLAIM**

The ornamental design for an audio player, as shown and described.

(56) **References Cited**

DESCRIPTION

U.S. PATENT DOCUMENTS

FIG. 1 is a perspective view of an audio player showing my new design;

D379,627 S	6/1997	Takahashi	
D421,607 S	3/2000	Hakoda	
6,092,694 A *	7/2000	Sadow	222/78
6,122,526 A *	9/2000	Parulski et al.	455/556.1
D441,735 S *	5/2001	Katayama	D14/156
D446,188 S	8/2001	Gershfeld	
D491,165 S	6/2004	Hakoda	
D503,396 S	3/2005	Hisatsune	
D505,129 S	5/2005	Yuyama	
D505,130 S *	5/2005	Yuyama	D14/168
D511,339 S	11/2005	Tsuge	
D515,545 S *	2/2006	Griffin	D14/155
D516,579 S *	3/2006	Nakamura	D14/496
D531,619 S *	11/2006	Chau	D14/217
D533,185 S *	12/2006	Ishida et al.	D14/496

FIG. 2 is a front elevational view thereof;

FIG. 3 is a rear elevational view thereof;

FIG. 4 is a left side elevational view thereof;

FIG. 5 is a right side elevational view thereof;

FIG. 6 is a top plan view thereof; and,

FIG. 7 is a bottom plan view thereof.

The broken lines, which define the bounds of the claimed design, form no part thereof. The broken lines environmental are for illustrative purpose only and form no part of the claimed design.

1 Claim, 7 Drawing Sheets

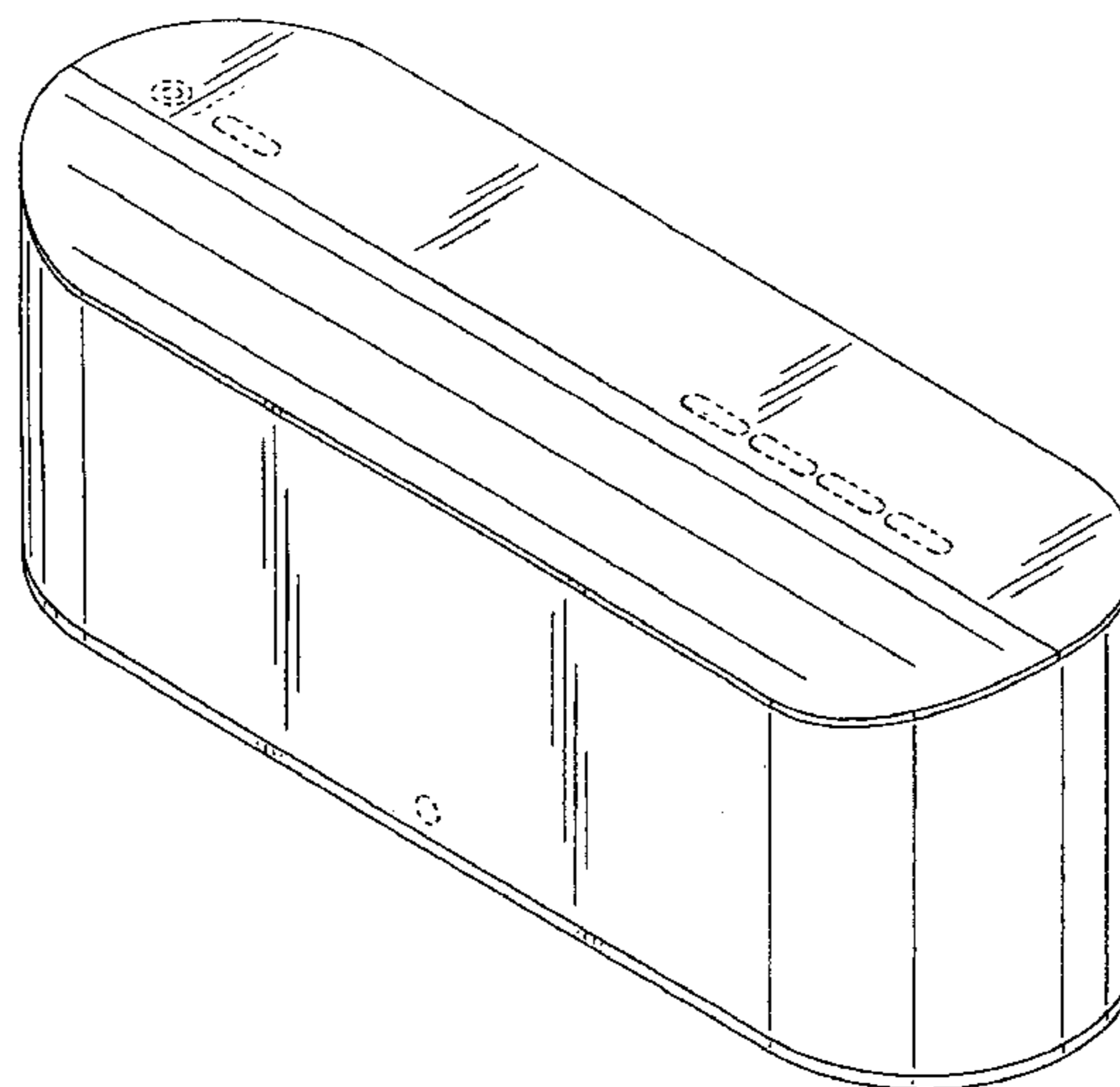


Fig.1

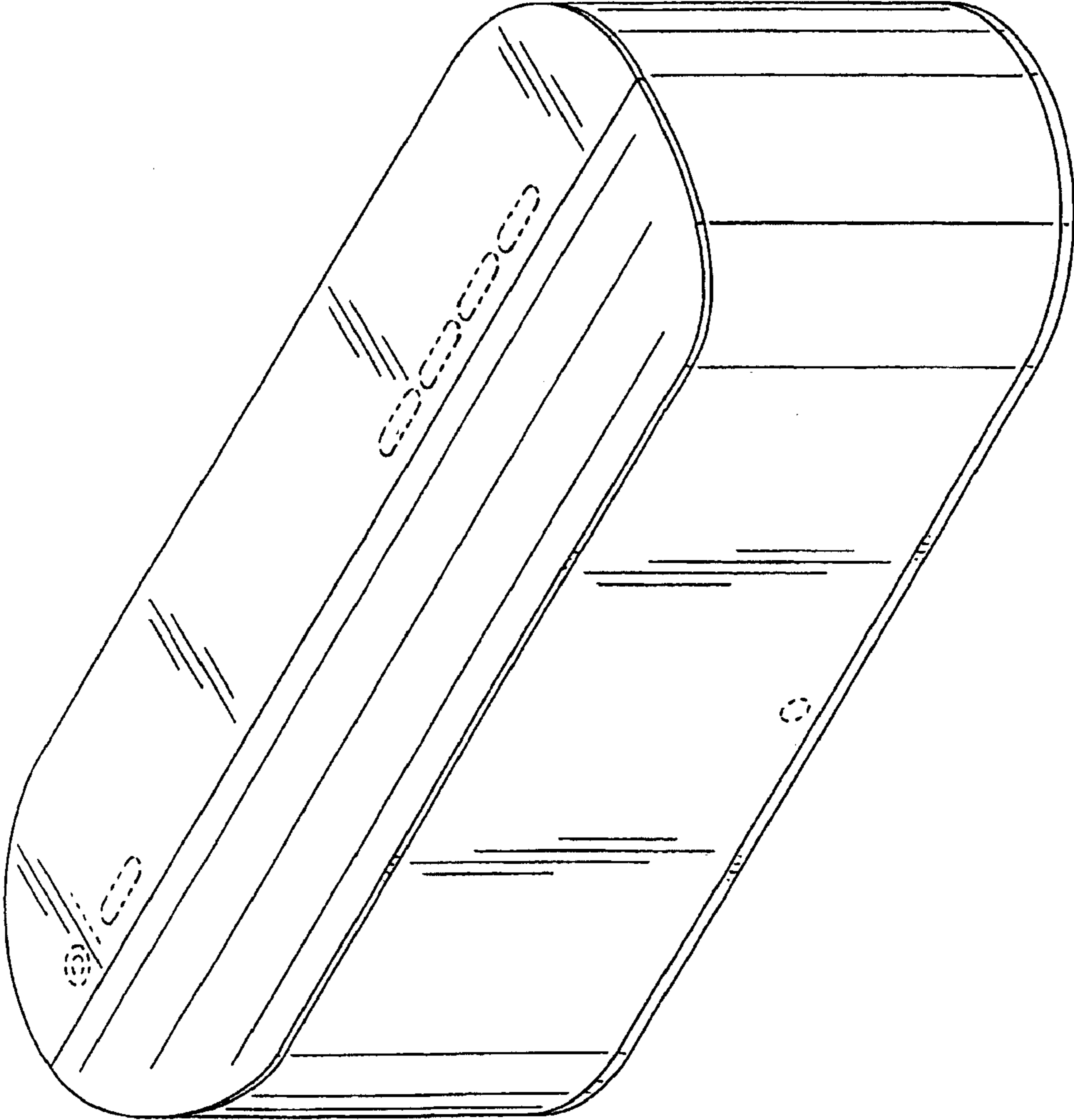


Fig.2

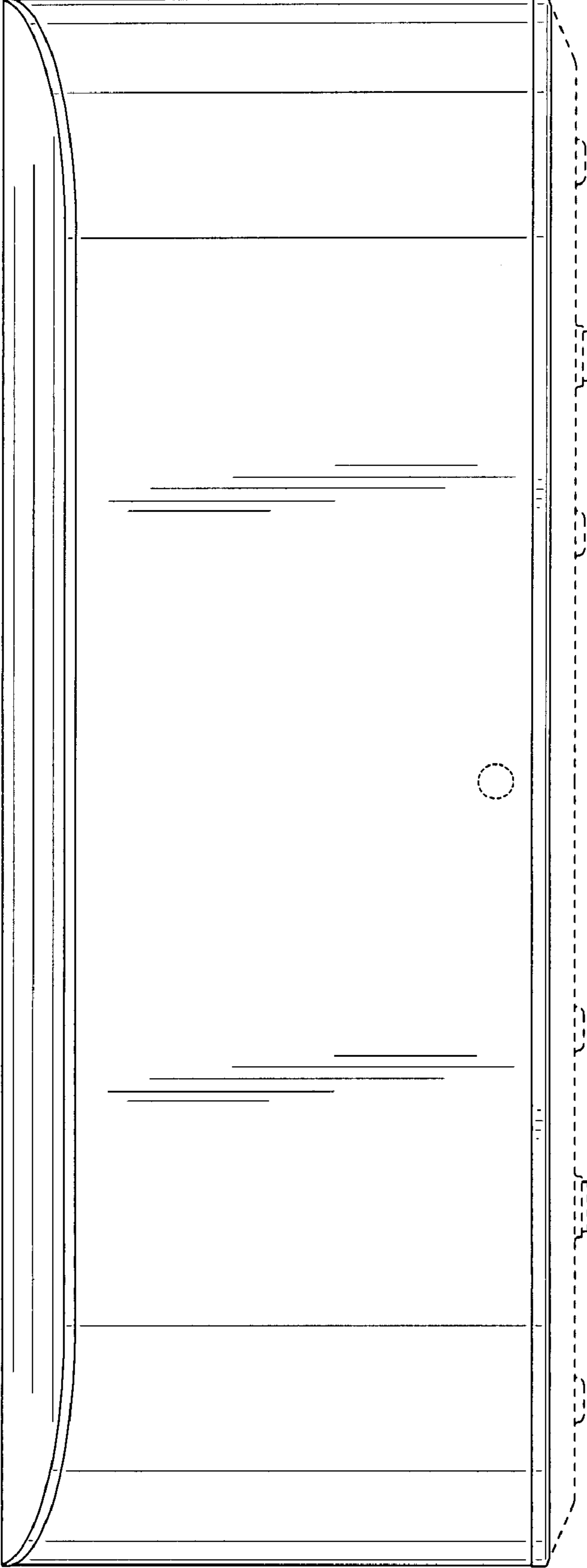


Fig.3

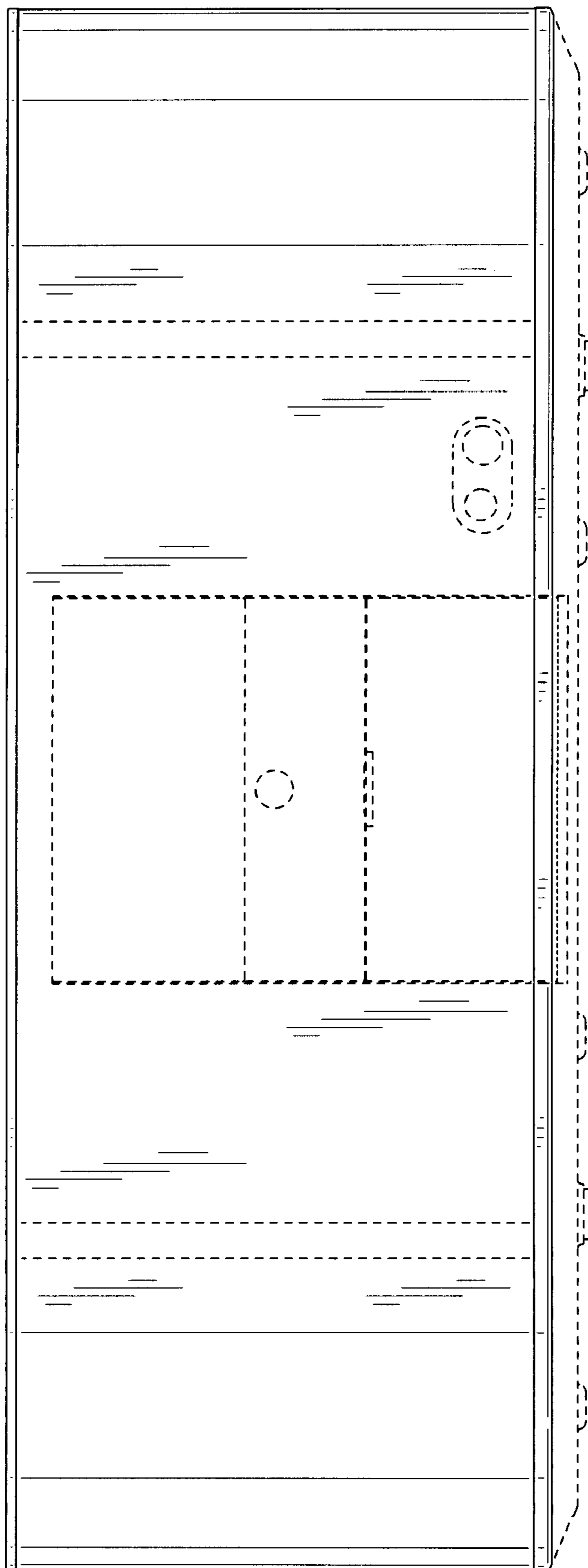


Fig.4

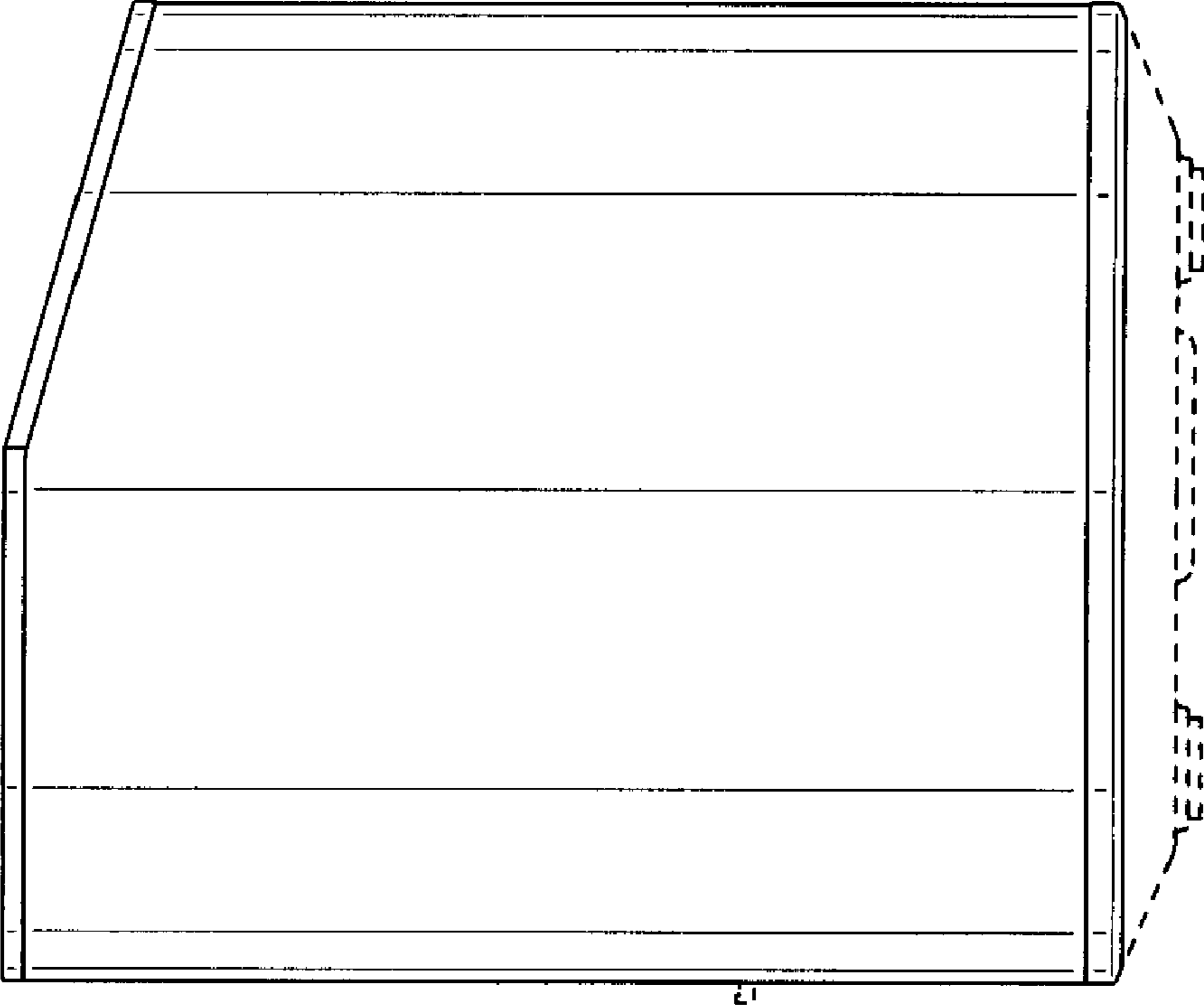


Fig. 5

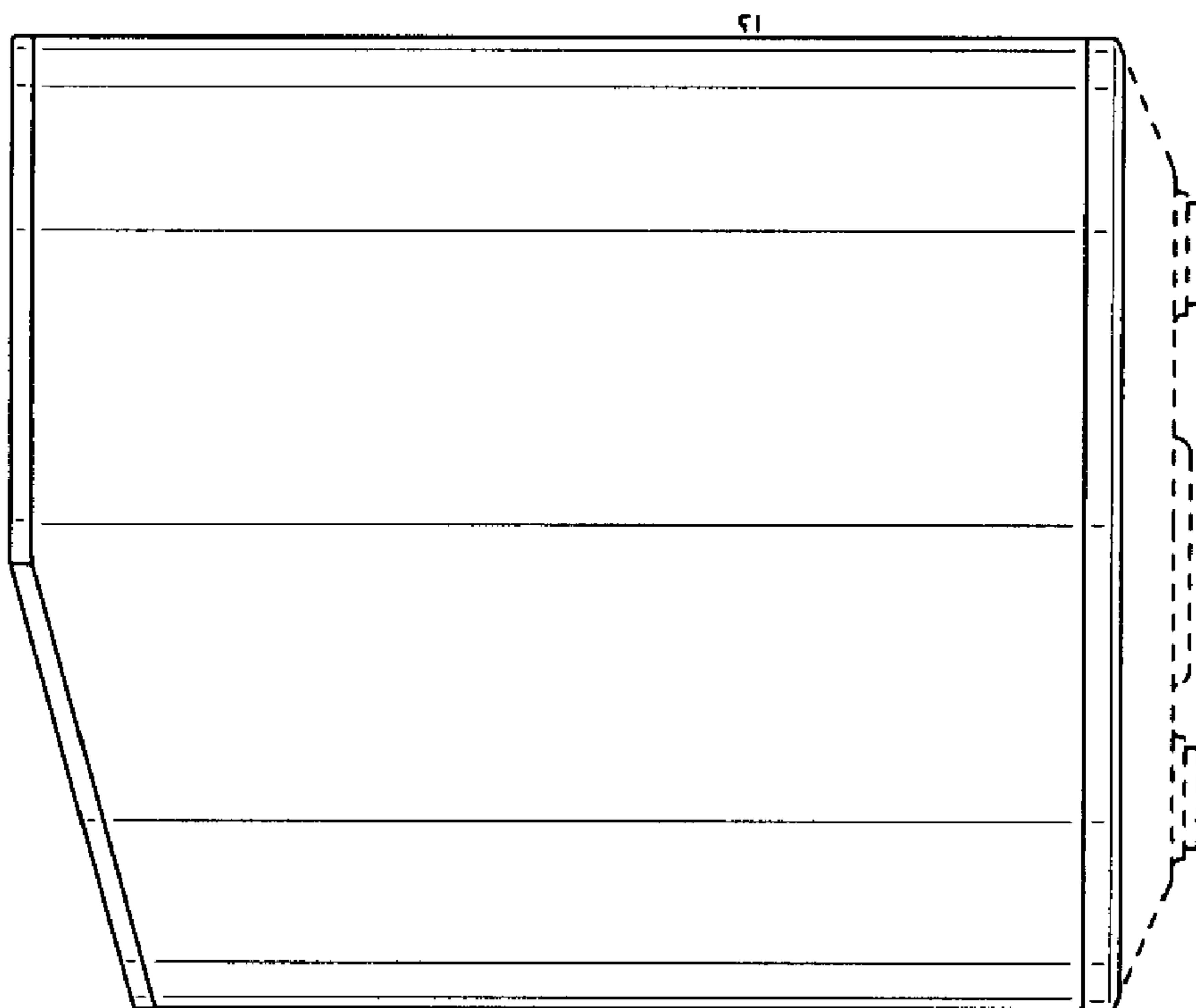


Fig.6

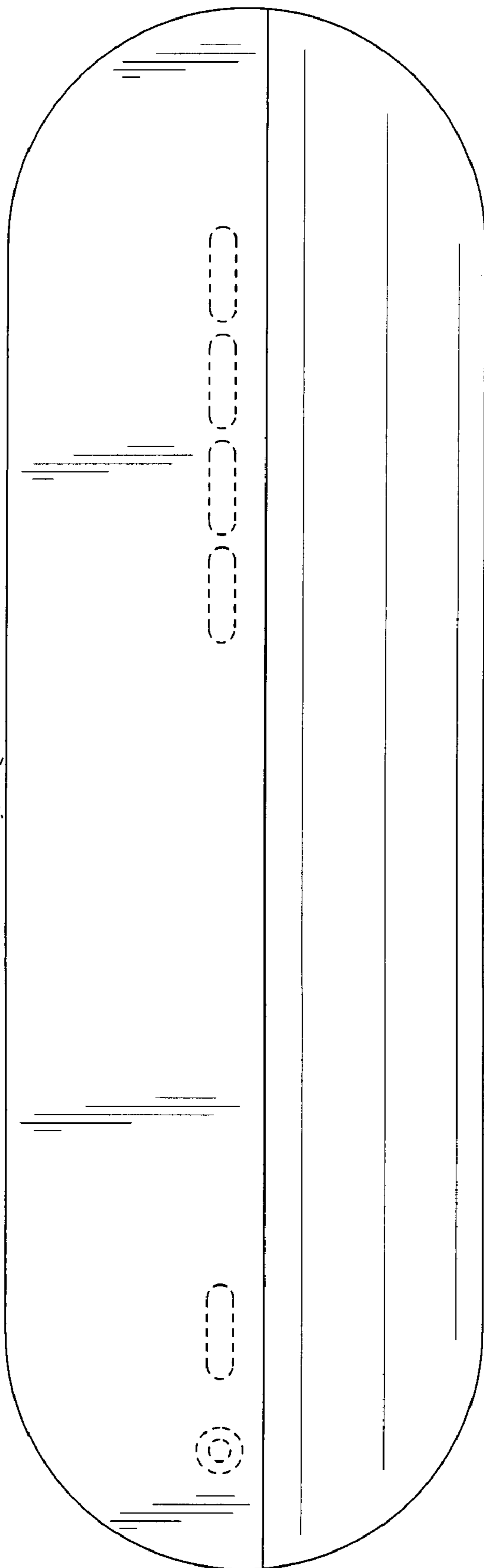


Fig.7

