



US00D579942S

(12) **United States Design Patent**
Terry et al.

(10) **Patent No.:** **US D579,942 S**

(45) **Date of Patent:** **** Nov. 4, 2008**

(54) **CASSETTE**

(75) Inventors: **Chad Terry**, Lunenburg, MA (US);
Jonathan Towle, Amherst, NH (US);
John Aho, Lunenburg, MA (US); **Leslie Scenna**, Amherst, NH (US); **Thomas Eagan**, Chelmsford, MA (US)

(73) Assignee: **DYMO**, Sint-Niklaas (BE)

(**) Term: **14 Years**

(21) Appl. No.: **29/298,593**

(22) Filed: **Dec. 7, 2007**

(51) **LOC (8) Cl.** **14-99**

(52) **U.S. Cl.** **D14/474; D18/56**

(58) **Field of Classification Search** D14/163-165,
D14/263, 435, 474-484; D13/103; D18/27,
D18/35, 40, 43, 44, 56; 400/207; 347/86
See application file for complete search history.

(56) **References Cited**

U.S. PATENT DOCUMENTS

- D217,301 S * 4/1970 Ainslie et al. D14/475
- D221,863 S * 9/1971 Bennett D14/475
- D223,027 S * 2/1972 Sours D14/475
- D276,527 S * 11/1984 Flanigan D14/435
- D342,275 S * 12/1993 Cooper D18/56
- D357,497 S * 4/1995 Gray et al. D18/12
- D359,303 S * 6/1995 Gray et al. D18/12

- D436,111 S * 1/2001 Hahn et al. D14/475
- 7,059,791 B2 * 6/2006 Vandermeulen 400/613

* cited by examiner

Primary Examiner—Prabhakar Deshmukh

Assistant Examiner—Keli L Acker

(74) *Attorney, Agent, or Firm*—Marshall Gerstein & Borun LLP

(57) **CLAIM**

The ornamental design for a cassette, as shown and described.

DESCRIPTION

FIG. 1 is a top rear perspective view of a cassette, embodying our new design;

FIG. 2 is a top front perspective view thereof;

FIG. 3 is an enlarged perspective view of the bottom front portion thereof;

FIG. 4 is an enlarged perspective view of the bottom rear portion thereof;

FIG. 5 is a side elevational view thereof;

FIG. 6 is a opposite side elevational view thereof

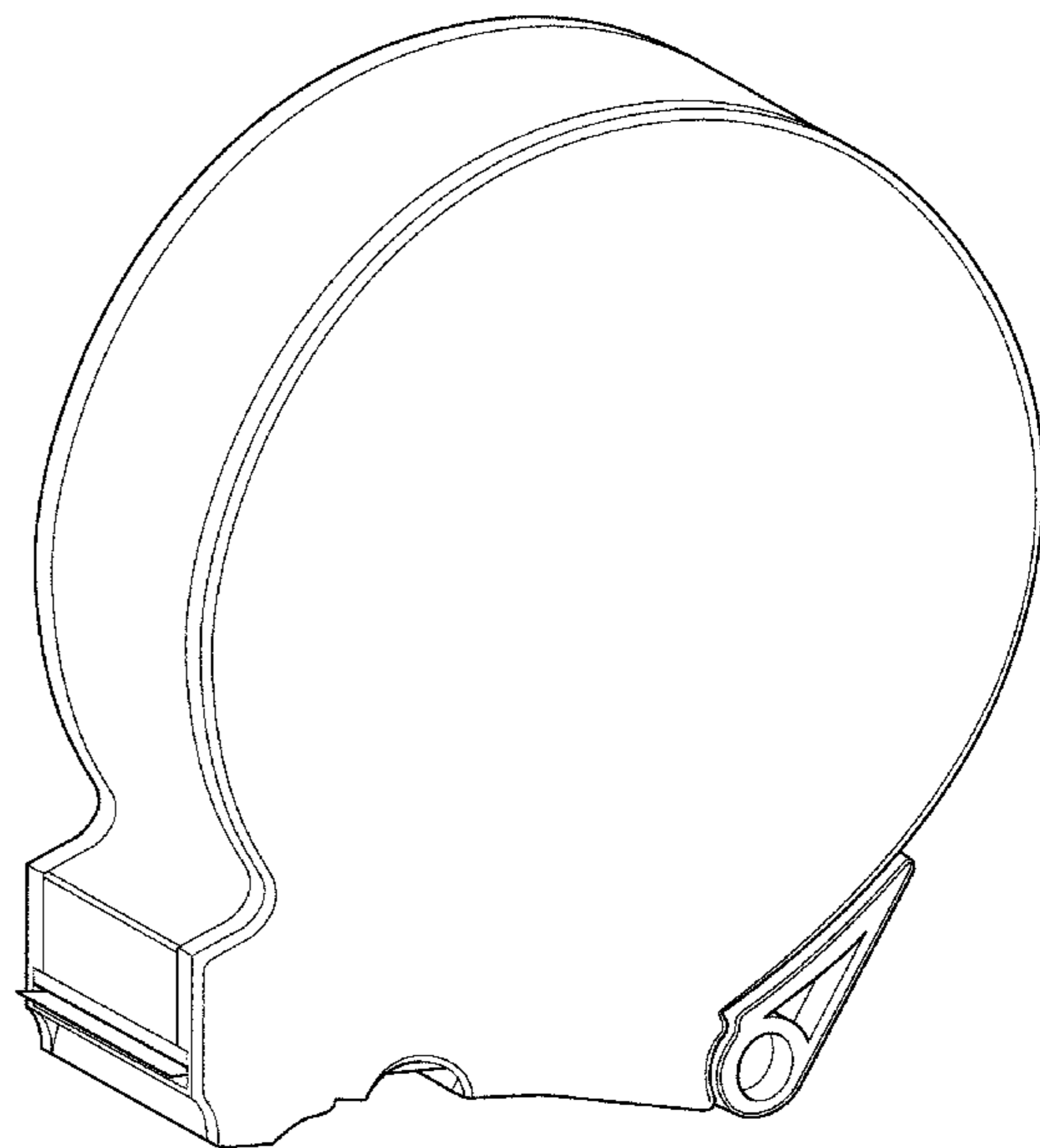
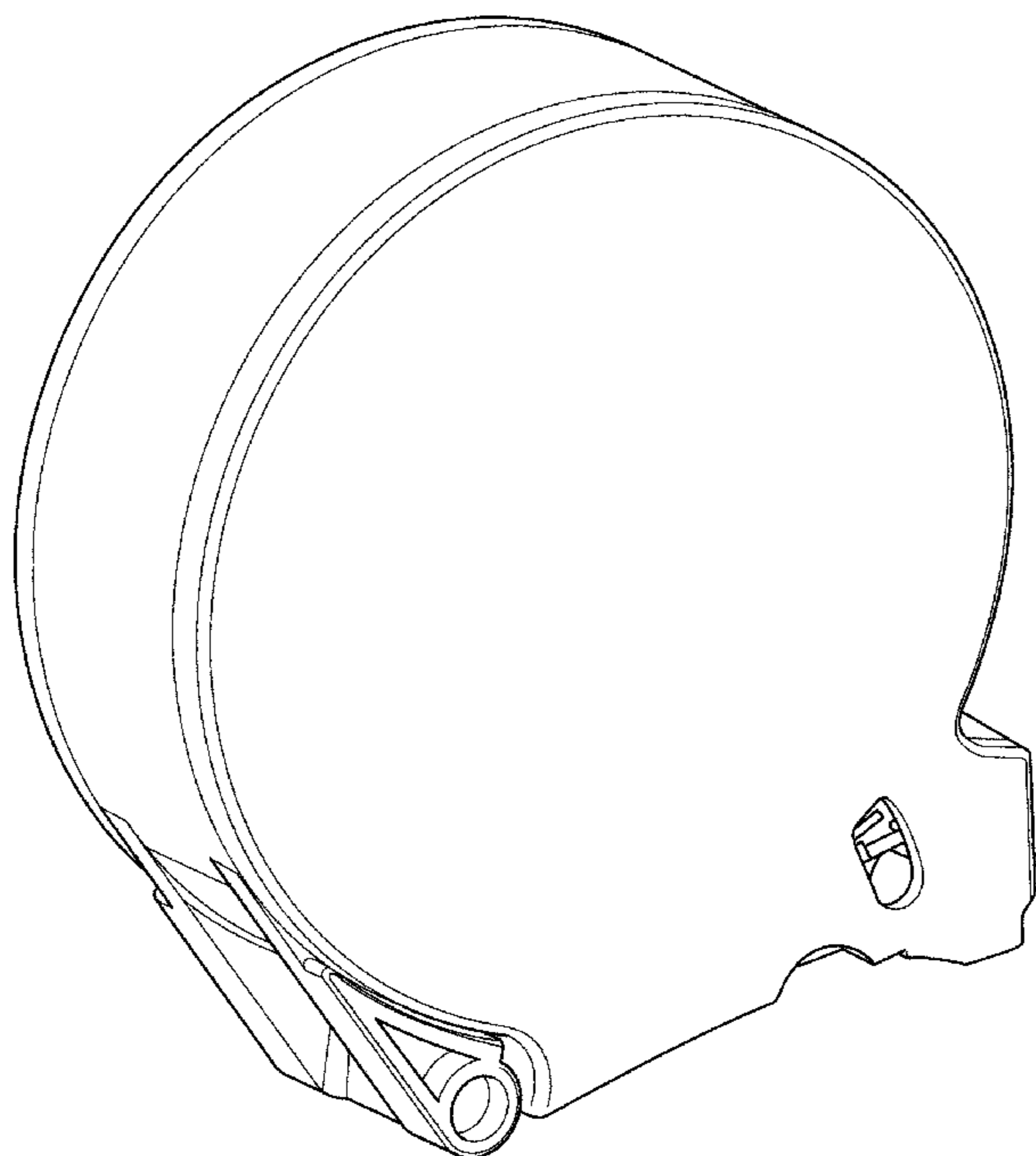
FIG. 7 is a front elevational view thereof;

FIG. 8 is a rear elevational view thereof;

FIG. 9 is a bottom plan view thereof; and,

FIG. 10 is a top plan view thereof.

1 Claim, 10 Drawing Sheets



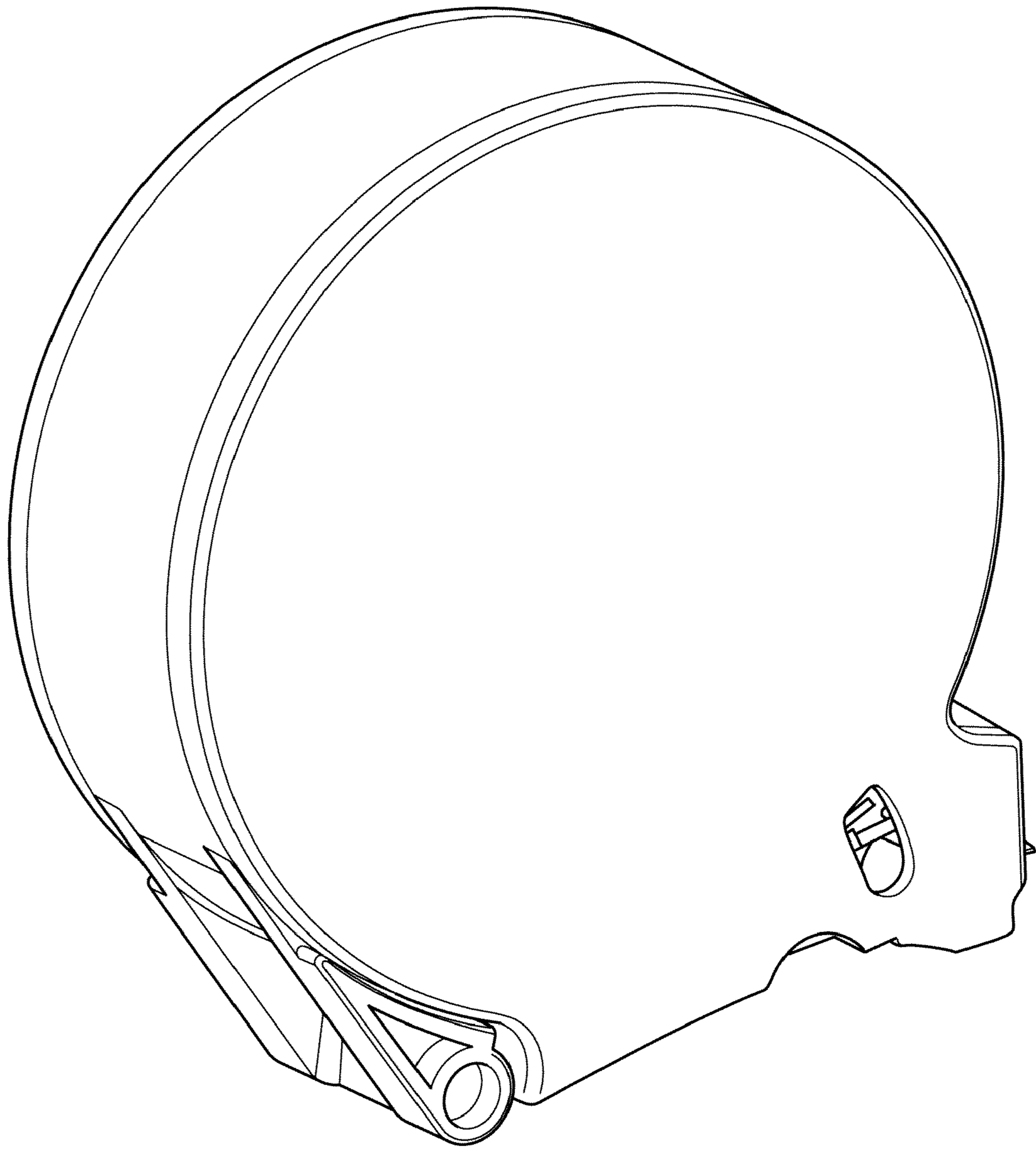


FIG. 1

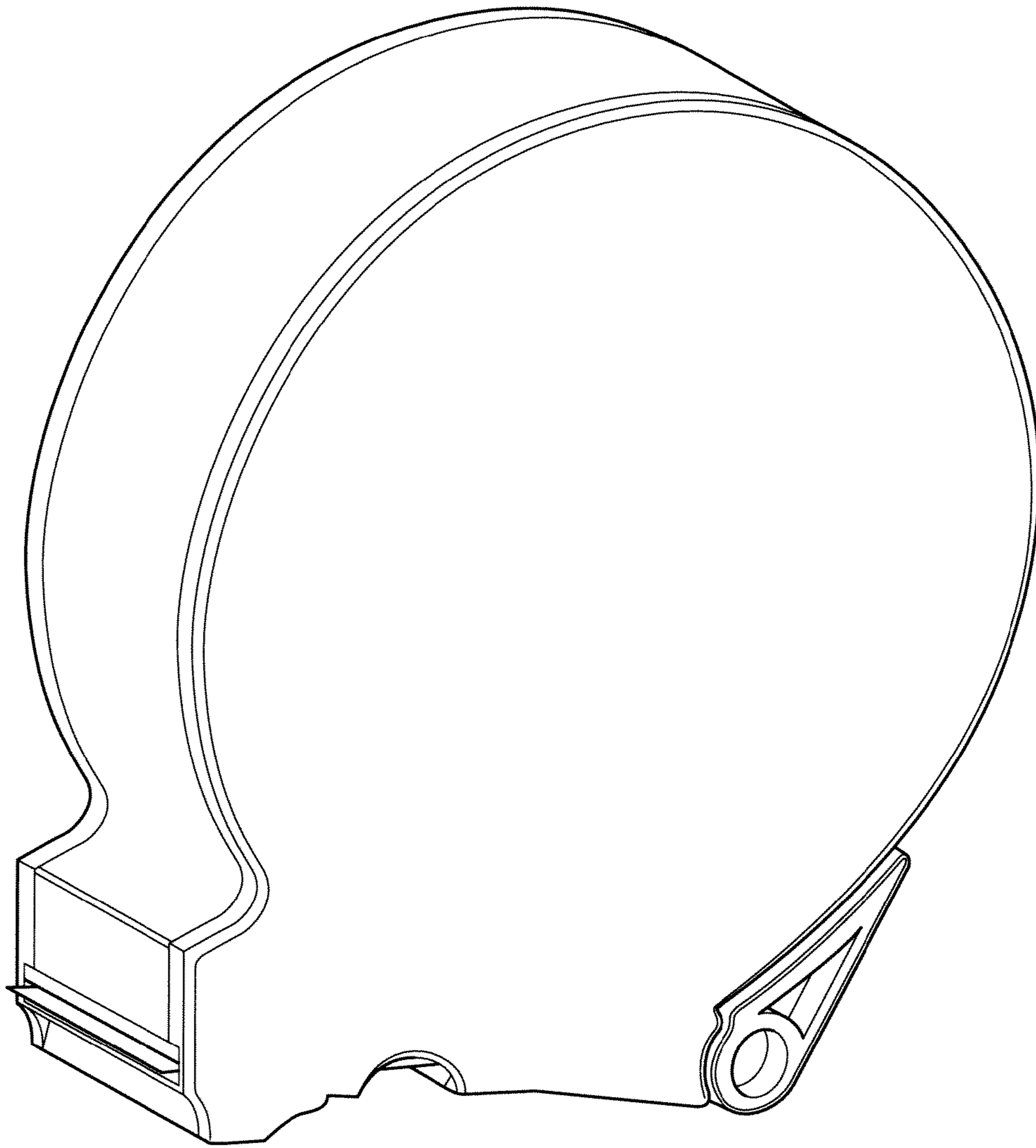


FIG. 2

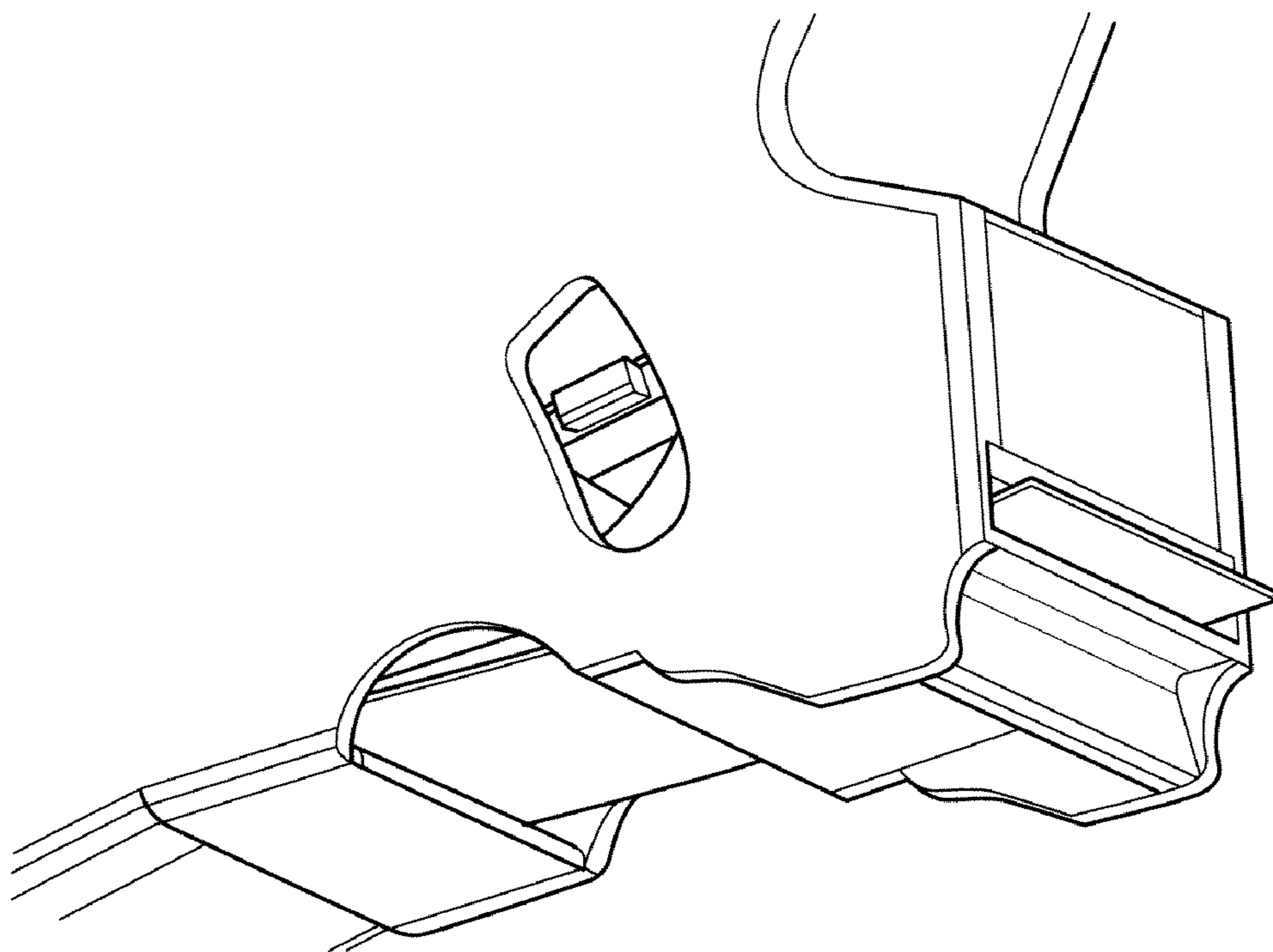


FIG. 3

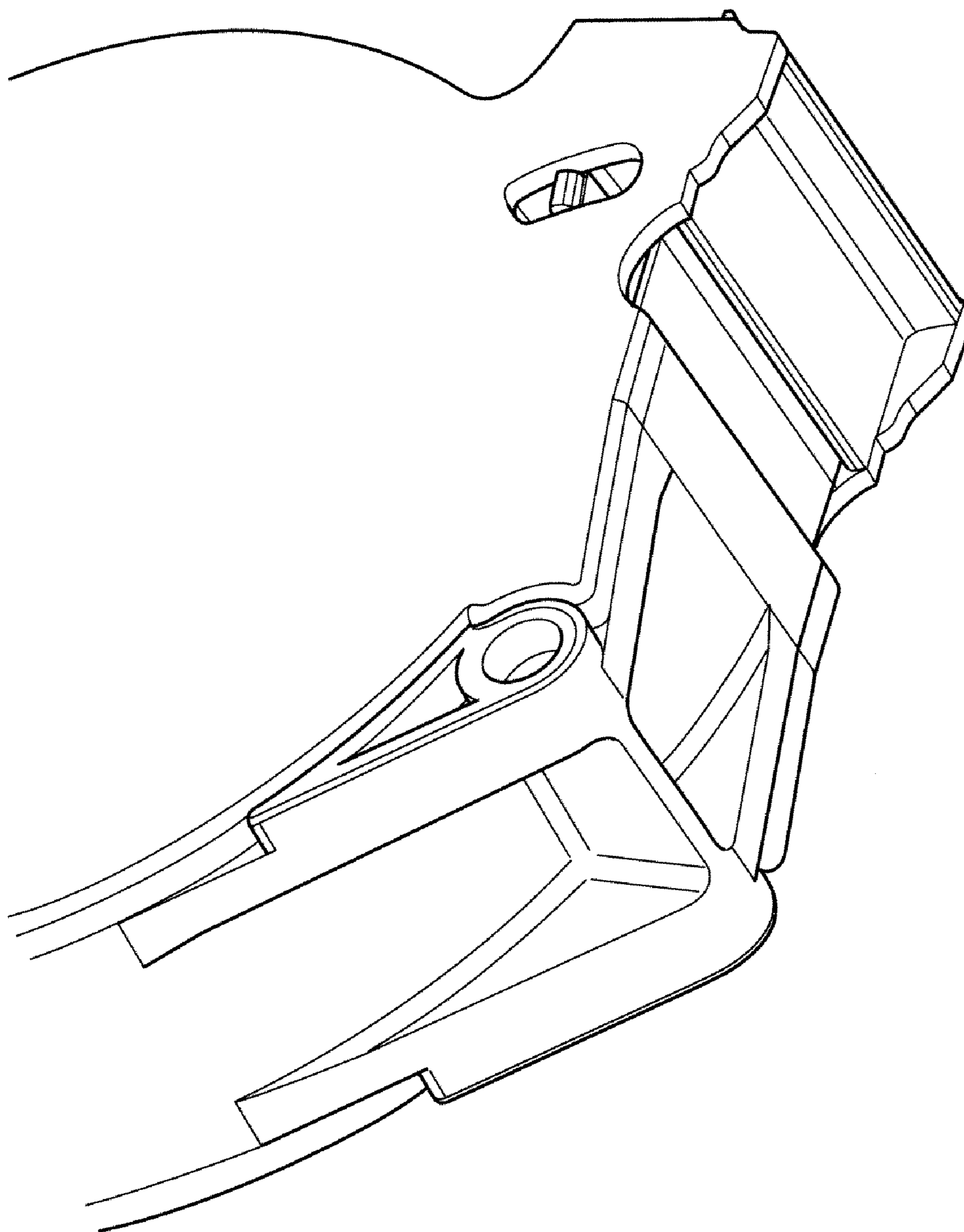


FIG. 4

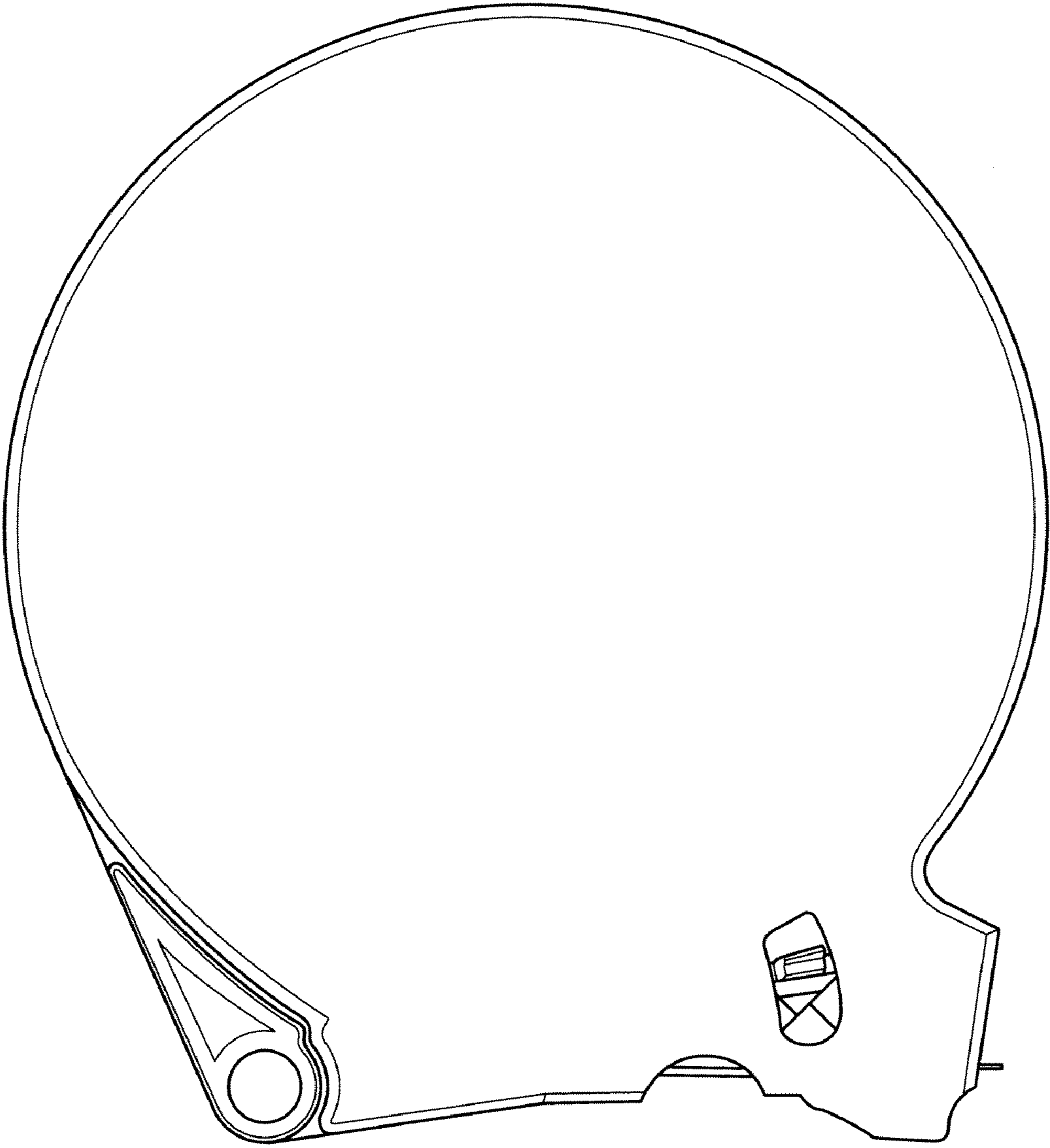


FIG. 5

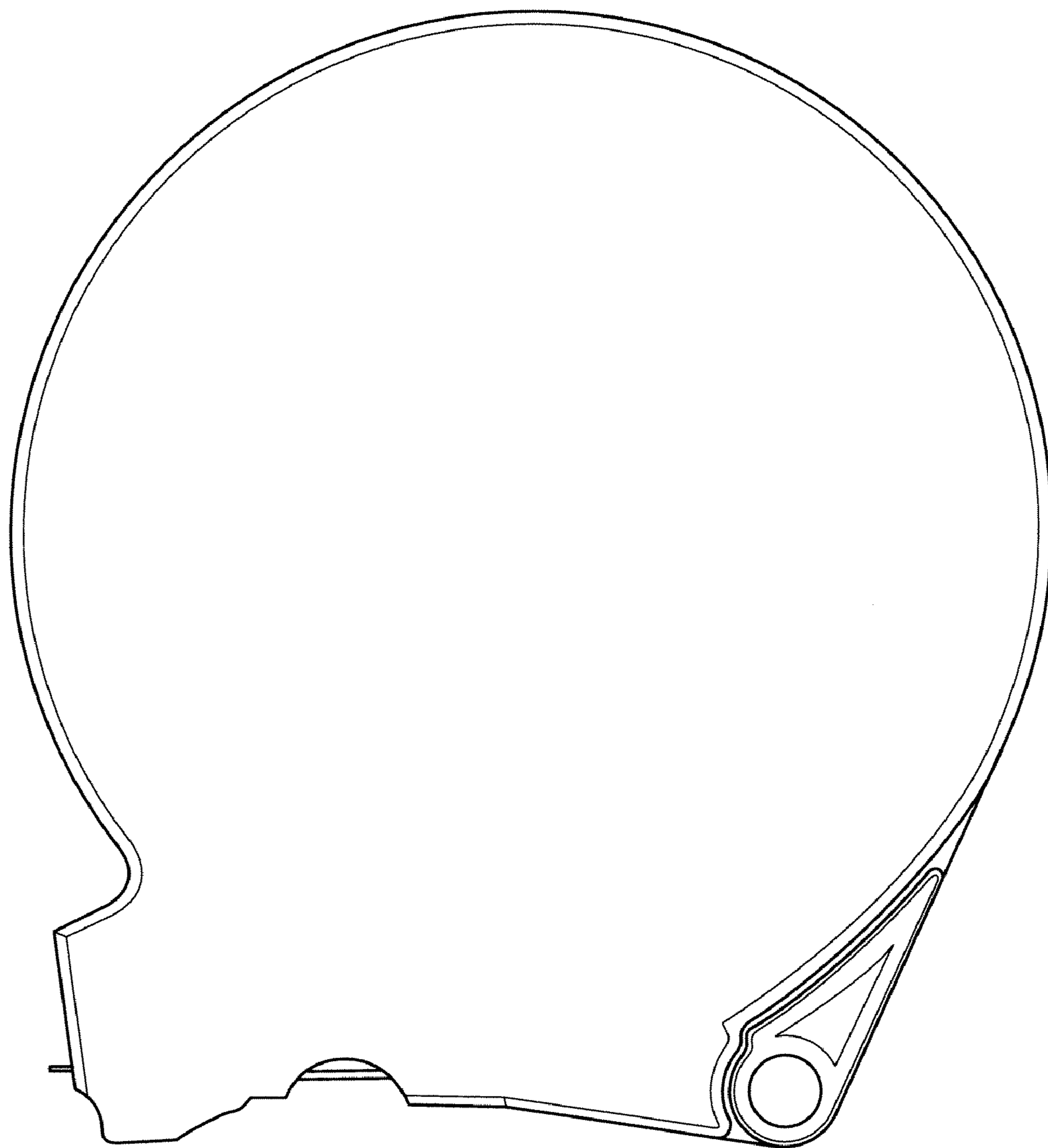


FIG. 6

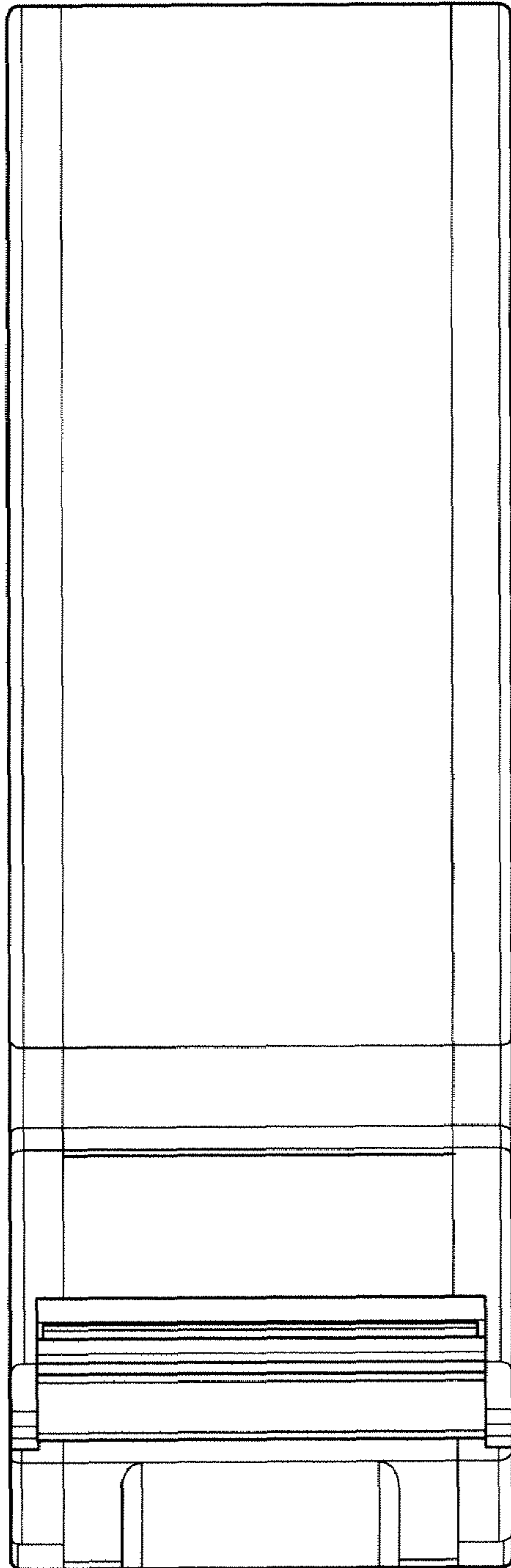


FIG. 7

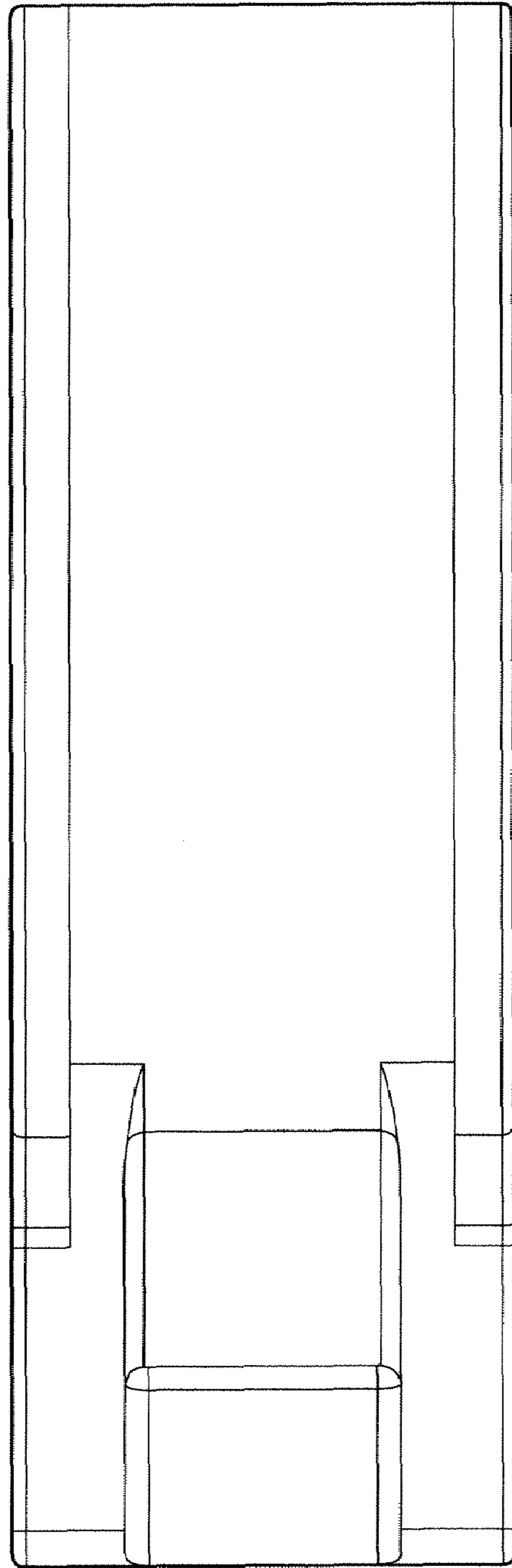


FIG. 8

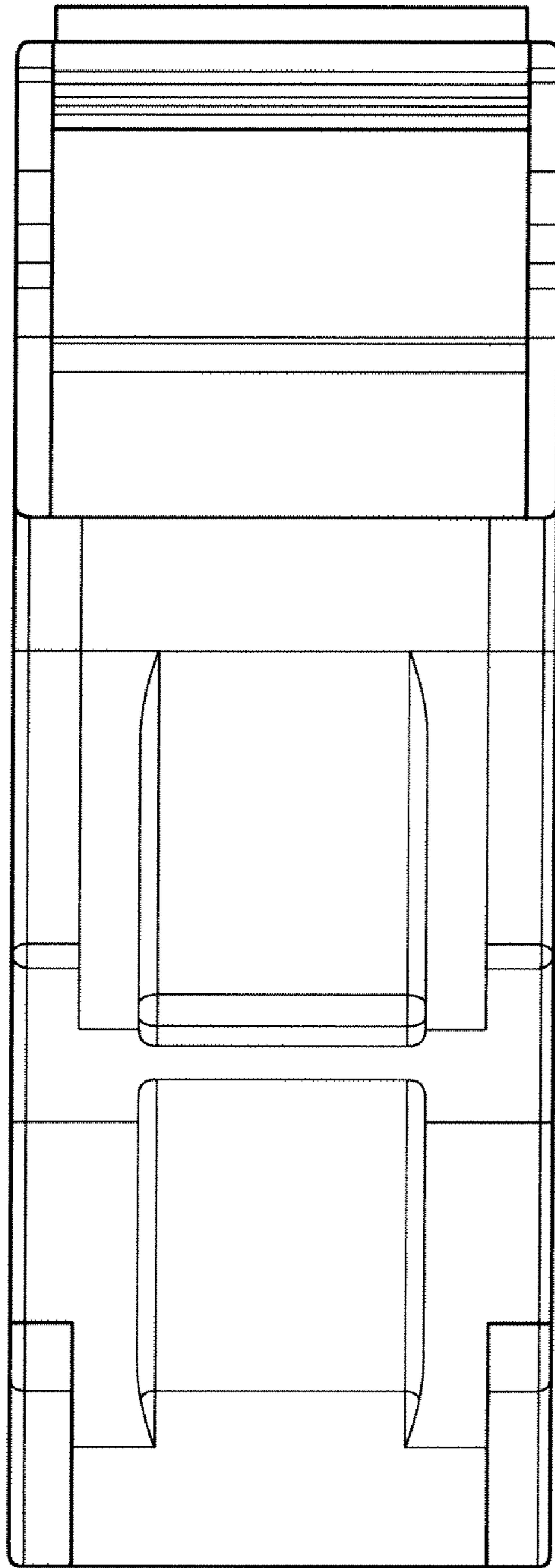


FIG. 9

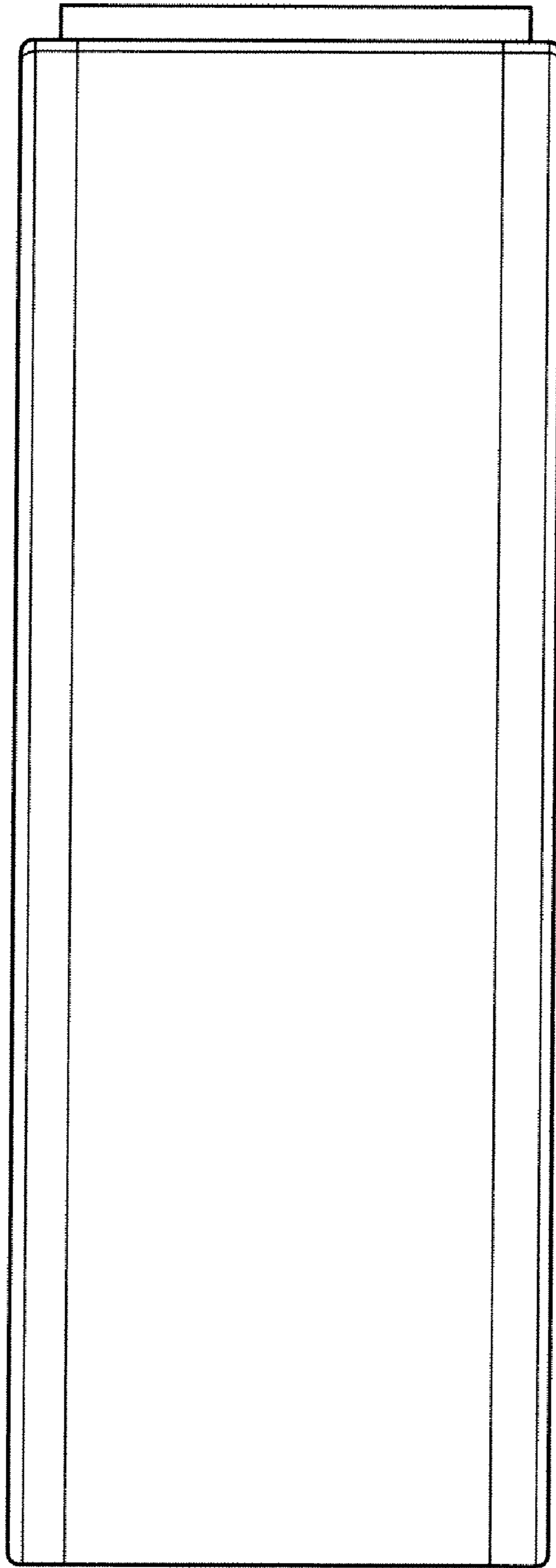


FIG. 10