



US00D579940S

(12) **United States Design Patent**
Pepin et al.

(10) **Patent No.:** **US D579,940 S**
(45) **Date of Patent:** **** Nov. 4, 2008**

(54) **CARTRIDGE**

(75) Inventors: **Gilles Pepin**, St-Charles de Drummondville (CA); **Alain Paré**, Kirkland (CA); **Dominic R. Labbé**, McMasterville (CA); **Gerard M. Chevalier**, Edmonton (CA); **Joseph A. Juratovac**, Columbus, OH (US); **Jeffrey R. Held**, Columbus, OH (US); **Jeffrey Michael Witt**, Baltimore, MD (US); **Gregg Charles Vanderheiden**, Madison, WI (US); **David Paul Kelso**, Madison, WI (US); **Frank Kurt Cylke**, Great Falls, VA (US); **Jean Marie Moss**, Glendale, MD (US); **Michael Gilbert Katzmann**, Washington, DC (US); **Robert Edward Fistick**, Charlotte Hall, MD (US); **Michael Montfort Moodie**, Bethesda, MD (US); **Alice Kathryn Baker**, Washington, WA (US); **Donald Lee Pieper**, Arroyo Grande, CA (US)

(73) Assignees: **Technologies Humanware Canada, Inc.**, Québec (CA); **Wisconsin Alumni Research Foundation**, Madison, WI (US); **United States Library of Congress**, Washington, DC (US)

(**) Term: **14 Years**

(21) Appl. No.: **29/273,874**

(22) Filed: **Mar. 15, 2007**

(51) **LOC (8) Cl.** **14-02**

(52) **U.S. Cl.** **D14/435; D14/436**

(58) **Field of Classification Search** D14/435-438, D14/478-480, 400, 401, 496; 235/441, 443, 235/487, 492, 493, 495; 361/737, 679, 736, 361/728-730; 257/678-679, 693, E23.064; 439/946; 174/250, 260, 52.1-52.2; 710/300-303; 438/121; D21/332, 333, 324; 273/148 B; 463/1, 29, 30, 43-47

See application file for complete search history.

(56) **References Cited**

U.S. PATENT DOCUMENTS

D252,753 S *	8/1979	Thompson et al.	D14/438
D298,326 S *	11/1988	Kimura	D14/436
D310,849 S *	9/1990	Davis	D20/22
D316,089 S *	4/1991	Nakauma	D14/435
D320,225 S *	9/1991	Ido et al.	D18/12
D330,022 S *	10/1992	Chen	D14/436

(Continued)

Primary Examiner—Melanie Tung
Assistant Examiner—Susan Moon Lee
(74) *Attorney, Agent, or Firm*—Myers Bigel Sibley & Sajovec, PA

(57) **CLAIM**

The ornamental design for a cartridge, as shown and described.

DESCRIPTION

FIG. 1 is a top perspective view of a cartridge showing our new design;

FIG. 2 is a bottom perspective view thereof;

FIG. 3 is a top plan view thereof;

FIG. 4 is a bottom plan view thereof;

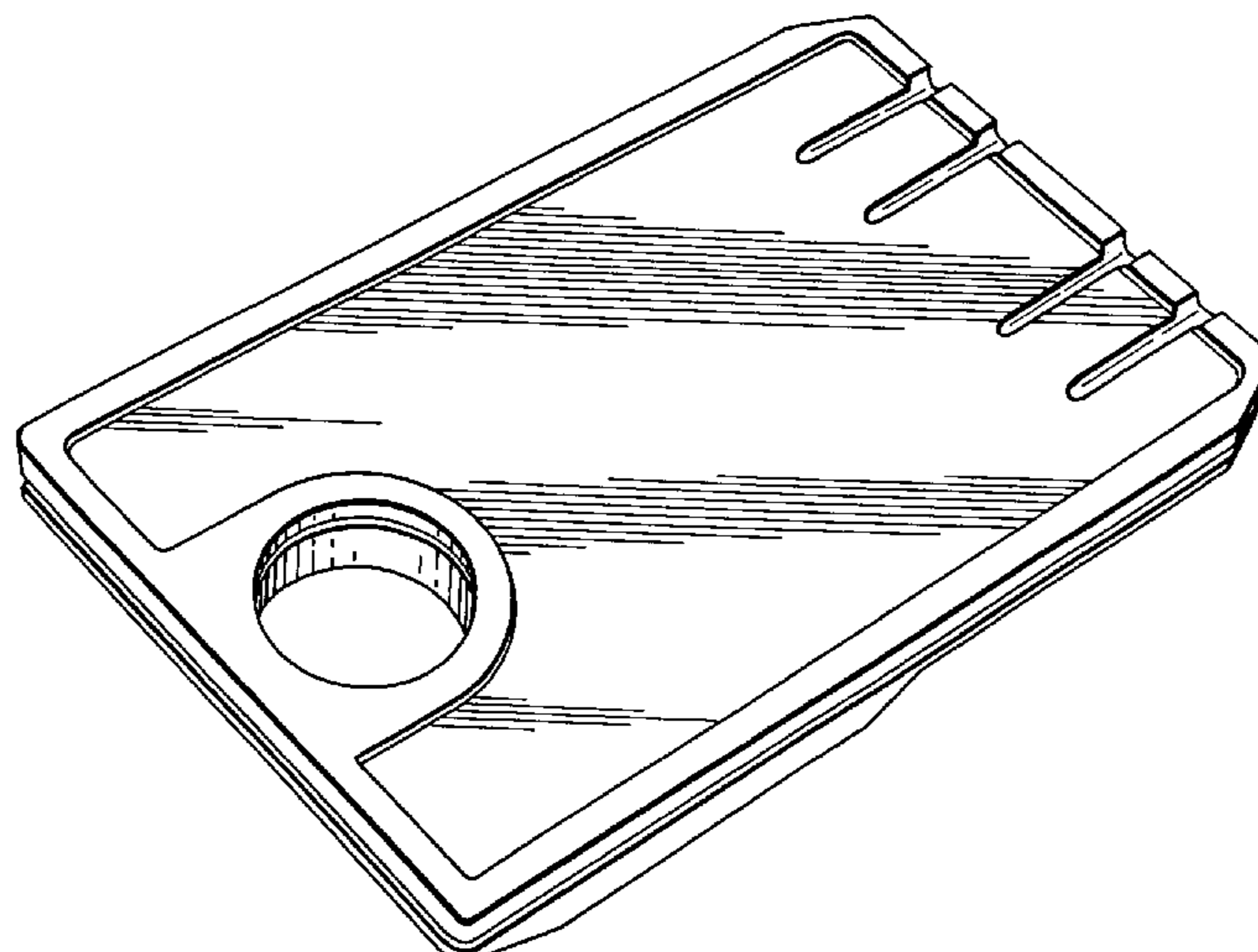
FIG. 5 is a right side view thereof;

FIG. 6 is a left side view thereof;

FIG. 7 is a front view thereof; and,

FIG. 8 is a rear view thereof.

1 Claim, 6 Drawing Sheets



US D579,940 S

Page 2

U.S. PATENT DOCUMENTS

D337,568 S *	7/1993	Ellis	D14/435	D452,246 S *	12/2001	Wallace et al.	D14/436
D345,686 S *	4/1994	Boehner	D8/347	D476,693 S *	7/2003	Yuran	D20/22
D399,839 S *	10/1998	Paloheimo et al.	D14/483	D488,477 S *	4/2004	Yu et al.	D14/436
D445,797 S *	7/2001	Lee et al.	D14/436	D489,756 S *	5/2004	Matsumoto et al.	D18/56
D446,525 S *	8/2001	Okamoto et al.	D14/436	D492,687 S *	7/2004	Yu et al.	D14/436
D447,481 S *	9/2001	Wallace et al.	D14/436	D493,798 S *	8/2004	Yu et al.	D14/436
D450,053 S *	11/2001	Bush et al.	D14/435	D510,384 S *	10/2005	Allen et al.	D19/10
D452,244 S *	12/2001	Wallace et al.	D14/436	D522,520 S *	6/2006	Hsu	D14/436
D452,245 S *	12/2001	Wallace et al.	D14/436				

* cited by examiner

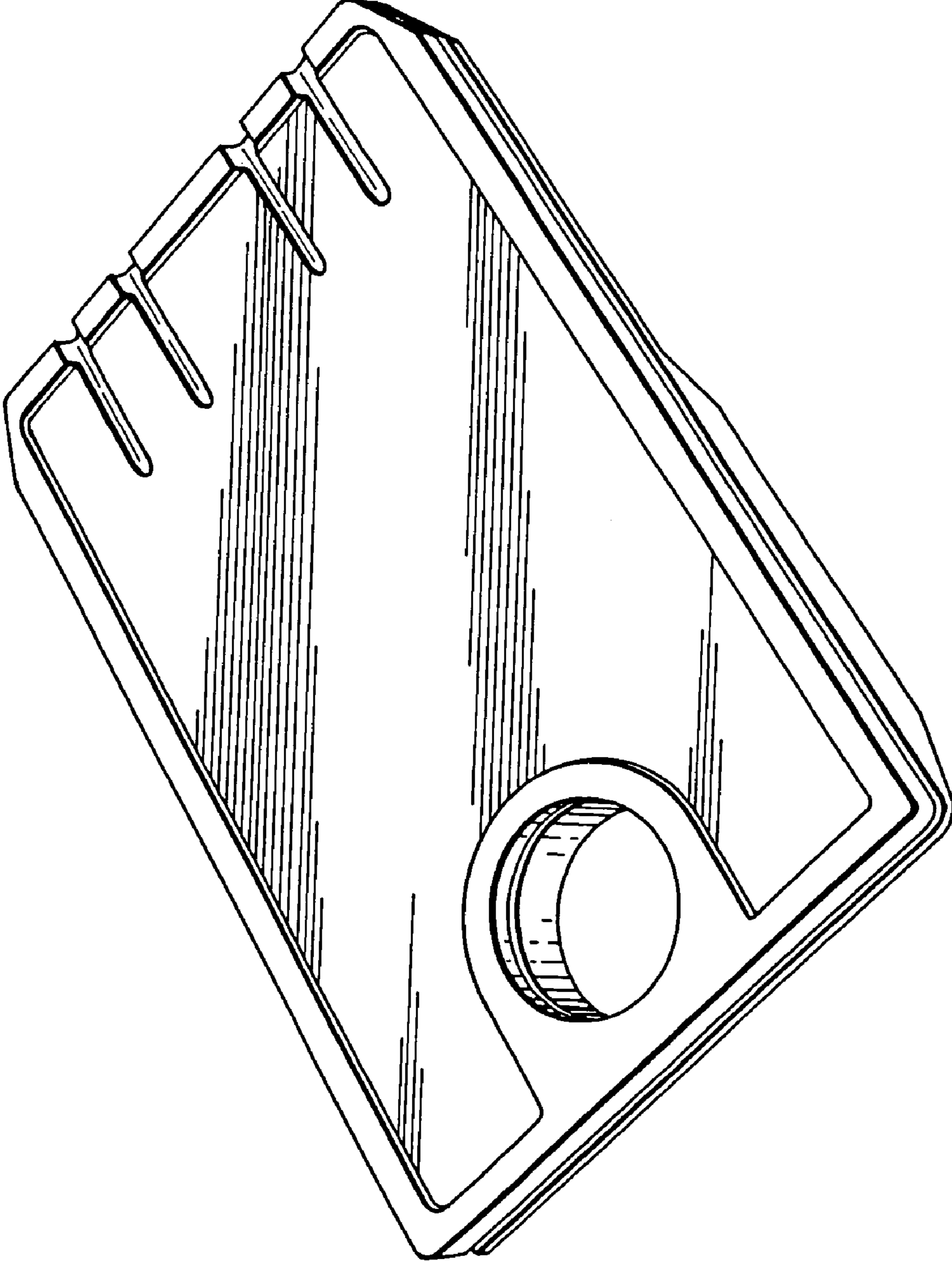


FIG. 1

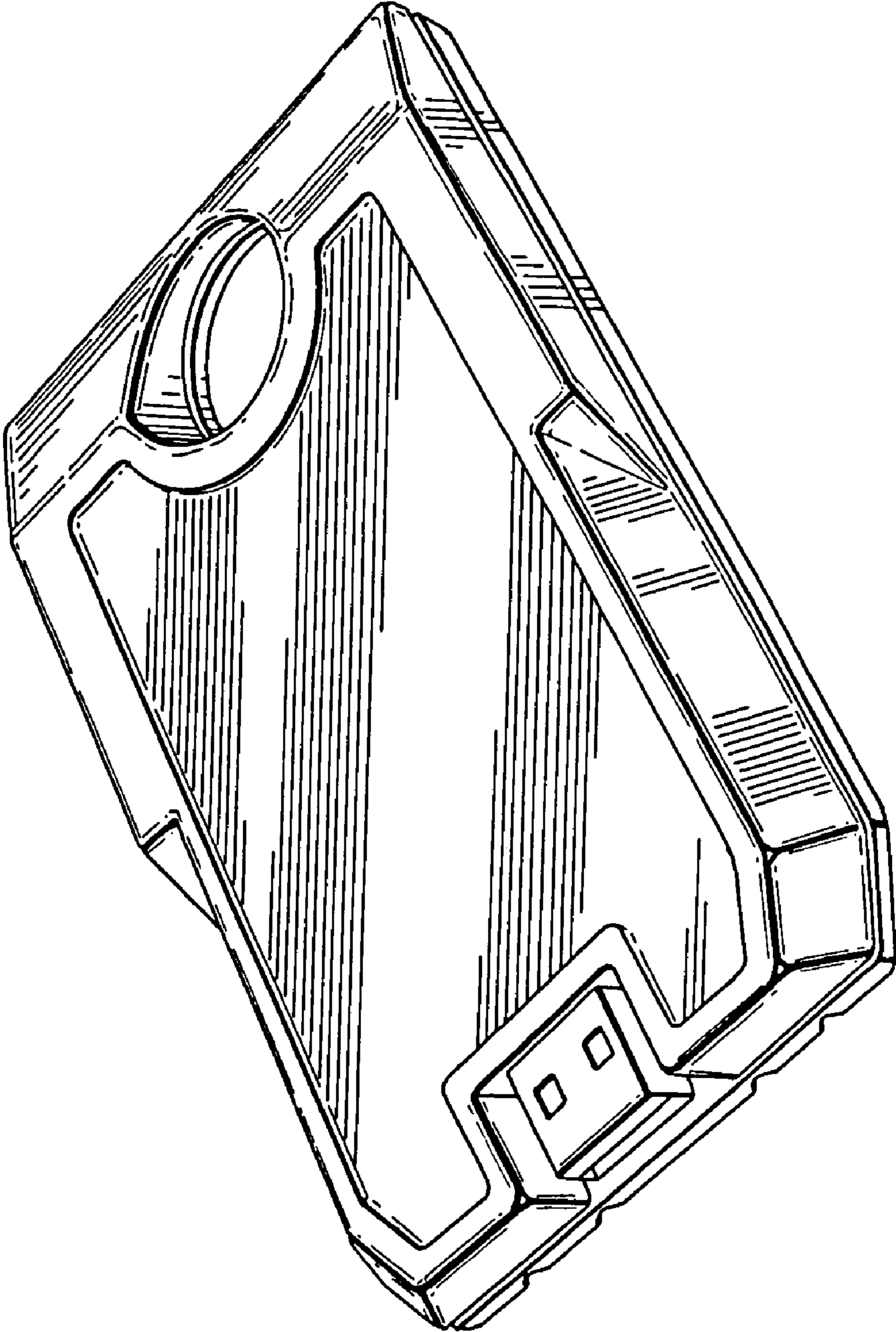


FIG. 2

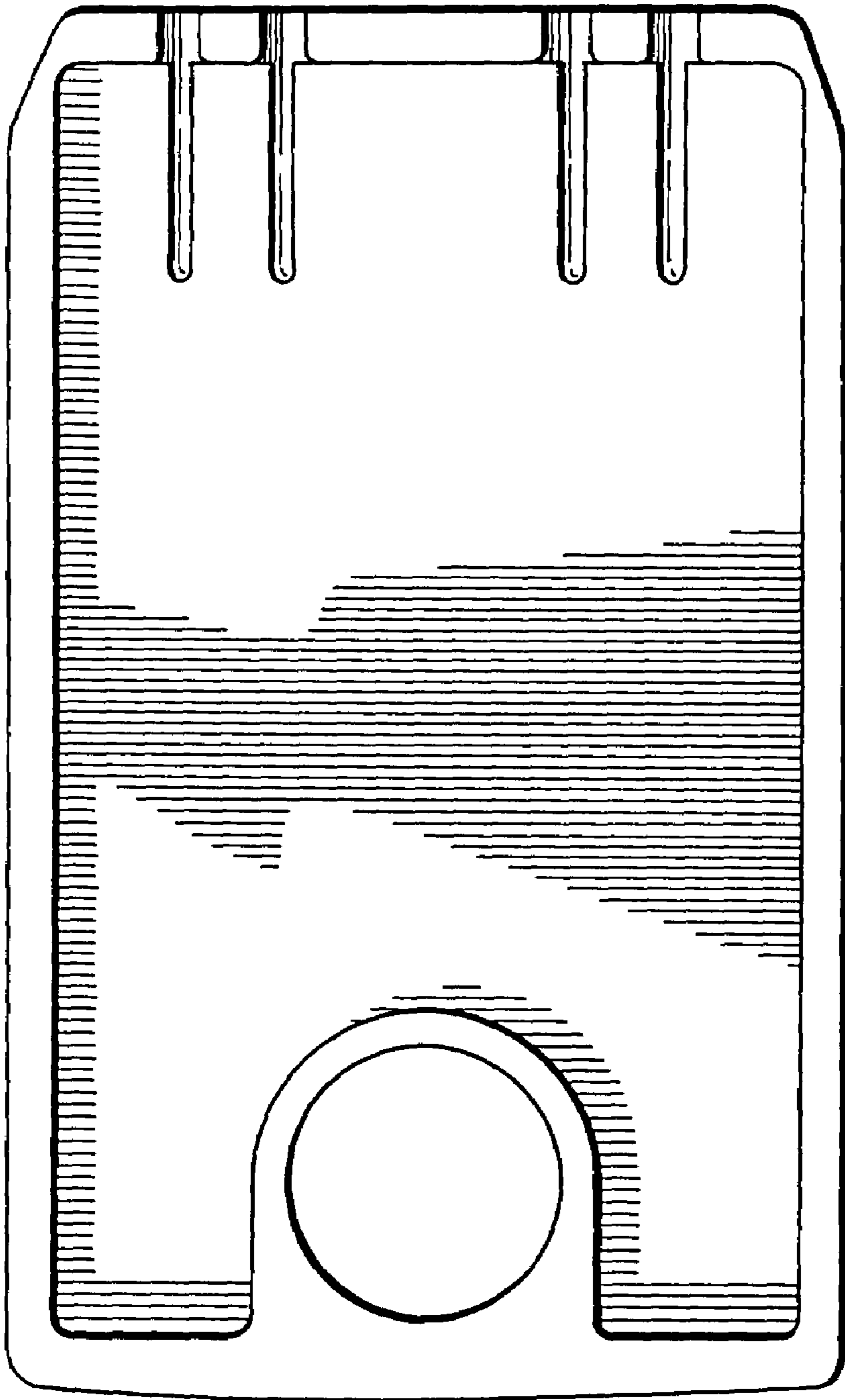


FIG. 3

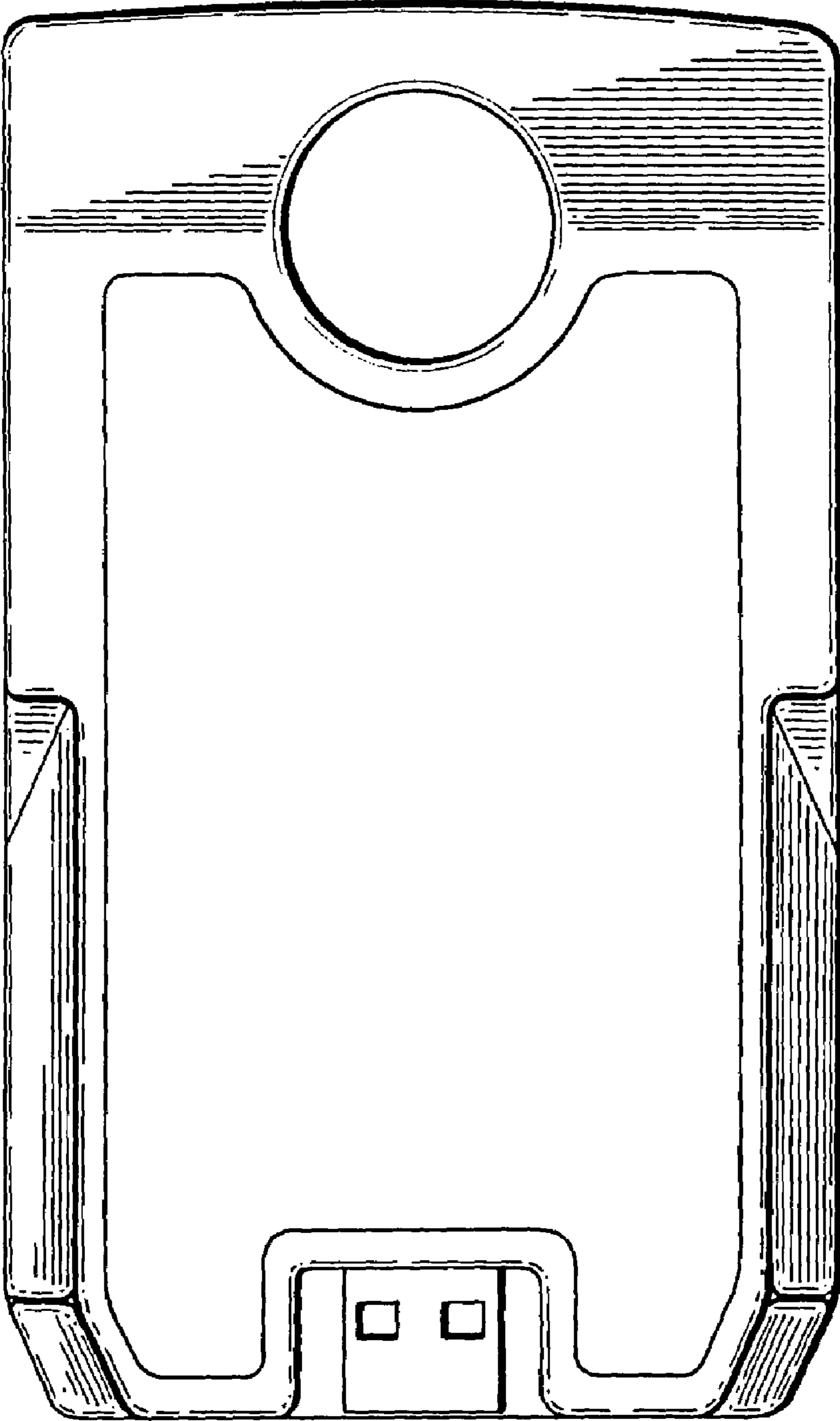


FIG. 4

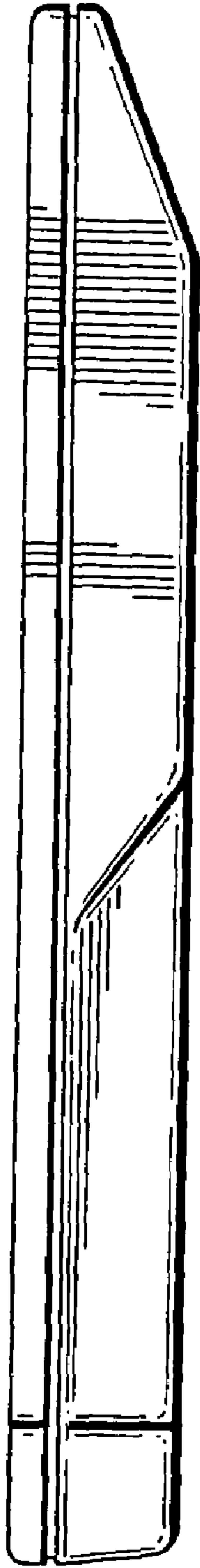


FIG. 5

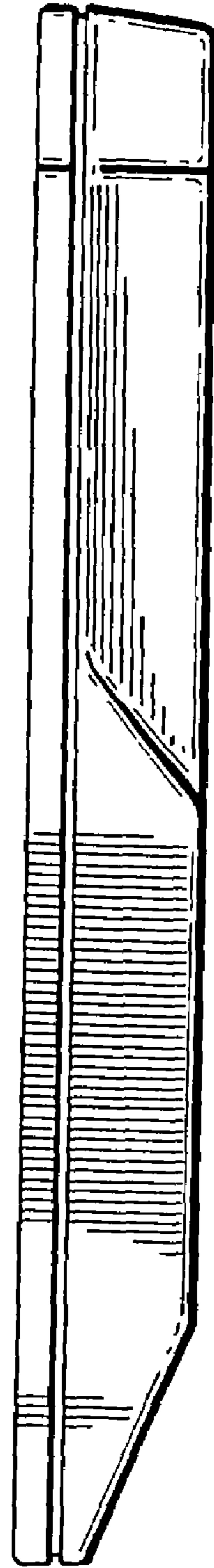


FIG. 6

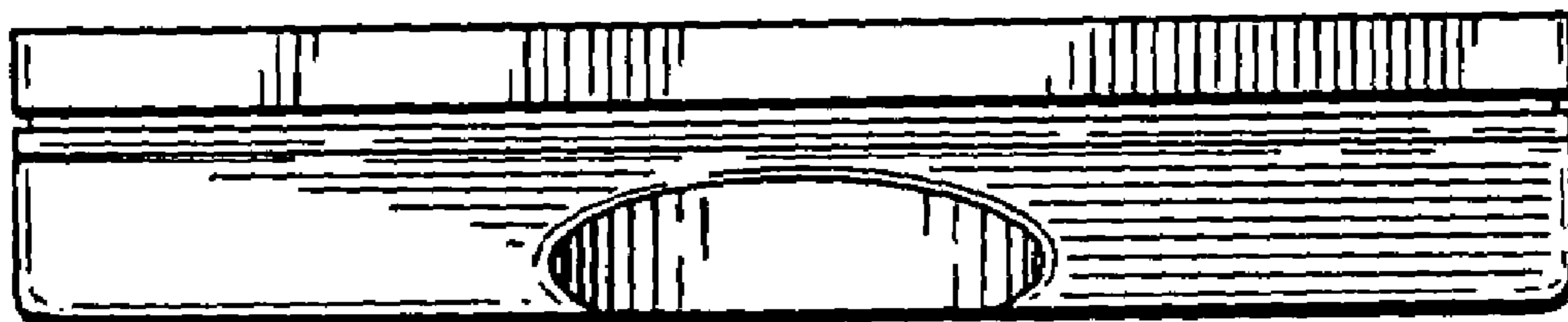


FIG. 7

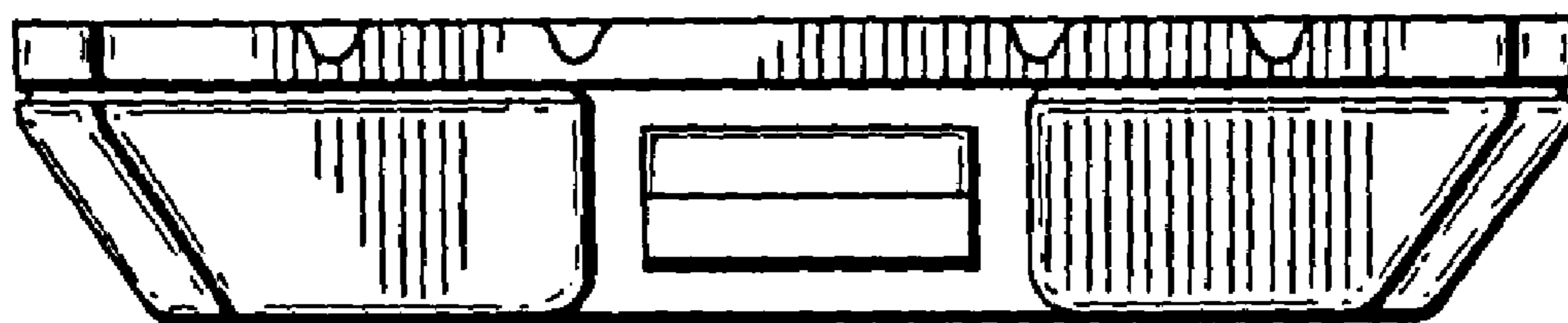


FIG. 8