



US00D579935S

(12) **United States Design Patent**  
**Okamoto et al.**

(10) **Patent No.:** **US D579,935 S**

(45) **Date of Patent:** **\*\* Nov. 4, 2008**

(54) **WIRELESS ADAPTER**

(75) Inventors: **Takayuki Okamoto**, Tokyo (JP);  
**Takahisa Yamada**, Tokyo (JP); **Kazuya Fukuda**, Tokyo (JP)

(73) Assignee: **Nec Displays Solutions, Ltd.**, Tokyo (JP)

(\*\*) Term: **14 Years**

(21) Appl. No.: **29/298,494**

(22) Filed: **Dec. 6, 2007**

(30) **Foreign Application Priority Data**

Jun. 8, 2007 (JP) ..... 2007-015362

(51) **LOC (8) Cl.** ..... **14-02**

(52) **U.S. Cl.** ..... **D14/358**

(58) **Field of Classification Search** ..... D14/411,  
D14/384-385, 518, 348, 432-436, 299, 167,  
D14/402, 242, 356, 358, 496, 156, 240; 455/344;  
710/300-301; 361/684-686; 439/518, 139-141,  
439/131, 607, 133; 365/63

See application file for complete search history.

(56) **References Cited**

**U.S. PATENT DOCUMENTS**

D268,931 S \* 5/1983 Ellis et al. .... D14/433  
D305,717 S \* 1/1990 Soren et al. .... D14/240  
D496,364 S \* 9/2004 Saito ..... D14/385

D500,302 S \* 12/2004 Deguchi ..... D14/435  
D524,817 S \* 7/2006 Conley et al. .... D14/435  
7,088,575 B2 \* 8/2006 Chiu et al. .... 361/684  
D530,340 S \* 10/2006 Andre et al. .... D14/496  
D531,190 S \* 10/2006 Lee et al. .... D14/496  
7,214,075 B2 \* 5/2007 He et al. .... 439/136  
D544,480 S \* 6/2007 Murakami ..... D14/496  
7,275,941 B1 \* 10/2007 Bushby ..... 439/133  
D555,158 S \* 11/2007 Lo ..... D14/356  
2006/0073717 A1 \* 4/2006 Ng et al. .... 439/131

\* cited by examiner

*Primary Examiner*—Robin V. Webster

*Assistant Examiner*—Karen E Kearney

(74) *Attorney, Agent, or Firm*—Sughrue Mion, PLLC

(57) **CLAIM**

The ornamental design for a wireless adapter, as shown and described.

**DESCRIPTION**

FIG. 1 is a front, left side, bottom perspective view of a wireless adapter showing our new design;

FIG. 2 is a front elevational view thereof;

FIG. 3 is a rear elevational view thereof;

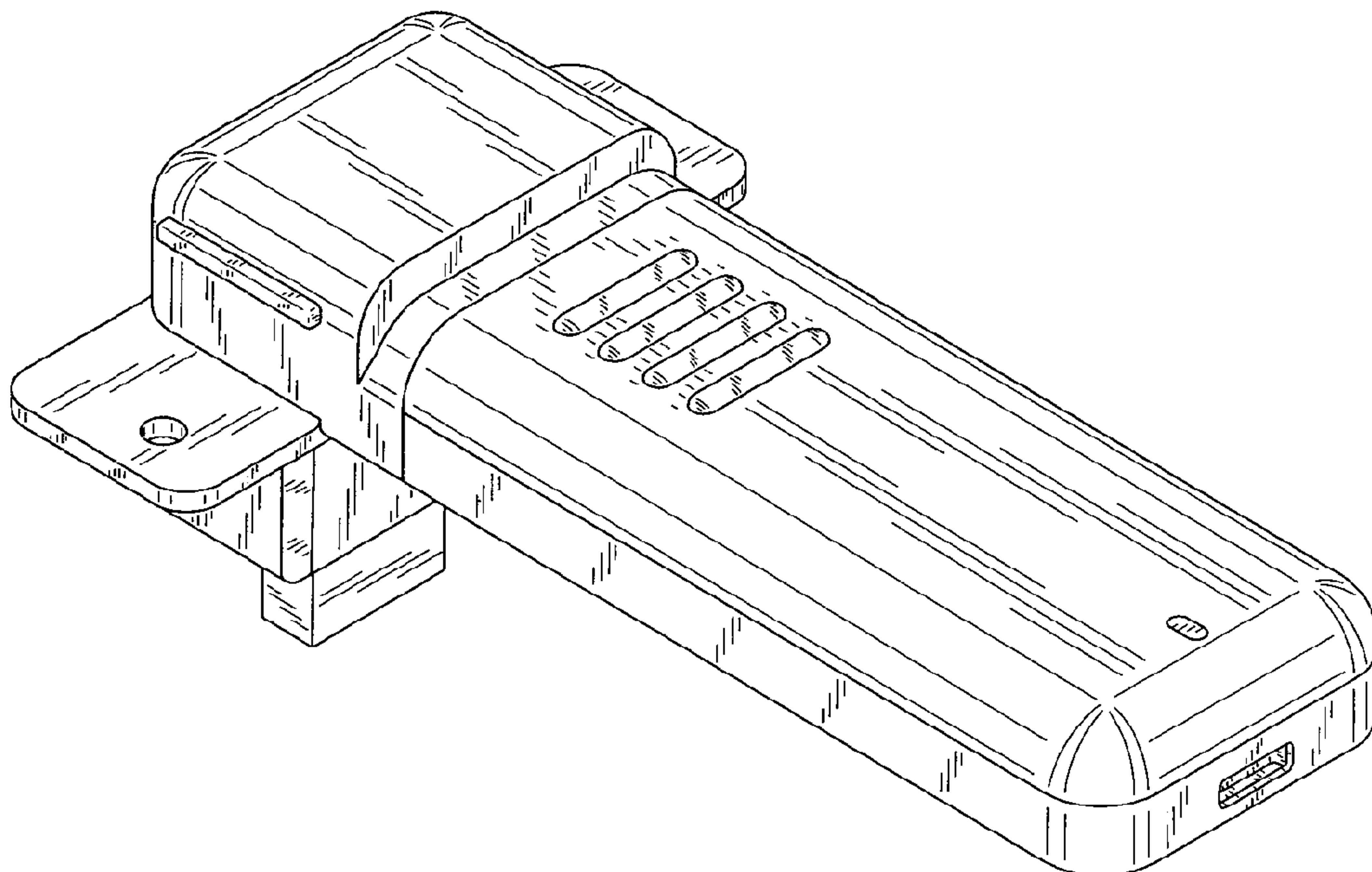
FIG. 4 is a left side view thereof;

FIG. 5 is a right side view thereof;

FIG. 6 is a top plan view thereof; and,

FIG. 7 is a bottom plan view thereof.

**1 Claim, 6 Drawing Sheets**



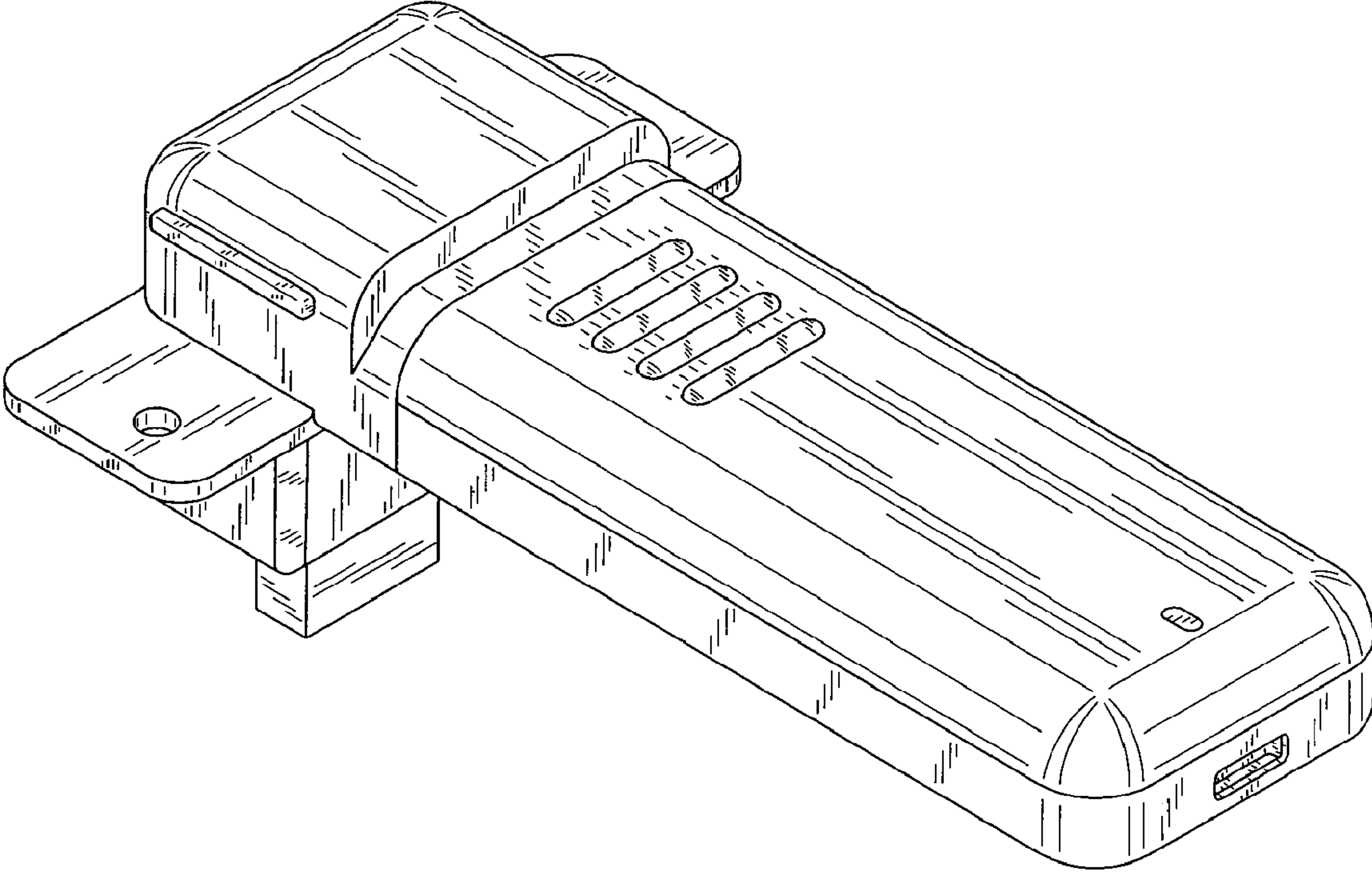


FIG. 1

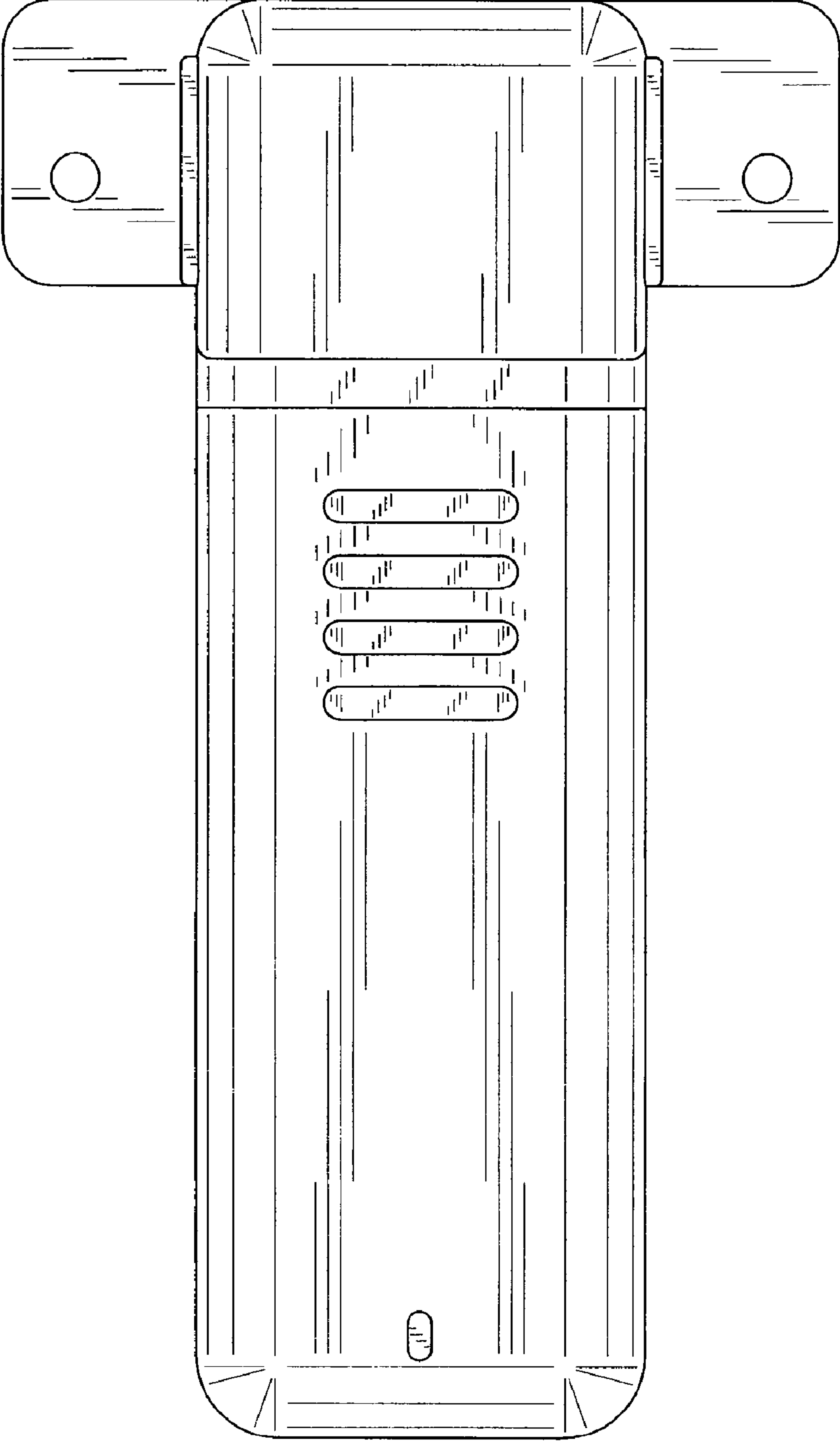


FIG. 2

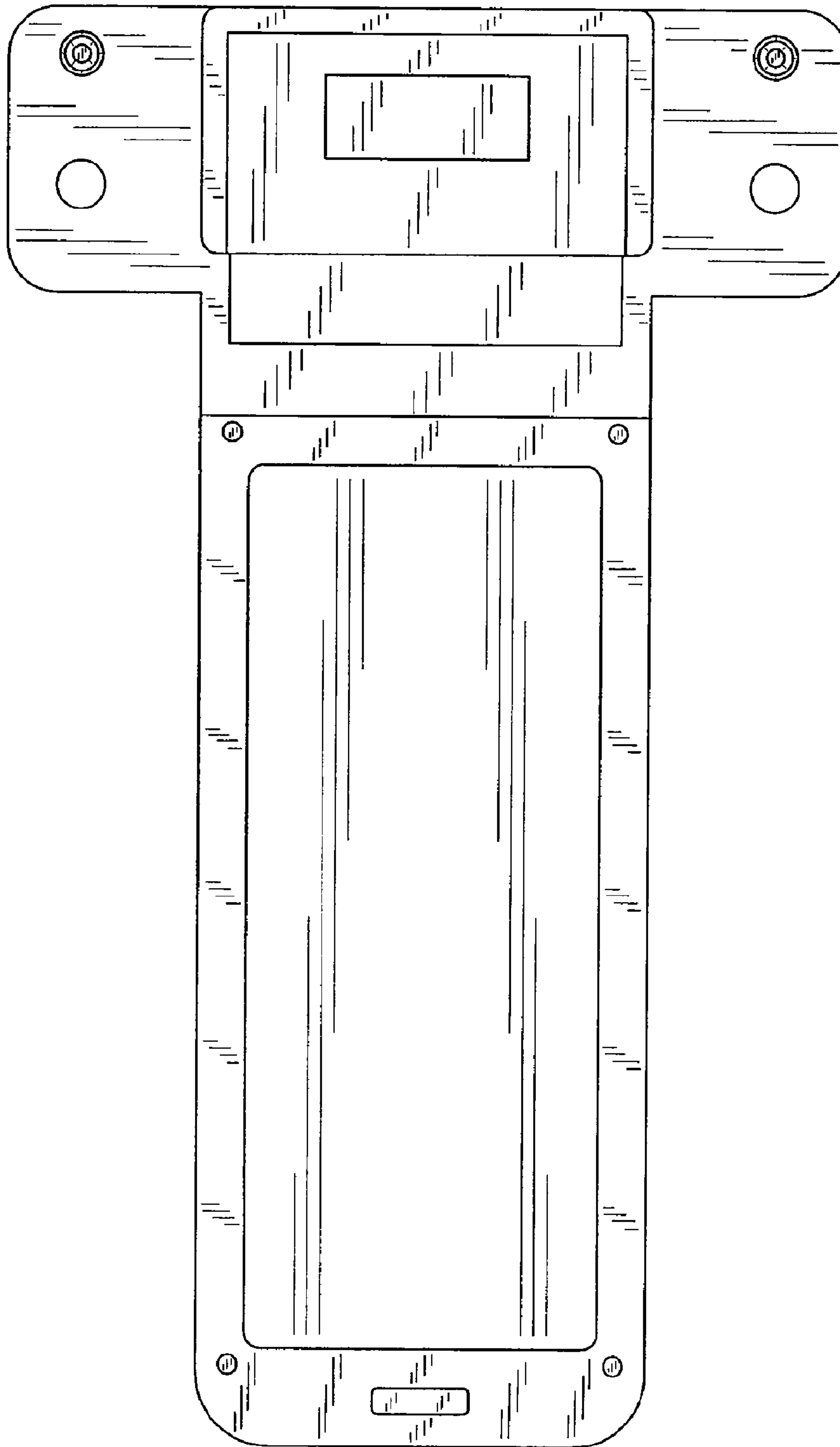


FIG. 3

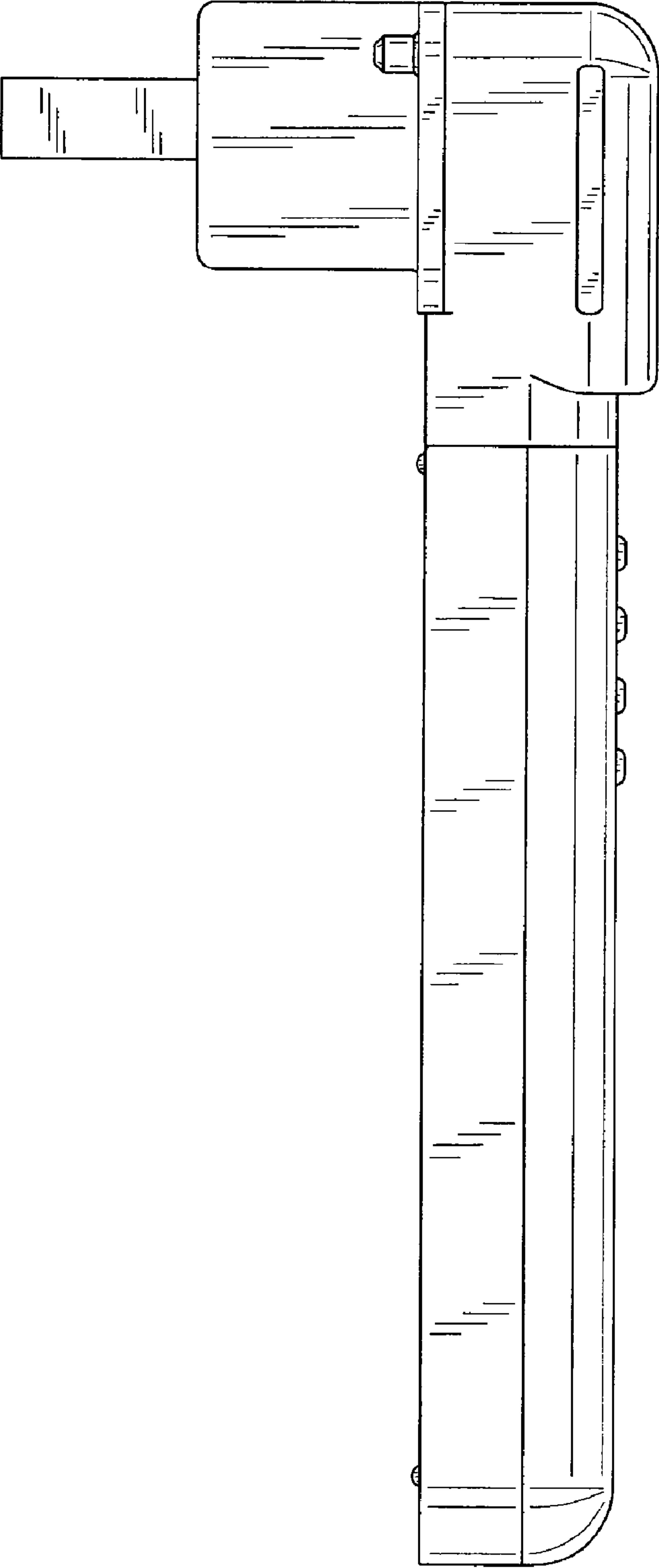


FIG. 4

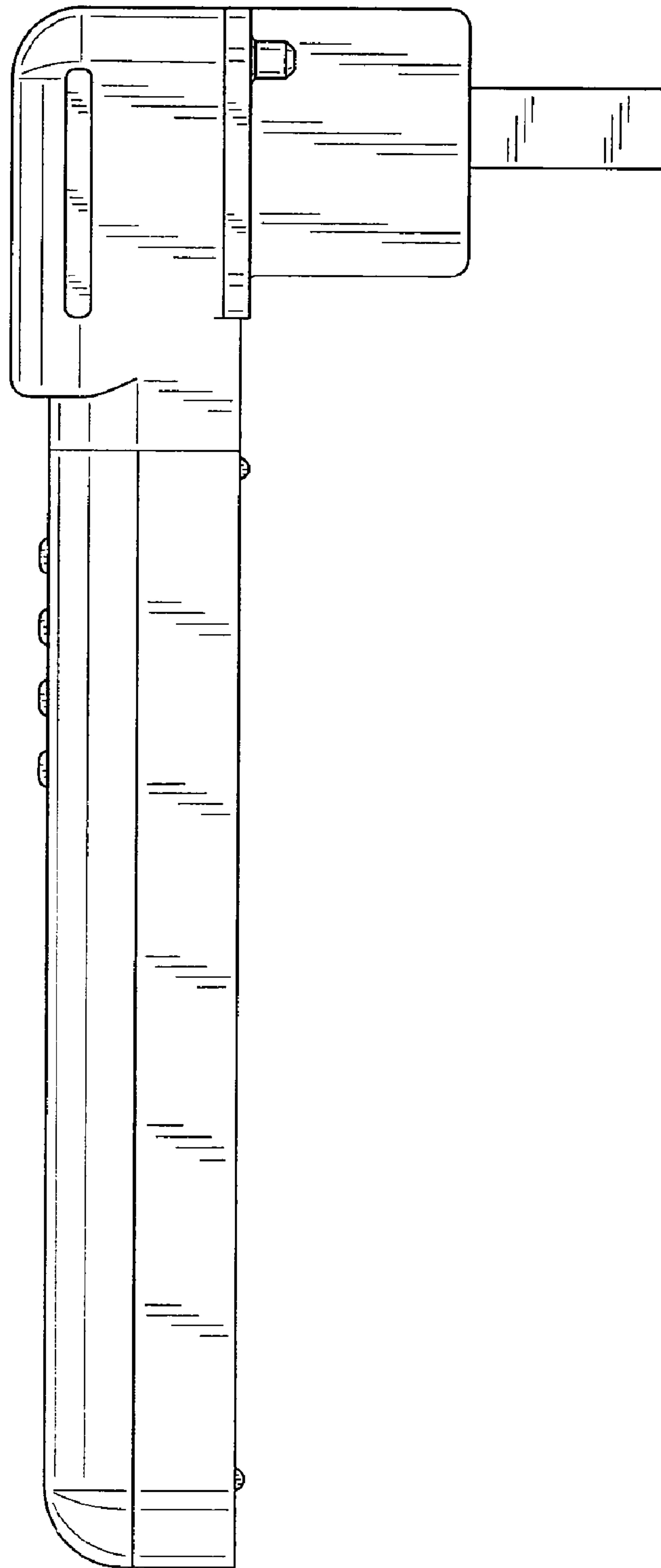


FIG. 5

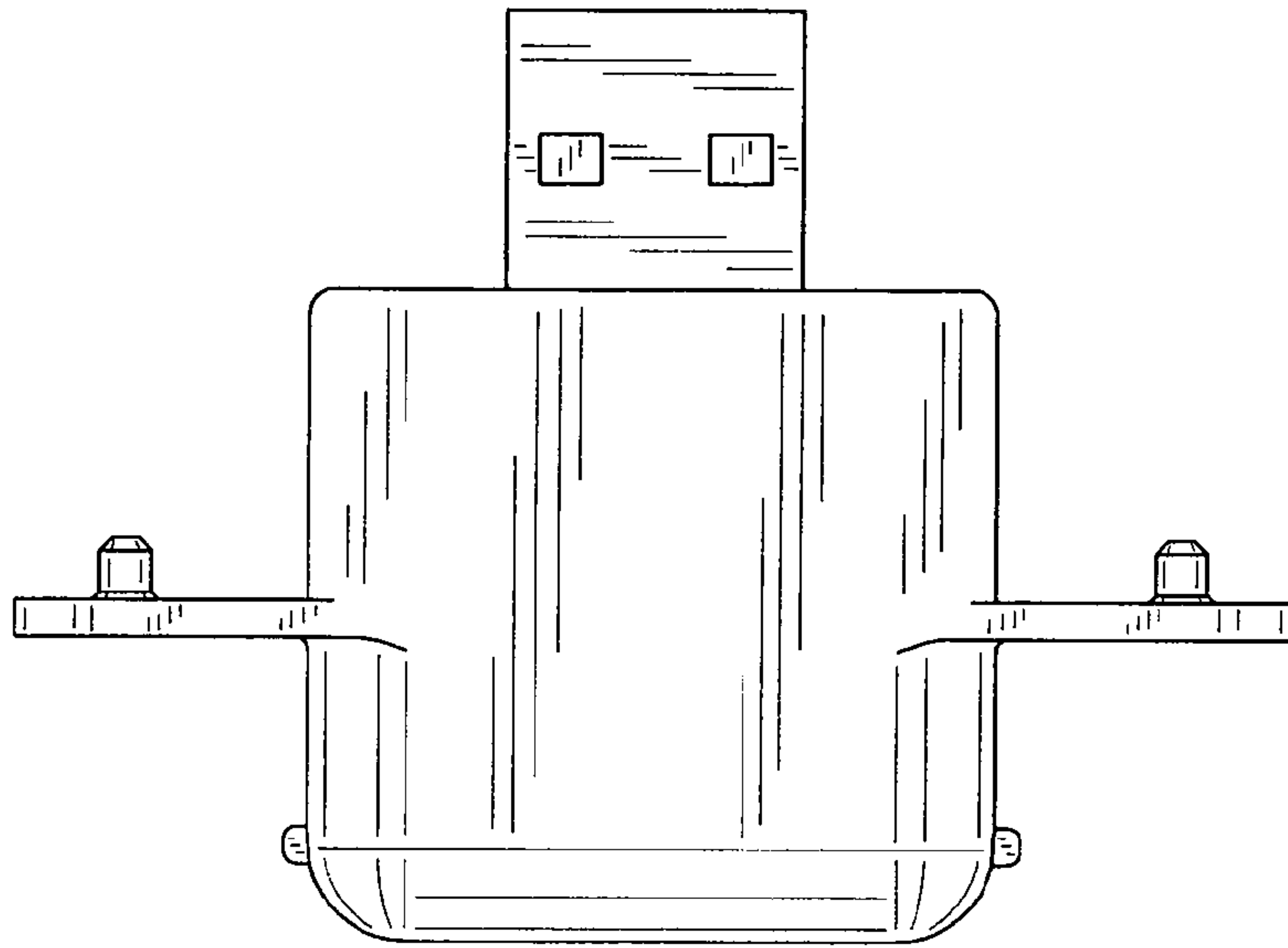


FIG. 6

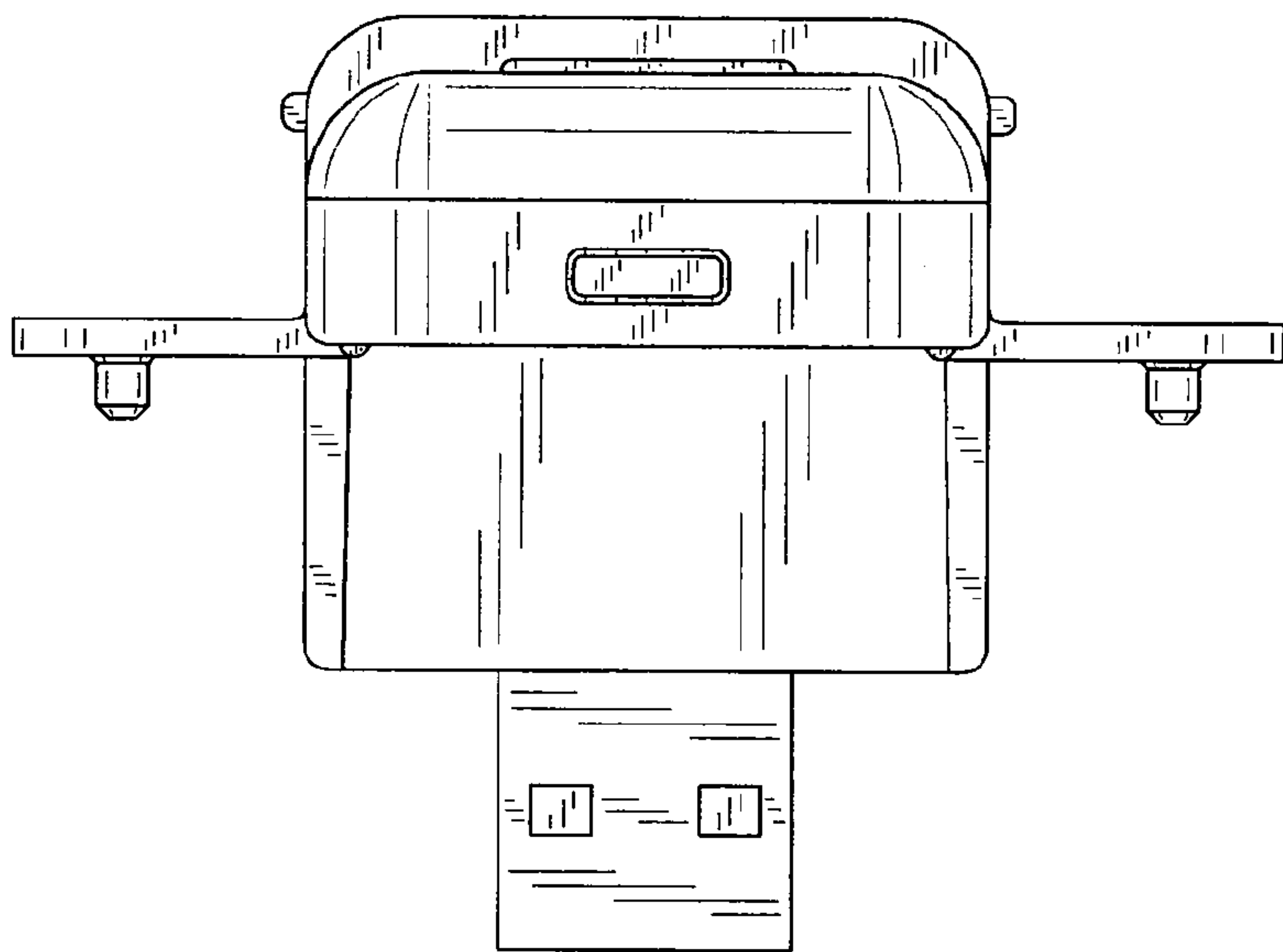


FIG. 7



UNITED STATES PATENT AND TRADEMARK OFFICE  
**CERTIFICATE OF CORRECTION**

PATENT NO. : Des. 579,935 S  
APPLICATION NO. : 29/298494  
DATED : November 4, 2008  
INVENTOR(S) : Takayuki Okamoto, Takahisa Yamada and Kazuya Fukuda

Page 1 of 1

It is certified that error appears in the above-identified patent and that said Letters Patent is hereby corrected as shown below:

Title Page

(73) Assignee Delete "NEC DISPLAYS SOLUTIONS, LTD." to --NEC DISPLAY SOLUTIONS, LTD.--

Signed and Sealed this

Twenty-first Day of April, 2009



JOHN DOLL

*Acting Director of the United States Patent and Trademark Office*