



US00D579932S

(12) **United States Design Patent**
Huang

(10) **Patent No.:** **US D579,932 S**
(45) **Date of Patent:** **** Nov. 4, 2008**

(54) **PORTABLE ELECTRONIC DEVICE**
(75) Inventor: **Chien-Hsin Huang**, Taoyuan (TW)
(73) Assignee: **HTC Corporation**, Taoyuan (TW)
(**) Term: **14 Years**
(21) Appl. No.: **29/266,133**
(22) Filed: **Sep. 15, 2006**

D546,807 S * 7/2007 Lee D14/138
D547,296 S * 7/2007 Lin D14/138
D555,128 S * 11/2007 Jen D14/138
D555,620 S * 11/2007 Lee et al. D14/138
D561,148 S * 2/2008 Chen D14/138

FOREIGN PATENT DOCUMENTS

JP D1183153 8/2003
JP D1242834 6/2005
TW D114170 12/2006

OTHER PUBLICATIONS

HTC P3300. Sep. 2006, http://www.gsmarena.com/htc_p3300-1693.php.*

* cited by examiner

Primary Examiner—Cathron Brooks
Assistant Examiner—Angela J Lee
(74) *Attorney, Agent, or Firm*—Rabin & Berdo, PC

(30) **Foreign Application Priority Data**
May 25, 2006 (TW) 95302847

(51) **LOC (8) Cl.** **14-02**
(52) **U.S. Cl.** **D14/346**
(58) **Field of Classification Search** D14/341,
D14/342, 343, 344, 345, 346, 347, 452, 374,
D14/426, 496, 137, 138, 247, 248, 455, 456,
D14/420, 427, 432, 439, 440, 441, 448, 125,
D14/129, 130, 250, 389, 147, 218, 156, 126;
D21/517, 329, 331, 686; D18/7, 6; D10/65,
D10/104; 345/169, 173; 379/433.04, 433.06,
379/433.07, 433.11, 433.12, 433.13; 348/14.02;
455/556.1, 556.2, 566, 575.1, 575.4, 90.3,
455/575.3; 349/12; D13/168; D6/596, 601,
D6/605; 361/814; 341/22
See application file for complete search history.

(57) **CLAIM**

The ornamental design for a portable electronic device, as shown and described.

DESCRIPTION

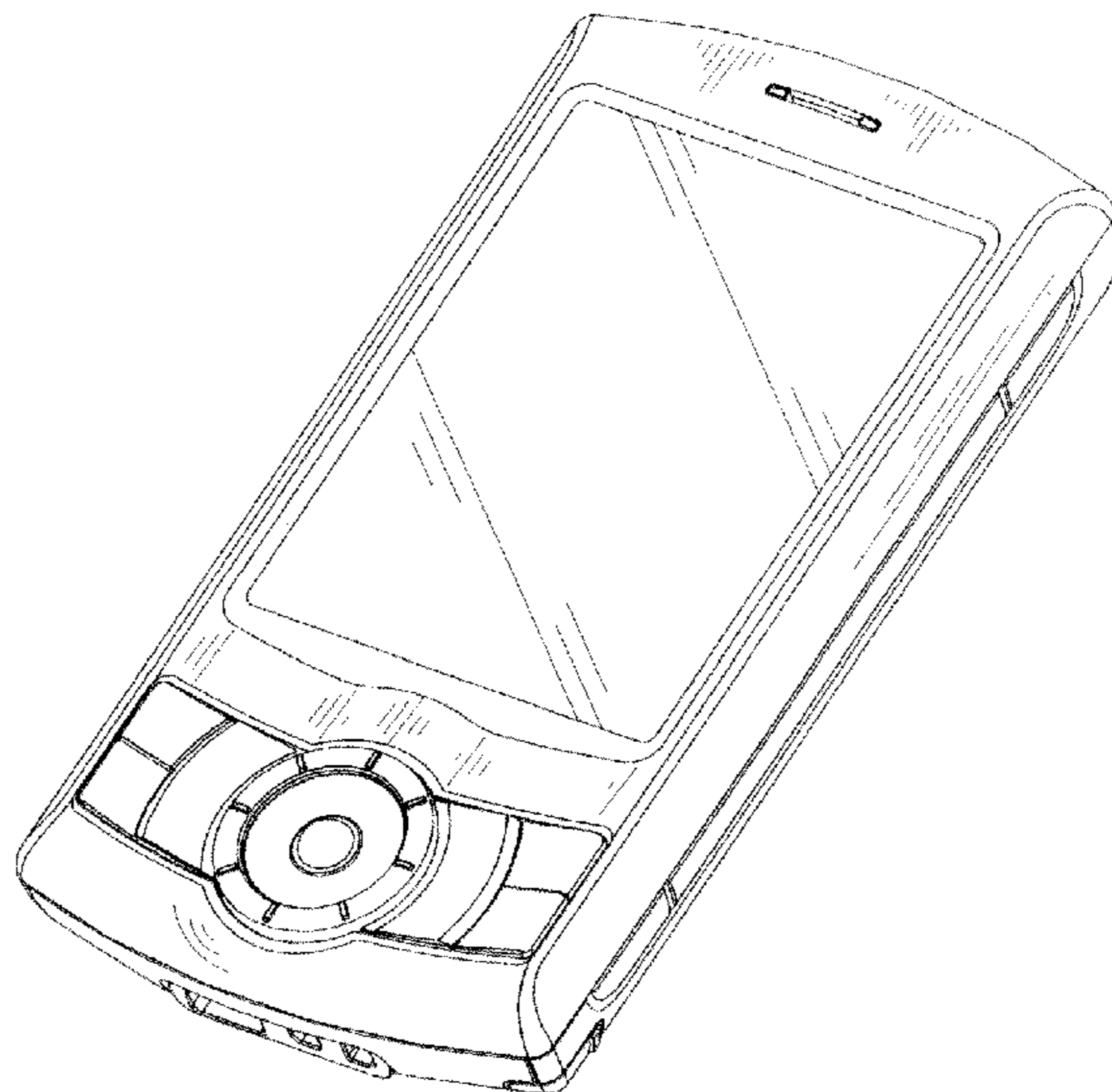
FIG. 1 is a perspective view of the front, bottom and right side of a portable electronic device showing my new design;
FIG. 2 is a front elevational view thereof;
FIG. 3 is a left side elevational view thereof;
FIG. 4 is a right side elevational view thereof;
FIG. 5 is a top plan view thereof;
FIG. 6 is a bottom plan view thereof; and,
FIG. 7 is a rear elevational view thereof.

The portions of the portable electronic device shown in broken lines form no part of the claimed design.

(56) **References Cited**
U.S. PATENT DOCUMENTS

D495,695 S * 9/2004 Yugaya D14/346
D509,203 S * 9/2005 Bertrand et al. D14/138
D511,342 S * 11/2005 Chien D14/346
D526,300 S * 8/2006 Lee D14/138
D527,000 S * 8/2006 Hong et al. D14/346
D527,015 S * 8/2006 Yang D14/496
D529,471 S * 10/2006 Park D14/138
D543,966 S * 6/2007 Peng et al. D14/138

1 Claim, 7 Drawing Sheets



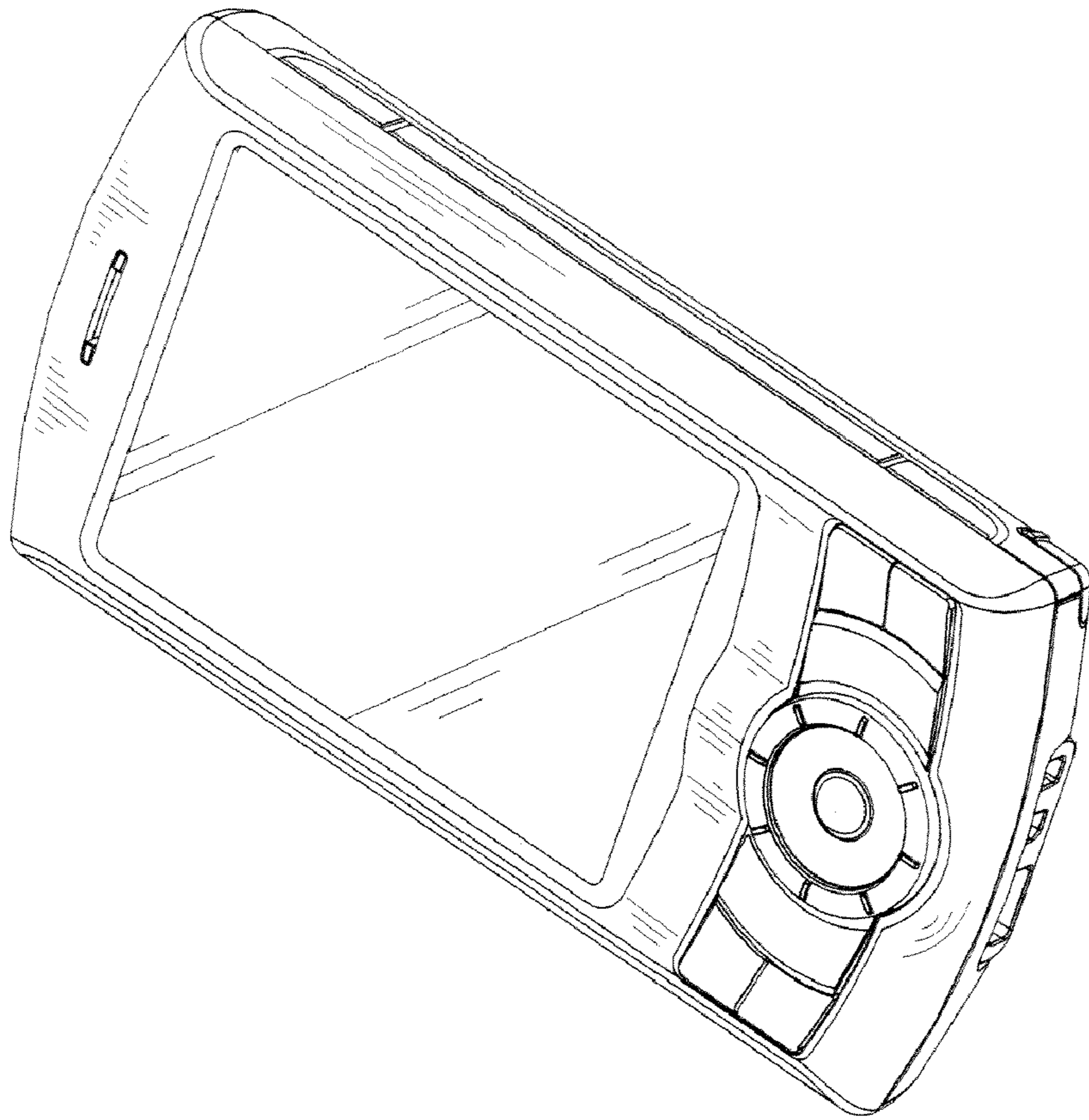


FIG. 1

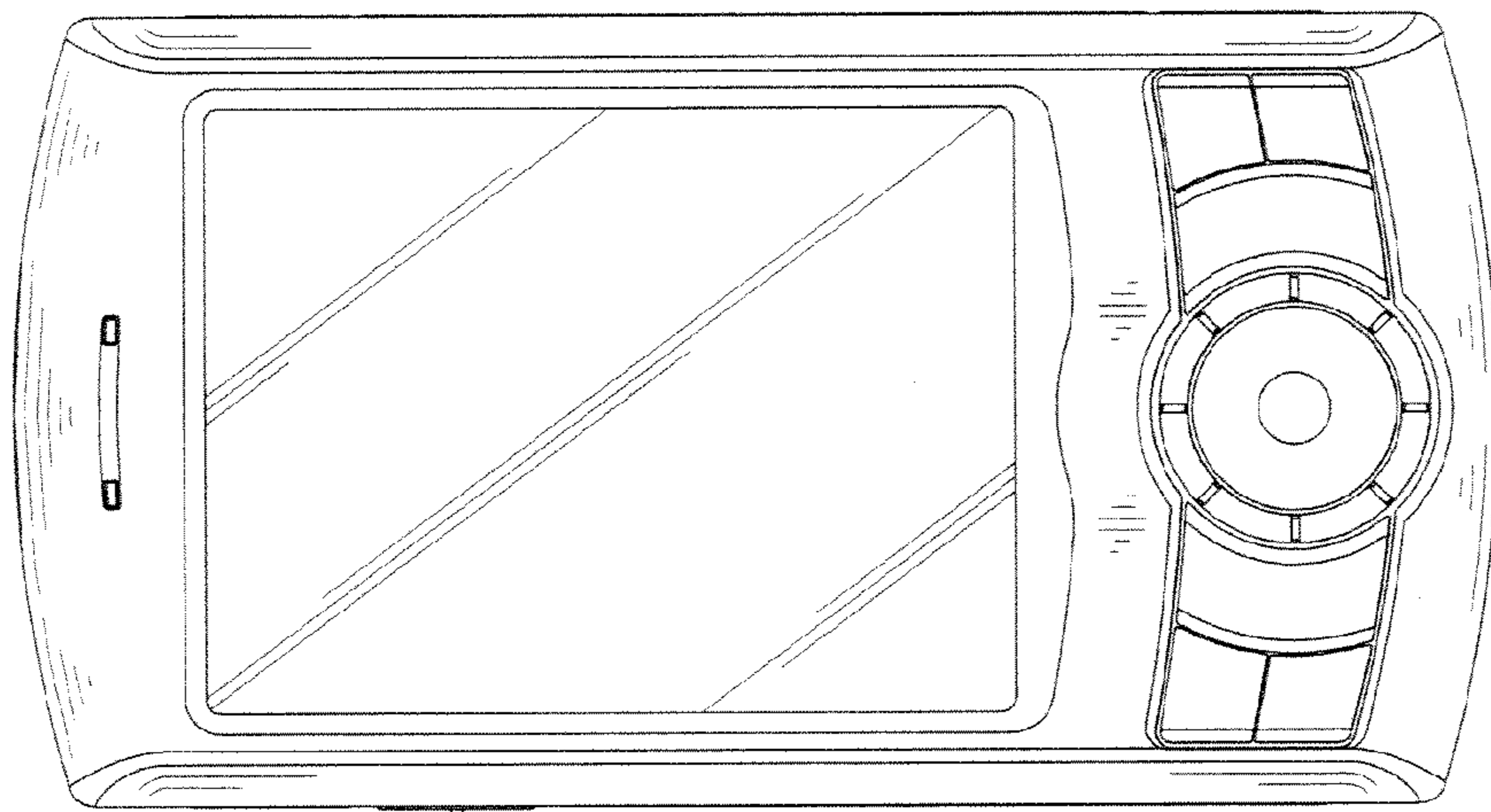


FIG. 2

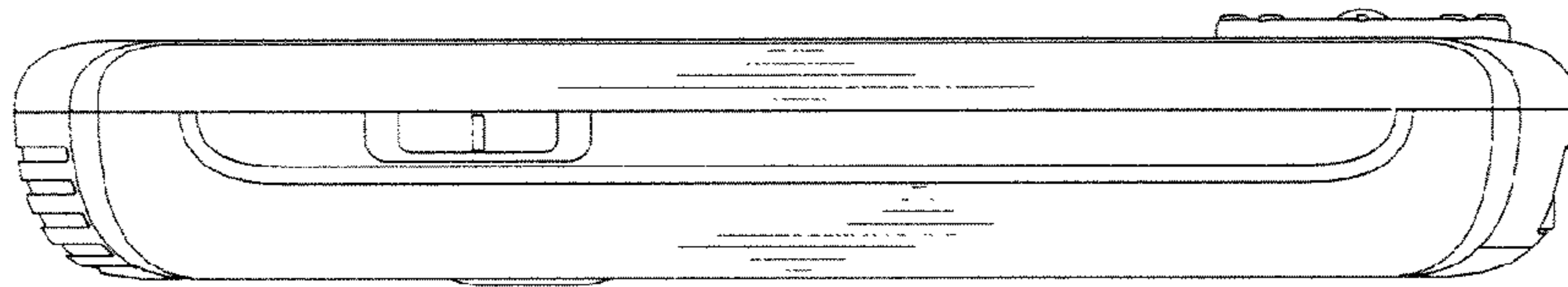


FIG. 3

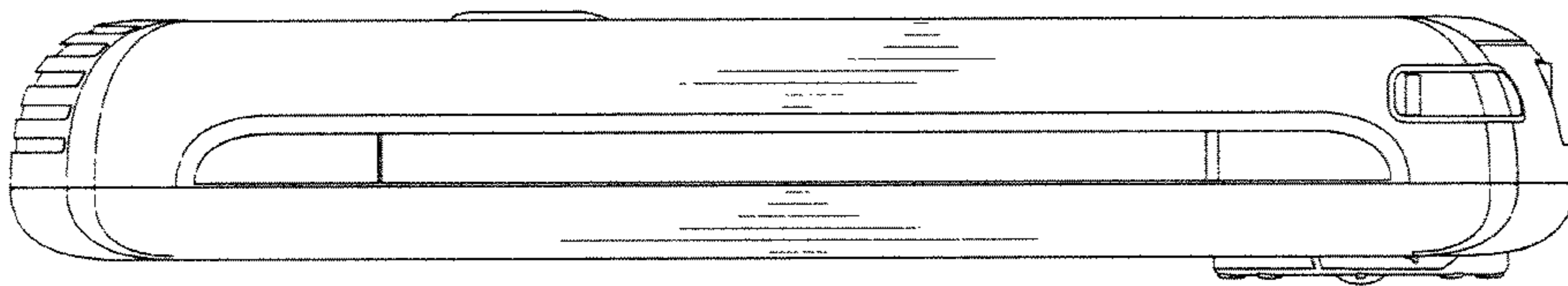


FIG. 4

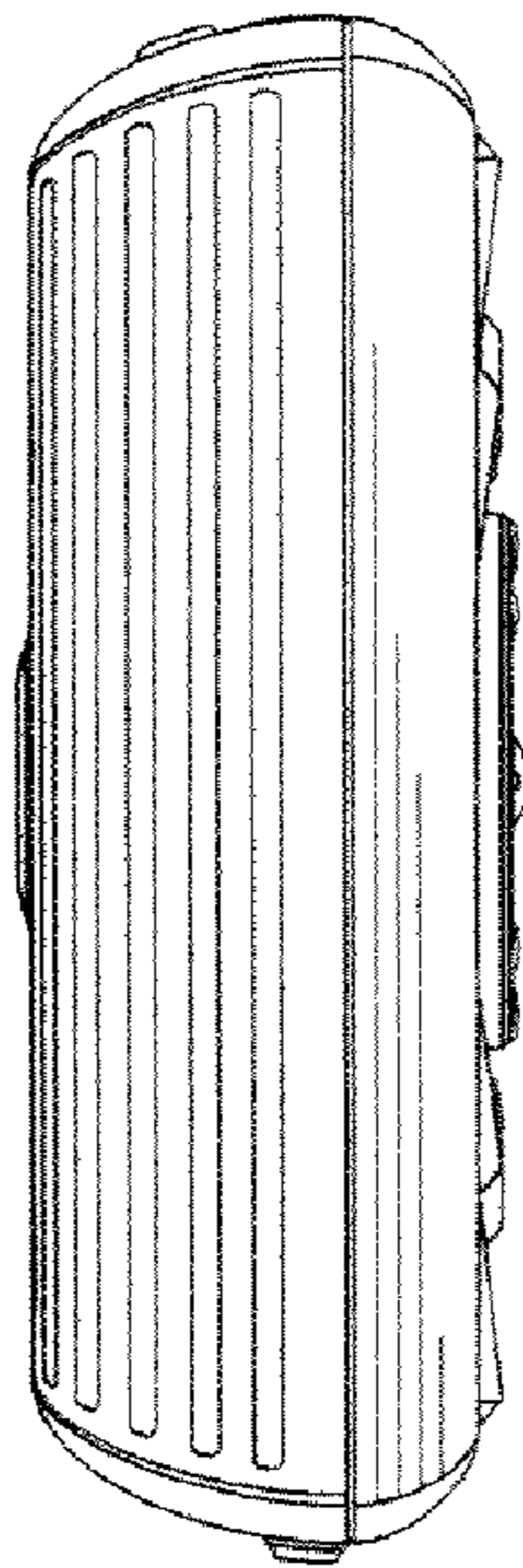


FIG. 5

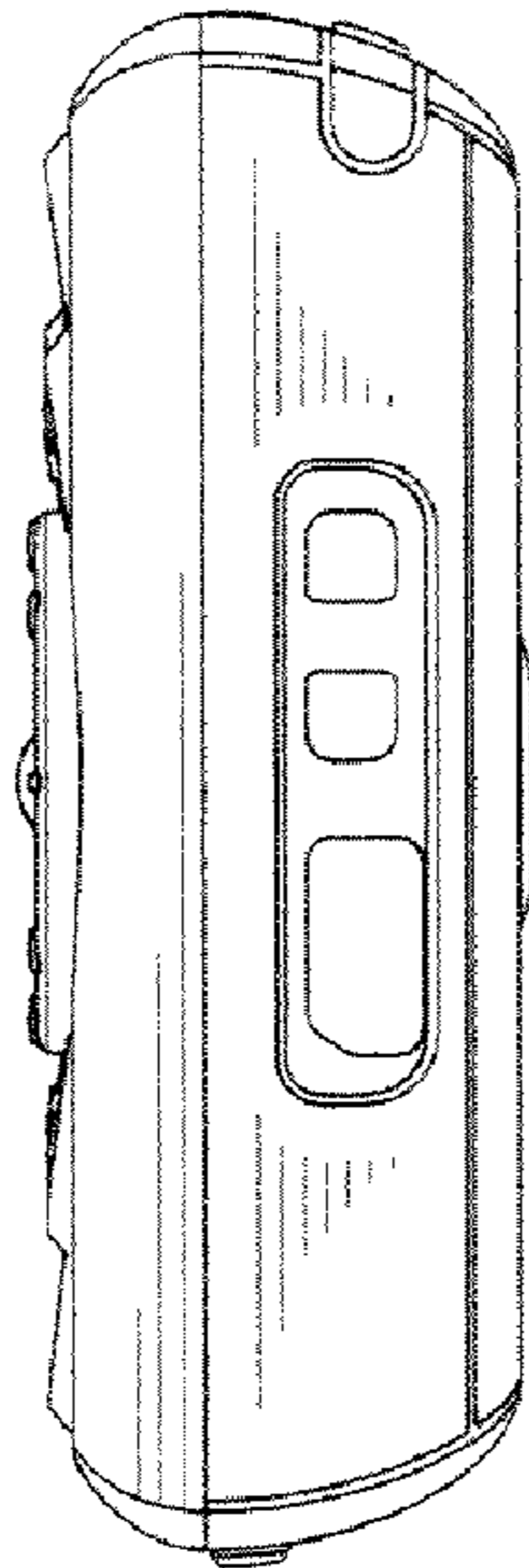


FIG. 6

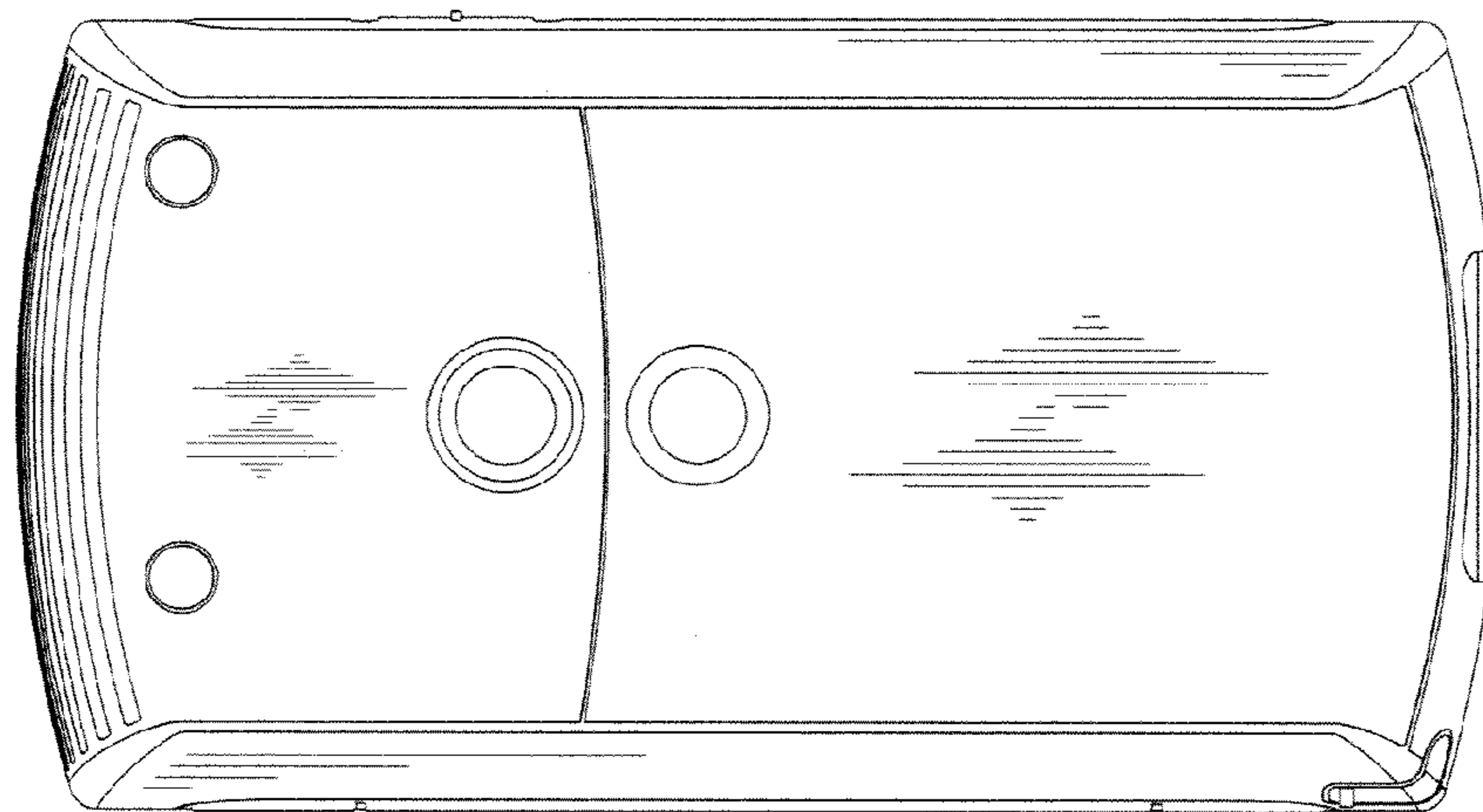


FIG. 7