



US00D579930S

(12) **United States Design Patent**
Maskatia

(10) **Patent No.:** **US D579,930 S**
(45) **Date of Patent:** **** Nov. 4, 2008**

(54) **MOBILE INTERNET DEVICE**
(75) Inventor: **Arif Maskatia**, San Jose, CA (US)
(73) Assignee: **Acer Incorporated**, Taipei Hsien (TW)
(**) Term: **14 Years**
(21) Appl. No.: **29/290,502**
(22) Filed: **Dec. 11, 2007**
(51) **LOC (8) Cl.** **14-02**
(52) **U.S. Cl.** **D14/341**
(58) **Field of Classification Search** D14/341,
D14/342, 343, 344, 345, 346, 347, 420, 426,
D14/427, 432, 439, 440, 441, 448, 496, 125,
D14/137, 129, 130, 138, 250, 389, 147, 218,
D14/247, 248, 156; D10/65, 78, 104, 46;
D13/168; D18/6, 7; D21/329, 686; D6/596,
D6/601, 605; 455/90.3, 556.1, 556.2, 575.1,
455/575.3, 575.4; 379/433.01, 433.04, 433.06,
379/433.07; 361/814; 341/22; 345/169,
345/173

See application file for complete search history.

(56) **References Cited**

U.S. PATENT DOCUMENTS

D304,884 S * 12/1989 Ackeret D6/311
D306,720 S * 3/1990 Flies D14/374
D309,679 S * 8/1990 Ackeret D6/311
D337,569 S * 7/1993 Kando D14/341
D361,552 S * 8/1995 Iino D14/341
D372,591 S * 8/1996 Brunner et al. D6/300
D481,207 S * 10/2003 Sheldon et al. D6/300

D490,420 S * 5/2004 Solomon et al. D14/341
D504,889 S * 5/2005 Andre et al. D14/341
D509,827 S * 9/2005 Johnson D14/374
D514,558 S * 2/2006 Nagel et al. D14/341
D535,281 S * 1/2007 Yang D14/167
D536,329 S * 2/2007 Lee D14/156
D537,420 S * 2/2007 Tsai D14/126
D550,174 S * 9/2007 Deguchi D14/126
D562,319 S * 2/2008 Kwon D14/375
D566,071 S * 4/2008 Kaneko D14/126
D566,588 S * 4/2008 Stevens et al. D10/65
D571,235 S * 6/2008 Stevens et al. D10/65
2005/0156902 A1 * 7/2005 McPherson et al. 345/173

* cited by examiner

Primary Examiner—Cathron C Brooks
Assistant Examiner—Barbara Fox
(74) *Attorney, Agent, or Firm*—Bacon & Thomas, PLLC

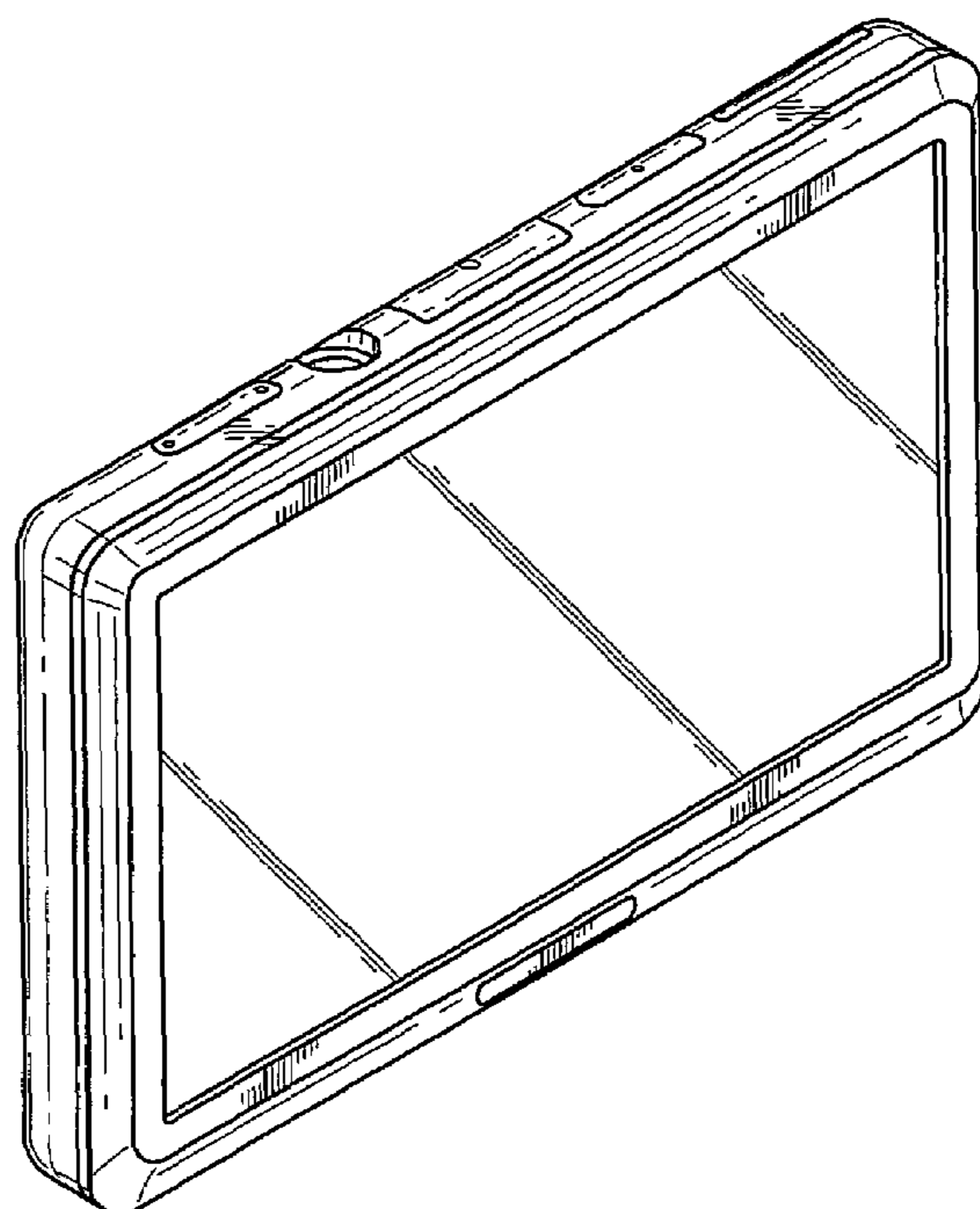
(57) **CLAIM**

The ornamental design for a mobile internet device, as shown and described.

DESCRIPTION

FIG. 1 is a front perspective view of a mobile internet device showing my new design;
FIG. 2 is a front elevational view thereof;
FIG. 3 is a right side elevational view thereof, the left side elevational view being a mirror image;
FIG. 4 is a top plan view thereof;
FIG. 5 is a bottom plan view thereof; and,
FIG. 6 is a rear elevational view thereof.

1 Claim, 2 Drawing Sheets



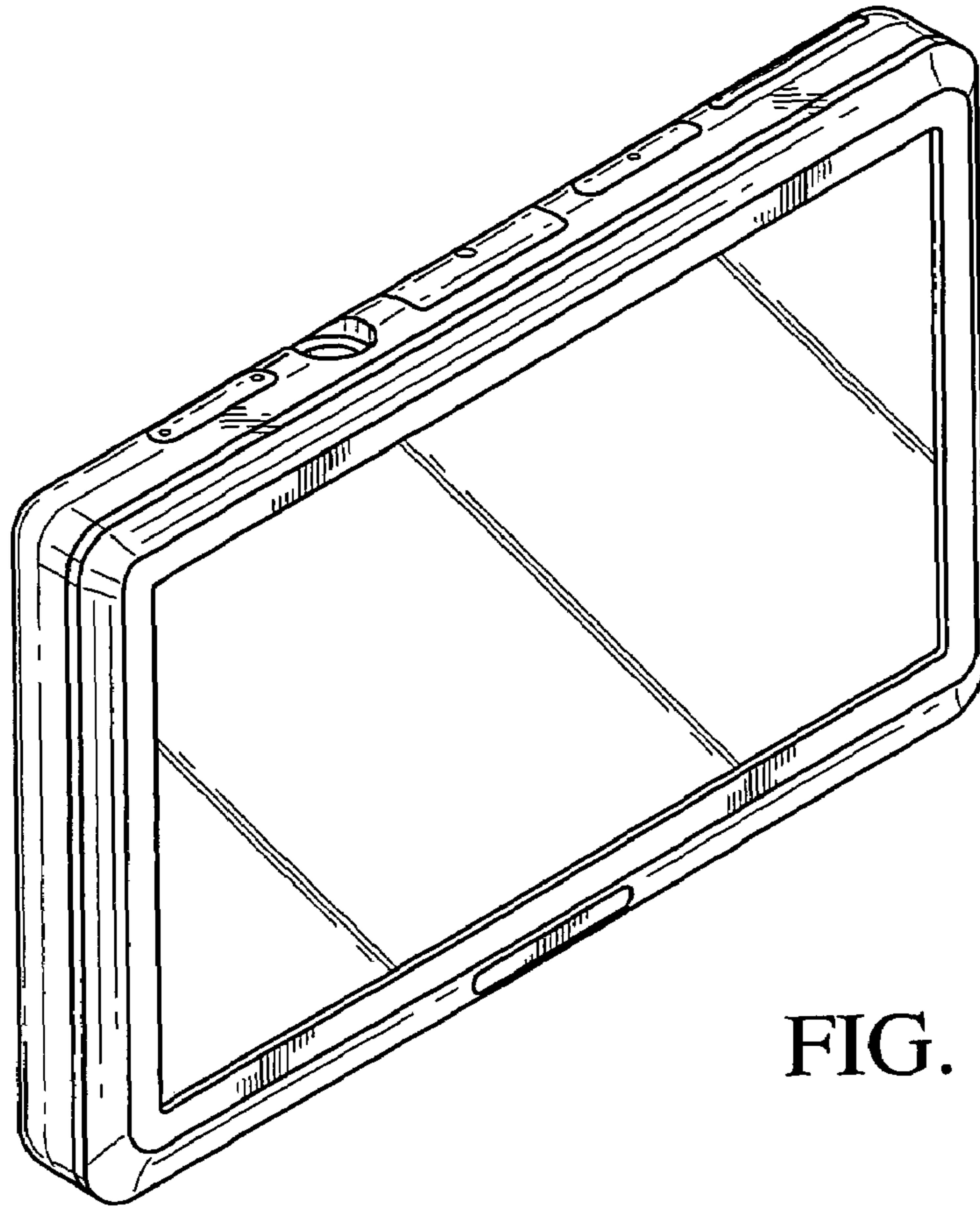


FIG. 1

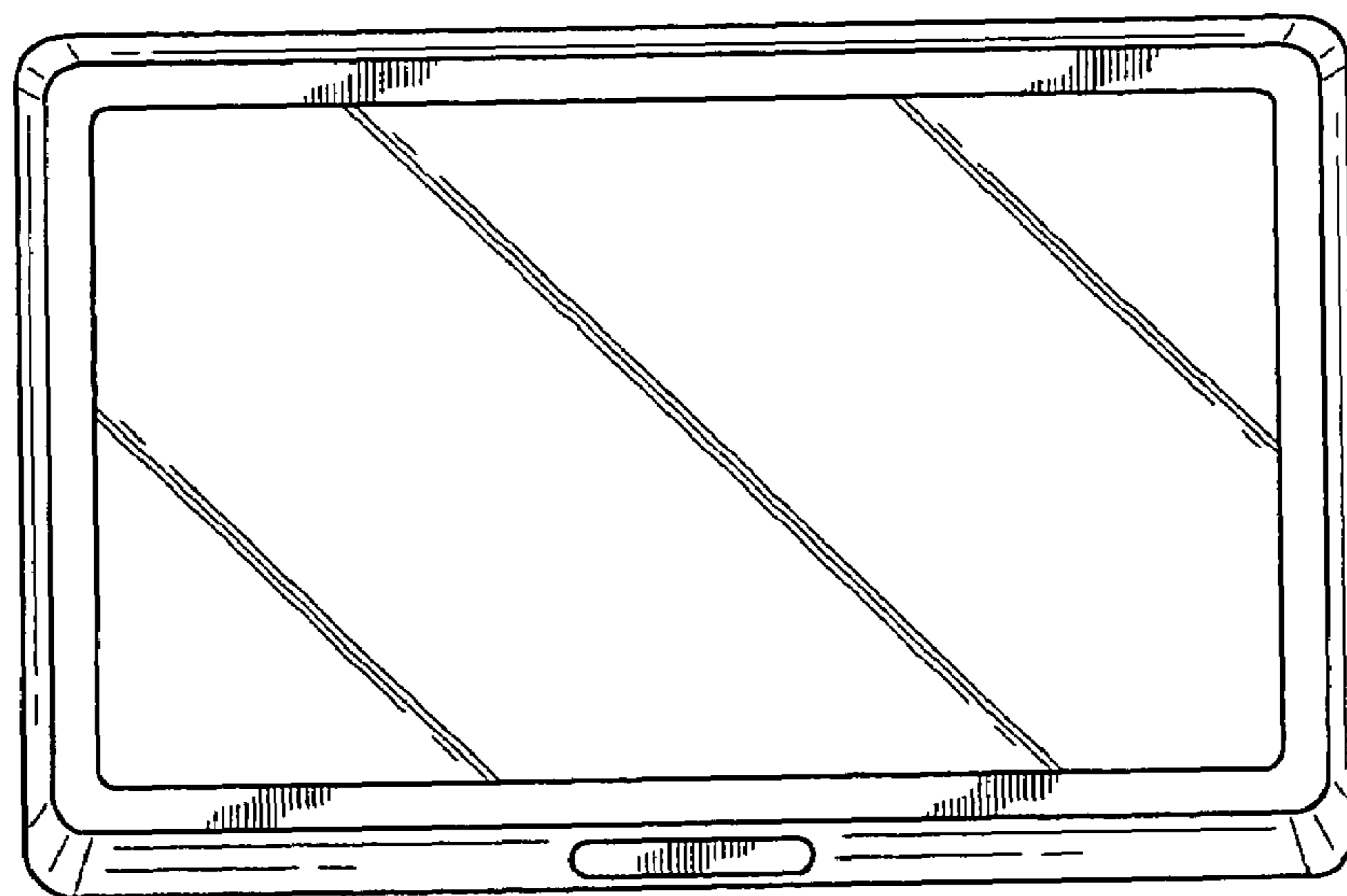


FIG. 2

FIG. 3

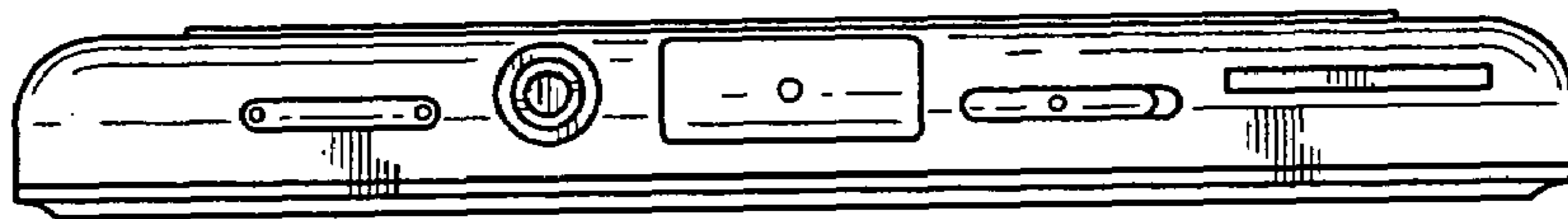
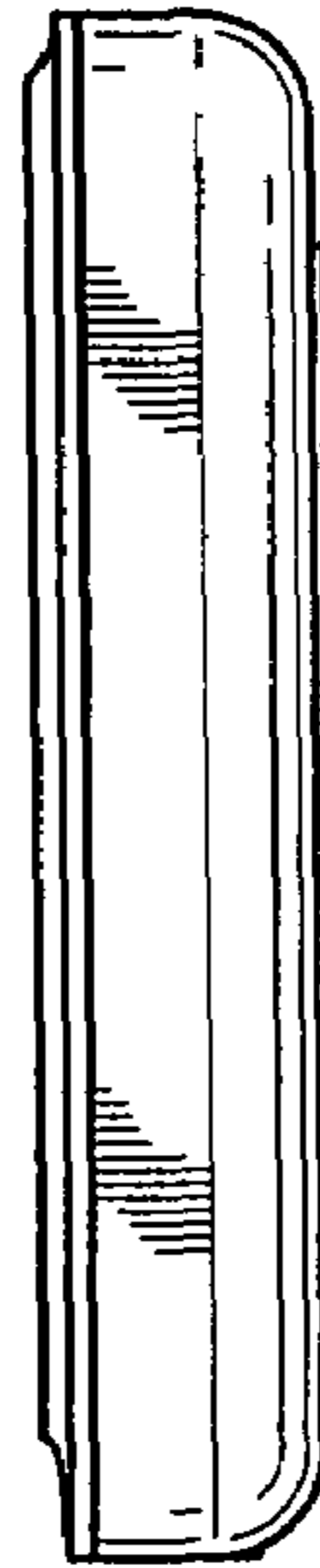


FIG. 4

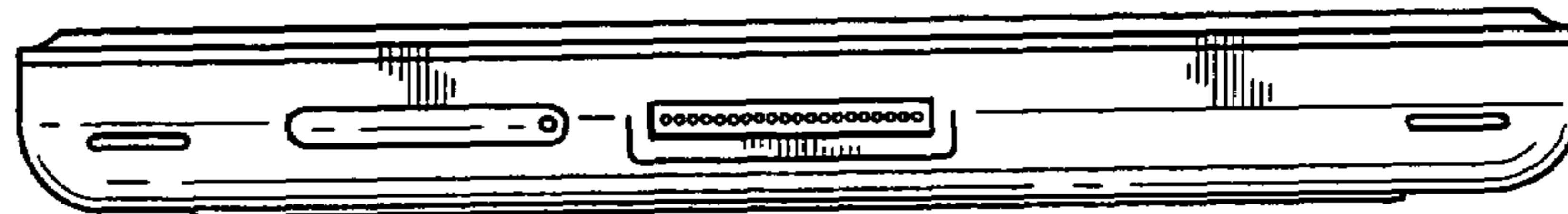


FIG. 5

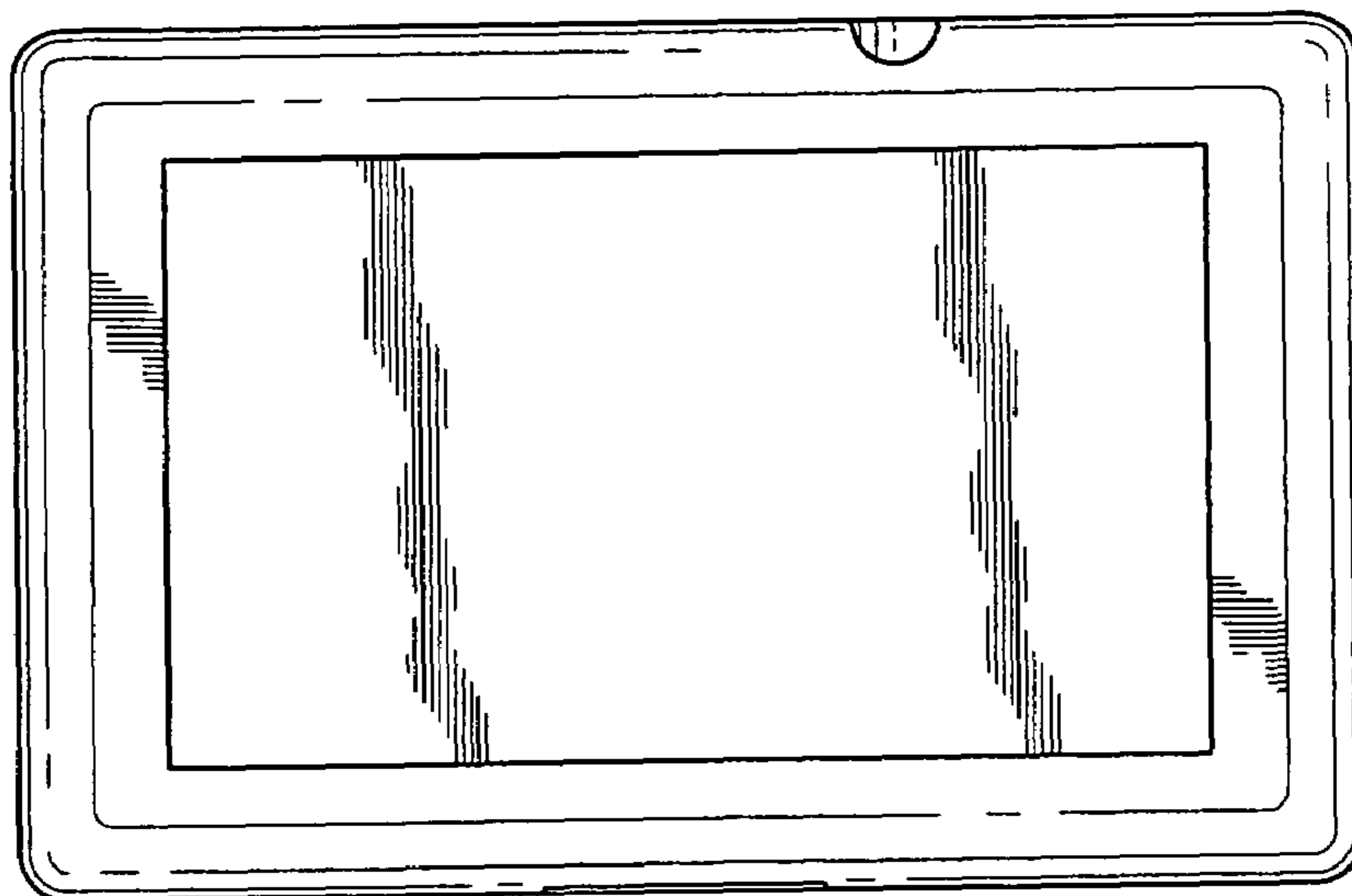


FIG. 6