



US00D579929S

(12) **United States Design Patent**
Bodley et al.

(10) **Patent No.:** **US D579,929 S**
(45) **Date of Patent:** **** Nov. 4, 2008**

(54) **BASE UNIT FOR WIRELESS
CONFERENCING SYSTEM**

(75) Inventors: **Martin R. Bodley**, Sudbury, MA (US);
Jean-Pierre Carney, Sudbury, MA (US)

(73) Assignee: **Revolabs, Inc.**, Maynard, MA (US)

(**) Term: **14 Years**

(21) Appl. No.: **29/248,720**

(22) Filed: **Aug. 30, 2006**

(51) **LOC (8) Cl.** **14-03**

(52) **U.S. Cl.** **D14/240**

(58) **Field of Classification Search** D14/240–256,
D14/356, 299; 455/151.1–151.4, 152.1,
455/352–355, 550.1; D13/168; 379/433.02,
379/433.13, 433.07

See application file for complete search history.

(56) **References Cited**

U.S. PATENT DOCUMENTS

D235,108 S *	5/1975	De Luca	D14/256
5,207,342 A *	5/1993	Tsuji et al.	220/4.02
D442,171 S *	5/2001	Jang	D14/242
D463,414 S *	9/2002	Gao	D14/240
D476,977 S *	7/2003	Gao et al.	D14/240
D490,403 S *	5/2004	Wu et al.	D14/240

6,990,197 B2 *	1/2006	Wong et al.	379/433.02
D530,316 S *	10/2006	Hsu et al.	D14/240
D530,325 S *	10/2006	Kerila et al.	D14/356
D530,709 S *	10/2006	Bang et al.	D14/240
7,194,085 B2 *	3/2007	Yamazaki et al.	379/433.07
7,194,086 B2 *	3/2007	Pletikosa	379/433.12
2004/0211774 A1 *	10/2004	Daoud et al.	220/4.02

* cited by examiner

Primary Examiner—Charles A Rademaker

(74) *Attorney, Agent, or Firm*—Nutter McClennen & Fish
LLP

(57) **CLAIM**

The ornamental design for a base unit for wireless conferencing system, as shown.

DESCRIPTION

FIG. 1 is a top plan view of a base unit for wireless conferencing system showing our new design;

FIG. 2 is a front elevation thereof;

FIG. 3 is a side elevation thereof;

FIG. 4 is a rear elevation thereof;

FIG. 5 is a bottom plan view thereof; and,

FIG. 6 is a top perspective view thereof.

1 Claim, 6 Drawing Sheets

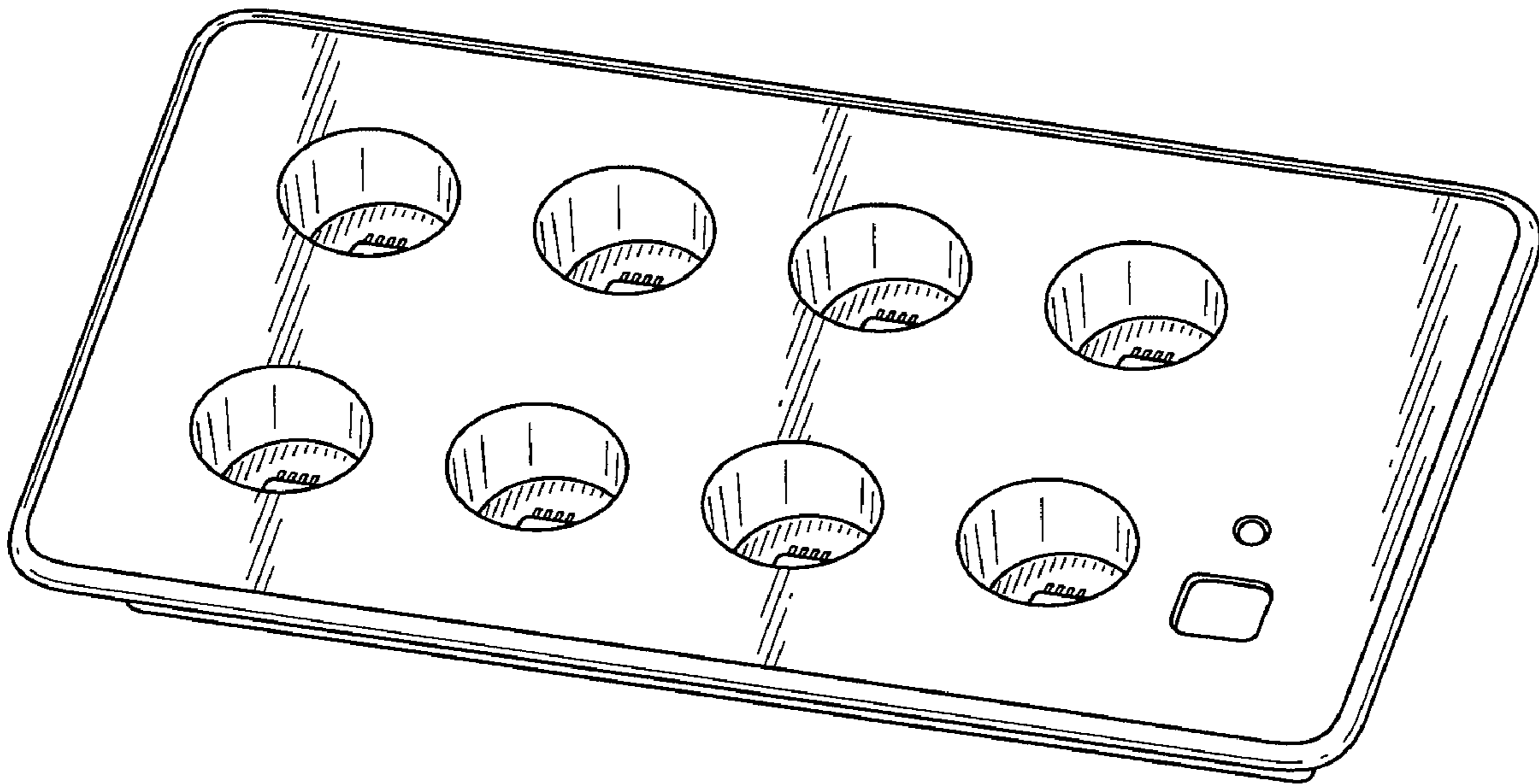


FIG. 1

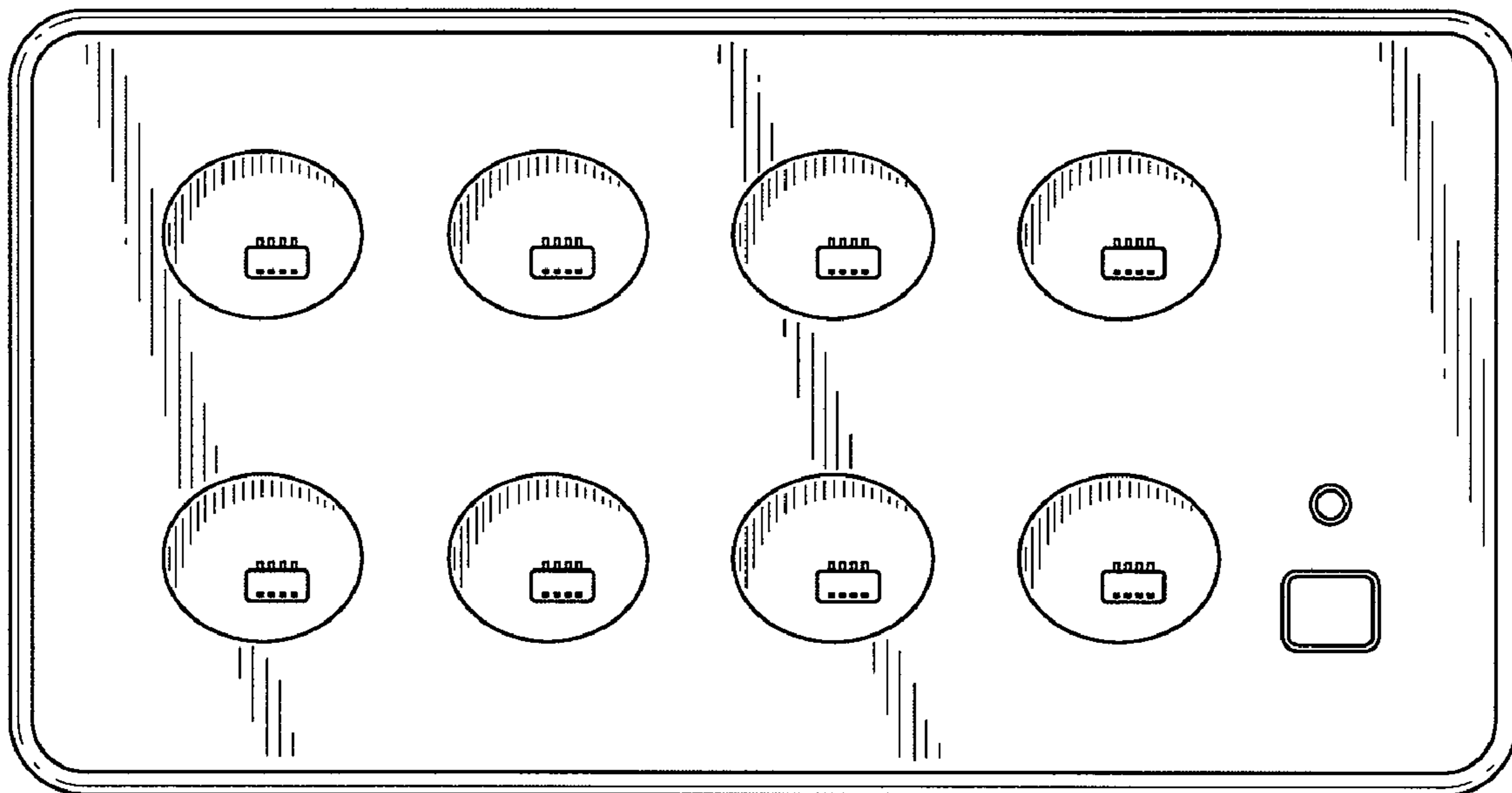


FIG. 2

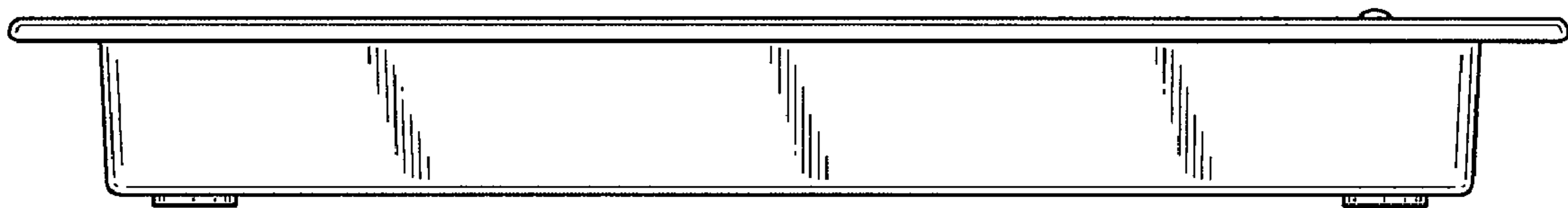


FIG. 3

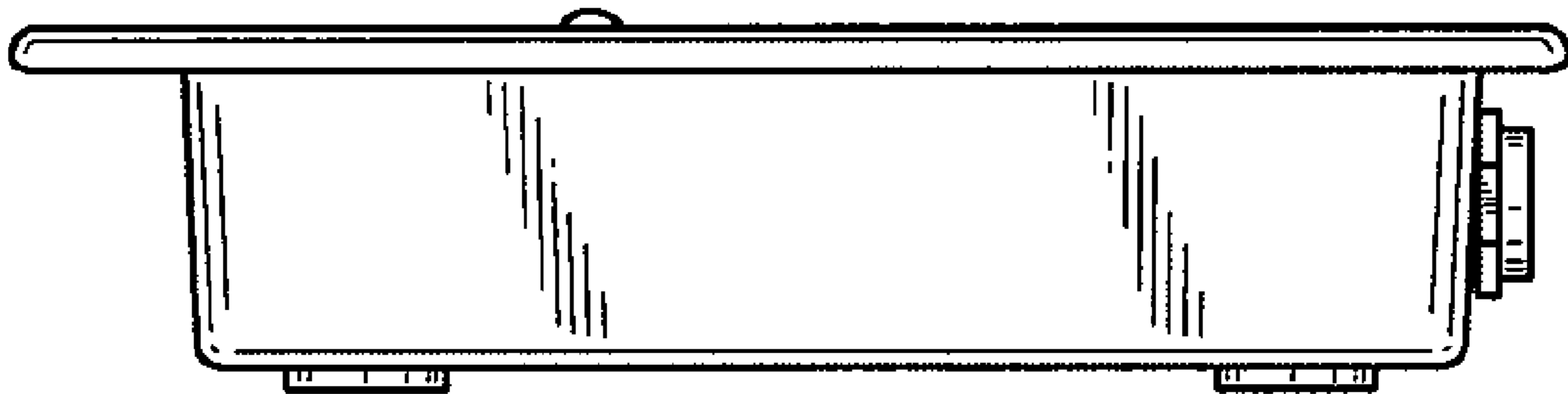


FIG. 4

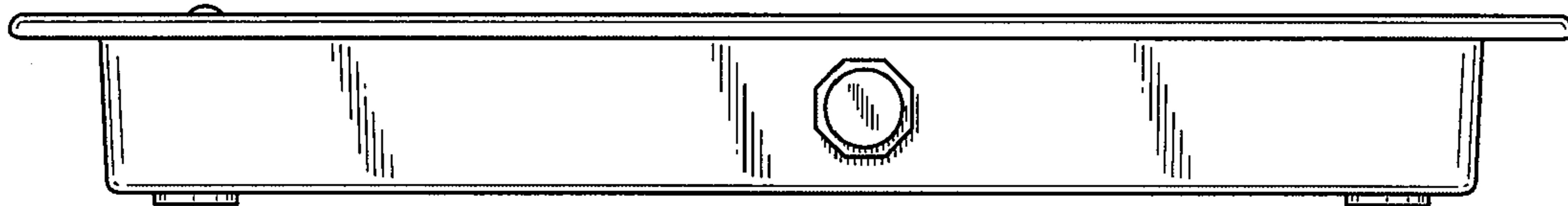


FIG. 5

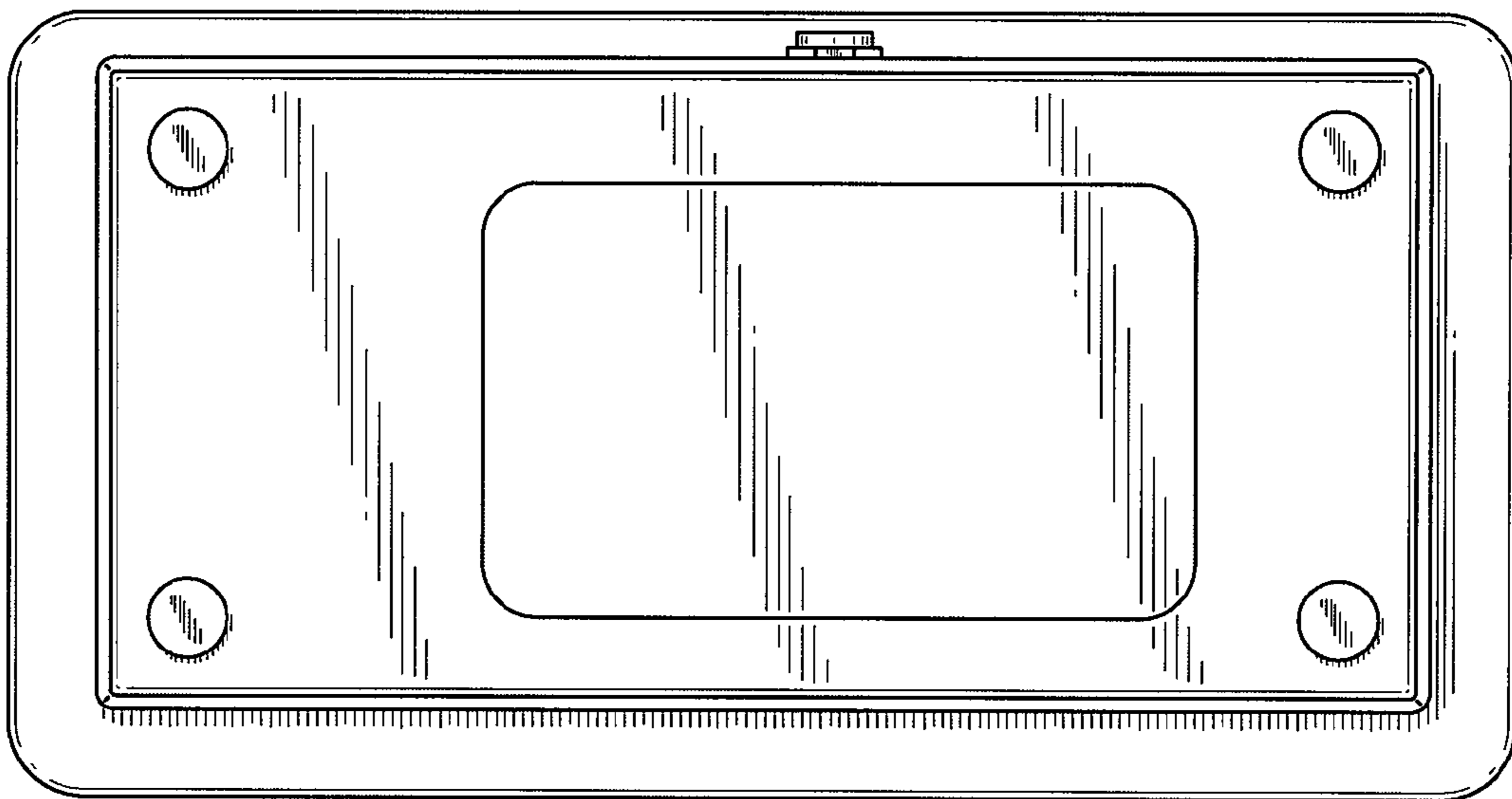


FIG. 6

