



US00D579928S

(12) **United States Design Patent**
Murata

(10) **Patent No.:** **US D579,928 S**
(45) **Date of Patent:** **** Nov. 4, 2008**

(54) **MICROPHONE HOLDER**

(75) Inventor: **Takashi Murata**, Machida (JP)

(73) Assignee: **Kabushiki Kaisha Audio-Technica**,
Machida-Shi, Tokyo (JP)

(**) Term: **14 Years**

(21) Appl. No.: **29/290,008**

(22) Filed: **Oct. 11, 2007**

(51) **LOC (8) Cl.** **14-99**

(52) **U.S. Cl.** **D14/229**

(58) **Field of Classification Search** D14/217,
D14/229; D17/22, 99; D6/552; D8/355,
D8/367, 373, 394; 84/723, 746, 726, 730,
84/738; D22/147; 362/427; 248/122.1,
248/183.1, 217.4, 284.1, 278.1, 447, 442.2;
381/361, 363, 368

See application file for complete search history.

(56) **References Cited**

U.S. PATENT DOCUMENTS

- 2,123,103 A * 7/1938 Fischel 439/23
- 2,776,462 A * 1/1957 Burroughs 248/122.1
- 3,581,354 A * 6/1971 Usiskin 24/569
- D229,480 S * 12/1973 Brushaber D8/355
- 4,034,946 A * 7/1977 Zimmer, Jr. 248/183.2

- D250,221 S * 11/1978 Clark et al. D8/363
- D250,222 S * 11/1978 Clark et al. D8/363
- D260,235 S * 8/1981 Anderson et al. D8/394
- D279,959 S * 8/1985 Nimmo et al. D8/396
- D305,026 S * 12/1989 Wolf D14/229
- D306,396 S * 3/1990 Brushaber D8/355
- D507,591 S * 7/2005 Kamijima et al. D17/22
- 6,922,475 B2 * 7/2005 Hsieh 381/368

* cited by examiner

Primary Examiner—Paula Greene

(74) *Attorney, Agent, or Firm*—Manabu Kanesaka

(57) **CLAIM**

The ornamental design for microphone holder, as shown and described

DESCRIPTION

FIG. 1 is a perspective view of microphone holder showing my new design;

FIG. 2 is a front view thereof;

FIG. 3 is a top plan view thereof;

FIG. 4 is a bottom view thereof, the undisclosed portion is not part of the claimed design;

FIG. 5 is a left side view thereof; and,

FIG. 6 is a right side view thereof.

1 Claim, 6 Drawing Sheets

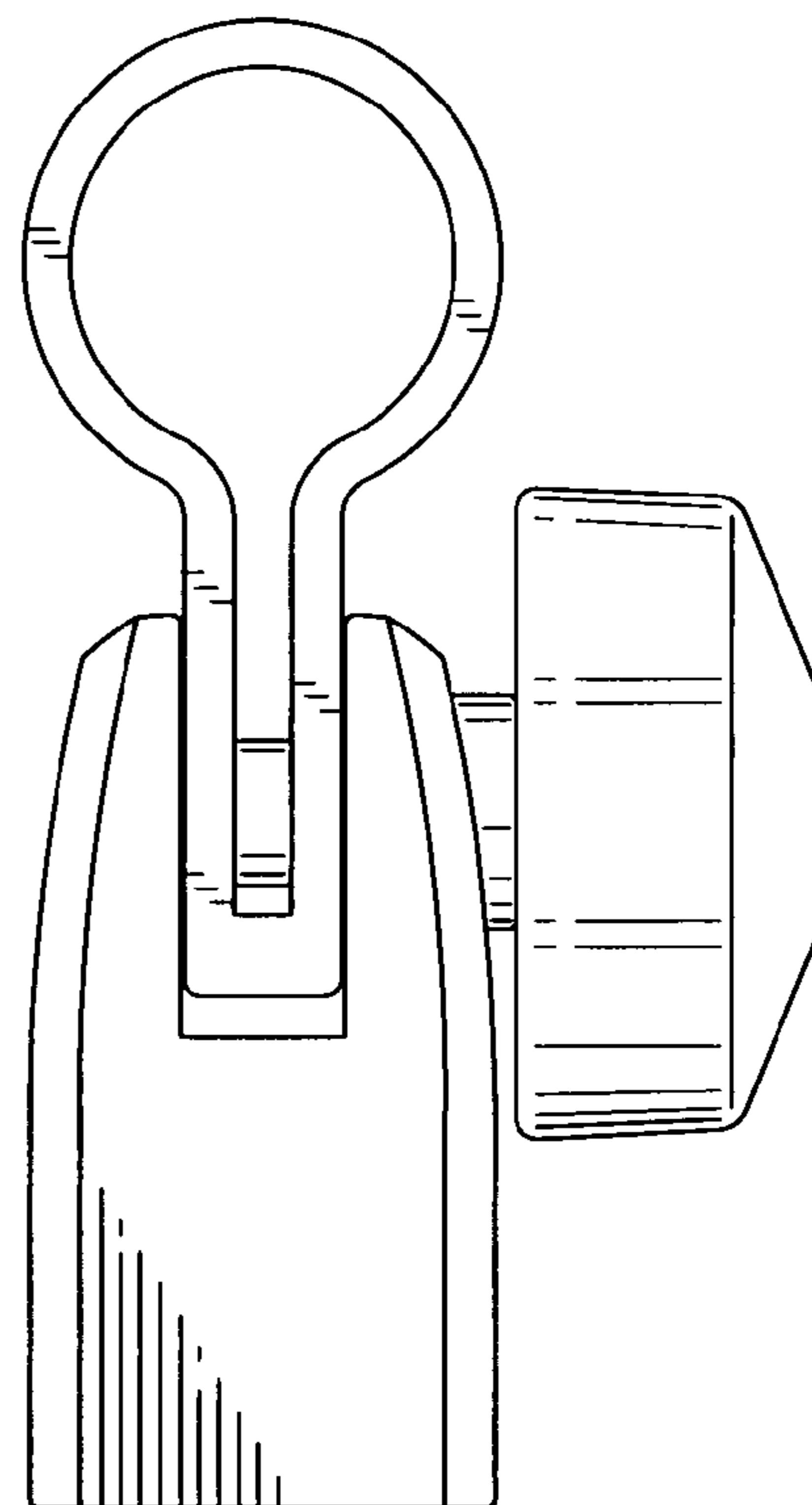
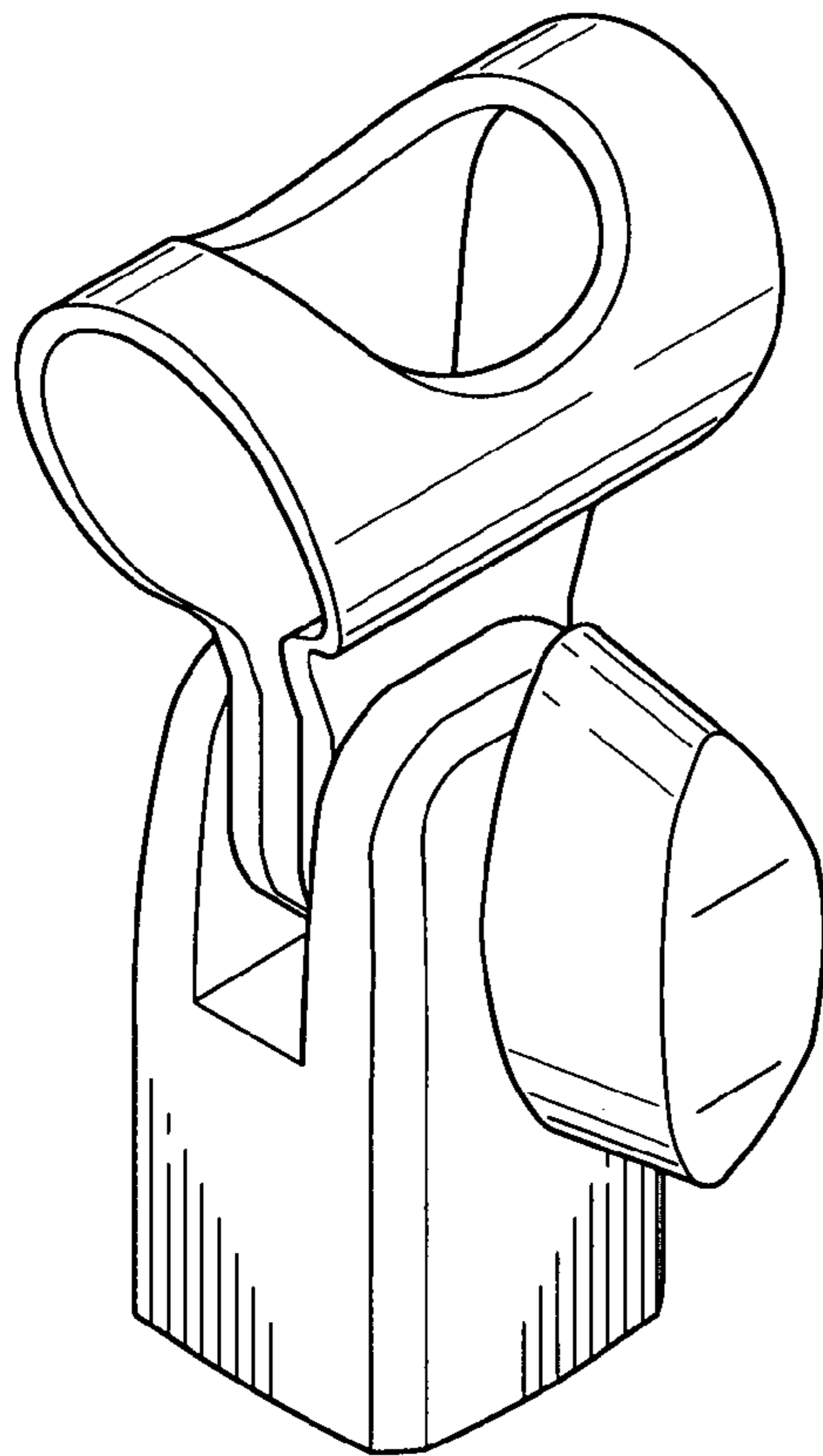


FIG. 1

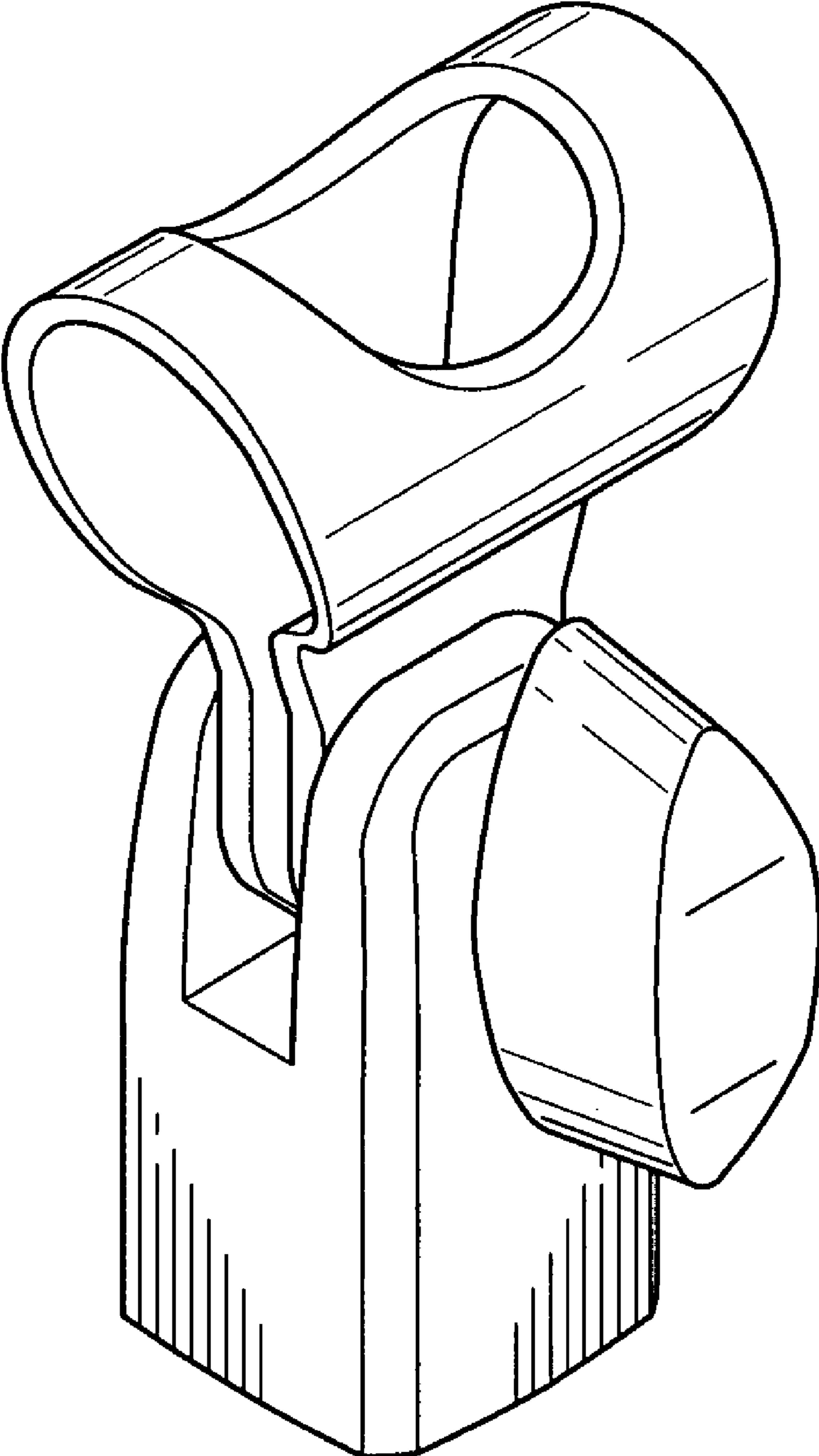


FIG. 2

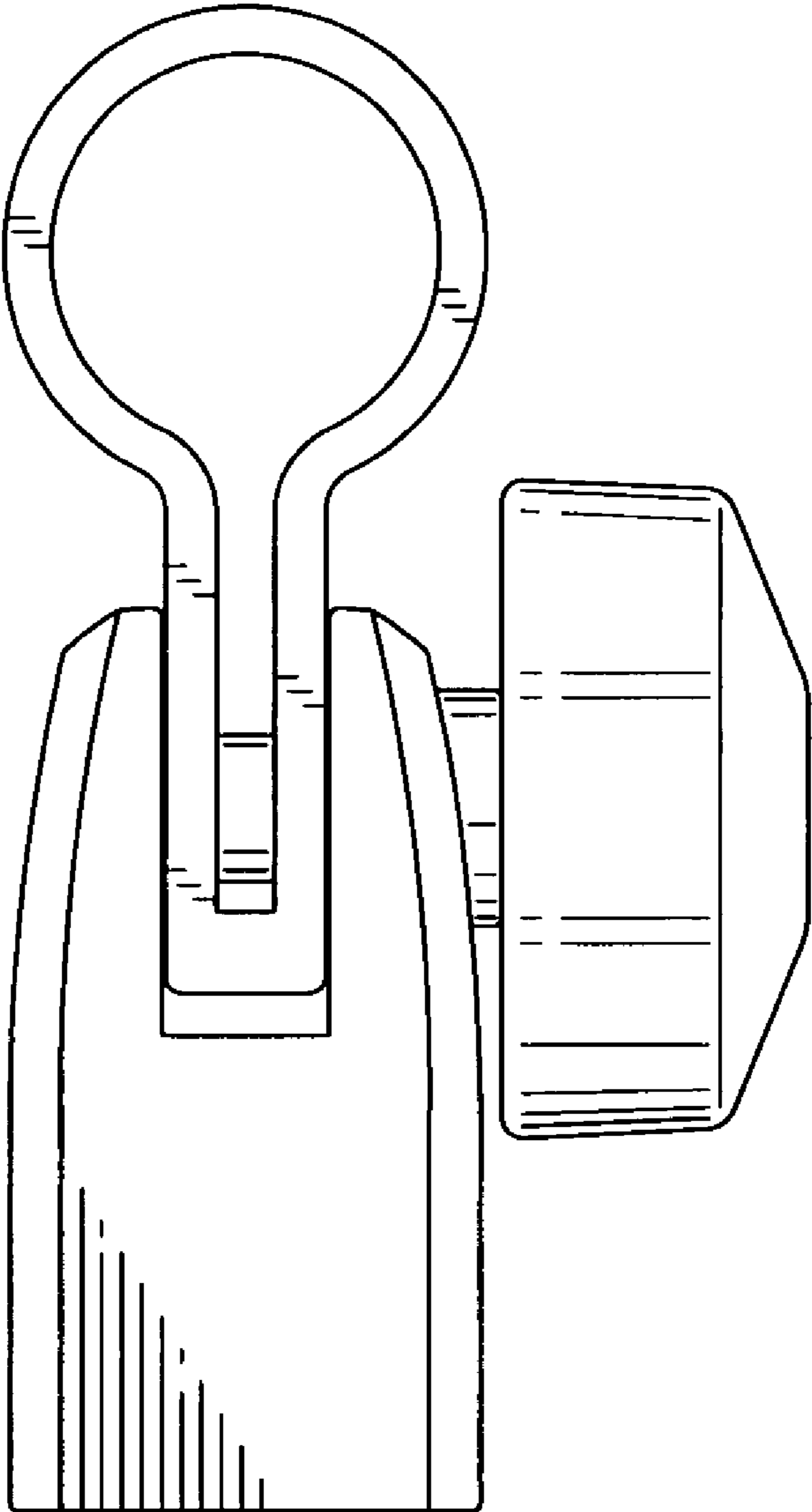


FIG. 3

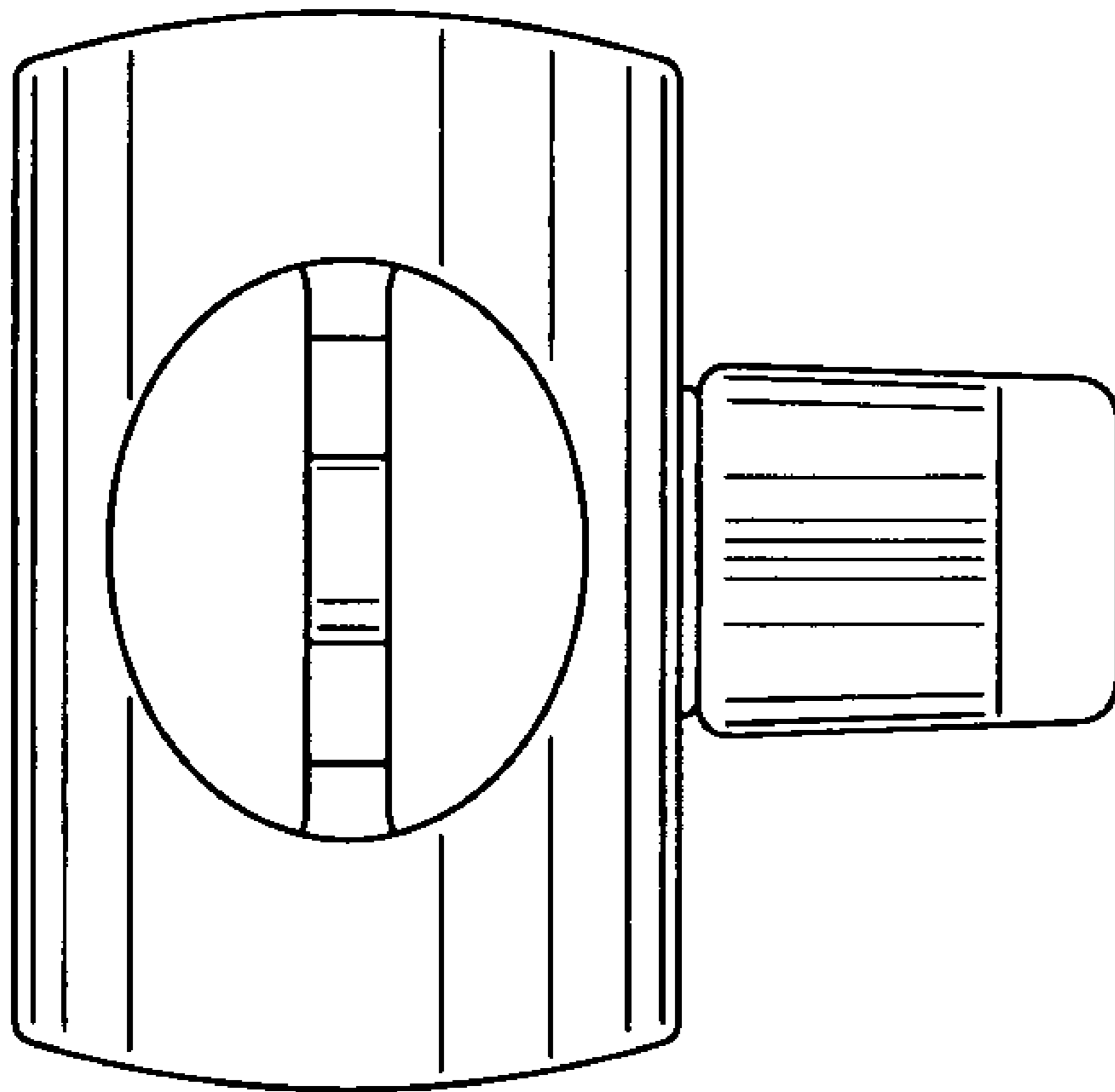


FIG. 4

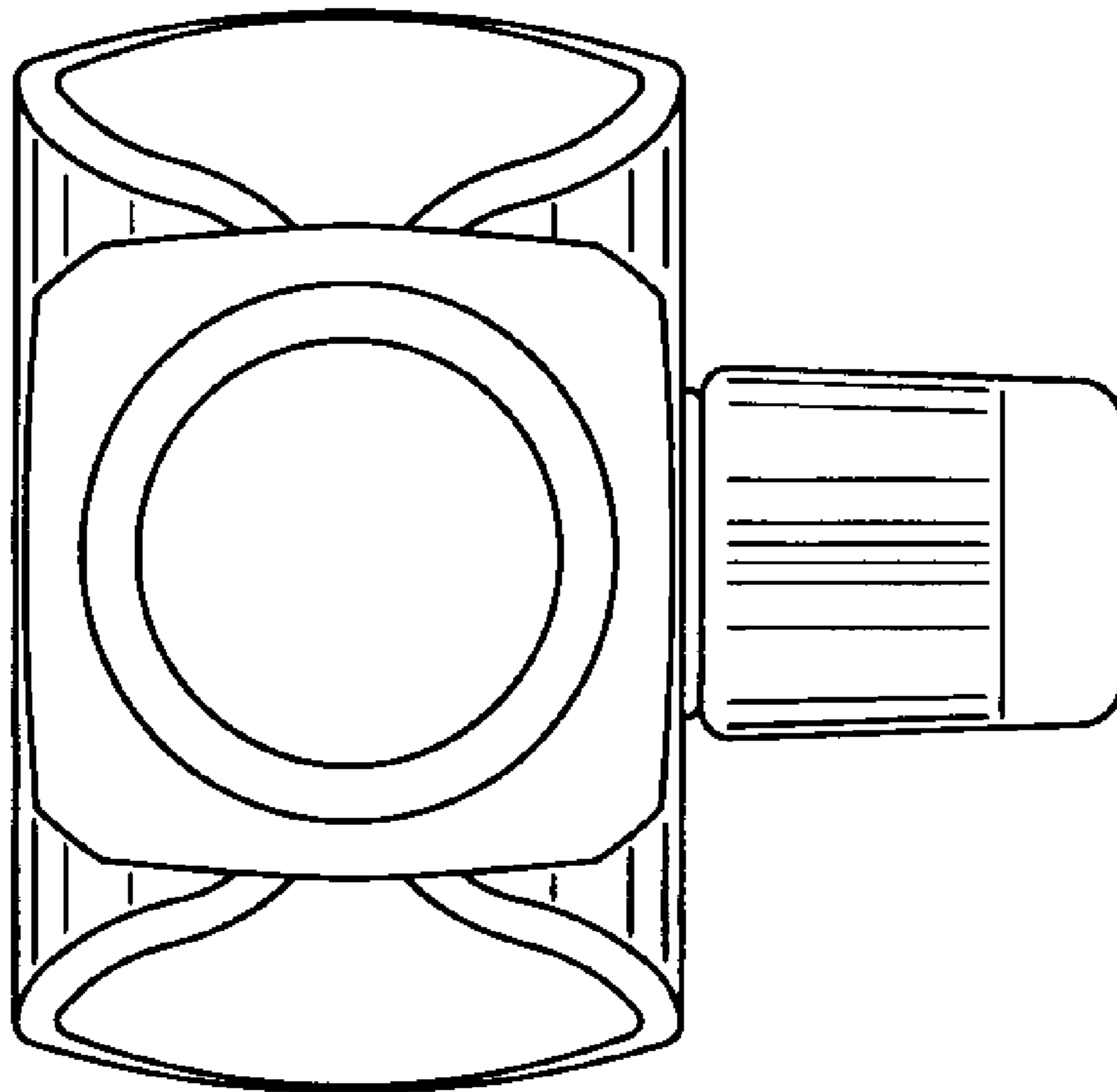


FIG. 5

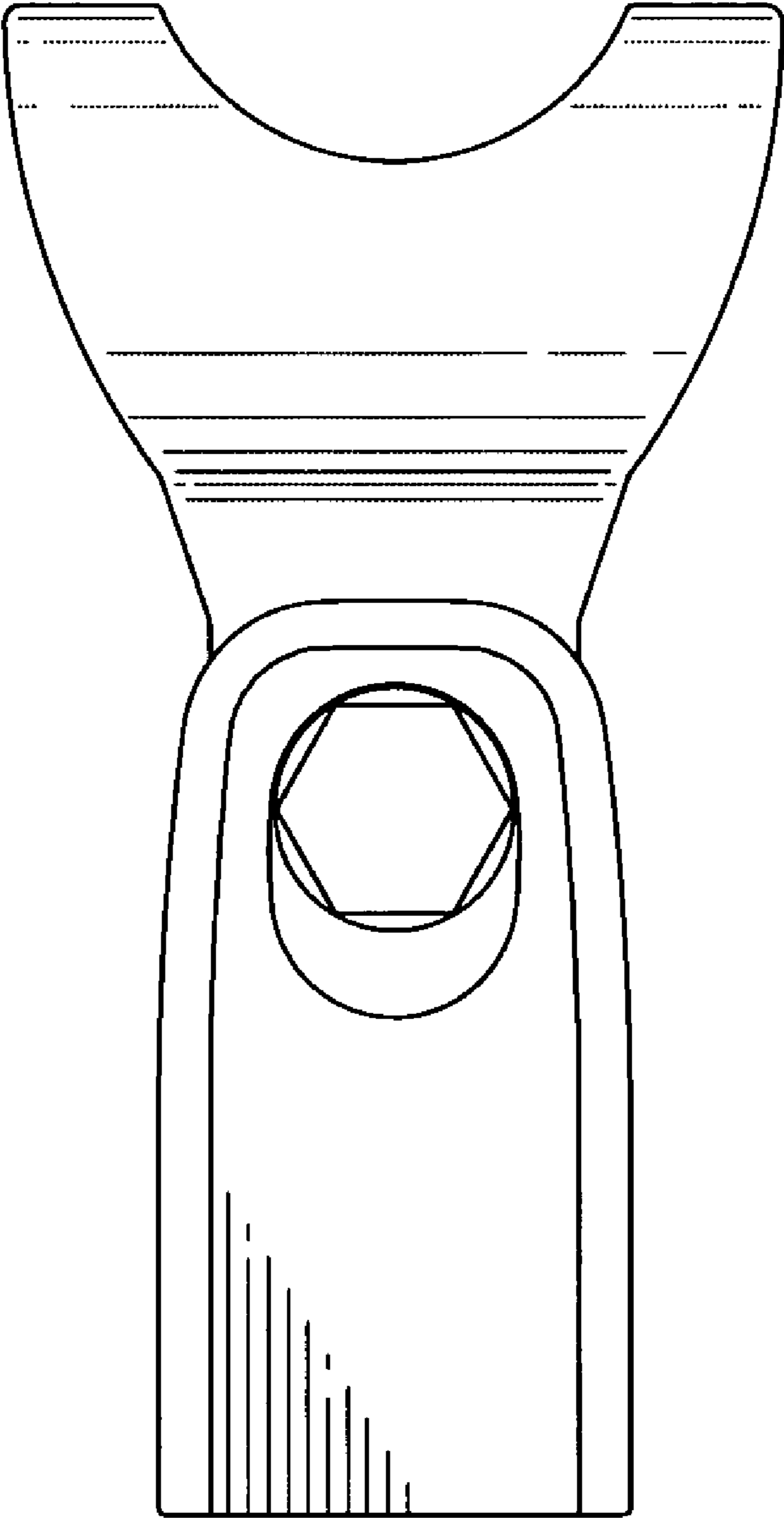


FIG. 6

