



US00D579925S

(12) **United States Design Patent**
Jaakkola et al.

(10) **Patent No.:** **US D579,925 S**

(45) **Date of Patent:** **** Nov. 4, 2008**

(54) **HEADSET**

(75) Inventors: **Mikael Jaakkola**, Turku (FI); **Sami Lehtovaara**, Masku (FI)

(73) Assignee: **Nokia Corporation**, Espoo (FI)

(**) Term: **14 Years**

(21) Appl. No.: **29/281,895**

(22) Filed: **Jul. 5, 2007**

(30) **Foreign Application Priority Data**

Jan. 5, 2007 (FI) M20070004

(51) **LOC (8) Cl.** **14-01**

(52) **U.S. Cl.** **D14/223; D14/205**

(58) **Field of Classification Search** D14/138,
D14/167, 188, 192, 205, 206, 223; 181/129–130;
379/430, 433.01, 433.02, 433.03; 381/370,
381/380, 381, 374–379; 455/550.1, 575.1,
455/575.4, 575.6; D24/174

See application file for complete search history.

(56) **References Cited**

U.S. PATENT DOCUMENTS

D464,638 S * 10/2002 Huang D14/205
D480,386 S * 10/2003 Browne et al. D14/223
D512,049 S * 11/2005 Yang D14/223
D550,215 S * 9/2007 Udagawa et al. D14/223

D553,613 S * 10/2007 Sade et al. D14/223
D566,103 S * 4/2008 Sade et al. D14/223
D566,692 S * 4/2008 Sade et al. D14/223

* cited by examiner

Primary Examiner—Paula Greene

(74) *Attorney, Agent, or Firm*—Banner & Witcoff, Ltd.

(57) **CLAIM**

The ornamental design for a headset, as shown and described.

DESCRIPTION

FIG. 1 is a front elevational view of a headset showing our new design, the headset is shown without the earhook for purposes of illustration;

FIG. 2 is a perspective front view thereof;

FIG. 3 is a rear view thereof;

FIG. 4 is a perspective rear view thereof;

FIG. 5 is a left side view thereof;

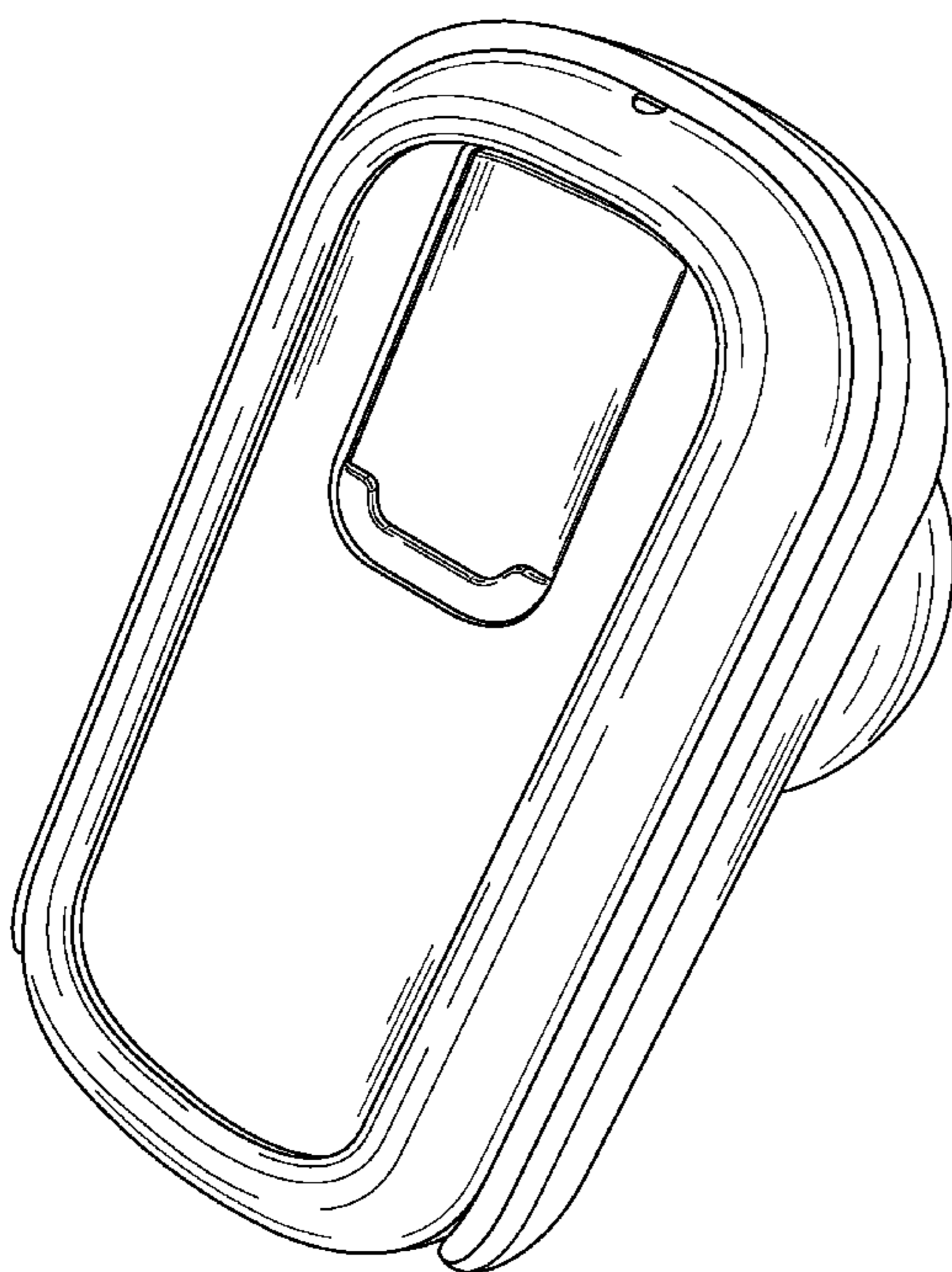
FIG. 6 is a right side view thereof;

FIG. 7 is a top plan view thereof;

FIG. 8 is a bottom plan view thereof; and,

FIG. 9 is a perspective rear view of a headset showing our new design in an open, in-use position, the opposite side is a mirror image.

1 Claim, 6 Drawing Sheets



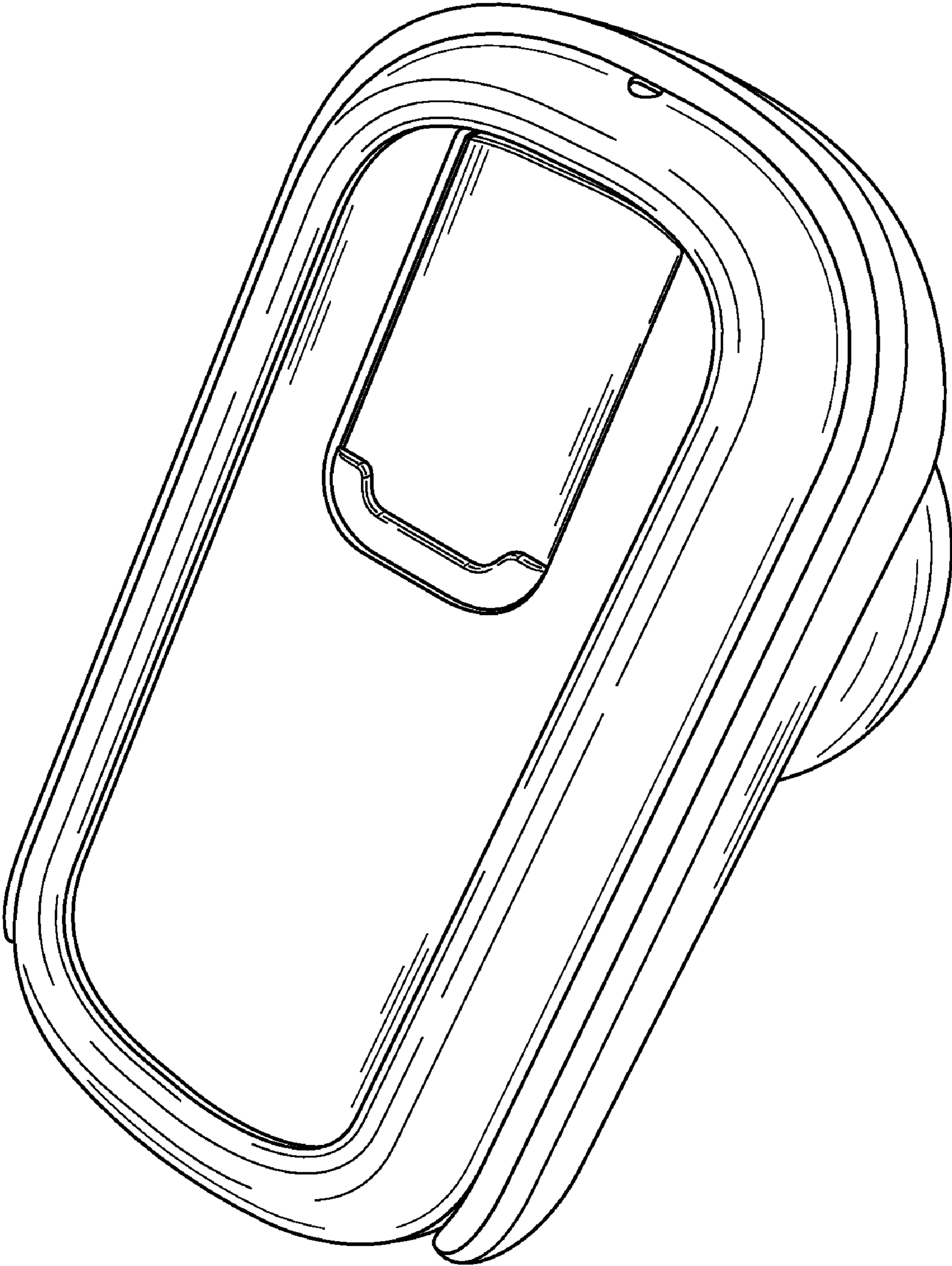


FIG. 1

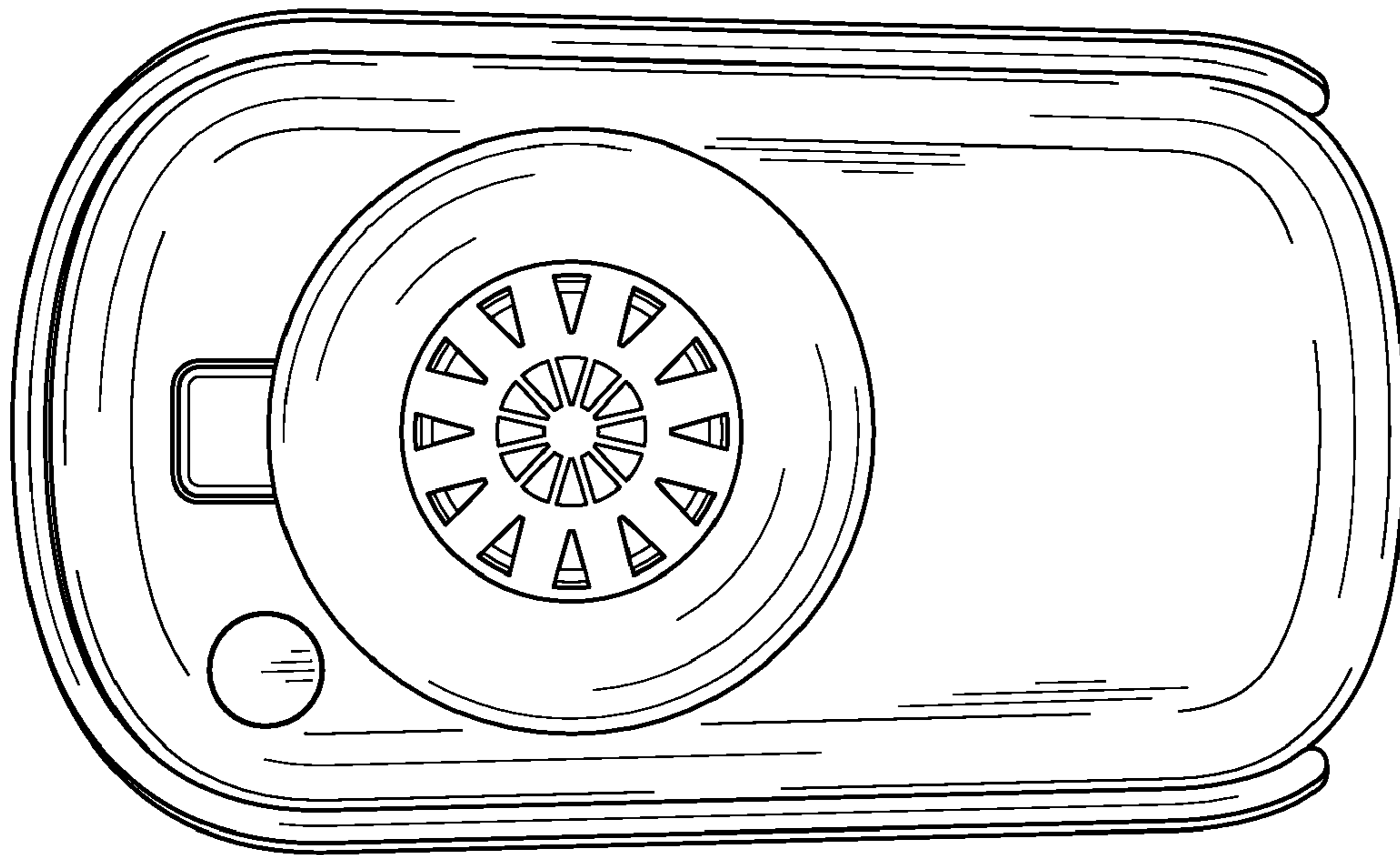


FIG. 3

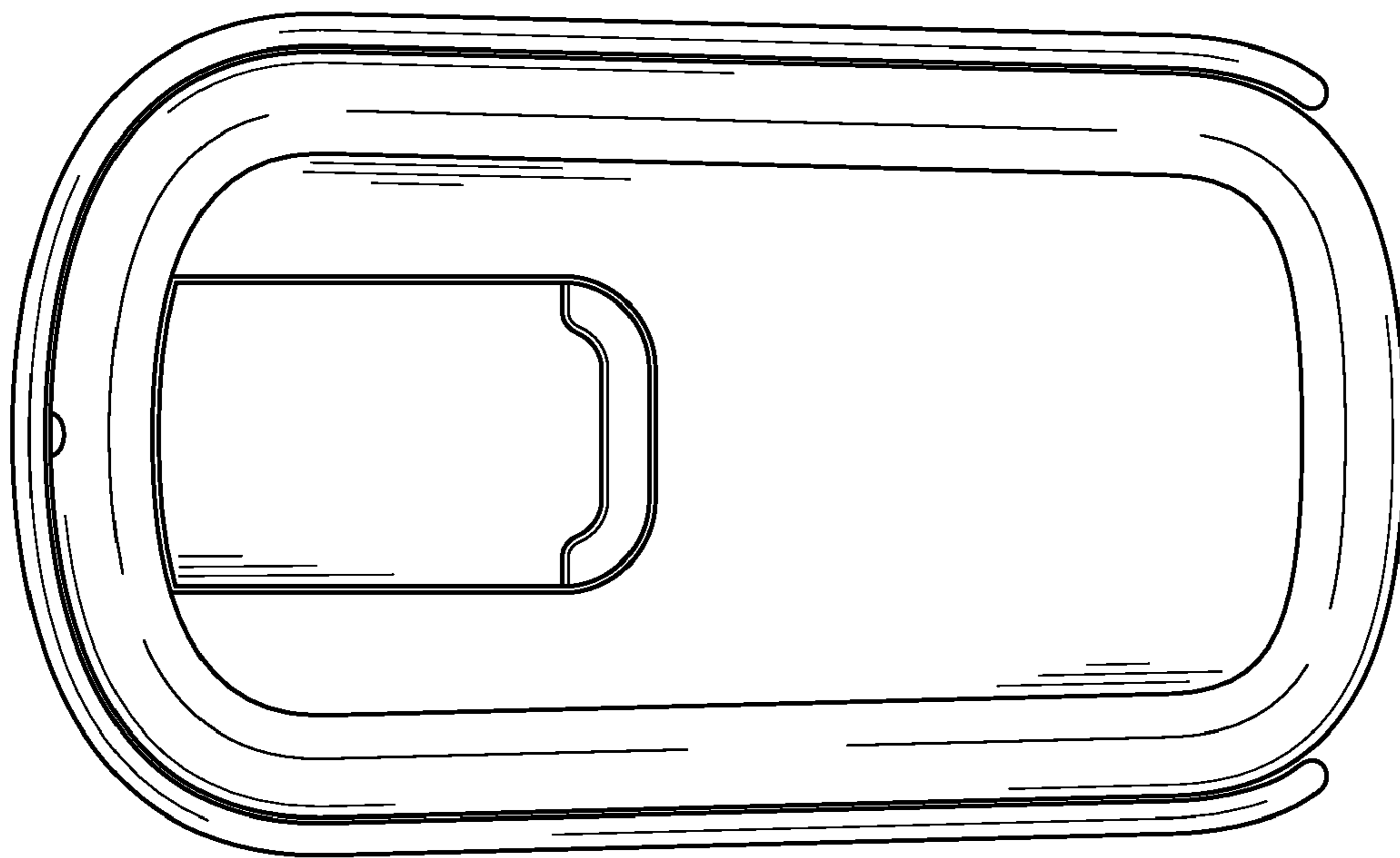


FIG. 2

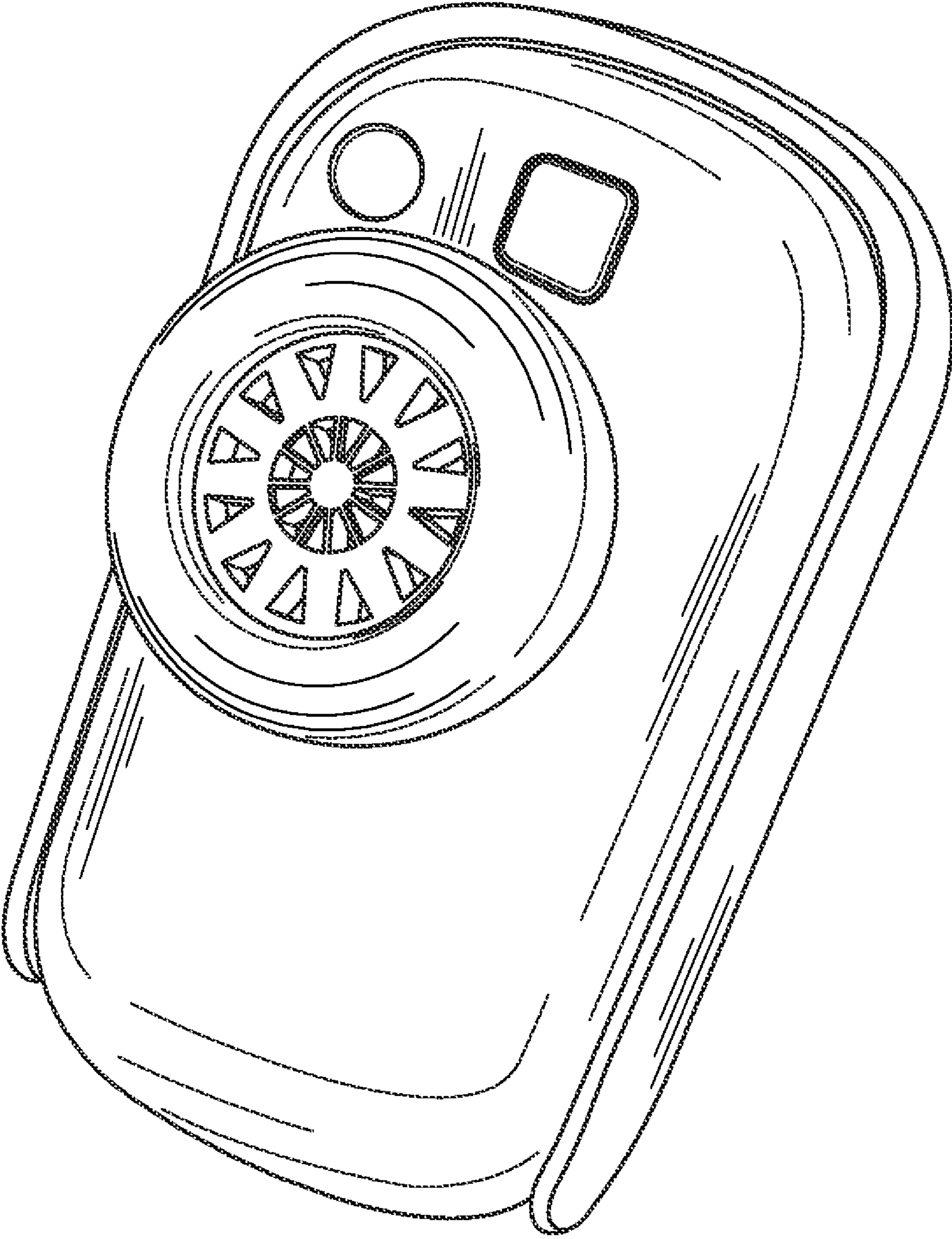


FIG. 4

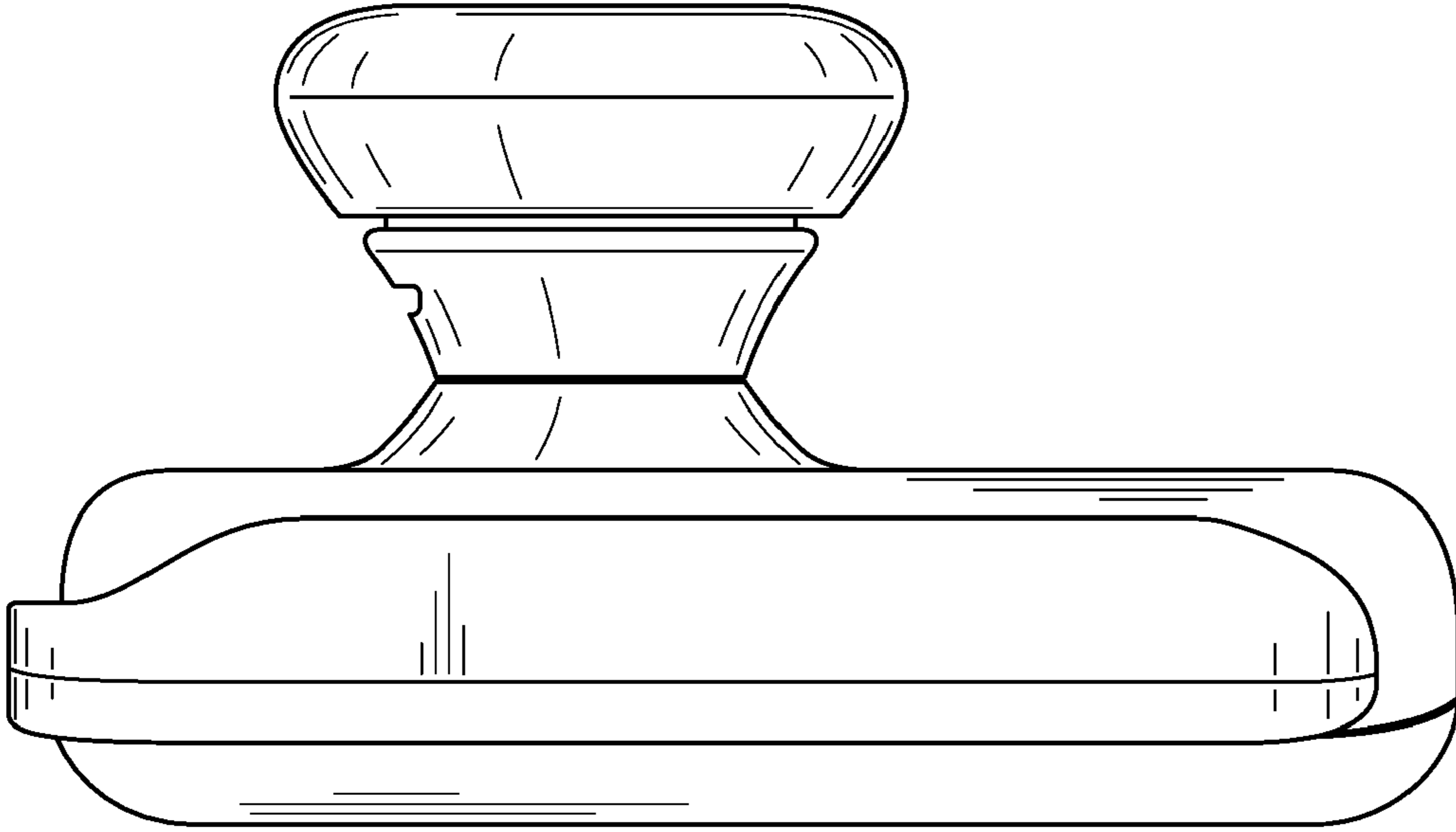


FIG. 6

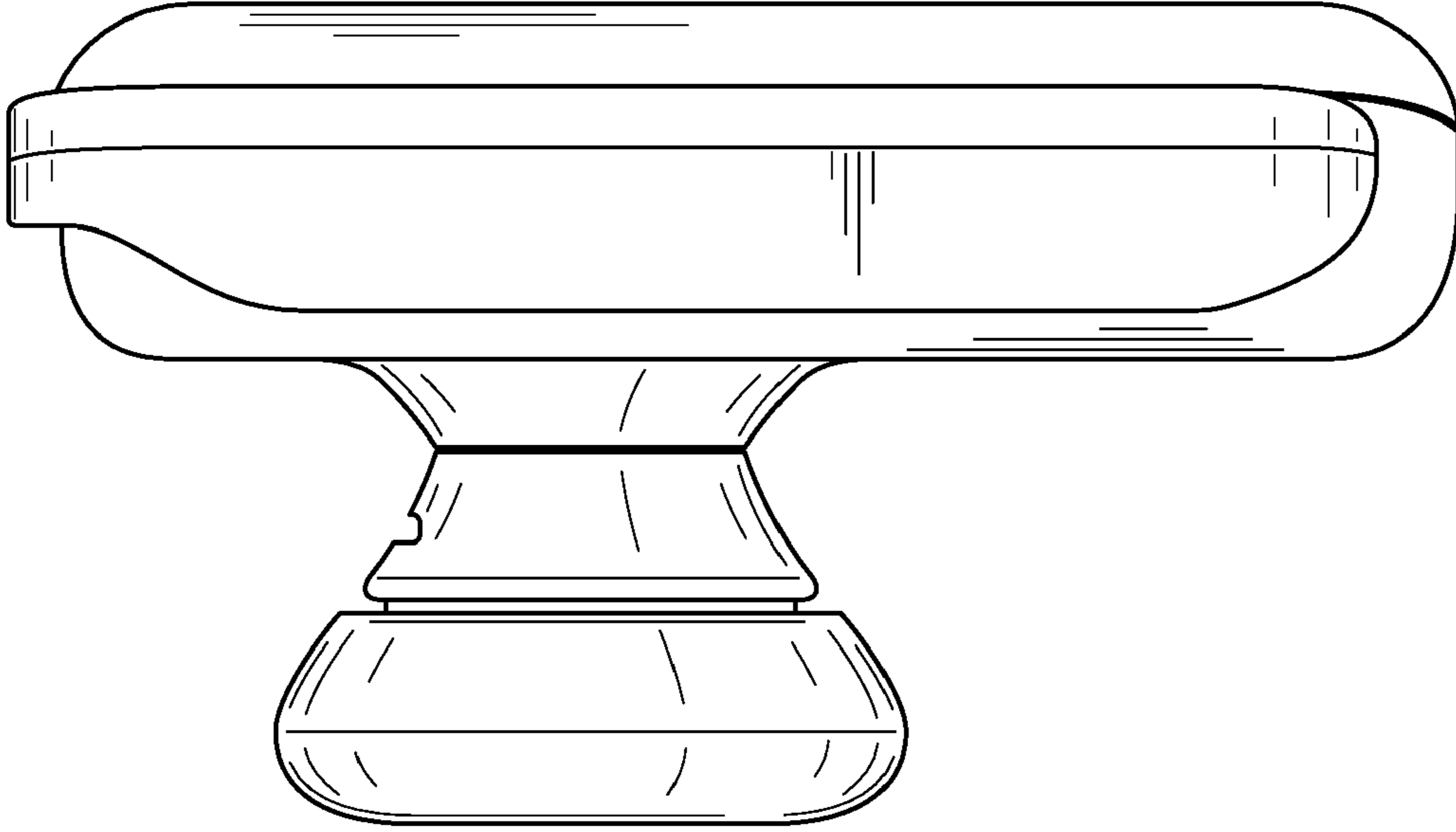


FIG. 5

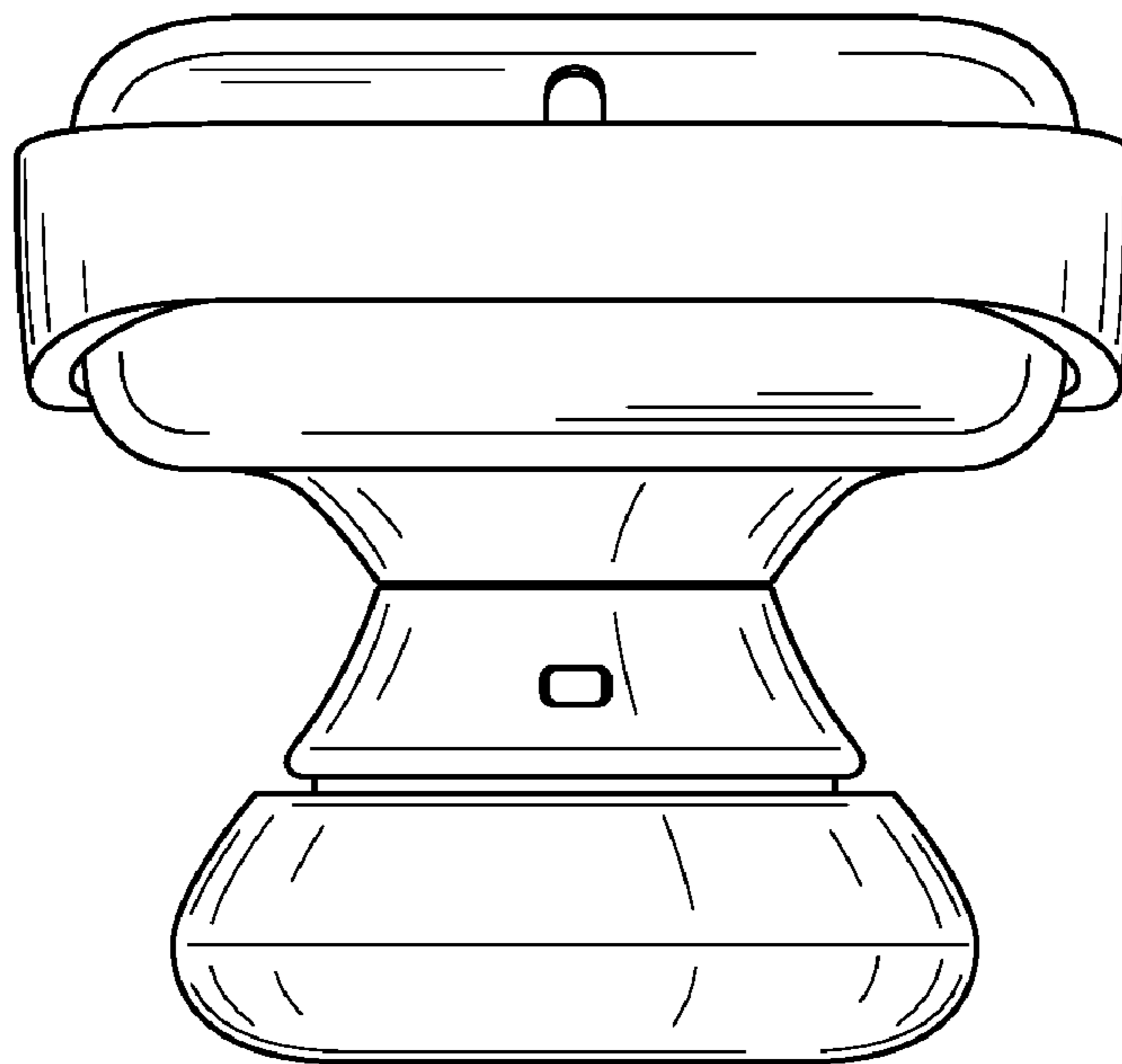


FIG. 7

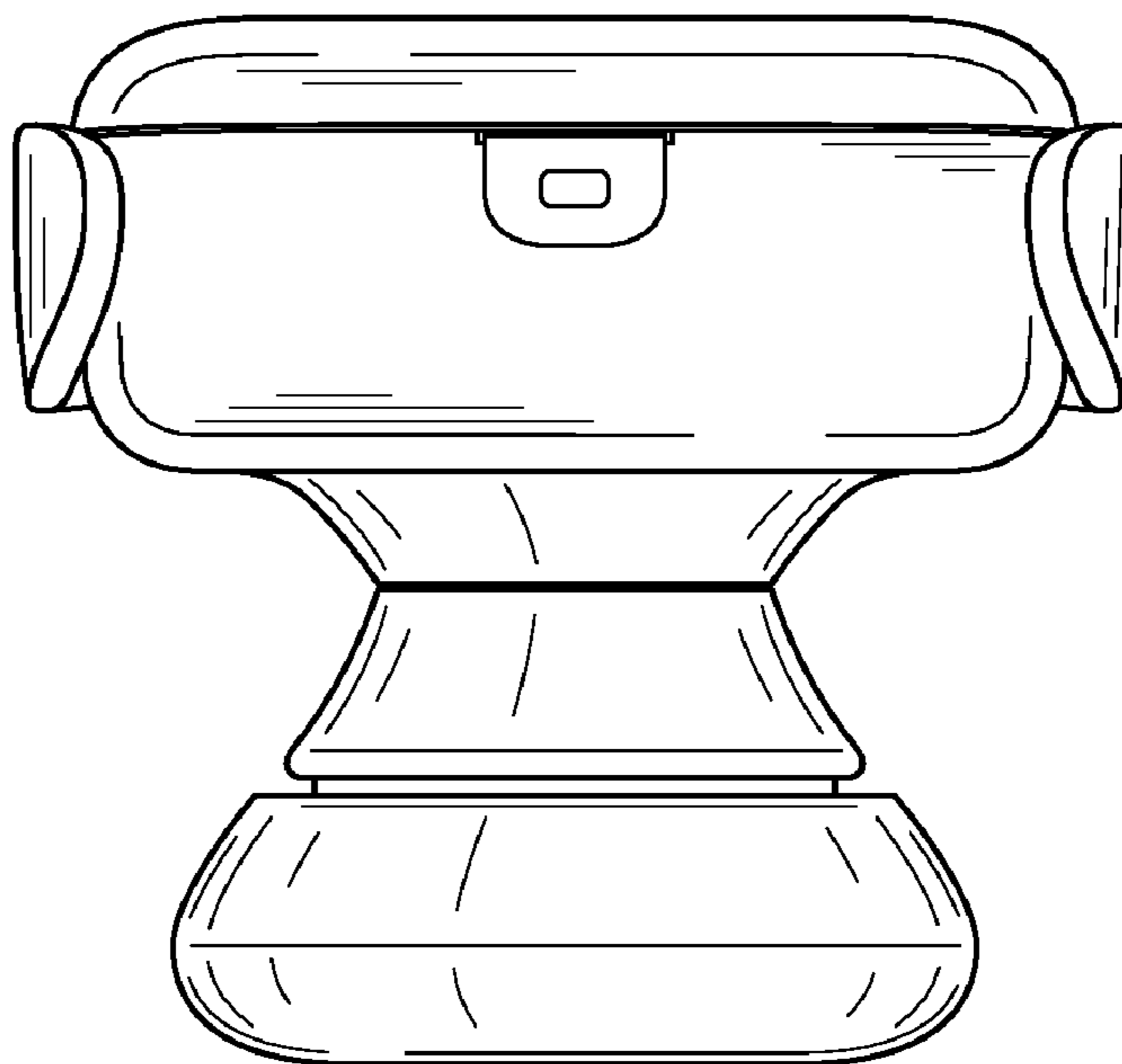


FIG. 8



FIG. 9