



US00D579924S

(12) **United States Design Patent**
Sade et al.

(10) **Patent No.:** **US D579,924 S**
(45) **Date of Patent:** **** Nov. 4, 2008**

(54) **HEADSET**

(75) Inventors: **Heli Sade**, Salo (FI); **Sami Lehtovaara**,
Masku (FI); **Silas Grant**, London (GB)

(73) Assignee: **Nokia Corporation**, Espoo (FI)

(**) Term: **14 Years**

(21) Appl. No.: **29/278,186**

(22) Filed: **Mar. 21, 2007**

(30) **Foreign Application Priority Data**

Sep. 22, 2006 (FI) M20060177

(51) **LOC (8) Cl.** **14-01**

(52) **U.S. Cl.** **D14/223**

(58) **Field of Classification Search** D14/138,
D14/188, 192, 205–206, 223; 181/128–130,
181/135; 379/430, 433; D24/174, 178; 381/330,
381/381

See application file for complete search history.

(56) **References Cited**

U.S. PATENT DOCUMENTS

- 1,587,643 A * 6/1926 Harman 181/135
- D481,374 S * 10/2003 Lee D14/188
- D509,210 S * 9/2005 Skulley et al. D14/205
- D538,268 S * 3/2007 Gibson et al. D14/223
- D538,792 S * 3/2007 Kim et al. D14/223
- D550,215 S * 9/2007 Udagawa et al. D14/223
- D553,613 S * 10/2007 Sade et al. D14/223

D557,240 S * 12/2007 Lee D14/138

FOREIGN PATENT DOCUMENTS

WO DM/068 374 1/2007

* cited by examiner

Primary Examiner—Paula A Greene

(74) *Attorney, Agent, or Firm*—Banner & Witcoff, Ltd.

(57) **CLAIM**

The ornamental design for a headset, as shown and described.

DESCRIPTION

FIG. 1 is a front view of a headset showing our new design;

FIG. 2 is a perspective front view thereof;

FIG. 3 is a perspective rear view thereof;

FIG. 4 is a rear view thereof;

FIG. 5 is a right side view thereof;

FIG. 6 is a left side view thereof;

FIG. 7 is a top view thereof;

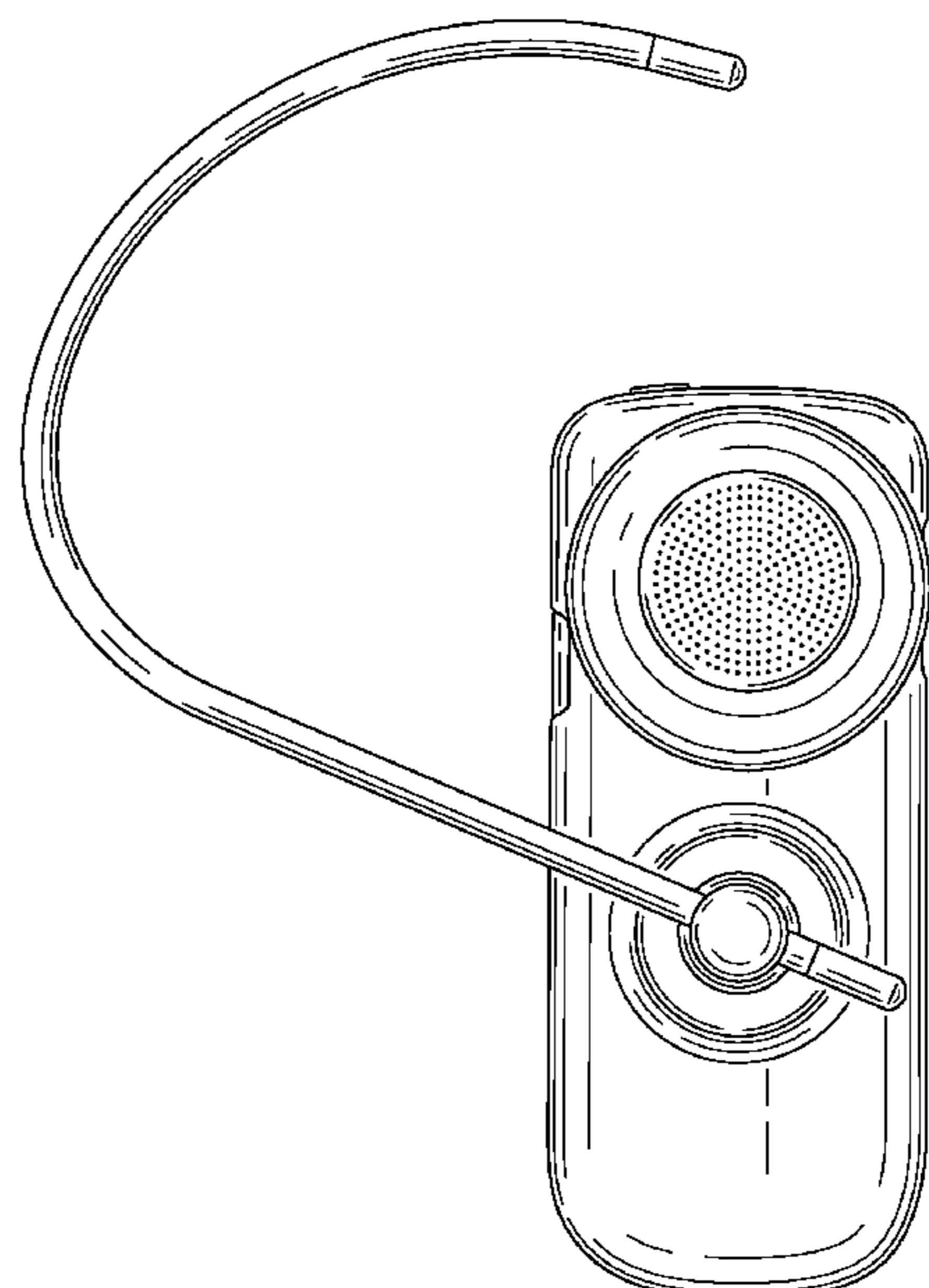
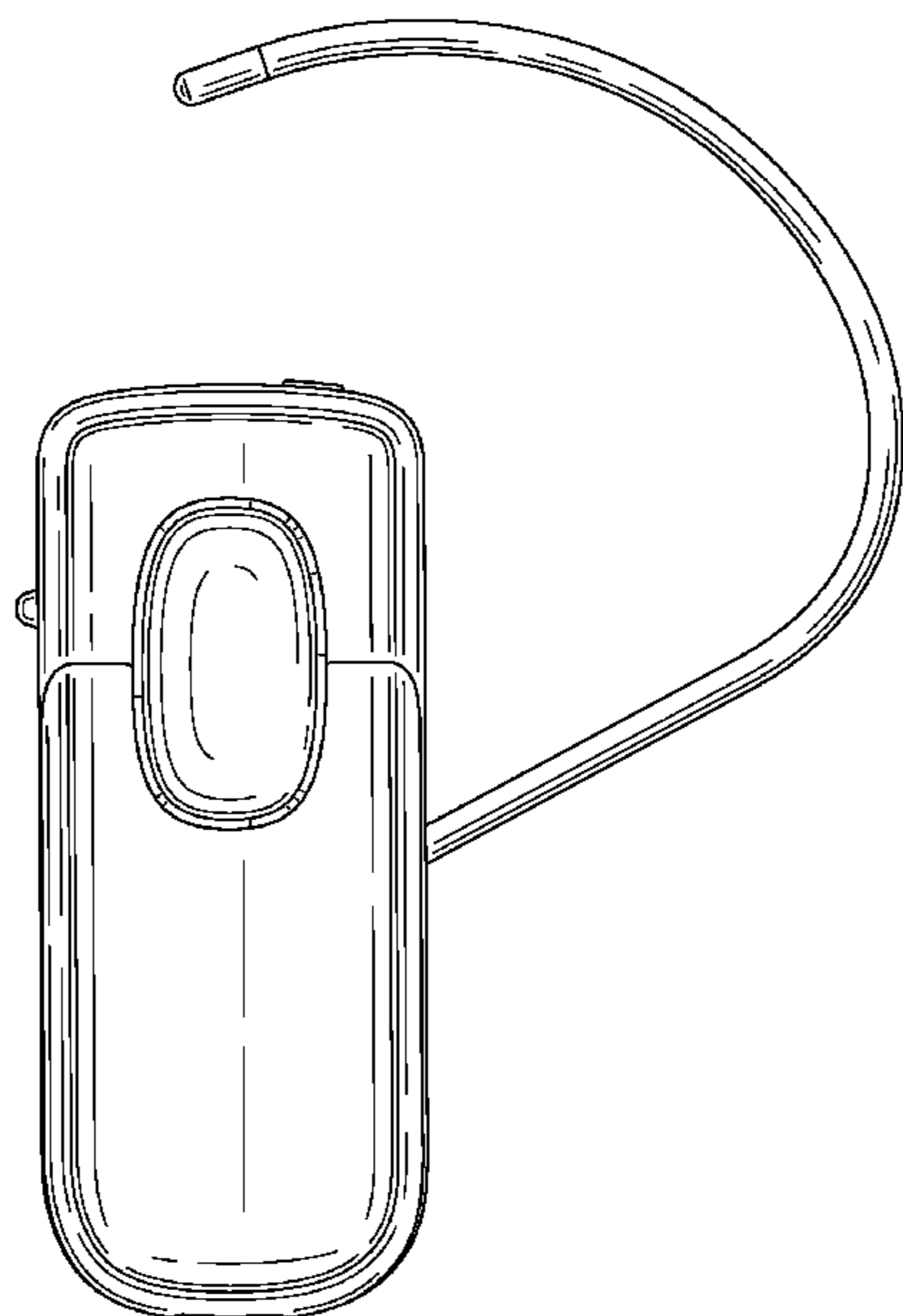
FIG. 8 is a bottom view thereof;

FIG. 9 is a perspective front view of the headset from FIGS. 1–8 with a microphone extension shown in an alternate configuration;

FIG. 10 is a perspective front view of the headset from FIGS. 1–8 with the microphone extension shown in a second alternate configuration; and,

FIG. 11 is a perspective bottom view of the headset from FIGS. 1–8.

1 Claim, 6 Drawing Sheets



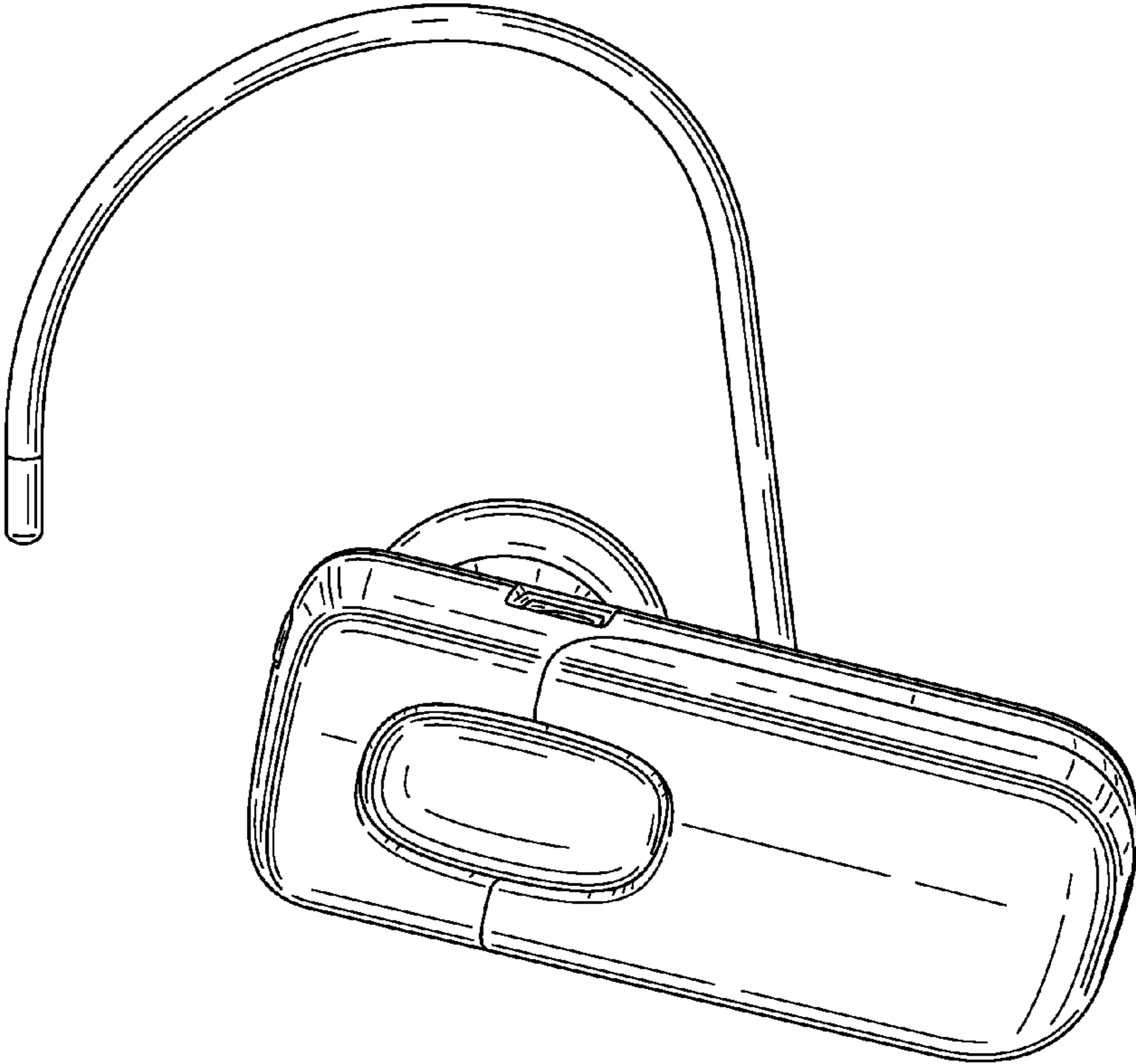


FIG. 1

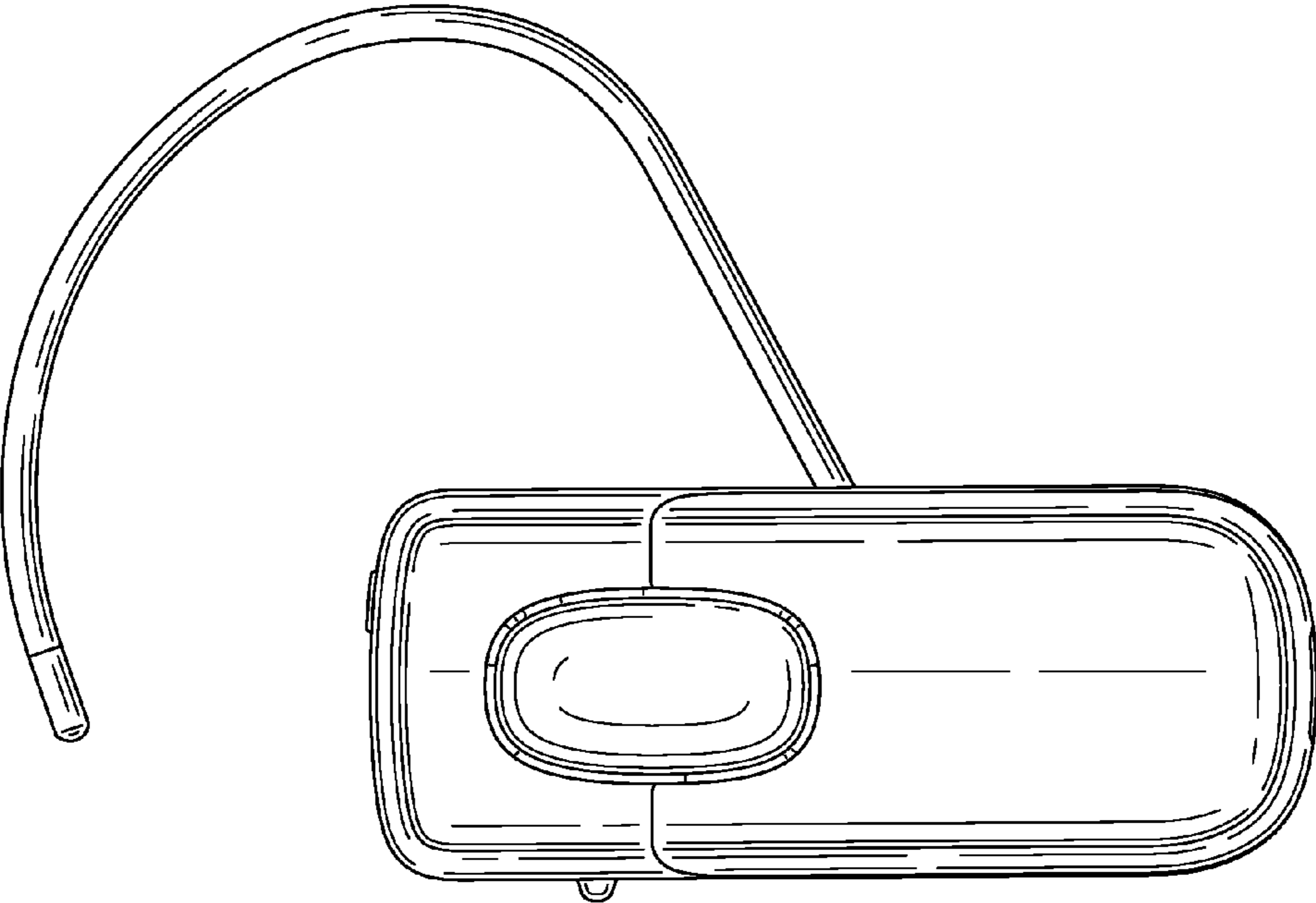


FIG. 2

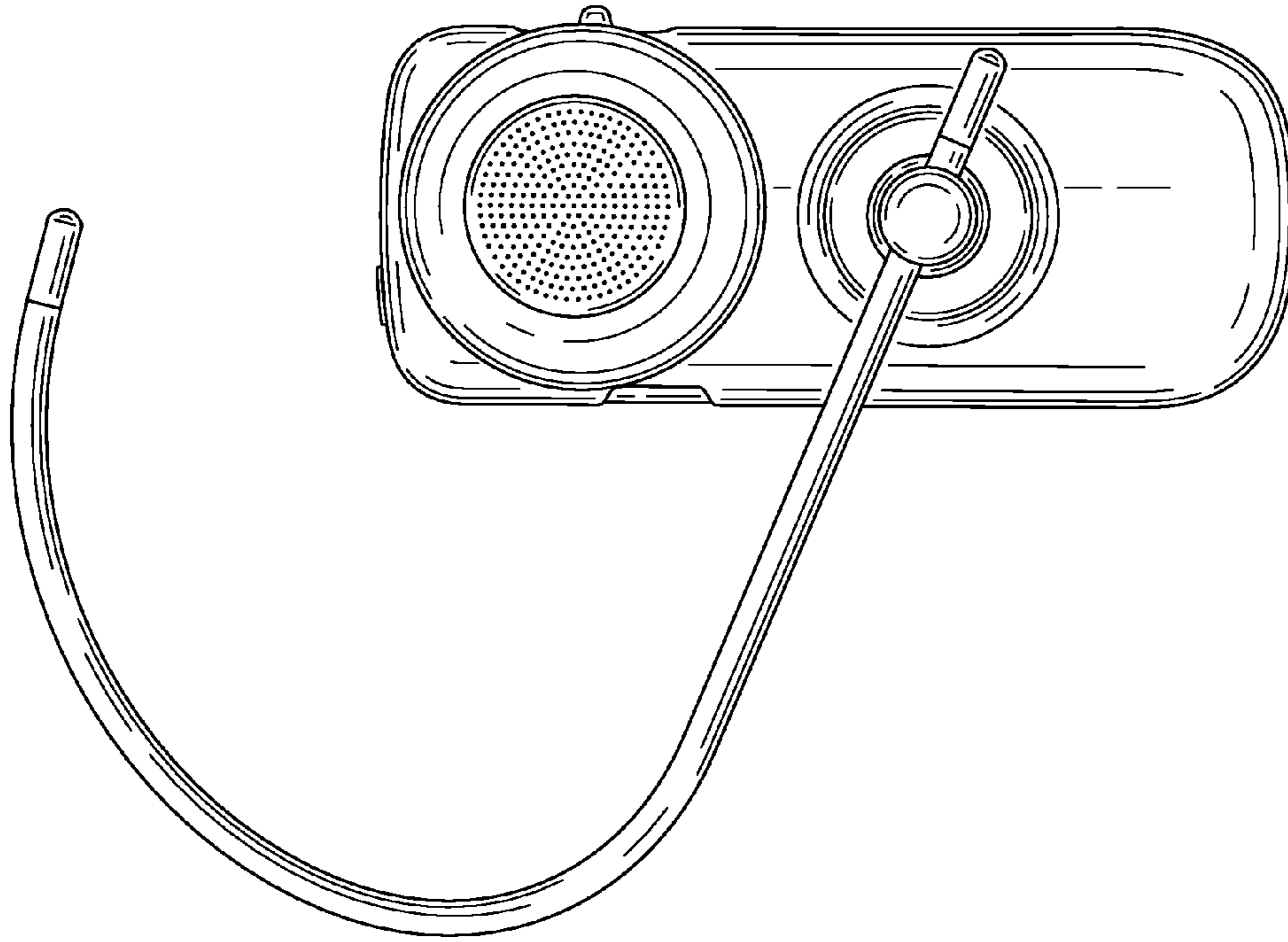


FIG. 4

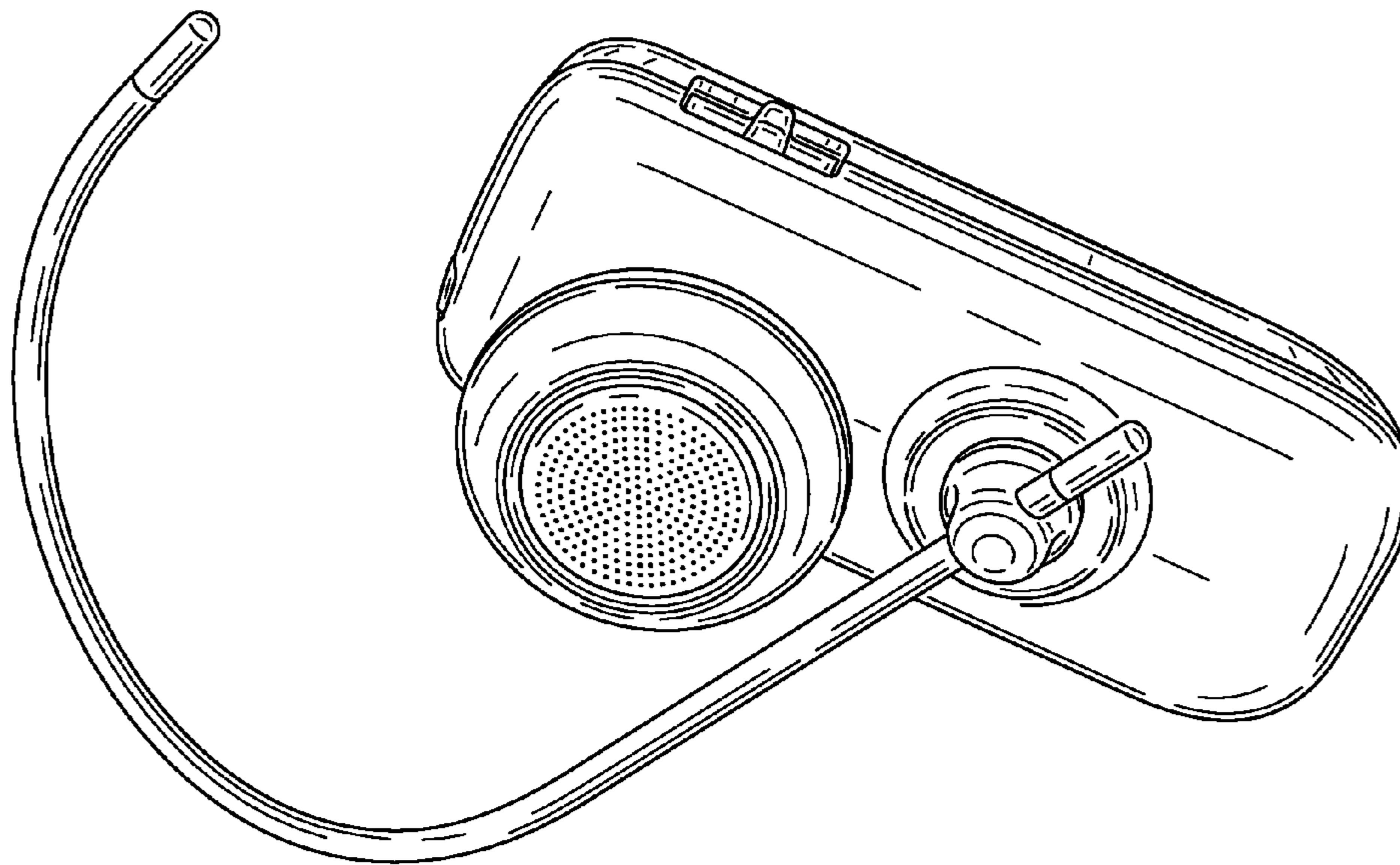


FIG. 3

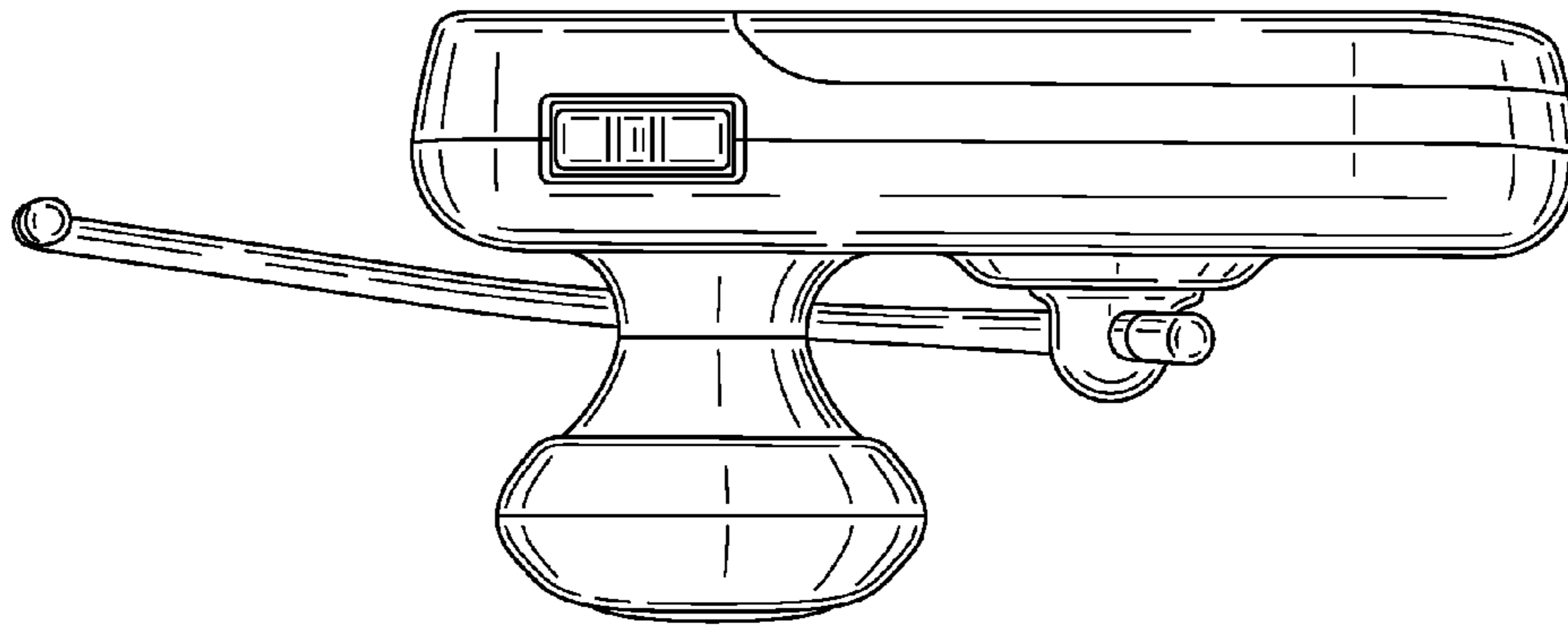


FIG. 6

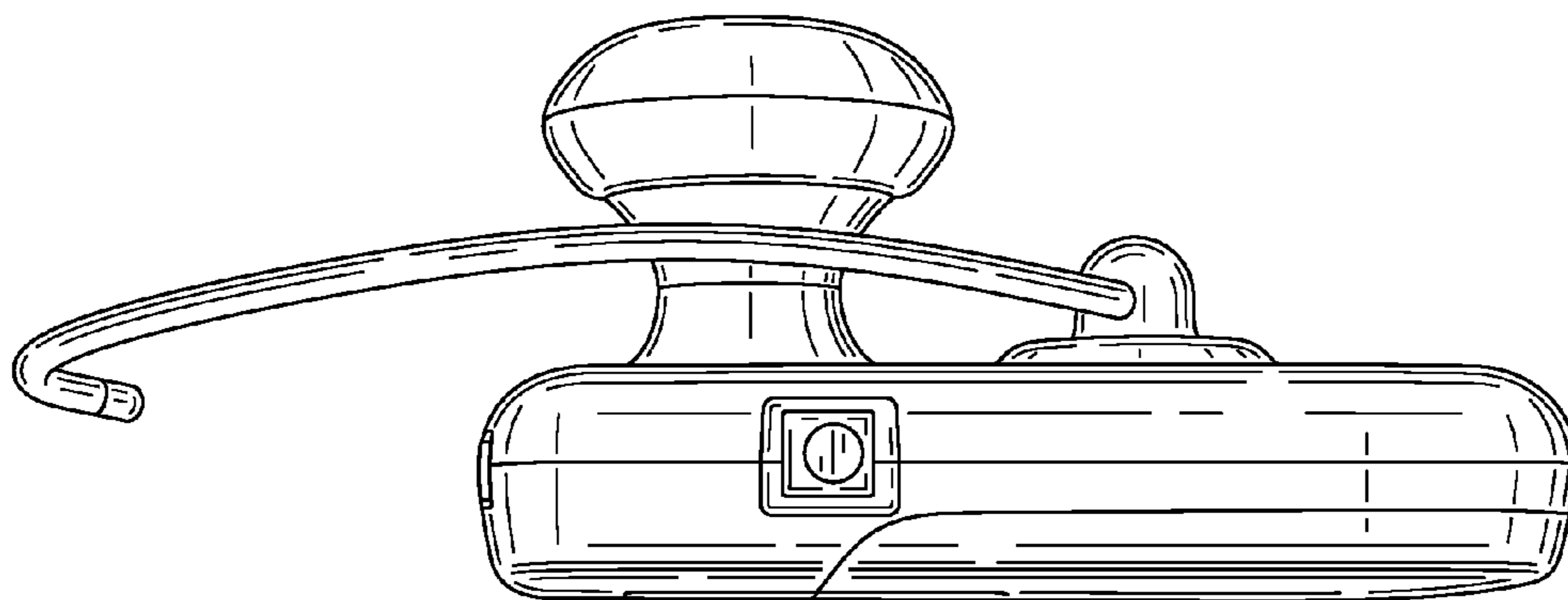


FIG. 5

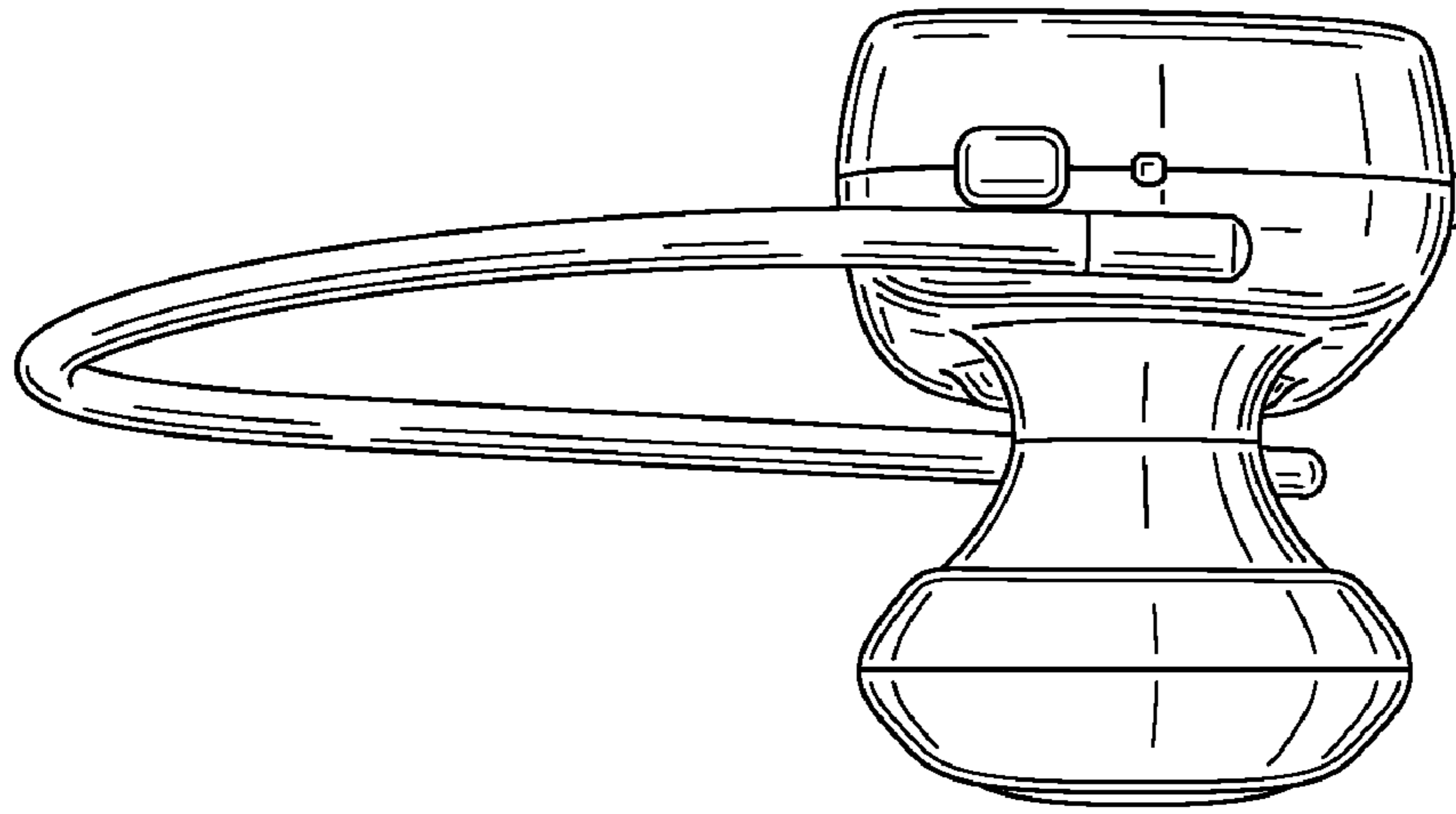


FIG. 7

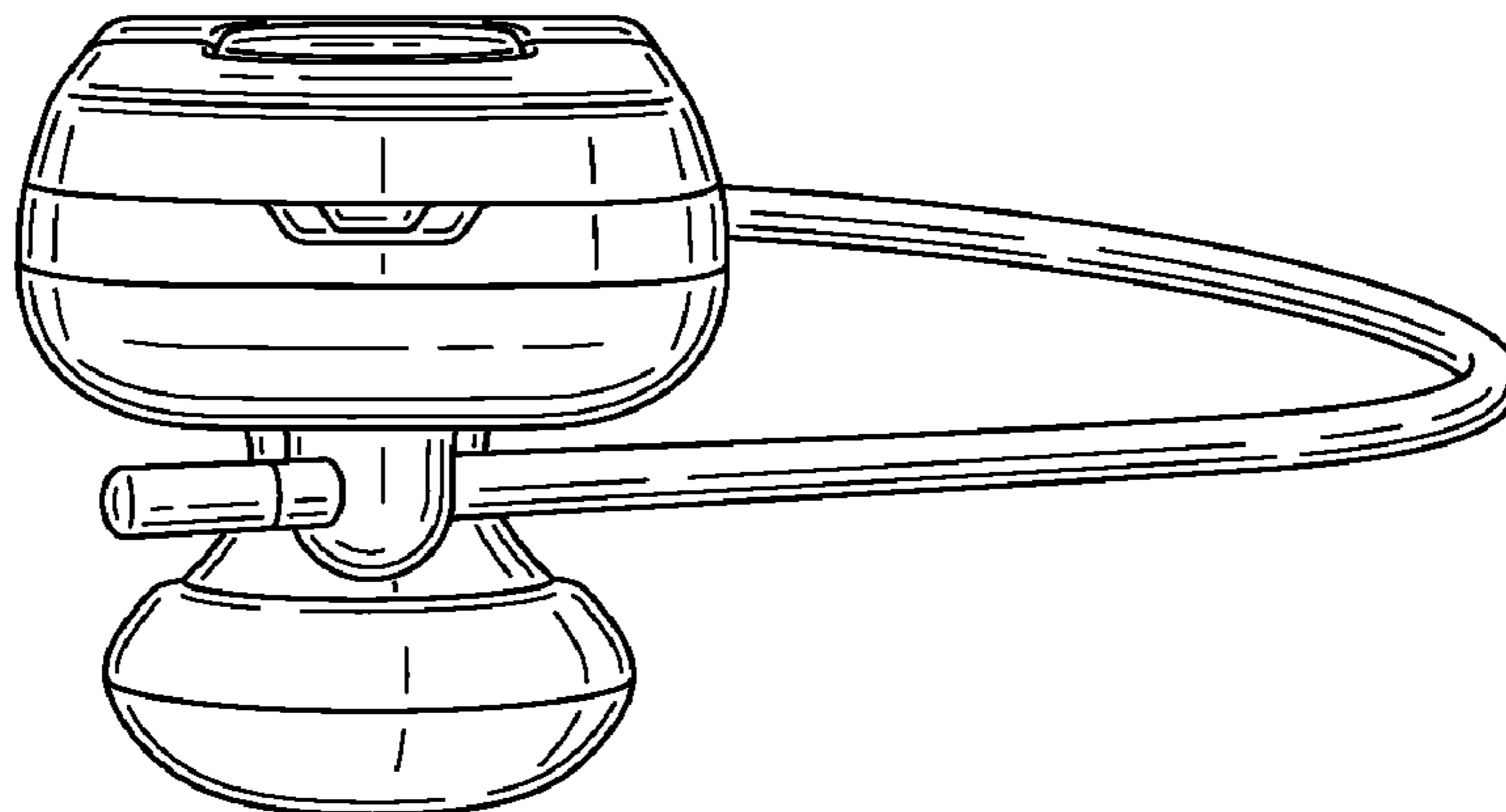


FIG. 8

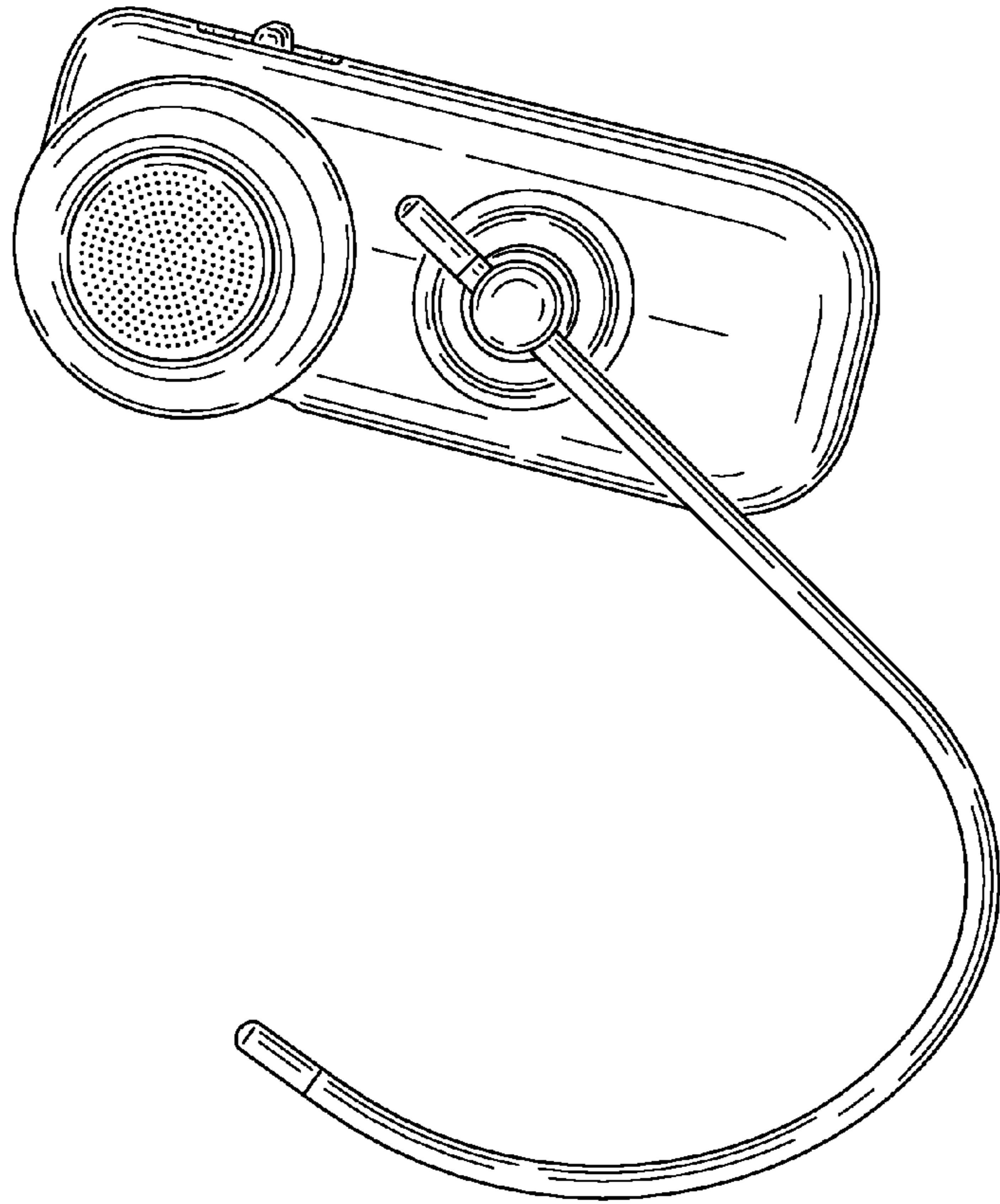


FIG. 10

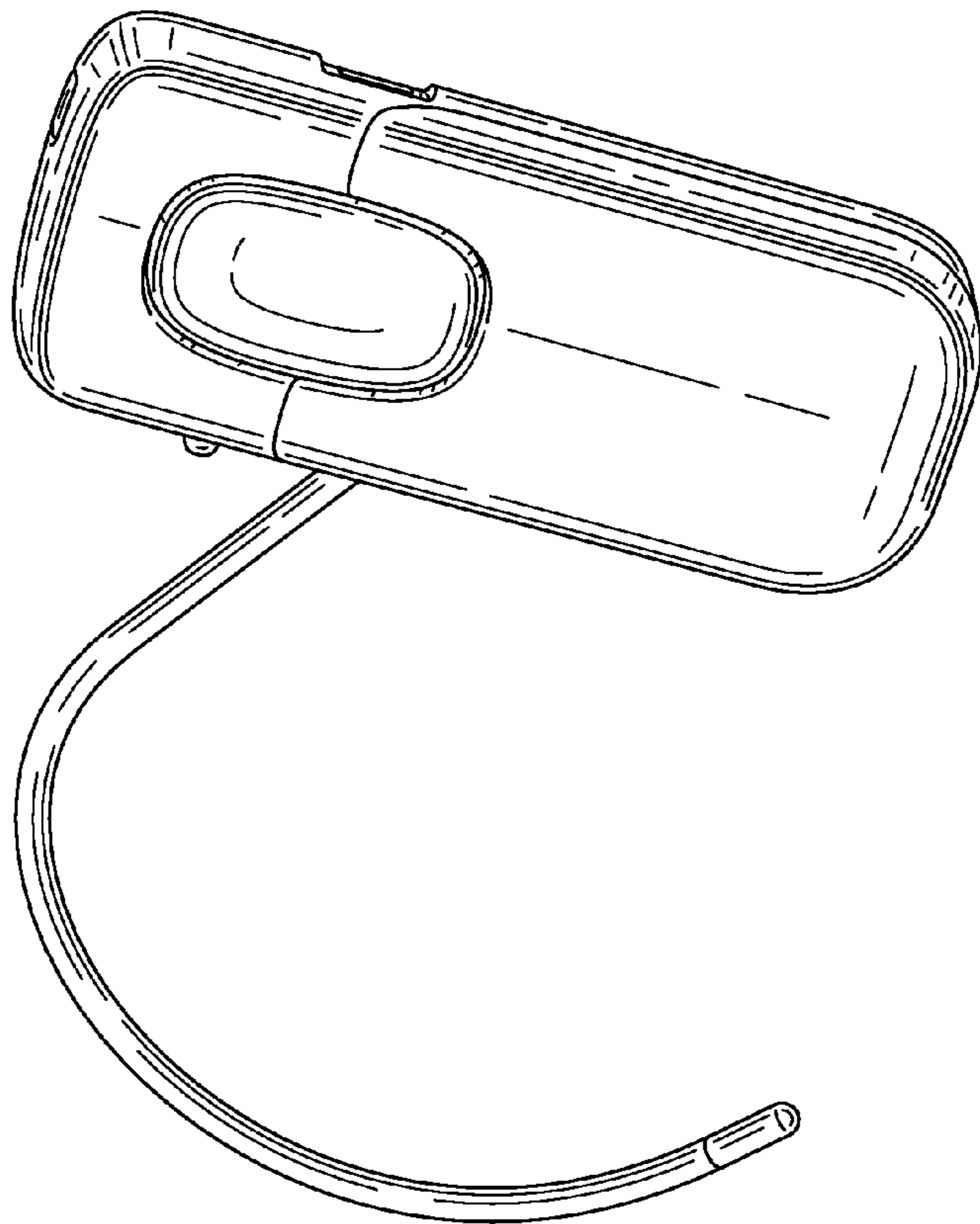


FIG. 9

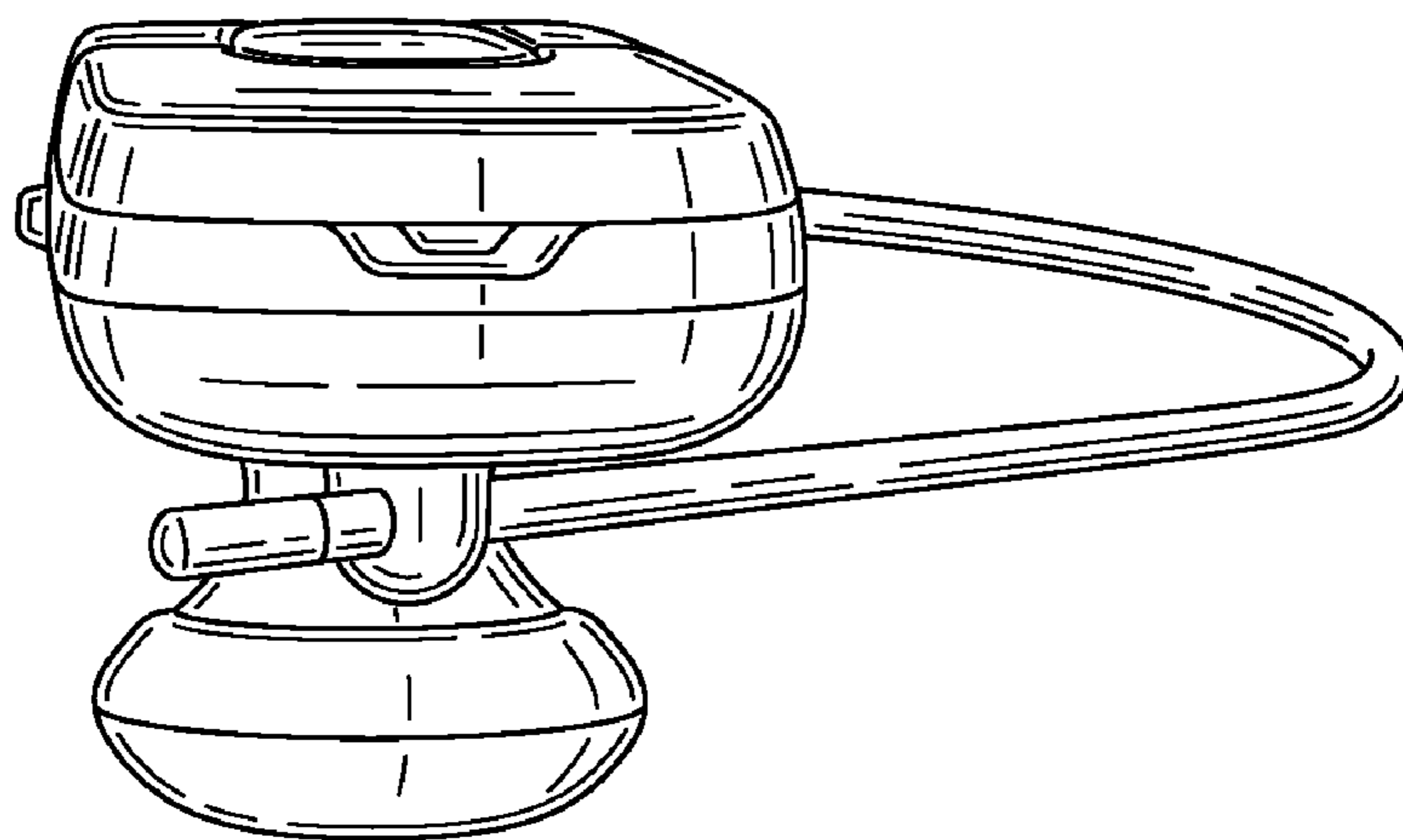


FIG. 11