



US00D579923S

(12) **United States Design Patent**
Andre et al.

(10) **Patent No.:** **US D579,923 S**
(45) **Date of Patent:** **** Nov. 4, 2008**

(54) **EAR PIECE**

4,588,867 A 5/1986 Konomi

(75) Inventors: **Bartley K. Andre**, Menlo Park, CA (US); **Daniel J. Coster**, San Francisco, CA (US); **Daniele De Iuliis**, San Francisco, CA (US); **Richard P. Howarth**, San Francisco, CA (US); **Jonathan P. Ive**, San Francisco, CA (US); **Duncan Robert Kerr**, San Francisco, CA (US); **Shin Nishibori**, San Francisco, CA (US); **Matthew Dean Rohrbach**, San Francisco, CA (US); **Peter Russell-Clarke**, San Francisco, CA (US); **Douglas B. Satzger**, Menlo Park, CA (US); **Calvin Q. Seid**, Palo Alto, CA (US); **Christopher J. Stringer**, Portola Valley, CA (US); **Eugene Antony Whang**, San Francisco, CA (US); **Rico Zorkendorfer**, San Francisco, CA (US)

(Continued)

FOREIGN PATENT DOCUMENTS

CN 20053005843.0 4/2005

(Continued)

OTHER PUBLICATIONS

English Translation of a search report for Taiwan Patent Application No. 096303170, dated Mar. 25, 2008.

Primary Examiner—Paula A Greene
(74) *Attorney, Agent, or Firm*—Sterne, Kessler, Goldstein & Fox P.L.L.C.

(73) Assignee: **Apple Inc.**, Cupertino, CA (US)

(**) Term: **14 Years**

(21) Appl. No.: **29/270,881**

(22) Filed: **Jan. 5, 2007**

(51) **LOC (8) Cl.** **14-01**

(52) **U.S. Cl.** **D14/223; D14/205**

(58) **Field of Classification Search** D14/138,
D14/188, 192, 205, 206, 223; 181/129–130;
379/430, 433.01, 433.02, 433.03; 381/374–381,
381/385; 455/575.2

See application file for complete search history.

(56) **References Cited**

U.S. PATENT DOCUMENTS

1,650,039 A 11/1927 Price
2,325,590 A 7/1943 Carlisle et al.
D153,577 S 5/1949 Bland
D270,634 S 9/1983 Ungar
D278,234 S 4/1985 Saito

(57) **CLAIM**

We claim the ornamental design for an ear piece, substantially as shown and described.

DESCRIPTION

FIG. 1 is a perspective view of an ear piece in accordance with the present design. The ear piece can, for example, be a wireless ear piece for use with a cellular phone (e.g., Bluetooth).

FIG. 2 is a front view for the ear piece.

FIG. 3 is a rear view for the ear piece.

FIG. 4 is a top view for the ear piece.

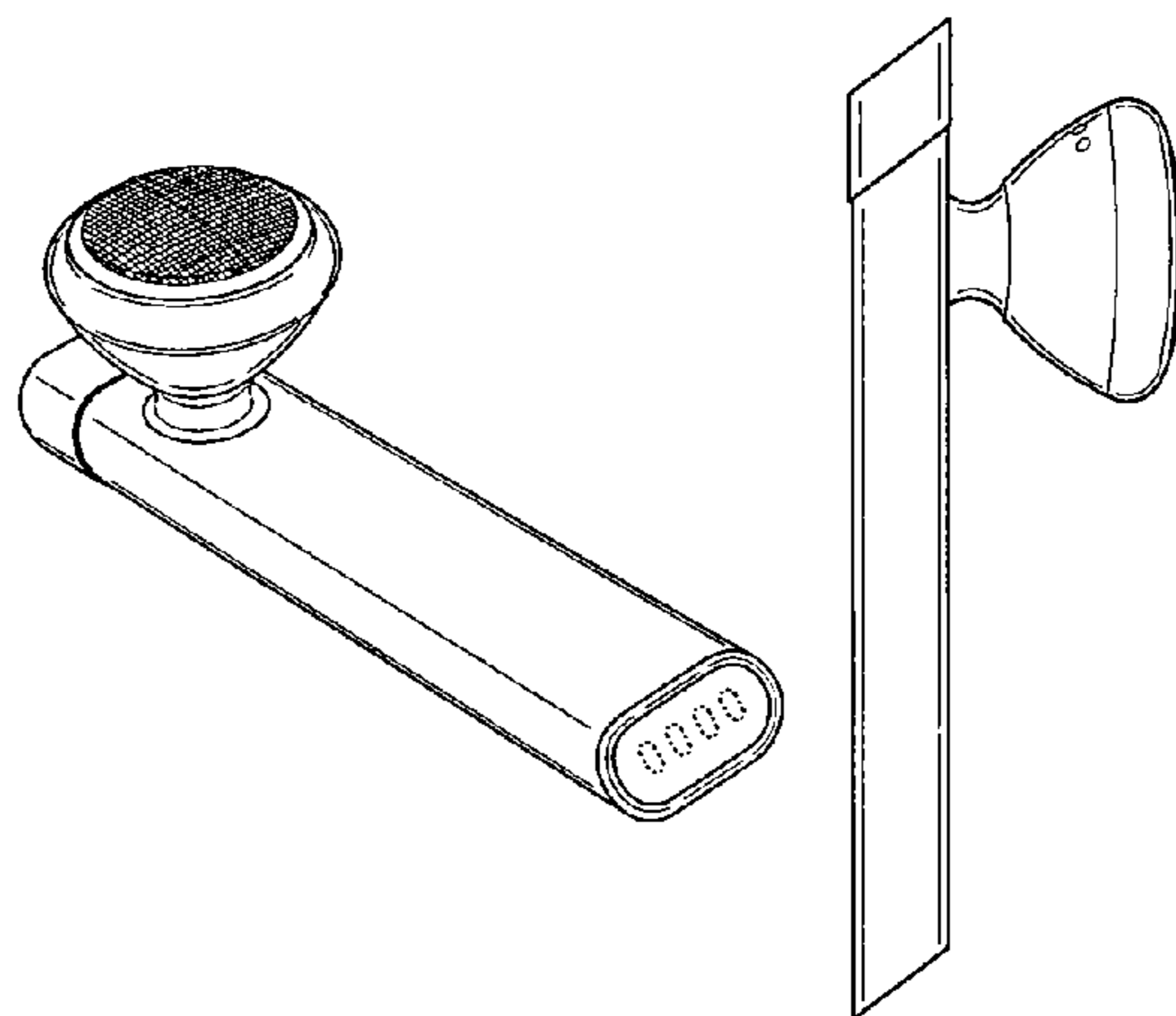
FIG. 5 is a bottom view for the ear piece.

FIG. 6 is a right side view of the for the ear piece; and,

FIG. 7 is a left side view for the ear piece.

The features shown in broken lines in the various Figures are for illustrating environmental structure and form no part of the claimed design.

1 Claim, 2 Drawing Sheets



US D579,923 S

Page 2

U.S. PATENT DOCUMENTS

4,646,872 A 3/1987 Kamon et al.
 4,677,675 A 6/1987 Killion et al.
 D299,344 S 1/1989 Stevens
 4,893,344 A 1/1990 Tragardh et al.
 4,942,617 A 7/1990 Boylan
 D311,007 S 10/1990 Daido
 D316,550 S 4/1991 Sogabe
 D318,670 S 7/1991 Taniguchi et al.
 D318,864 S 8/1991 Daido et al.
 D318,865 S 8/1991 Ichikawa
 D326,655 S 6/1992 Iribe
 D331,057 S 11/1992 Isonaga
 5,185,802 A 2/1993 Stanton
 D334,043 S 3/1993 Taniguchi et al.
 D337,118 S 7/1993 Seikita
 D337,305 S 7/1993 Ross et al.
 D356,293 S 3/1995 Riley et al.
 D391,572 S 3/1998 Lee
 D410,079 S 5/1999 Falco et al.
 D430,139 S 8/2000 Peters et al.
 6,122,369 A 9/2000 Hwang et al.
 6,122,526 A 9/2000 Parulski et al.
 D432,523 S 10/2000 Grinkus et al.
 D438,525 S 3/2001 Katayama
 D441,735 S 5/2001 Katayama
 D446,499 S 8/2001 Andre et al.
 D454,110 S 3/2002 Andre et al.
 6,392,882 B1 5/2002 Chen et al.
 D469,753 S 2/2003 Andre et al.
 D473,207 S 4/2003 Tanio
 D503,409 S 3/2005 Wong et al.

6,868,284 B2 * 3/2005 Bae 455/575.2
 D506,476 S 6/2005 Andre et al.
 D506,744 S 6/2005 Andre et al.
 6,922,476 B2 * 7/2005 Nassimi 381/380
 D515,070 S 2/2006 Andre et al.
 D515,545 S 2/2006 Griffin
 D516,579 S 3/2006 Nakamura
 7,013,164 B2 3/2006 Lin
 D521,936 S 5/2006 Novotney et al.
 D527,723 S 9/2006 Andre et al.
 D533,540 S * 12/2006 Murray D14/205
 D534,184 S 12/2006 Leija et al.
 D534,545 S 1/2007 Leija et al.
 D537,074 S 2/2007 Andre et al.
 D538,271 S * 3/2007 Kim et al. D14/223
 D539,787 S * 4/2007 Kim et al. D14/223
 D539,814 S 4/2007 Andre et al.
 D542,267 S * 5/2007 Cha et al. D14/206
 D550,215 S * 9/2007 Udagawa et al. D14/223
 D551,250 S 9/2007 Andre et al.
 D552,596 S * 10/2007 Christopher D14/205
 D559,836 S * 1/2008 Lee D14/223
 D562,309 S * 2/2008 Choi et al. D14/223
 7,362,876 B2 * 4/2008 Tsai 381/380

FOREIGN PATENT DOCUMENTS

CN	3513646	3/2006
CN	3543434	7/2006
CN	3549064	8/2006
JP	D1121650	9/2001

* cited by examiner

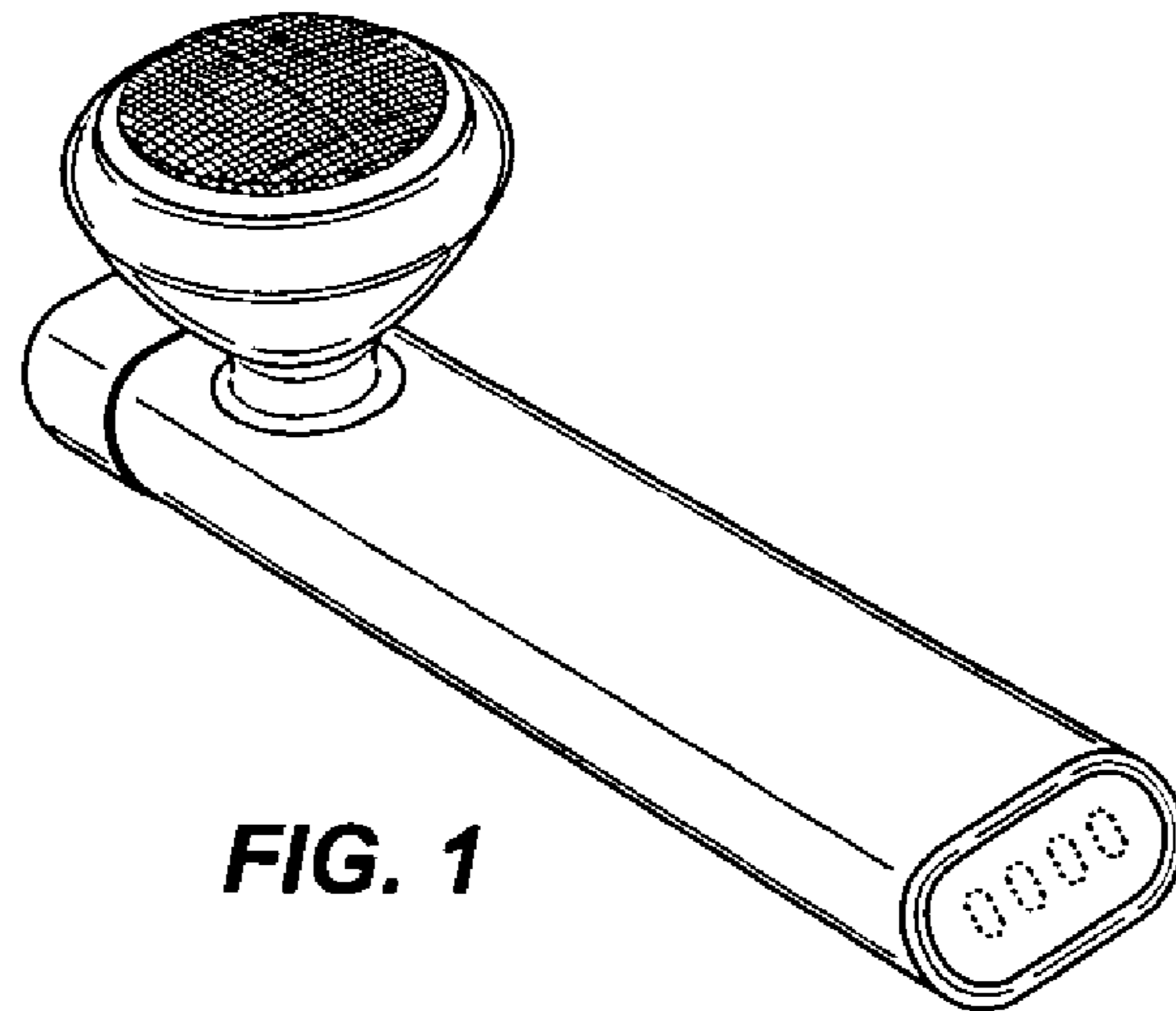


FIG. 1

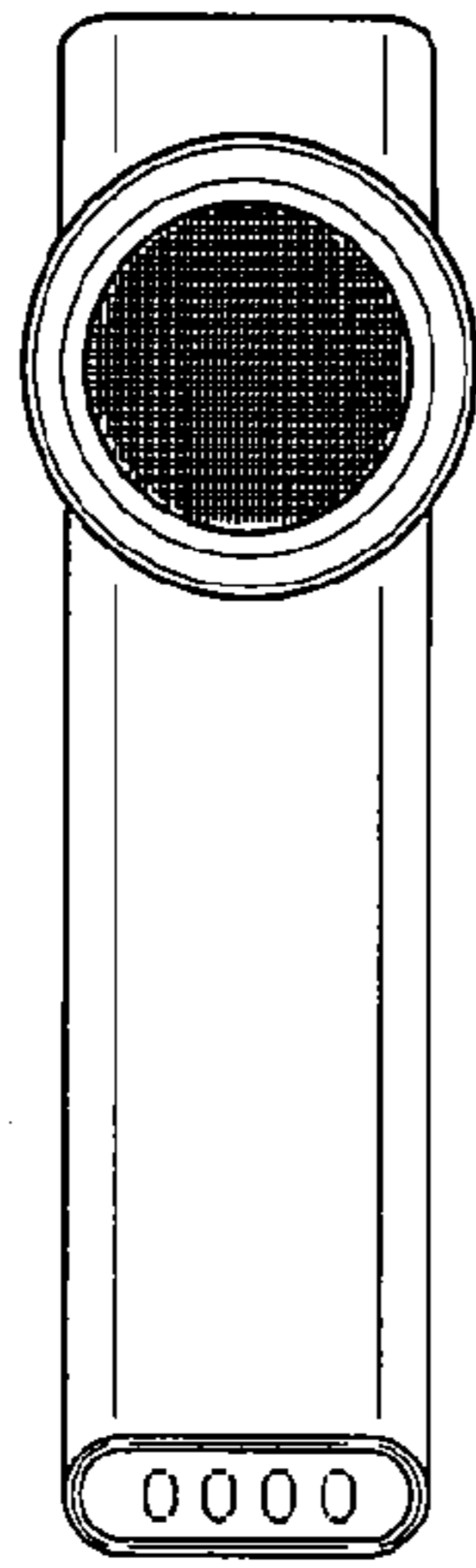


FIG. 2

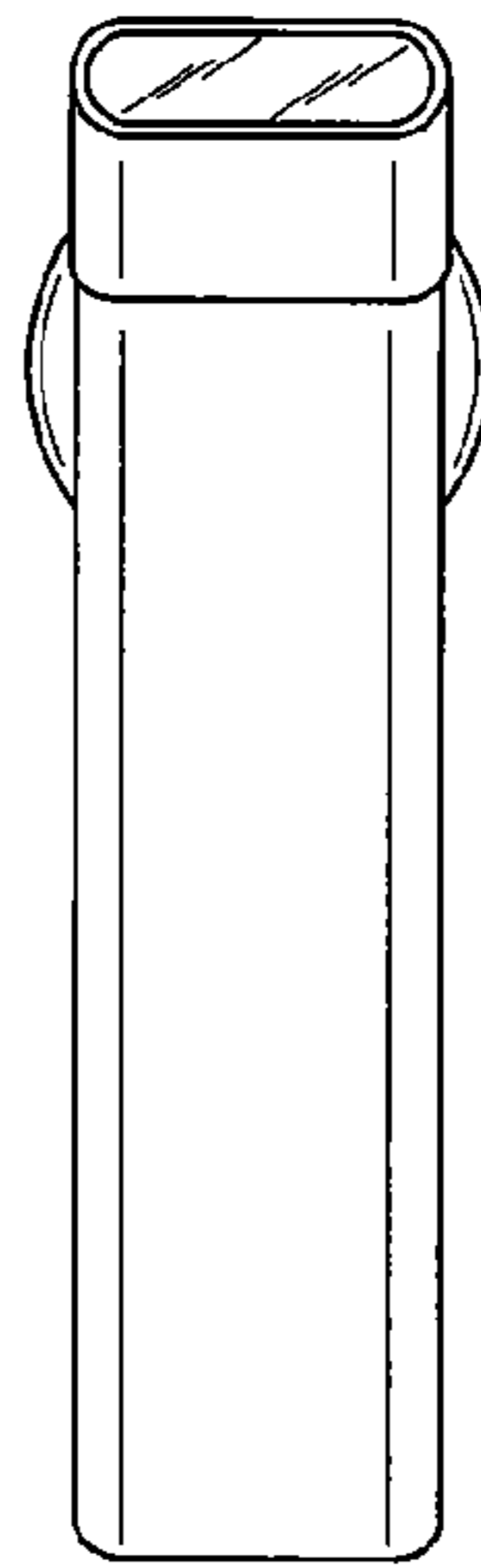


FIG. 3

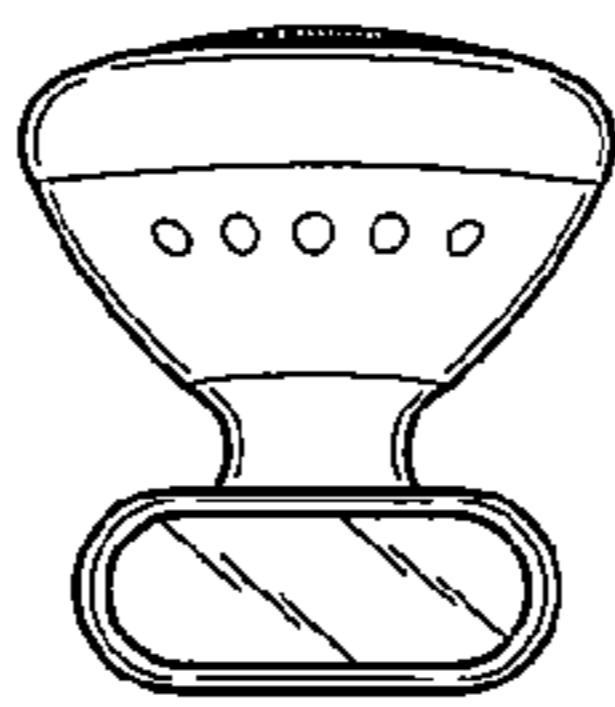


FIG. 4

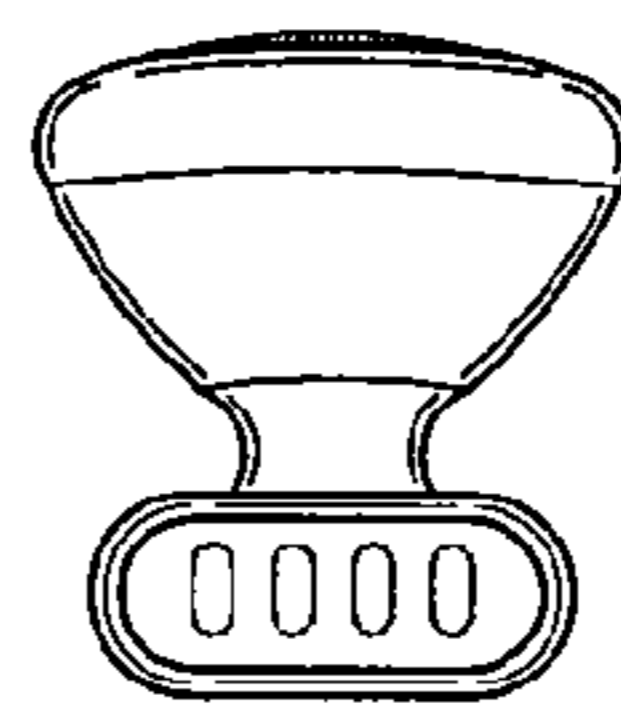


FIG. 5

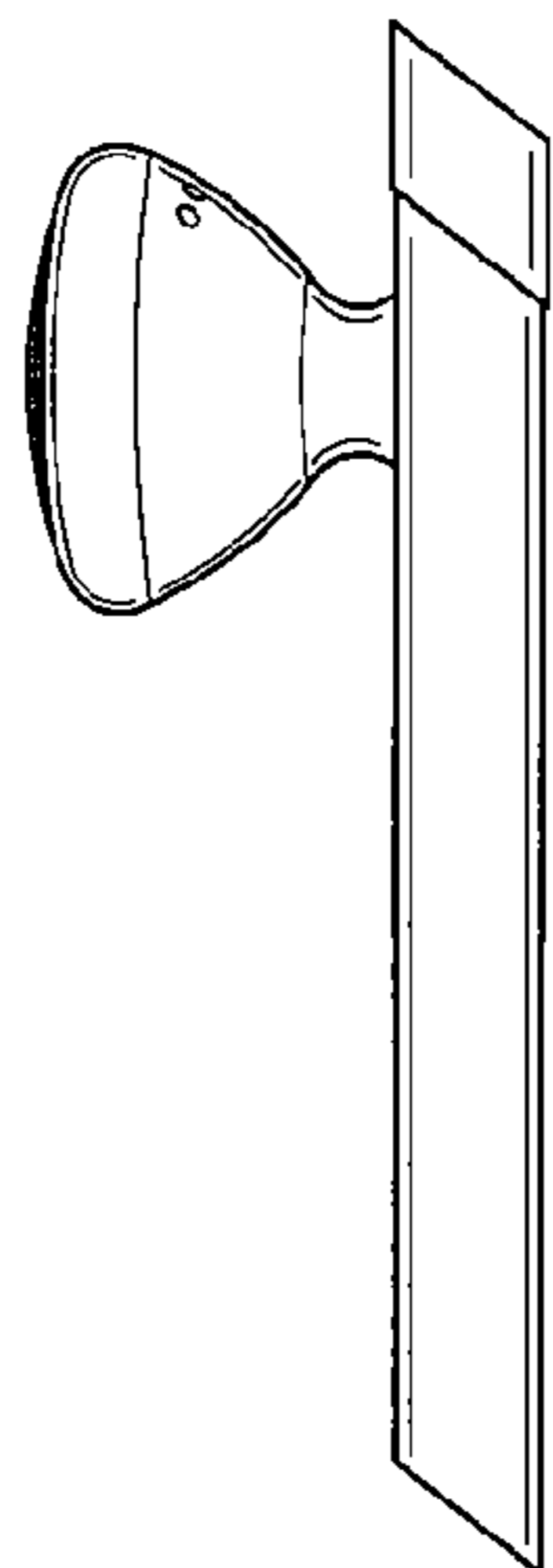


FIG. 6

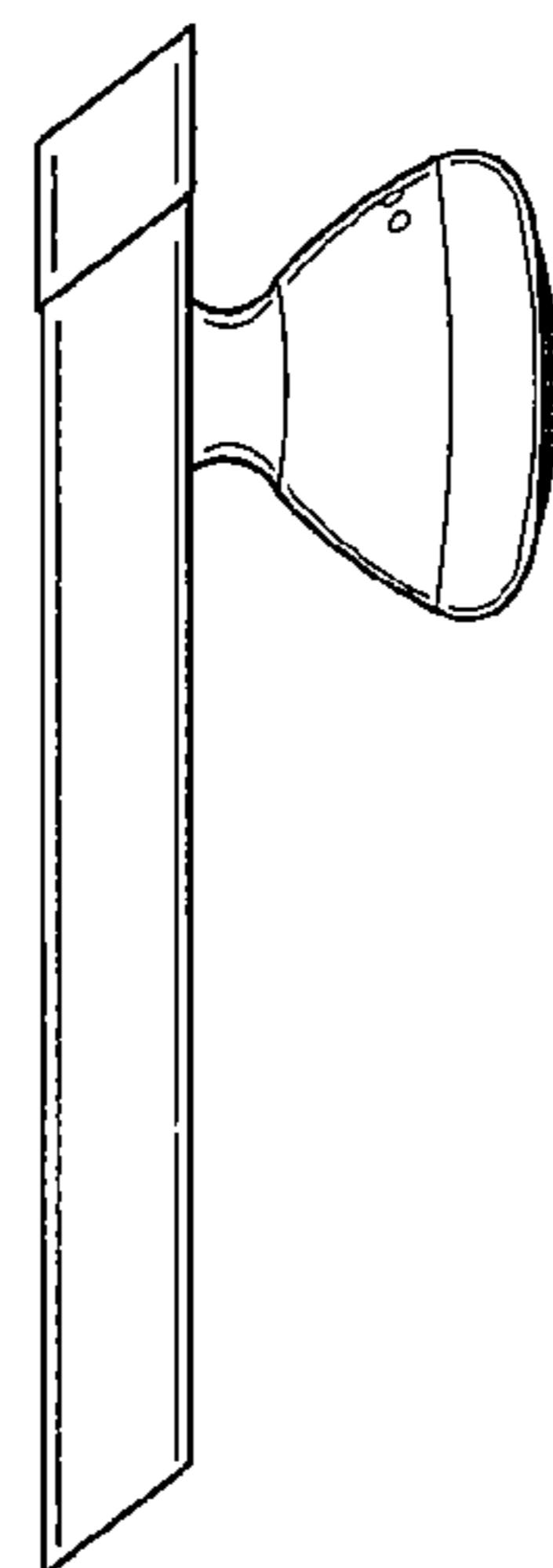


FIG. 7