



US00D579922S

(12) **United States Design Patent**  
**Monaghan**

(10) **Patent No.:** **US D579,922 S**

(45) **Date of Patent:** **\*\* Nov. 4, 2008**

(54) **FRAME WITH INTEGRATED BASKET**

(75) Inventor: **Jeffrey O. Monaghan**, Coral Springs,  
FL (US)

(73) Assignee: **Niles Audio Corporation**, Miami, FL  
(US)

(\*\*) Term: **14 Years**

(21) Appl. No.: **29/283,025**

(22) Filed: **Aug. 3, 2007**

(51) **LOC (8) Cl.** ..... **14-01**

(52) **U.S. Cl.** ..... **D14/221**

(58) **Field of Classification Search** ..... D14/204,  
D14/209–216, 219–222; 181/143–144, 147–148,  
181/150, 157, 198–199, 151, 153; 381/300–302,  
381/306, 333, 345, 361–364, 386–388, 332,  
381/336

See application file for complete search history.

(56) **References Cited**

**U.S. PATENT DOCUMENTS**

D198,377 S \* 6/1964 Wassmann ..... D14/216

D225,069 S \* 11/1972 May ..... D14/216  
D318,671 S \* 7/1991 Naumann ..... D14/221  
D320,020 S \* 9/1991 Iwano ..... D14/216  
D472,232 S \* 3/2003 Stompler et al. .... D14/224  
D476,313 S \* 6/2003 Rivera ..... D14/216  
D478,572 S \* 8/2003 Dawson ..... D14/219

\* cited by examiner

*Primary Examiner*—Nanda Bondade

(74) *Attorney, Agent, or Firm*—Hogan & Hartson LLP

(57) **CLAIM**

The design for frame with integrated basket, substantially as shown and described.

**DESCRIPTION**

FIG. 1 is a front, top and right side perspective view of the new design for a frame with integrated basket.

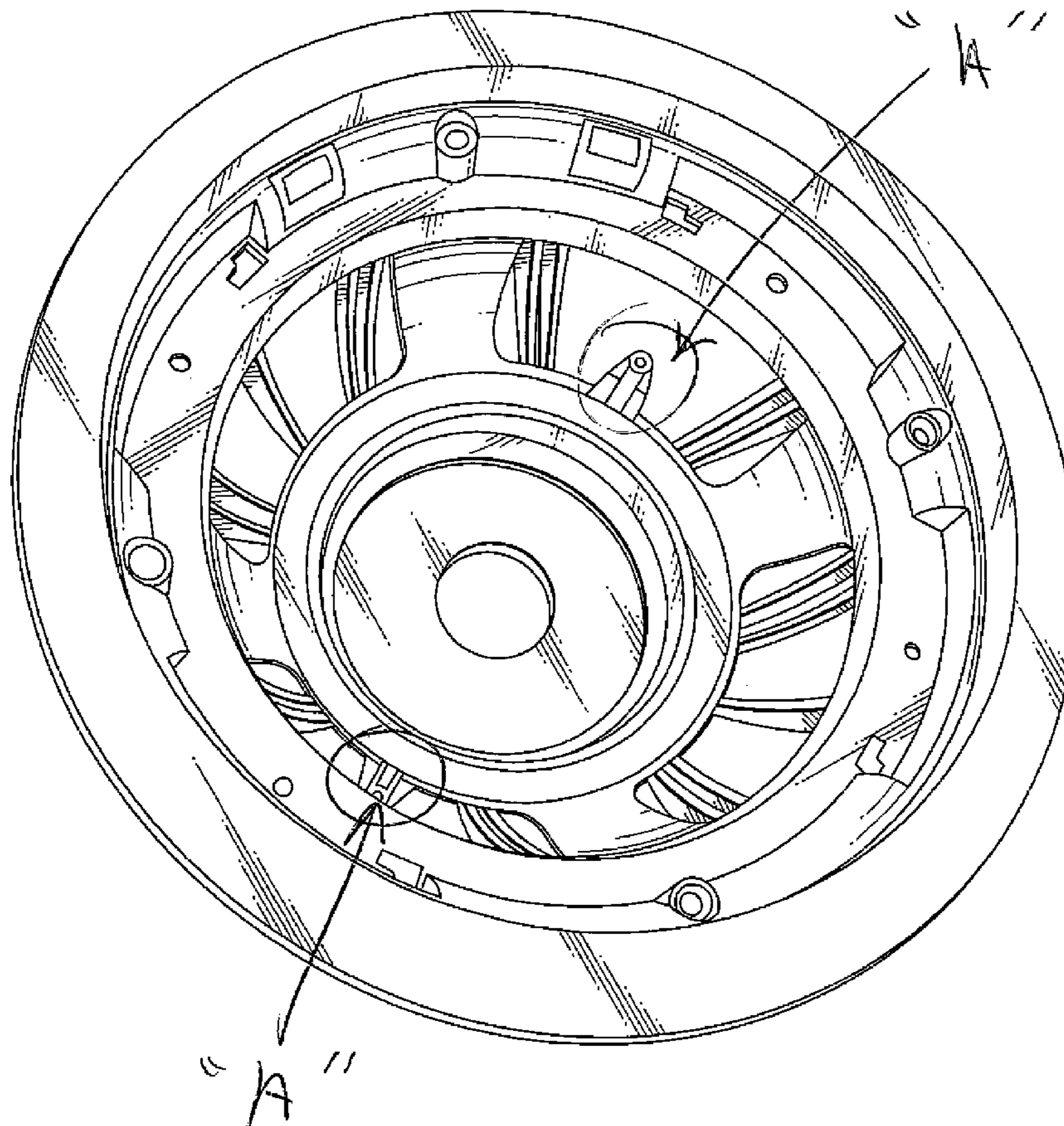
FIG. 2 is a front elevational view thereof;

FIG. 3 is a rear elevational view thereof;

FIG. 4 is a top plan view thereof; and,

FIG. 5 is a side elevational view thereof.

**1 Claim, 4 Drawing Sheets**



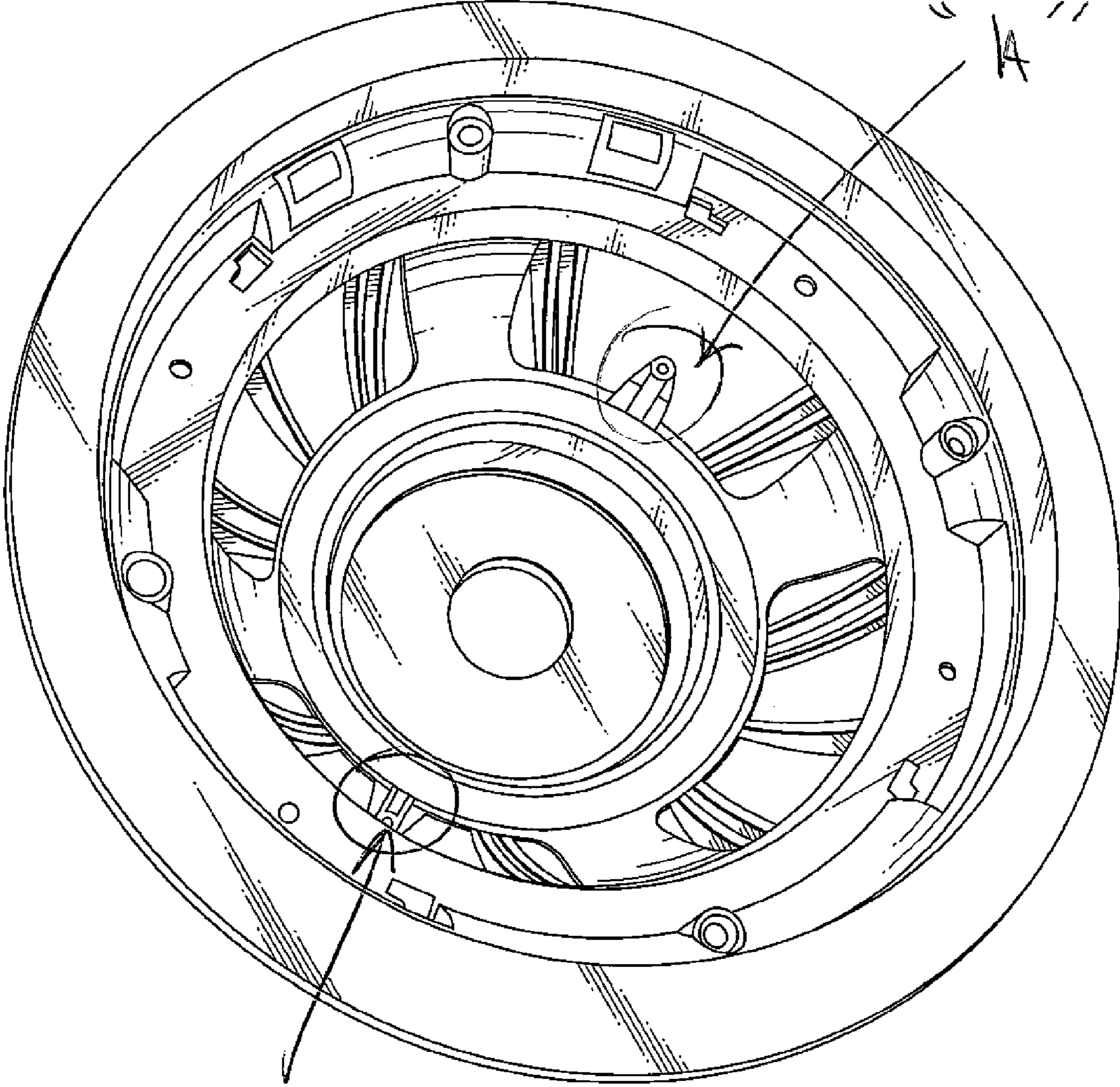


FIG. 1

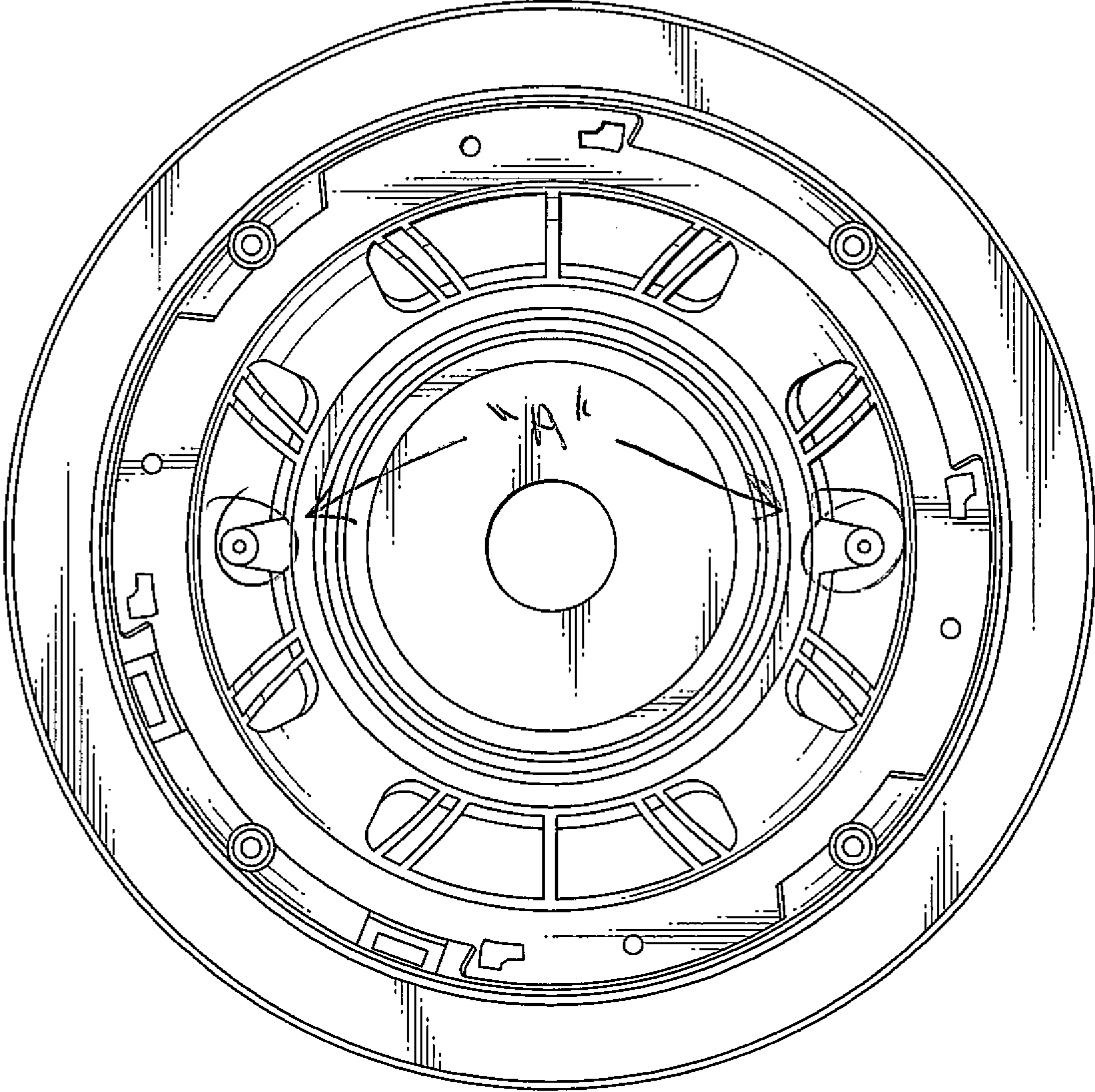


FIG. 2



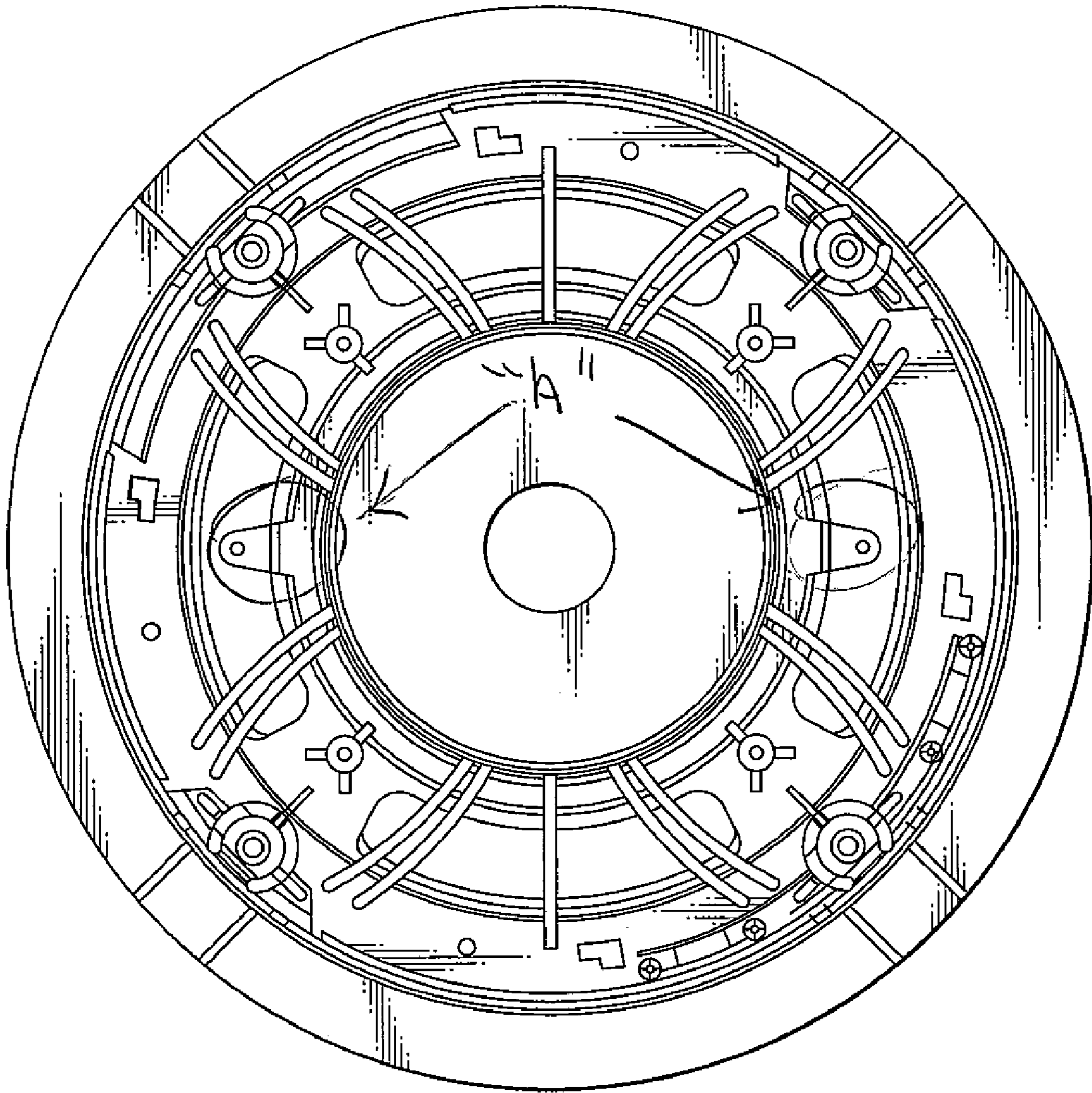


FIG. 3

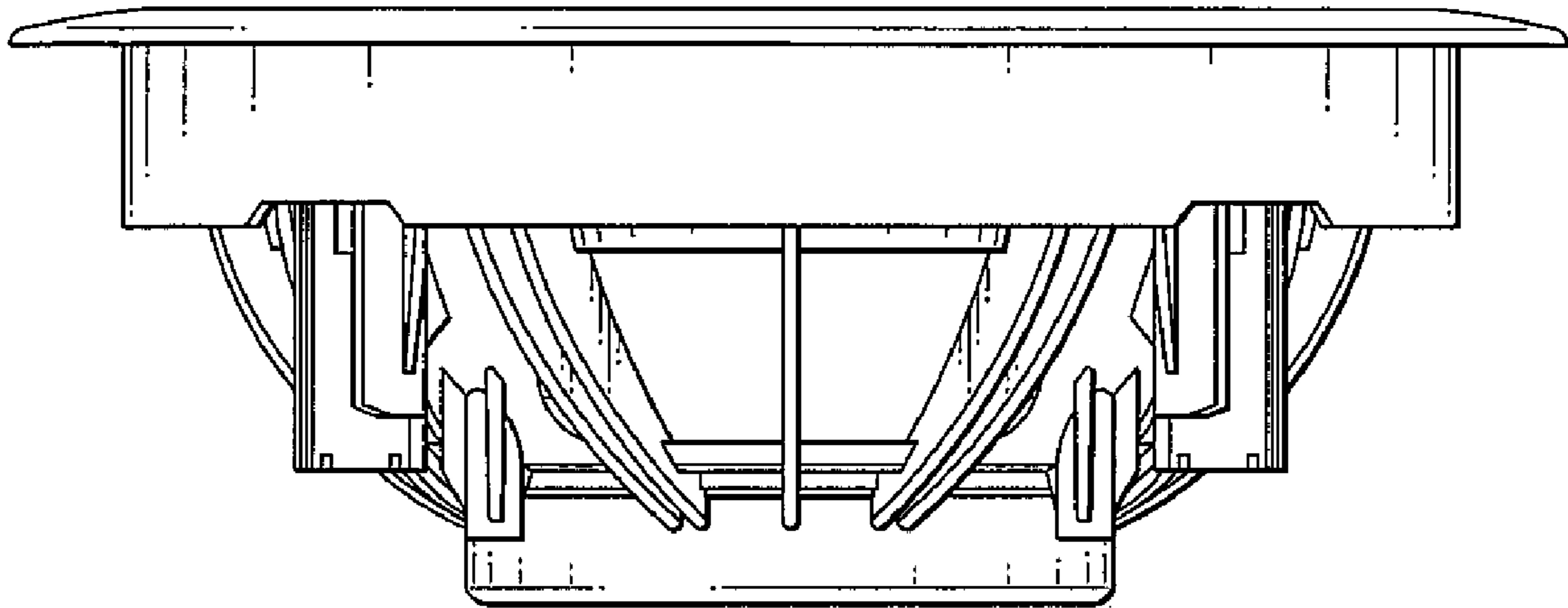


FIG. 4

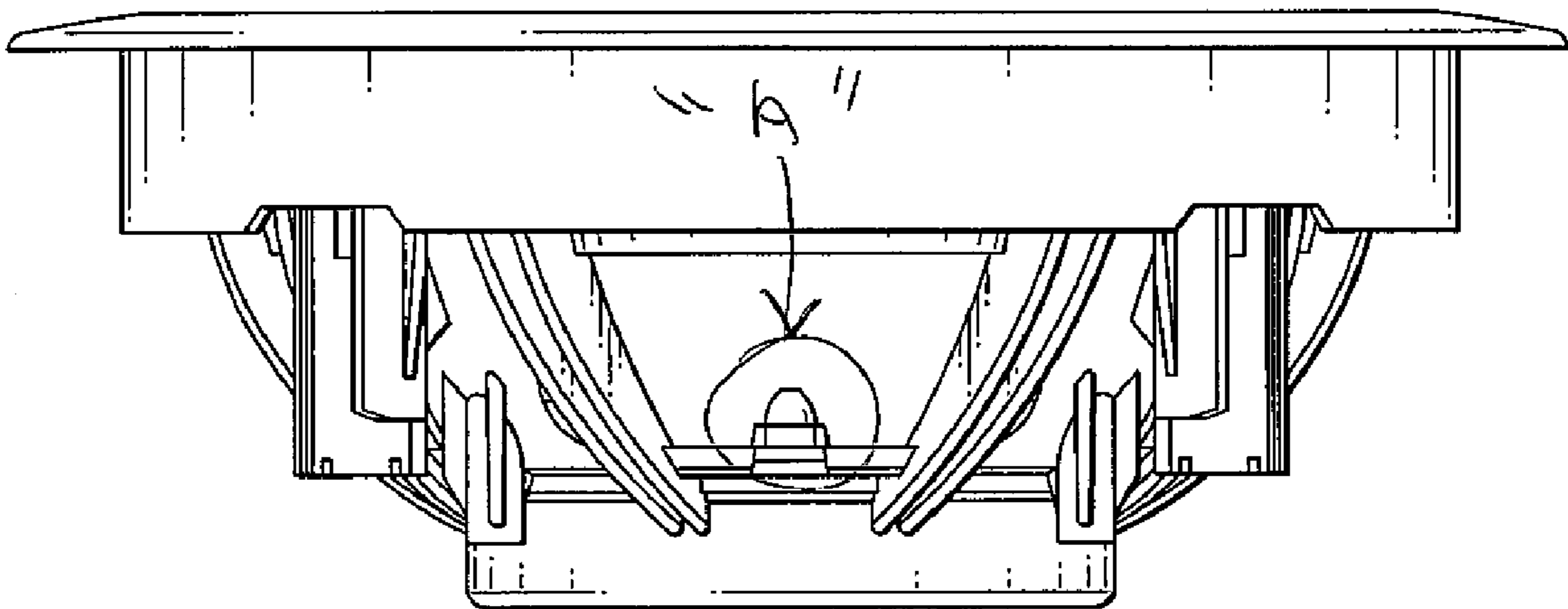


FIG. 5