



US00D579920S

(12) **United States Design Patent**
Lazzeroni et al.

(10) **Patent No.:** **US D579,920 S**

(45) **Date of Patent:** **** Nov. 4, 2008**

(54) **SPEAKER GRILL**

D302,980 S * 8/1989 Van de Ven D14/219
5,565,659 A * 10/1996 Moner et al. 181/150

(75) Inventors: **John J. Lazzeroni**, Tucson, AZ (US);
Melinda K. Carevich, Tucson, AZ (US)

* cited by examiner

(73) Assignee: **J&M Corporation**, Tucson, AZ (US)

Primary Examiner—Nanda Bondade

(74) *Attorney, Agent, or Firm*—Gavin J. Milczarek-Desai;
Quarles & Brady LLP

(**) Term: **14 Years**

(21) Appl. No.: **29/296,203**

(57) **CLAIM**

(22) Filed: **Oct. 16, 2007**

The ornamental design for a speaker grill, as shown and described.

(51) **LOC (8) Cl.** **14-01**

(52) **U.S. Cl.** **D14/219**

(58) **Field of Classification Search** D14/204,
D14/207, 209–216, 219–222; 181/143–144,
181/147–148, 150–151, 153, 157, 198–199;
381/300–303, 306, 345, 361–364, 388, 332–336
See application file for complete search history.

DESCRIPTION

FIG. 1 is a front perspective view of a speaker grill showing our new design.

FIG. 2 is a front elevational view thereof.

FIG. 3 is a right side elevational view thereof.

FIG. 4 is a left side elevational view thereof; and,

FIG. 5 is a rear perspective view thereof.

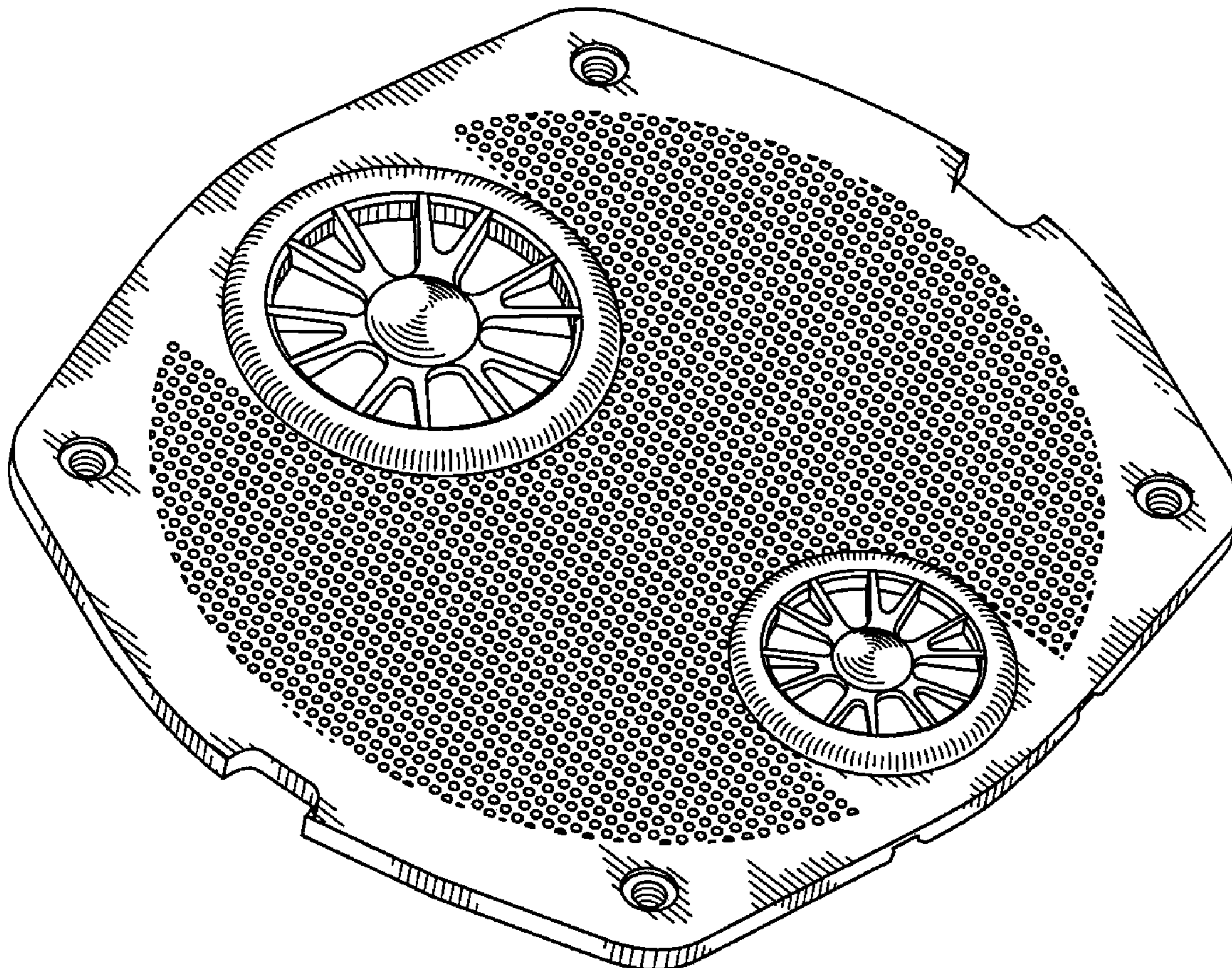
The broken line showing on the drawing disclosure is for illustrative purposes only and forms no part of the claimed design.

(56) **References Cited**

U.S. PATENT DOCUMENTS

D278,432 S *	4/1985	Buck	D14/219
D281,065 S *	10/1985	Katsuno	D14/215
D292,091 S *	9/1987	Keitoku	D14/215
D302,818 S *	8/1989	Camens	D14/219

1 Claim, 2 Drawing Sheets



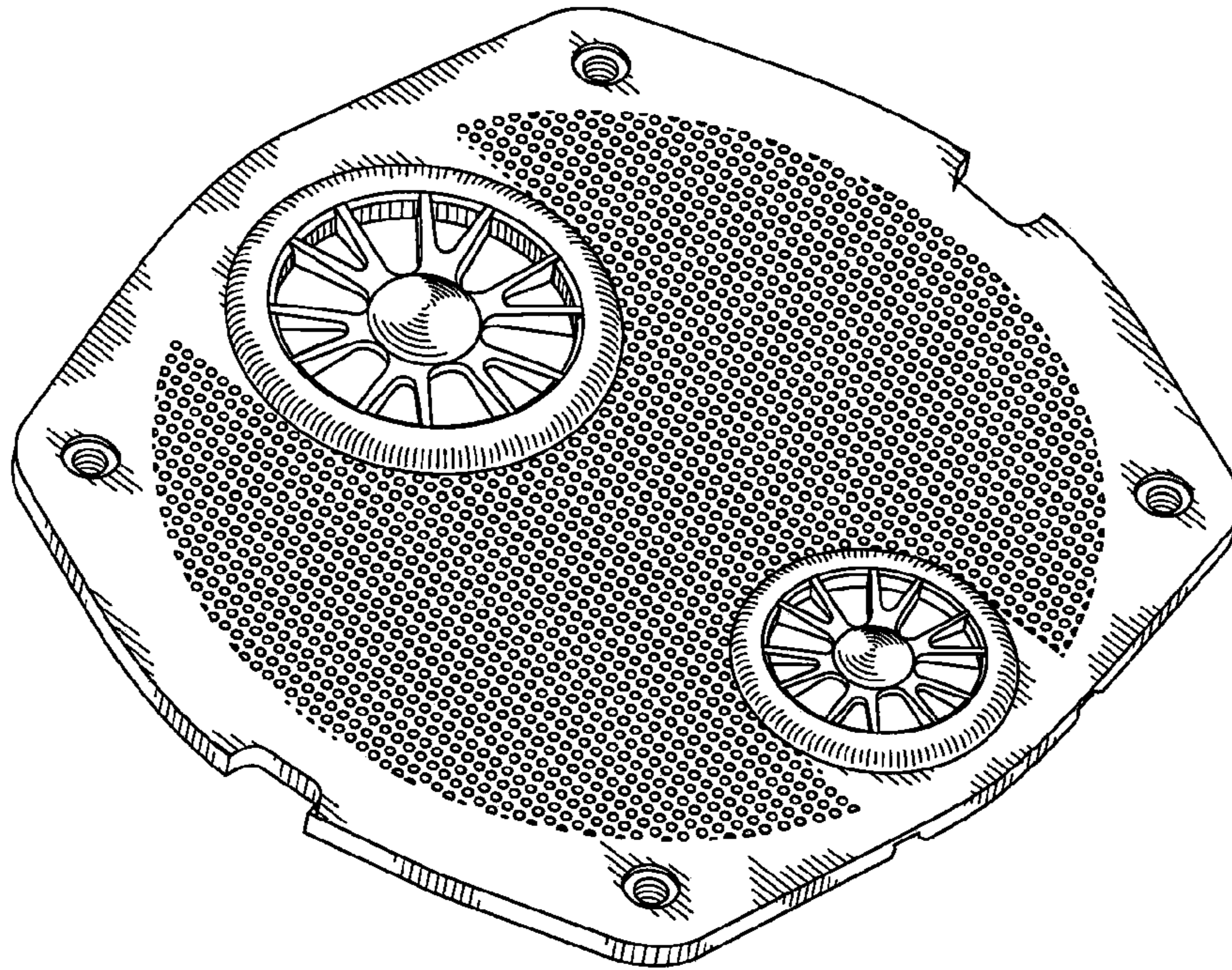


FIG. 1

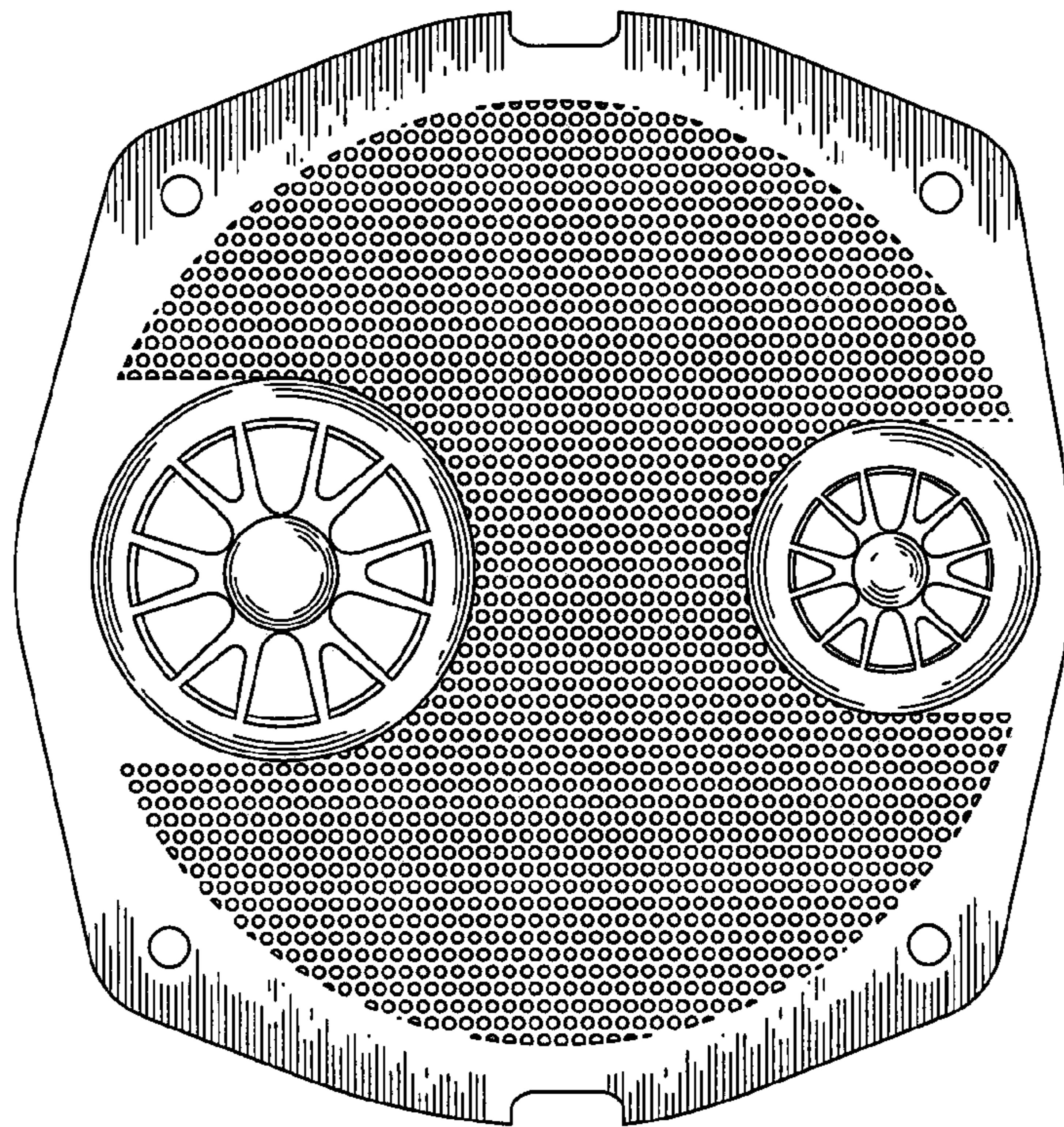


FIG. 2



FIG. 3



FIG. 4

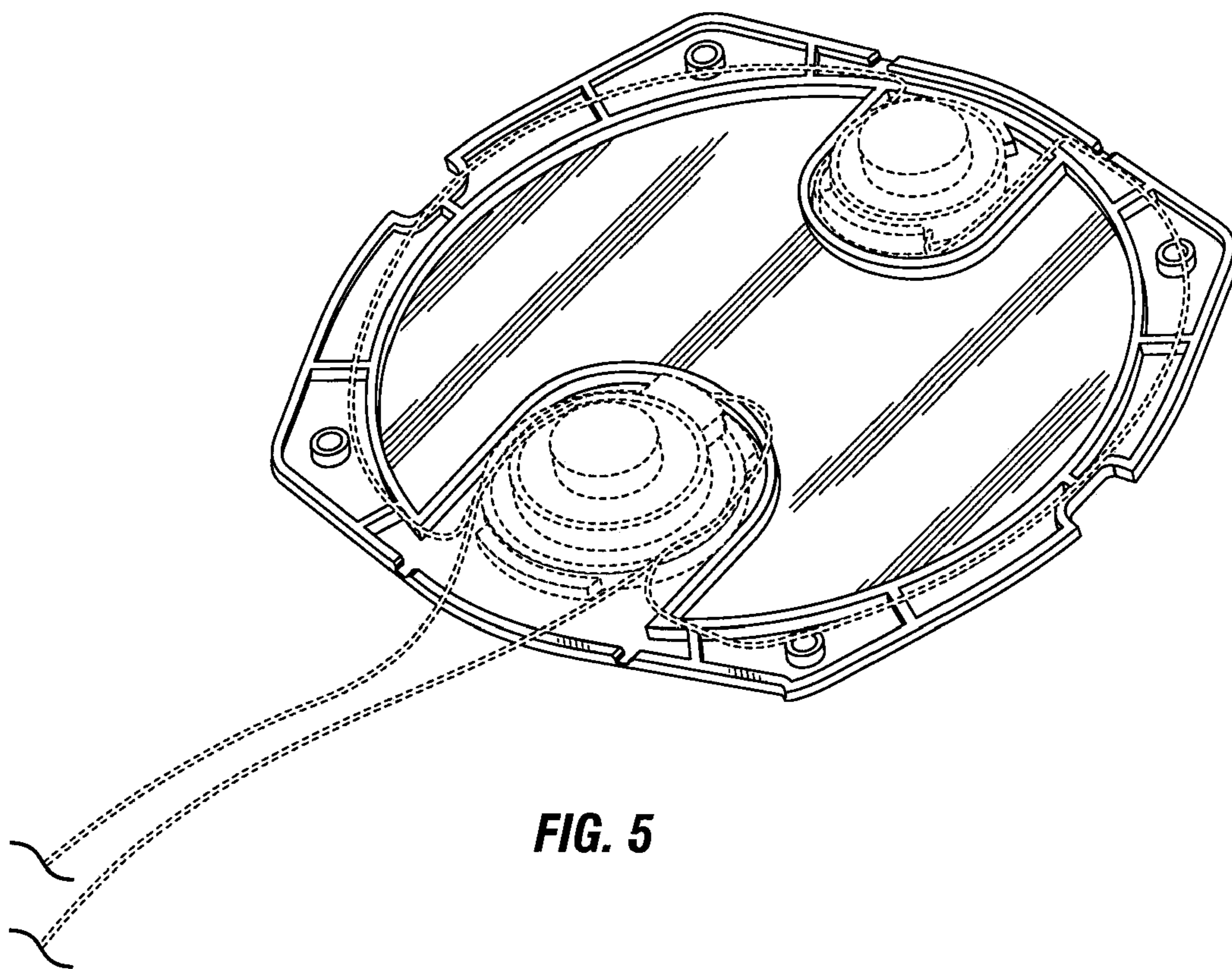


FIG. 5