

US00D579918S

(12) **United States Design Patent**
Engstrom et al.

(10) **Patent No.:** **US D579,918 S**

(45) **Date of Patent:** **** Nov. 4, 2008**

(54) **CONTROL ASSEMBLY FOR AUDIO DEVICE**

(75) Inventors: **Matthew Engstrom**, Evanston, IL (US);
Scott Belliveau, Plainfield, IL (US);
Daniel Perez, Chicago, IL (US); **Ki Bok Song**,
Des Plaines, IL (US); **Tianzhu Wang**, Chicago, IL (US)

(73) Assignee: **Shure Acquisition Holdings, Inc.**,
Niles, IL (US)

(**) Term: **14 Years**

(21) Appl. No.: **29/243,720**

(22) Filed: **Nov. 30, 2005**

(51) **LOC (8) Cl.** **14-01**

(52) **U.S. Cl.** **D14/218; D14/223**

(58) **Field of Classification Search** D14/205,
D14/217, 218, 221, 229, 223, 188, 192; D13/168,
D13/171; 455/151.1, 151.3, 151.4, 194.1,
455/194.2, 200.1, 352, 355

See application file for complete search history.

(56) **References Cited**

U.S. PATENT DOCUMENTS

D415,115 S *	10/1999	Kawashima	D13/168
D457,513 S *	5/2002	Pirelli et al.	D14/223
D462,945 S *	9/2002	Skulley	D14/218
D463,787 S *	10/2002	Beraut et al.	D14/218
D465,476 S *	11/2002	Golding et al.	D14/217
D499,086 S *	11/2004	Polito	D14/218
D509,210 S *	9/2005	Skulley et al.	D14/205
D512,711 S *	12/2005	Skulley	D14/223
D517,052 S *	3/2006	Skulley	D14/223

D530,680 S *	10/2006	Fox et al.	D13/168
D530,681 S *	10/2006	Huang	D13/168
D533,542 S *	12/2006	Suzuki et al.	D14/218
D554,626 S *	11/2007	Christopher	D14/223

* cited by examiner

Primary Examiner—Cathron Brooks

Assistant Examiner—Angela J Lee

(74) *Attorney, Agent, or Firm*—Banner & Witcoff, Ltd.

(57) **CLAIM**

The ornamental design for the control assembly for audio device, as shown and described.

DESCRIPTION

FIG. 1 is an isometric view of the control assembly for audio device design;

FIG. 2 is a left side view of the control assembly for audio device design;

FIG. 3 is a front view of the control assembly for audio device design;

FIG. 4 is a rear side view of the control assembly for audio device design;

FIG. 5 is a right side view of the control assembly for audio device design;

FIG. 6 is a top view of the control assembly for audio device design; and,

FIG. 7 is a bottom view of the control assembly for audio device design.

The broken line showing of portions of the control assembly for audio device forms no part of the claimed design.

1 Claim, 2 Drawing Sheets

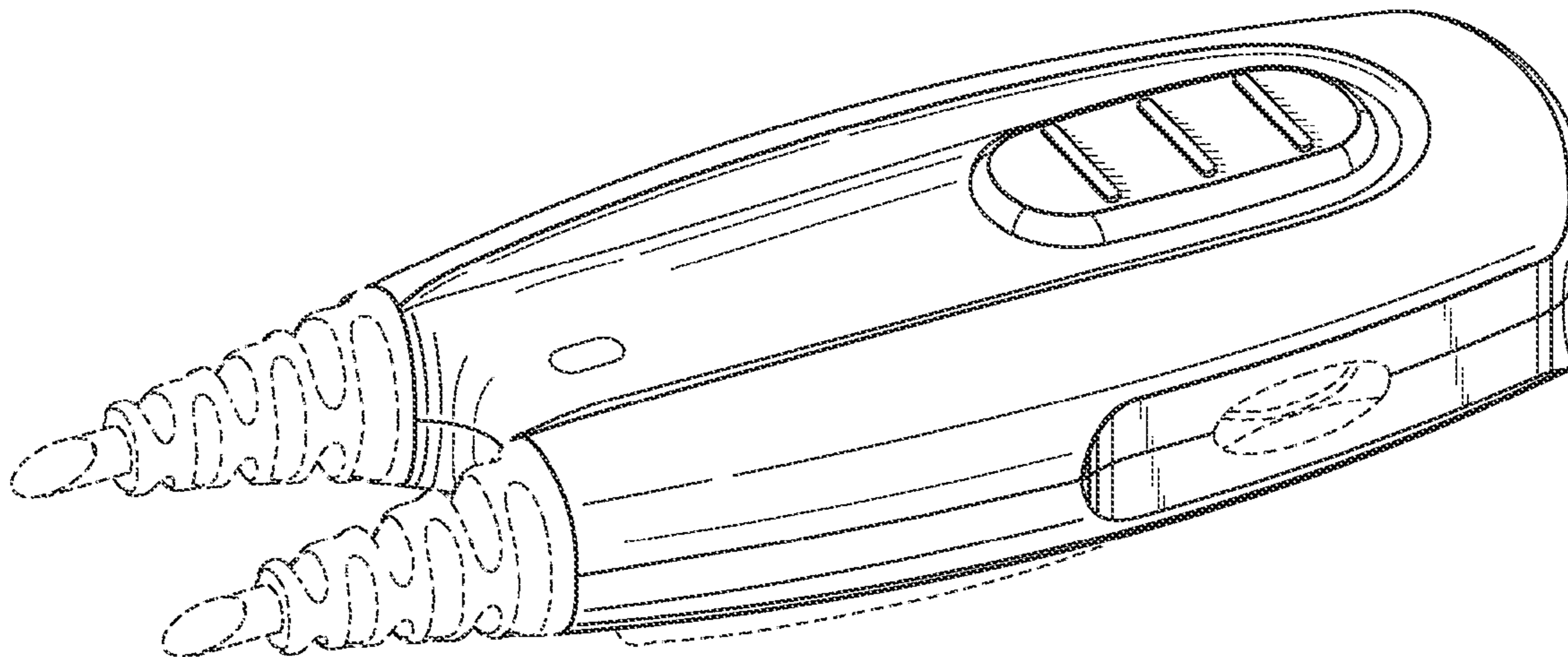


Fig. 1

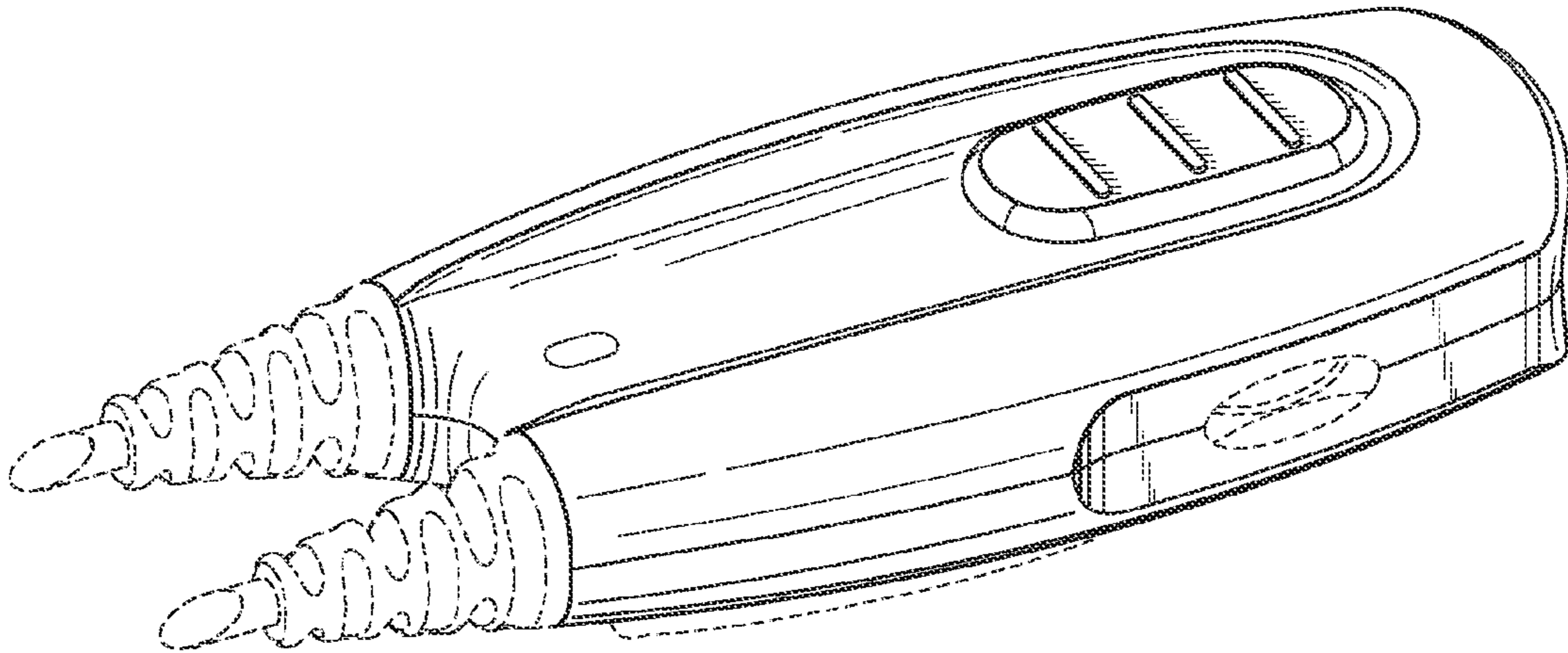


Fig. 2

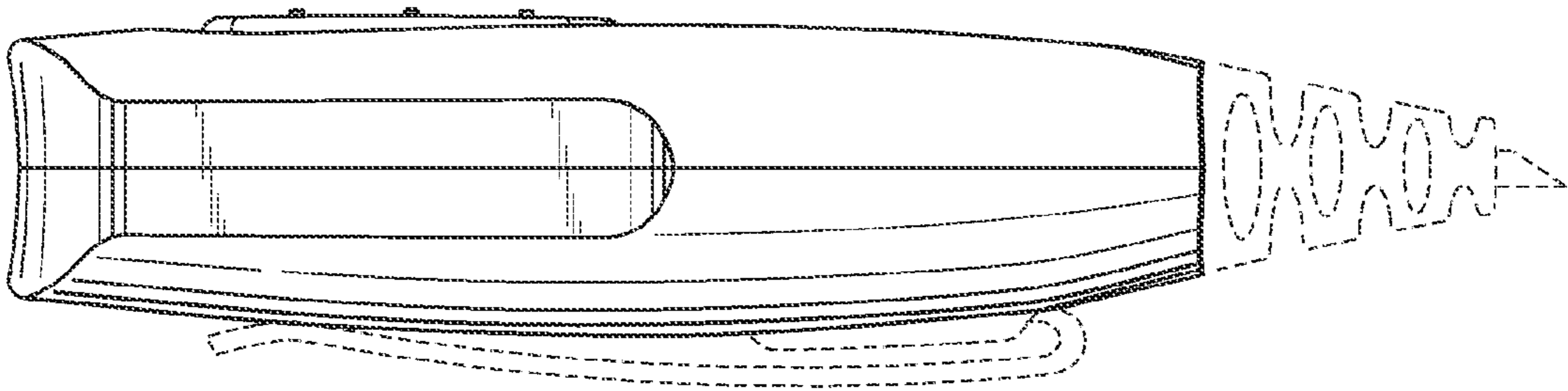


Fig. 3

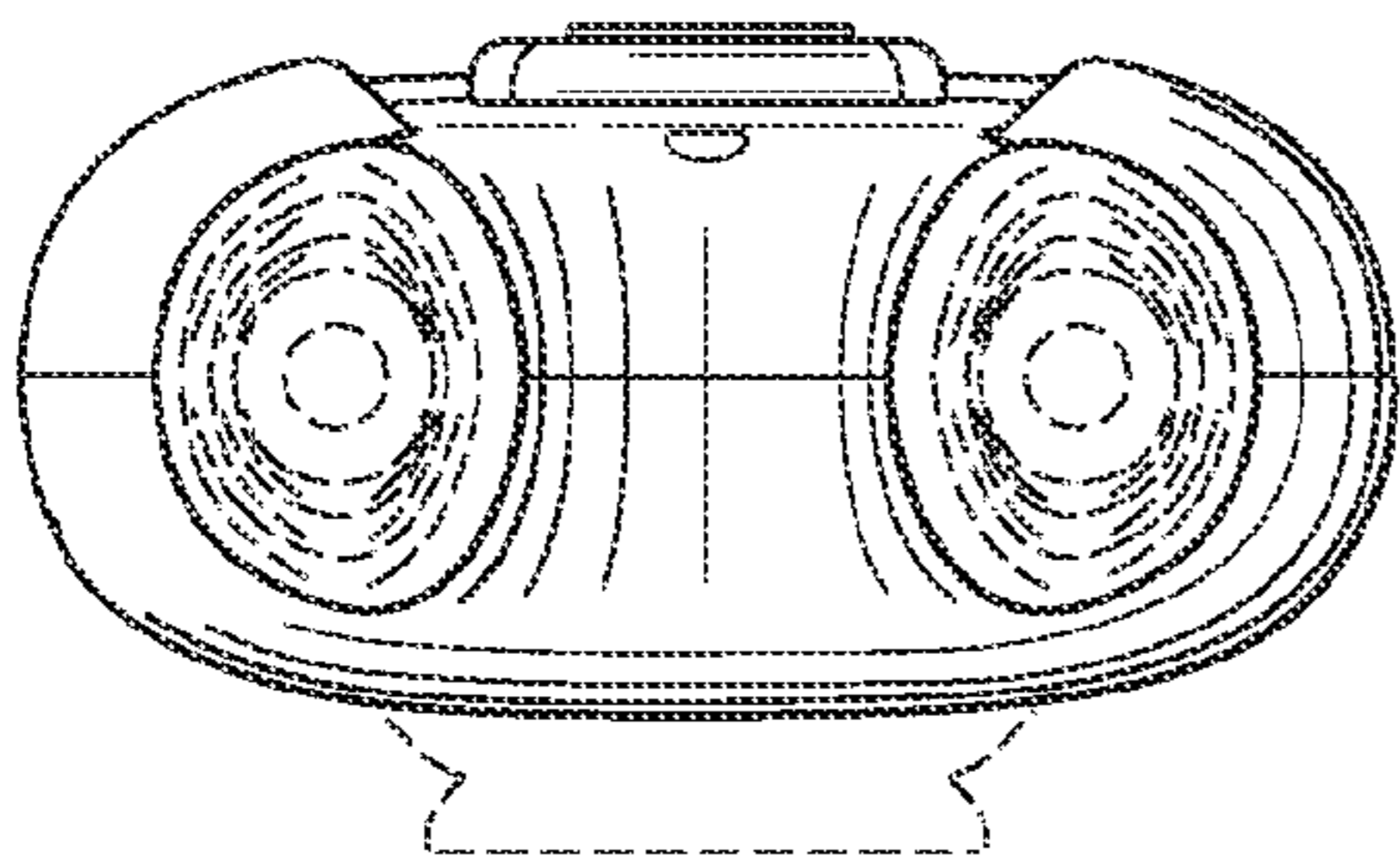


Fig. 4

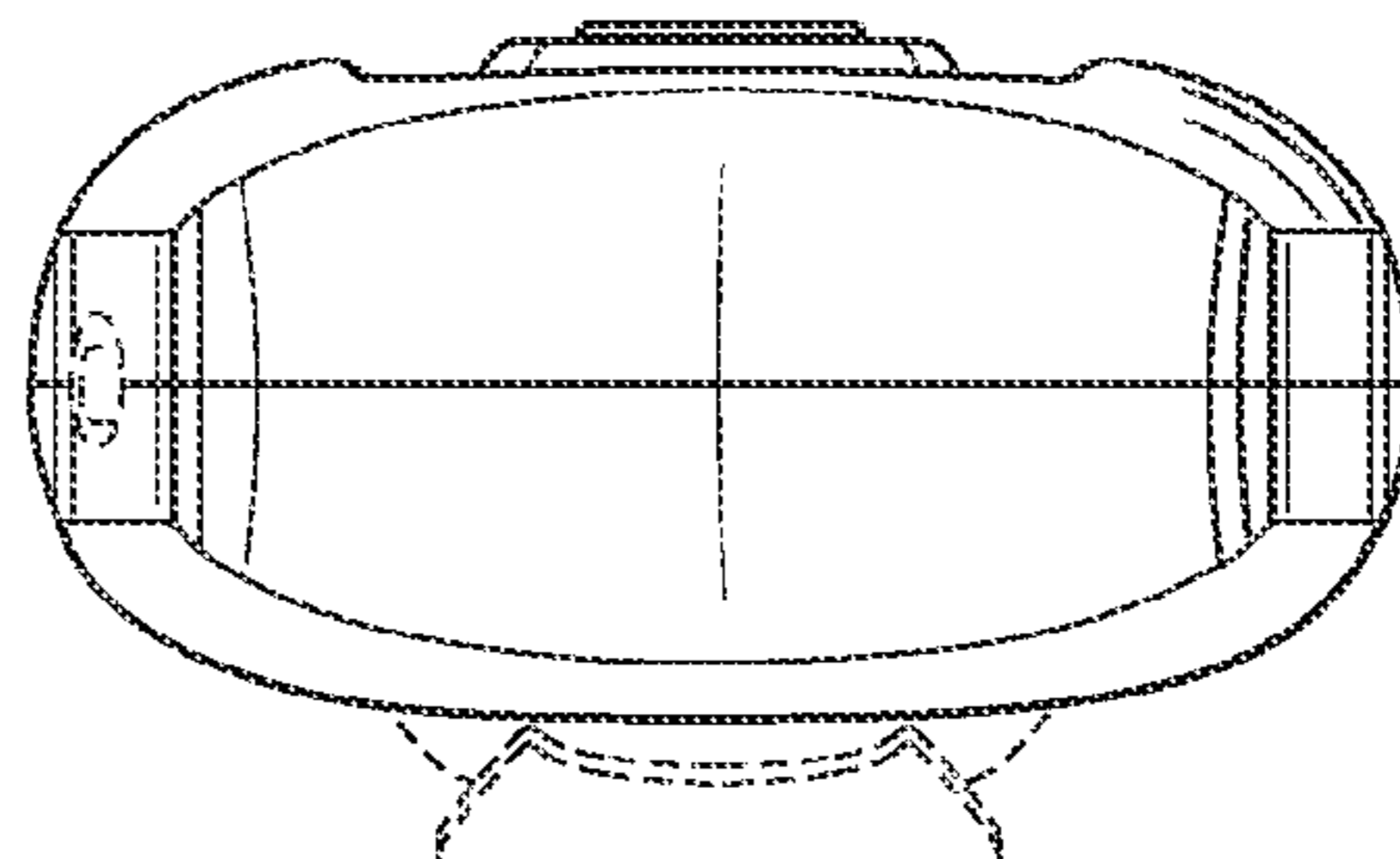


Fig. 5

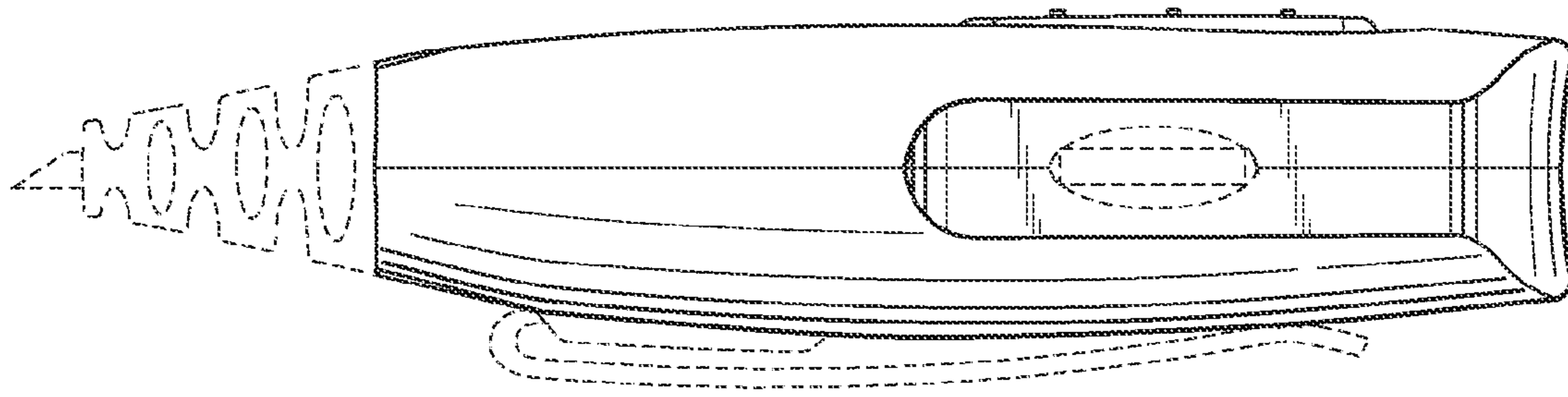


Fig. 6

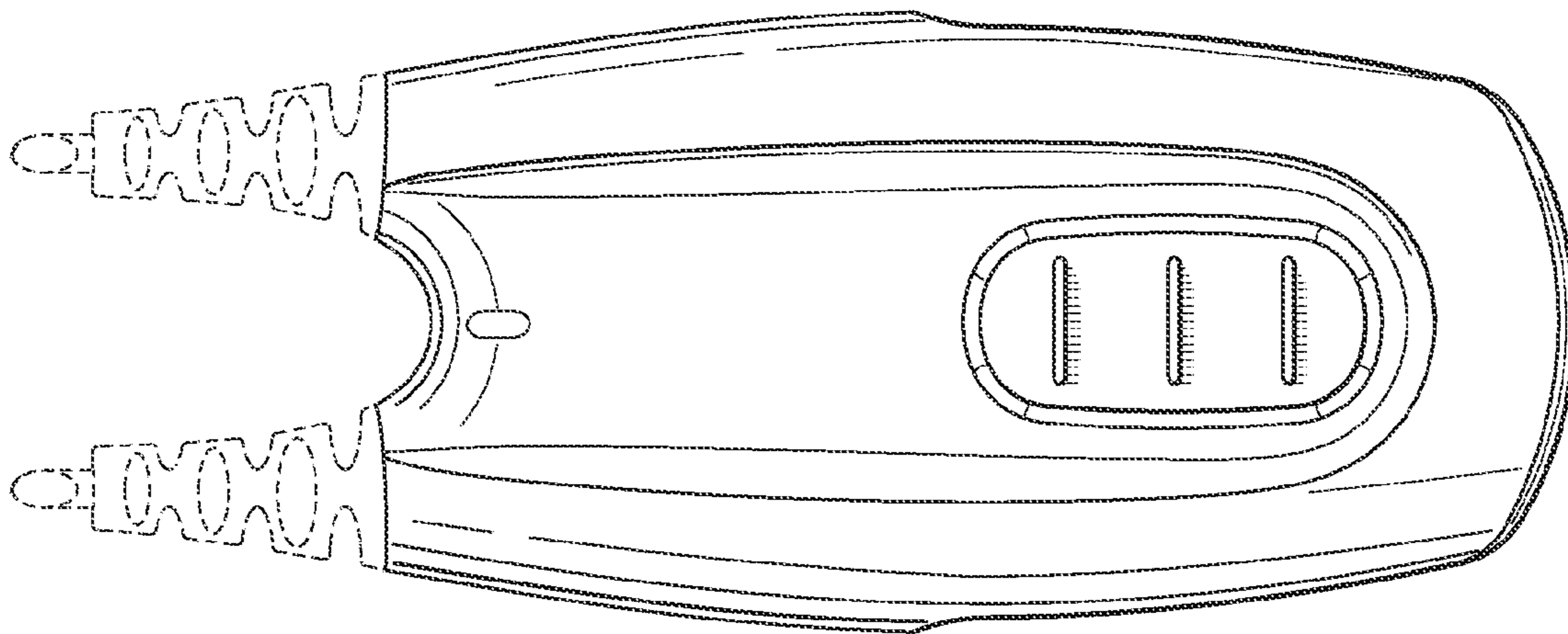


Fig. 7

