



US00D579916S

(12) **United States Design Patent**
Ichikawa

(10) **Patent No.:** **US D579,916 S**
(45) **Date of Patent:** **** Nov. 4, 2008**

(54) **SPEAKER FOR VEHICLE**
(75) Inventor: **Takashi Ichikawa**, Tokyo (JP)
(73) Assignee: **Alpine Electronics, Inc.**, Tokyo (JP)
(**) Term: **14 Years**

D488,802 S 4/2004 Uehara et al.
D489,359 S 5/2004 Hakoda
D494,566 S 8/2004 Allen
D497,902 S 11/2004 Farinelli et al.
D522,496 S 6/2006 Smith et al.

(21) Appl. No.: **29/288,555**
(22) Filed: **Jun. 14, 2007**

OTHER PUBLICATIONS

U.S. Appl. No. 29/261,782, filed Jun. 20, 2006, Taro Iwamoto.

* cited by examiner

Primary Examiner—Nanda Bondade

(74) *Attorney, Agent, or Firm*—Brinks Hofer Gilson & Lione

(30) **Foreign Application Priority Data**

Dec. 15, 2006 (JP) 2006-034412

(57) **CLAIM**

(51) **LOC (8) Cl.** **14-01**
(52) **U.S. Cl.** **D14/216**
(58) **Field of Classification Search** D14/204,
D14/209–216, 219–220; 181/143–144, 147–148,
181/150, 157, 198–199, 151, 153; 381/300–302,
381/306, 333, 345, 361–364, 386–388, 332,
381/336

I claim the ornamental design for a speaker for vehicle, as shown and described.

See application file for complete search history.

DESCRIPTION

FIG. 1 is a perspective view of a speaker for vehicle, showing my new, design;

FIG. 2 is a front elevational view thereof;

FIG. 3 is a rear elevational view thereof;

FIG. 4 is a right side elevational view thereof;

FIG. 5 is a left side elevational view thereof;

FIG. 6 is a top plan view thereof; and,

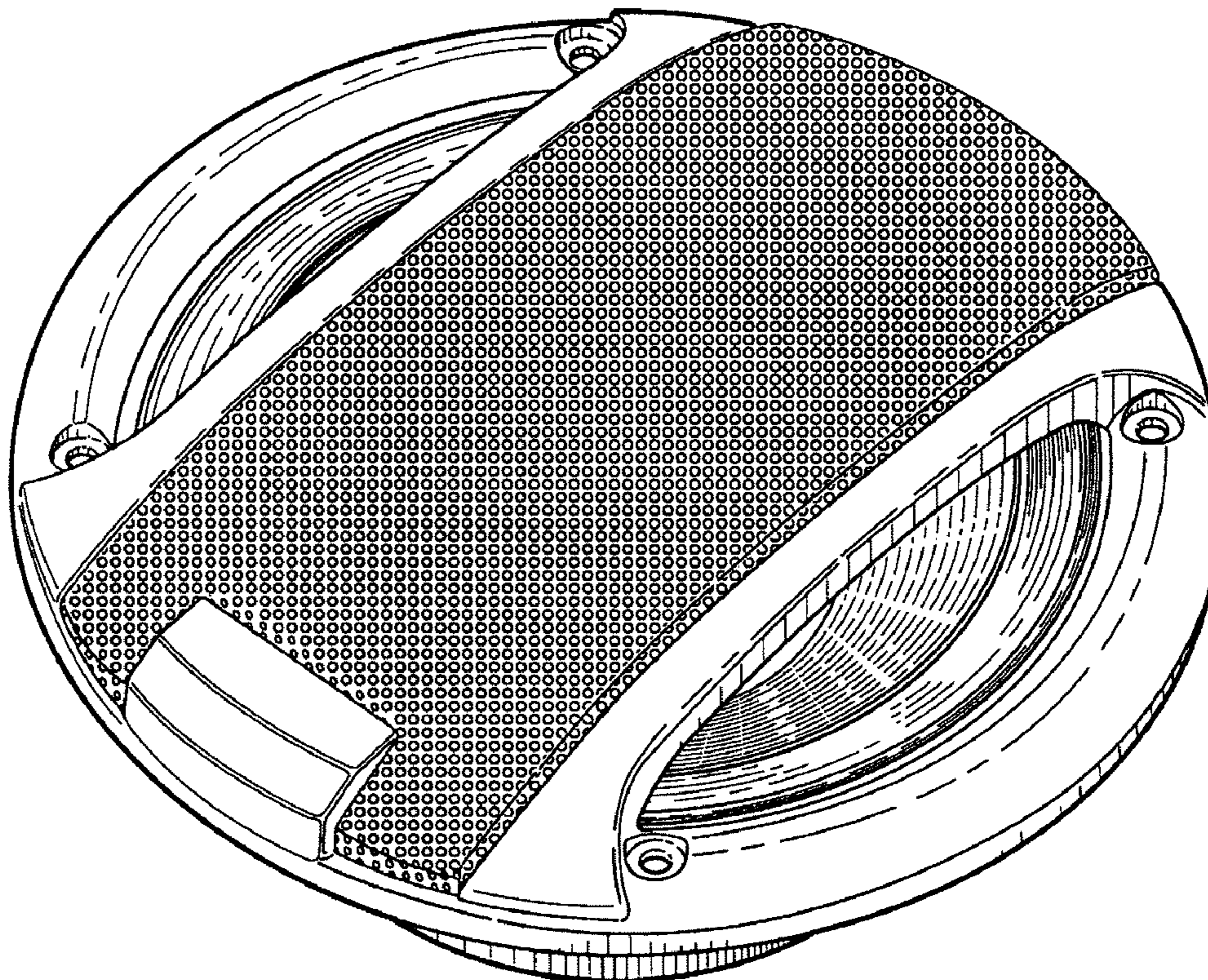
FIG. 7 is a bottom plan view thereof.

(56) **References Cited**

U.S. PATENT DOCUMENTS

D279,183 S * 6/1985 Yoshikawa D14/215
D295,741 S * 5/1988 Keitoku D14/215
D464,298 S 10/2002 Bartholomai et al.
D487,076 S * 2/2004 Nakane et al. D14/216

1 Claim, 6 Drawing Sheets



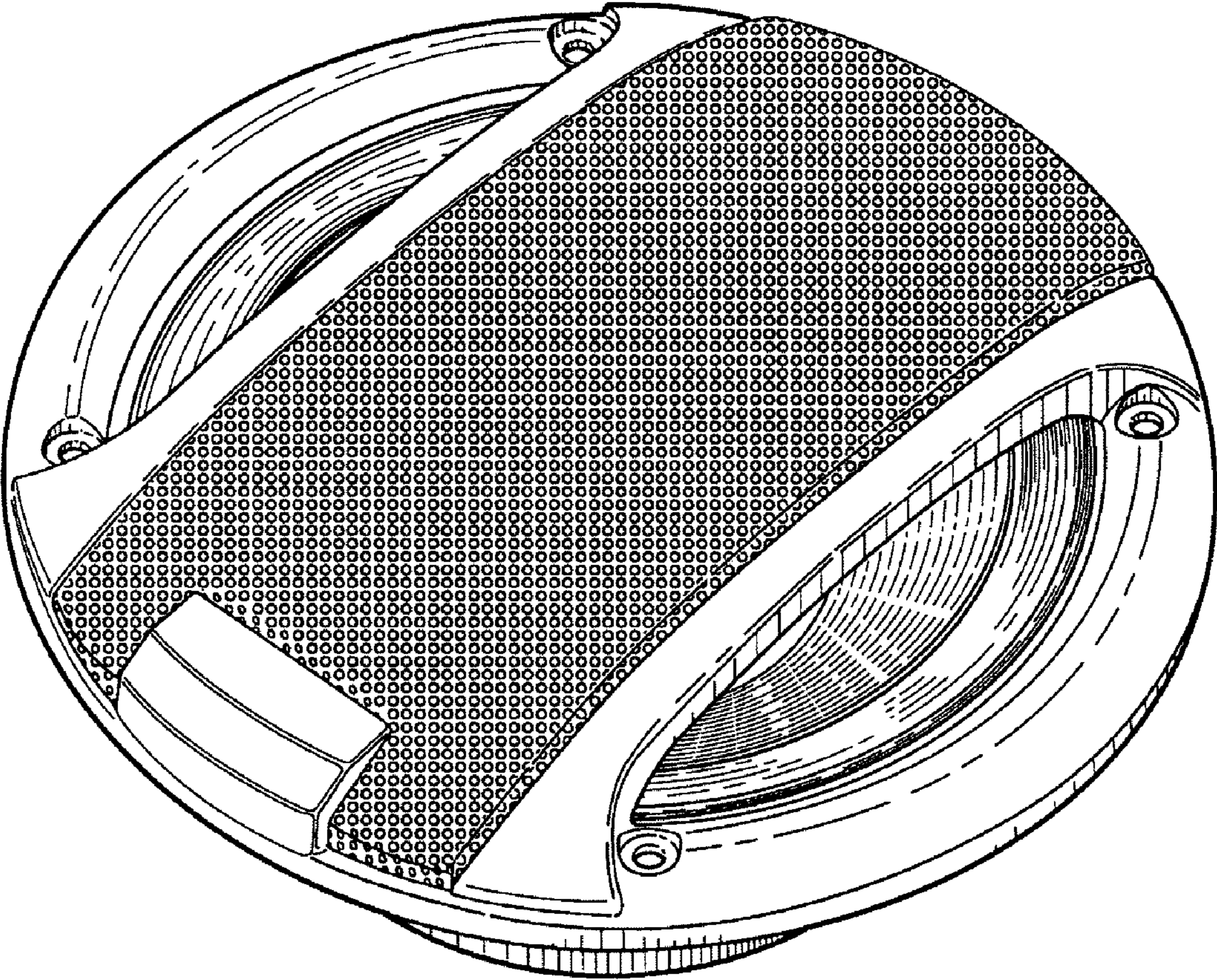


Fig. 1

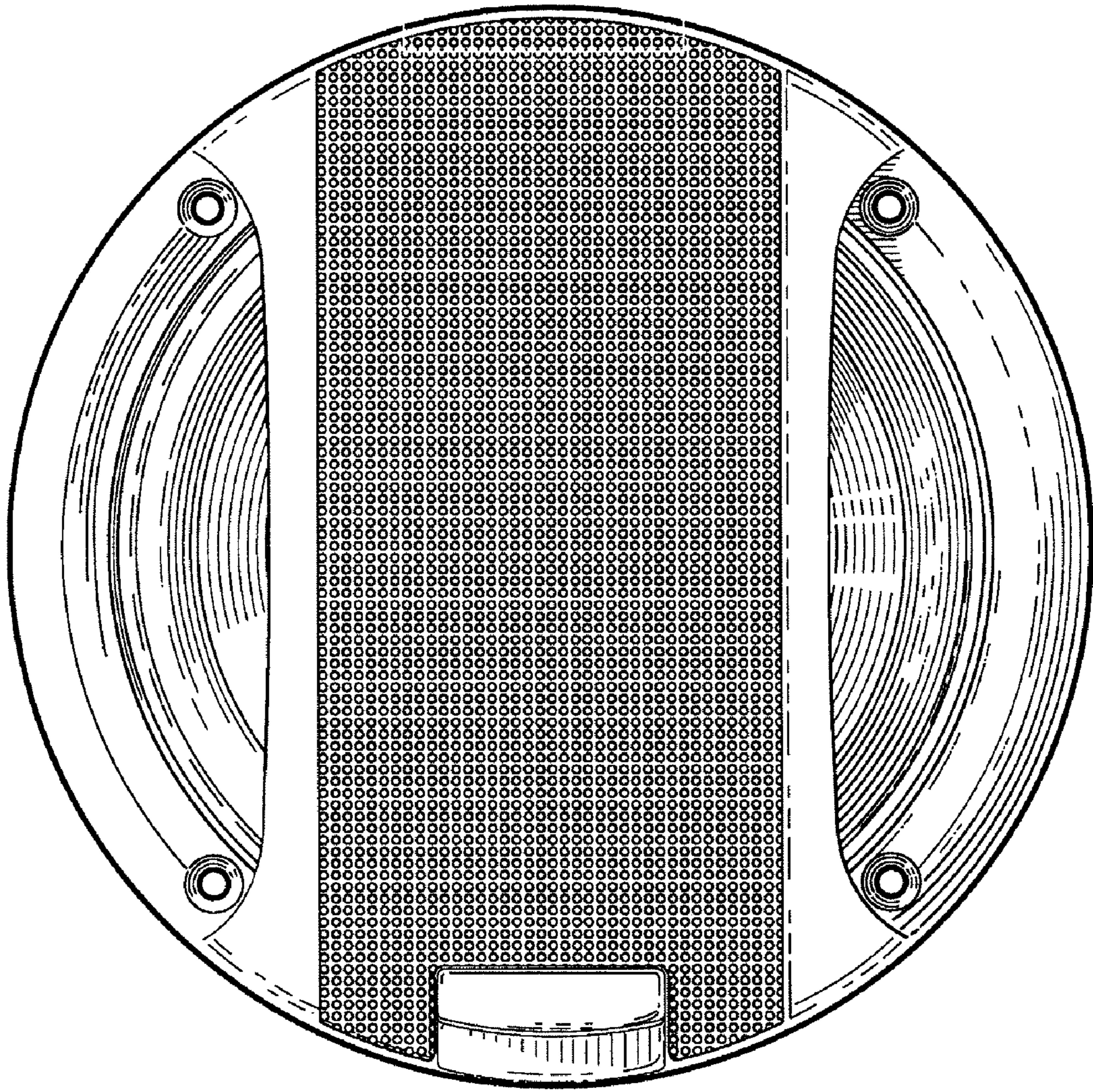


Fig. 2

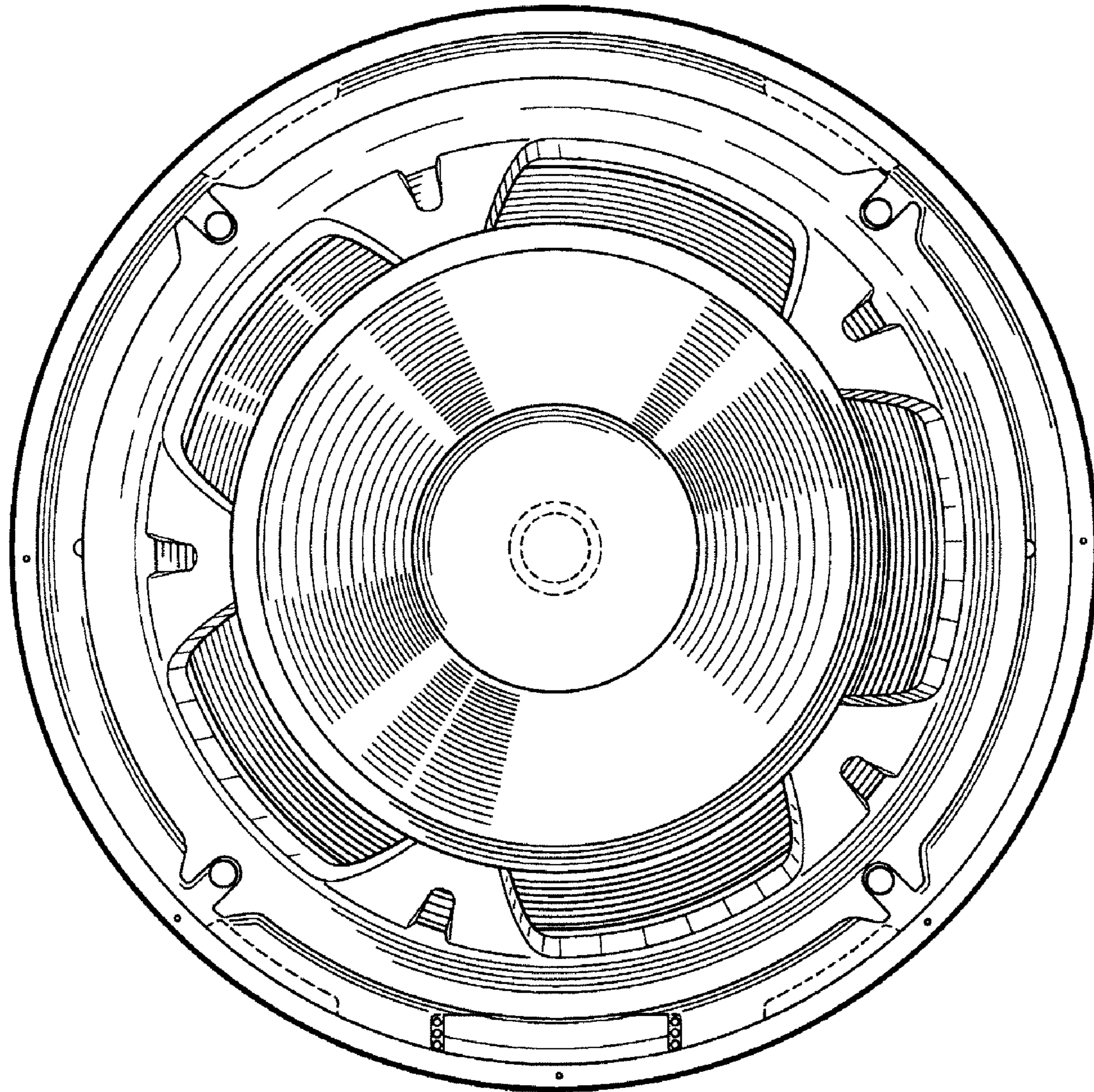


Fig. 3

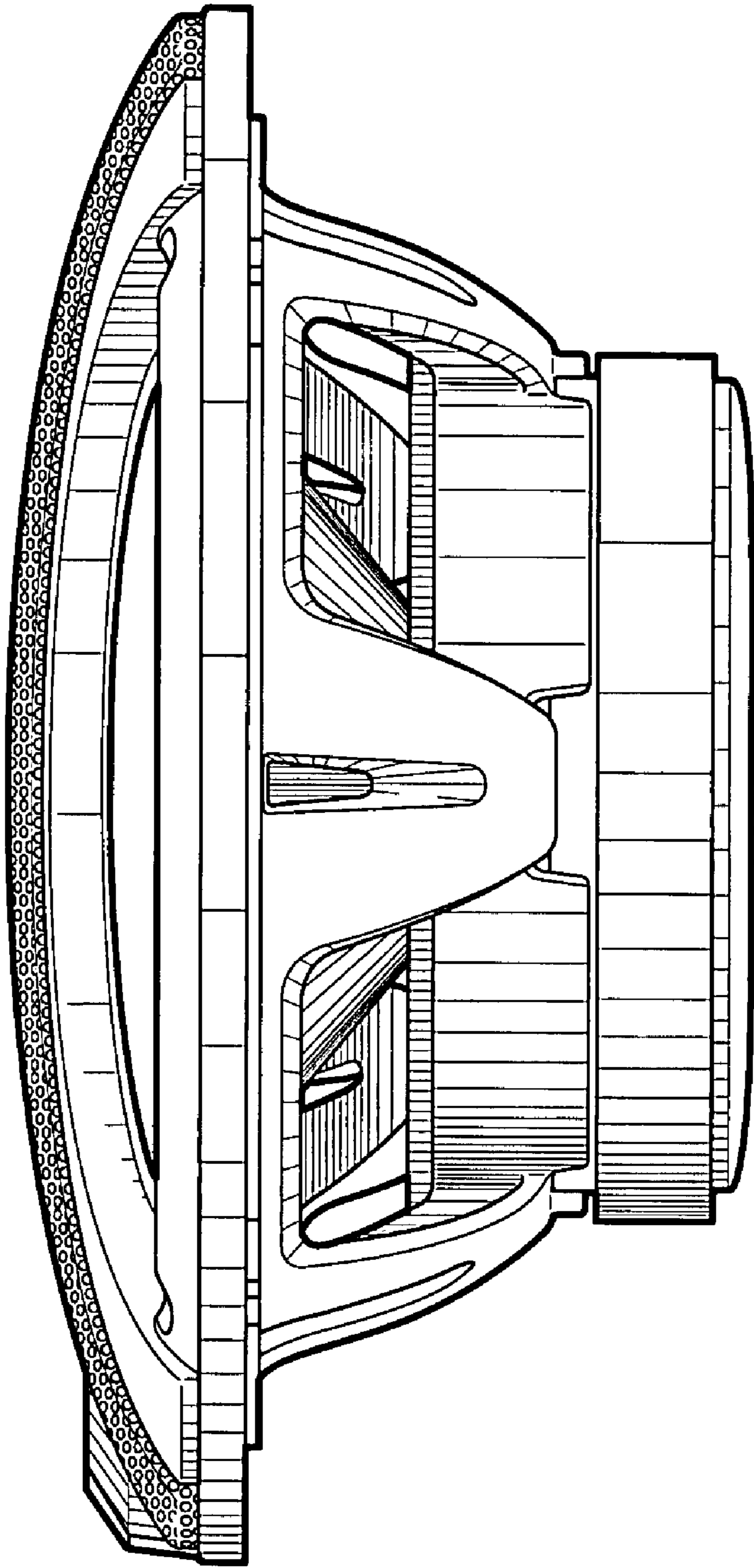


Fig. 4

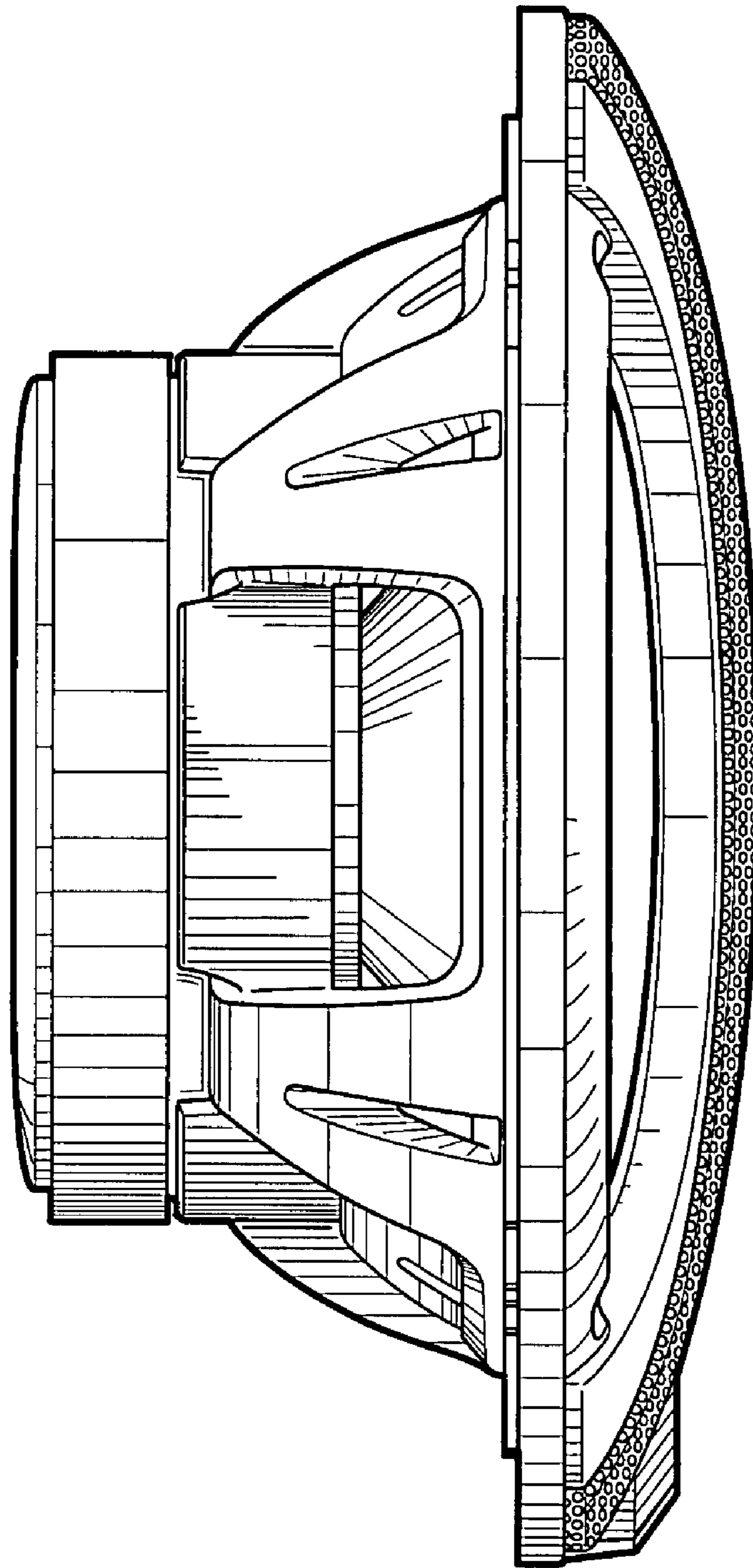


Fig. 5

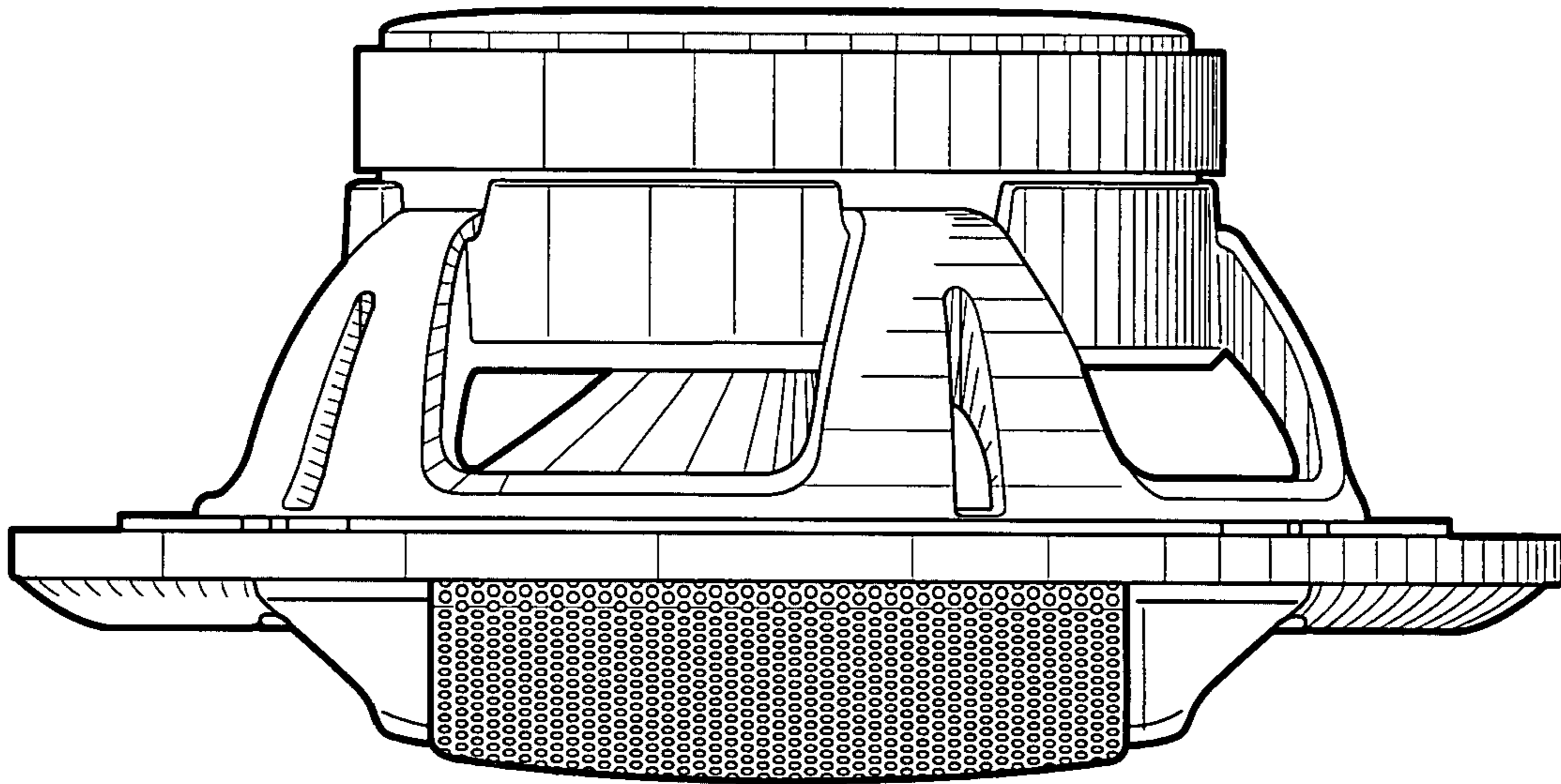


Fig. 6

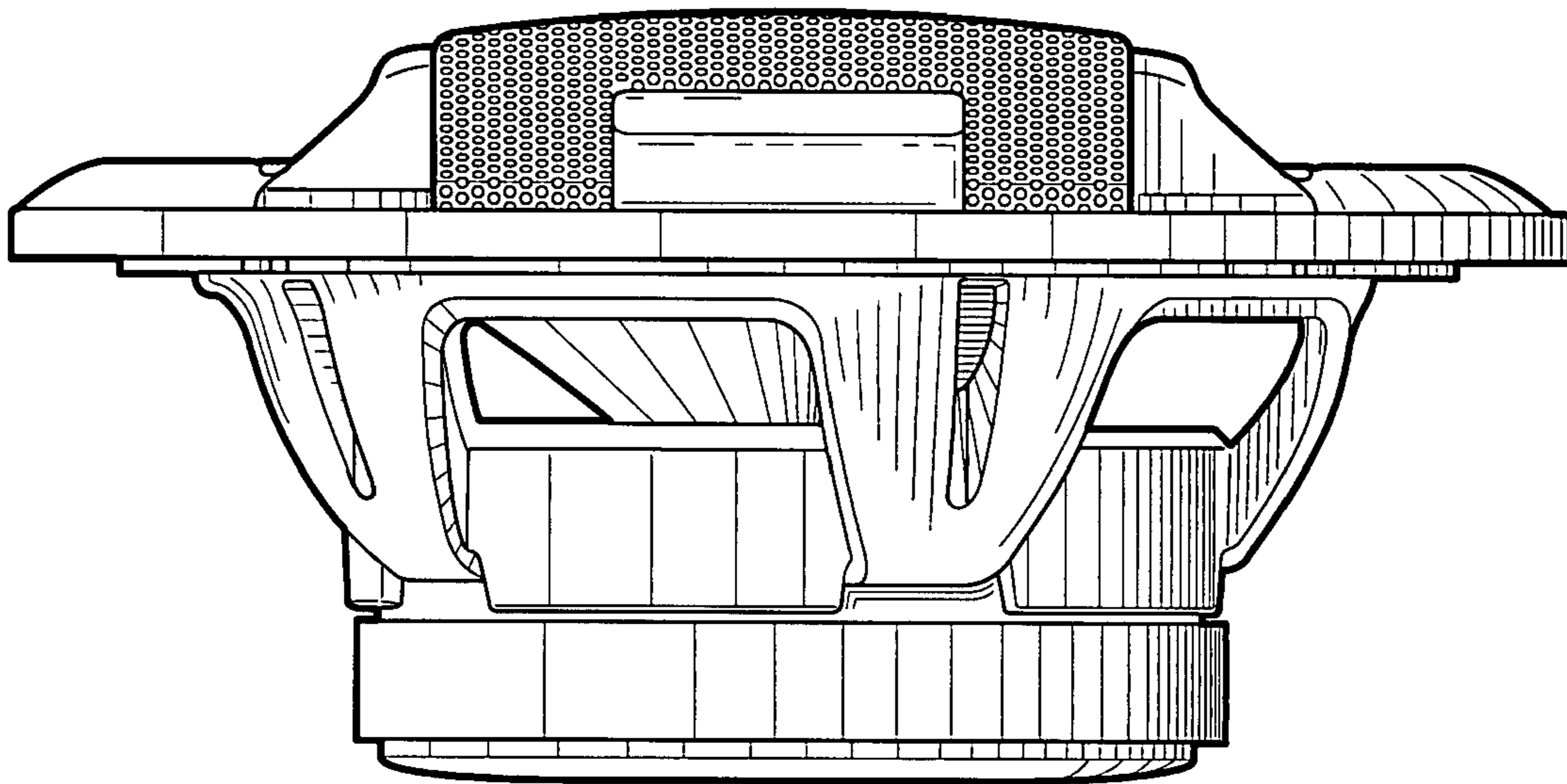


Fig. 7